



US00D849093S

(12) **United States Design Patent** (10) **Patent No.:** **US D849,093 S**
Bull et al. (45) **Date of Patent:** **** May 21, 2019**

(54) **MONITORING CAMERA**

(71) Applicant: **Axis AB**, Lund (SE)

(72) Inventors: **David Bull**, Lund (SE); **Daniel Ahman**, Lomma (SE); **Morten Bergstrom**, Lund (SE); **Jan Ryzak**, Malmo (SE); **Mathias Walter**, Arlov (SE); **John Akesson**, Lund (SE)

(73) Assignee: **AXIS AB**, Lund (SE)

(**) Term: **15 Years**

(21) Appl. No.: **29/600,708**

(22) Filed: **Apr. 14, 2017**

(30) **Foreign Application Priority Data**

Oct. 17, 2016 (EM) 003421262

(51) **LOC (11) Cl.** **16-01**

(52) **U.S. Cl.**
USPC **D16/203**

(58) **Field of Classification Search**
USPC D16/200, 202-208, 218, 219, 242;
348/143, 148, 151, 373-376; 396/419,
396/427, 535, 539-541; 248/176.1, 187.1
CPC G03B 17/02; G03B 19/04; G03B 17/56;
G03B 17/04; G03B 15/03; H04N 5/2251;
H04N 5/2252; H04N 5/2253; H04N
5/2254; H04N 7/181; H04N 7/183; H04N
7/18

See application file for complete search history.

(56) **References Cited**

U.S. PATENT DOCUMENTS

D409,641 S * 5/1999 Uehara D16/202
D540,360 S * 4/2007 Yamakawa D16/203
D612,410 S 3/2010 Deurwaarder
D638,871 S 5/2011 Bergstrom et al.
D642,607 S * 8/2011 Bergstrom D16/203

D643,454 S * 8/2011 Zaliauskas D16/202
D666,660 S * 9/2012 Amit D16/203
D672,382 S 12/2012 Zeinoun et al.
D684,619 S * 6/2013 Chapple D16/203
D691,187 S * 10/2013 Seo D16/203
D711,953 S 8/2014 Isozaki
D739,888 S * 9/2015 Liang D16/203
D741,933 S * 10/2015 Bergstrom D16/203
D744,022 S * 11/2015 Petty D16/202
D748,710 S * 2/2016 Bergstrom D16/203

(Continued)

FOREIGN PATENT DOCUMENTS

EM 002655027-0001 3/2015
EM 002655027-0002 3/2015

OTHER PUBLICATIONS

http://www.axis.com/files/image_gallery/ph_m103_left.jpg. (Mar. 9, 2015).

(Continued)

Primary Examiner — Ramzi S Almatrahi

(74) *Attorney, Agent, or Firm* — Volpe and Koenig, P.C.

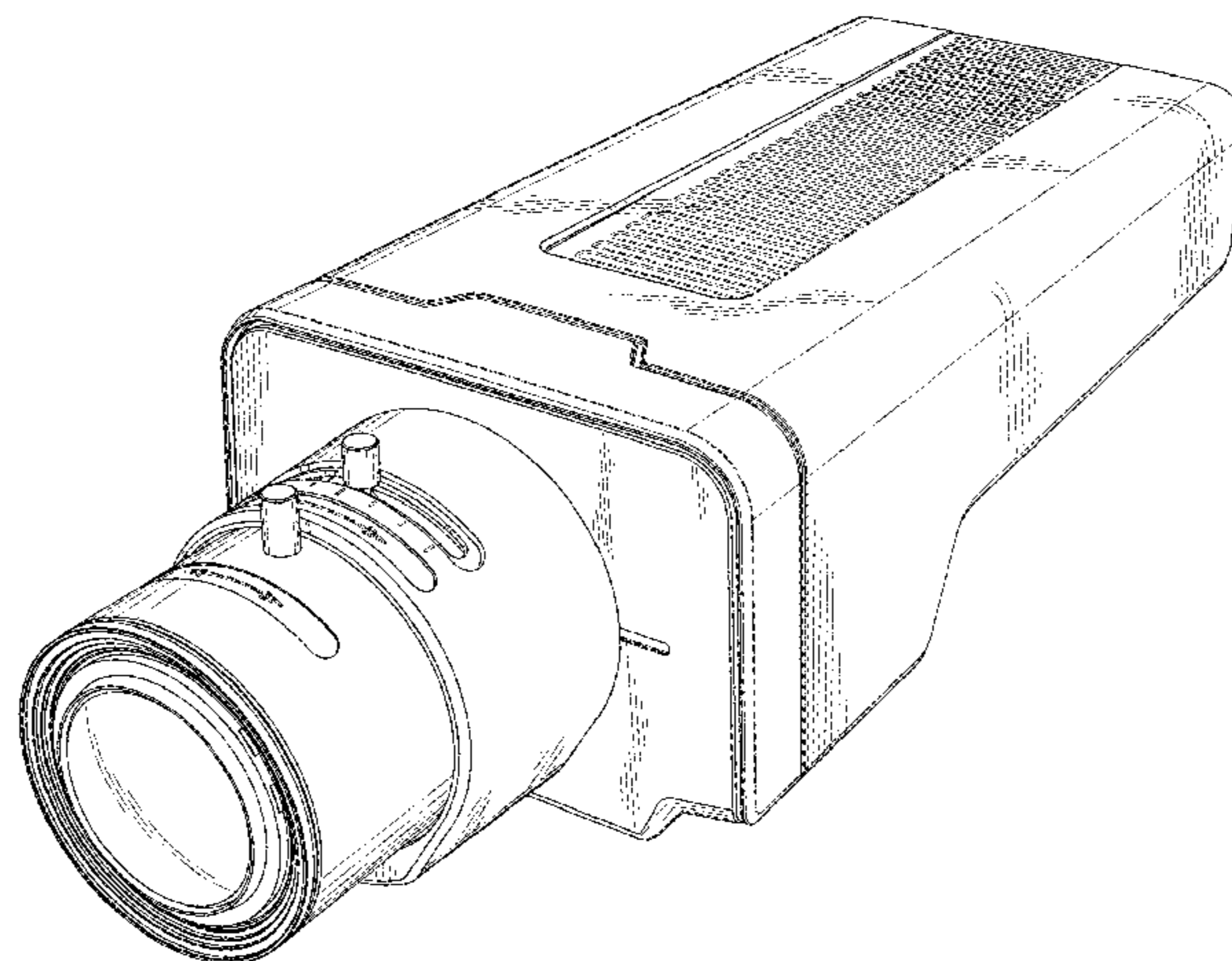
(57) **CLAIM**

The ornamental design for a monitoring camera, as shown and described.

DESCRIPTION

FIG. 1 is a perspective view of a monitoring camera in accordance with our design;
FIG. 2 is a top plan view thereof;
FIG. 3 is a right side elevational view thereof;
FIG. 4 is a left side elevational view thereof;
FIG. 5 is a bottom plan view thereof;
FIG. 6 is a front elevational view thereof; and,
FIG. 7 is a rear elevational view thereof.
The broken lines depict portions of the monitoring camera in which the design is embodied that form no part of the claimed design.

1 Claim, 4 Drawing Sheets



(56)

References Cited

U.S. PATENT DOCUMENTS

D809,046 S 1/2018 Hatcher et al.
D812,670 S 3/2018 Andersson et al.
D815,176 S 4/2018 Ahman et al.
D826,305 S 8/2018 Ahman et al.
D827,013 S 8/2018 Ahman et al.
D827,691 S 9/2018 Zhong
D827,692 S 9/2018 Ahman et al.
2011/0052179 A1* 3/2011 Jung H04N 5/2252
396/427

OTHER PUBLICATIONS

http://www.axis.com/files/image_gallery/ph_p1311_leftangle_1012.jpg. (Mar. 9, 2015).
http://www.axis.com/files/image_gallery/q1614_wall_angle_left_1310_hi.jpg. (Mar. 9, 2015).
http://www.axis.com/files/image_gallery/ph_q1755_left.jpg. (Mar. 9, 2015).
http://www.axis.com/files/image_gallery/140_bjc/ph_m143_m1144_left.jpg (Mar. 9, 2015).

* cited by examiner

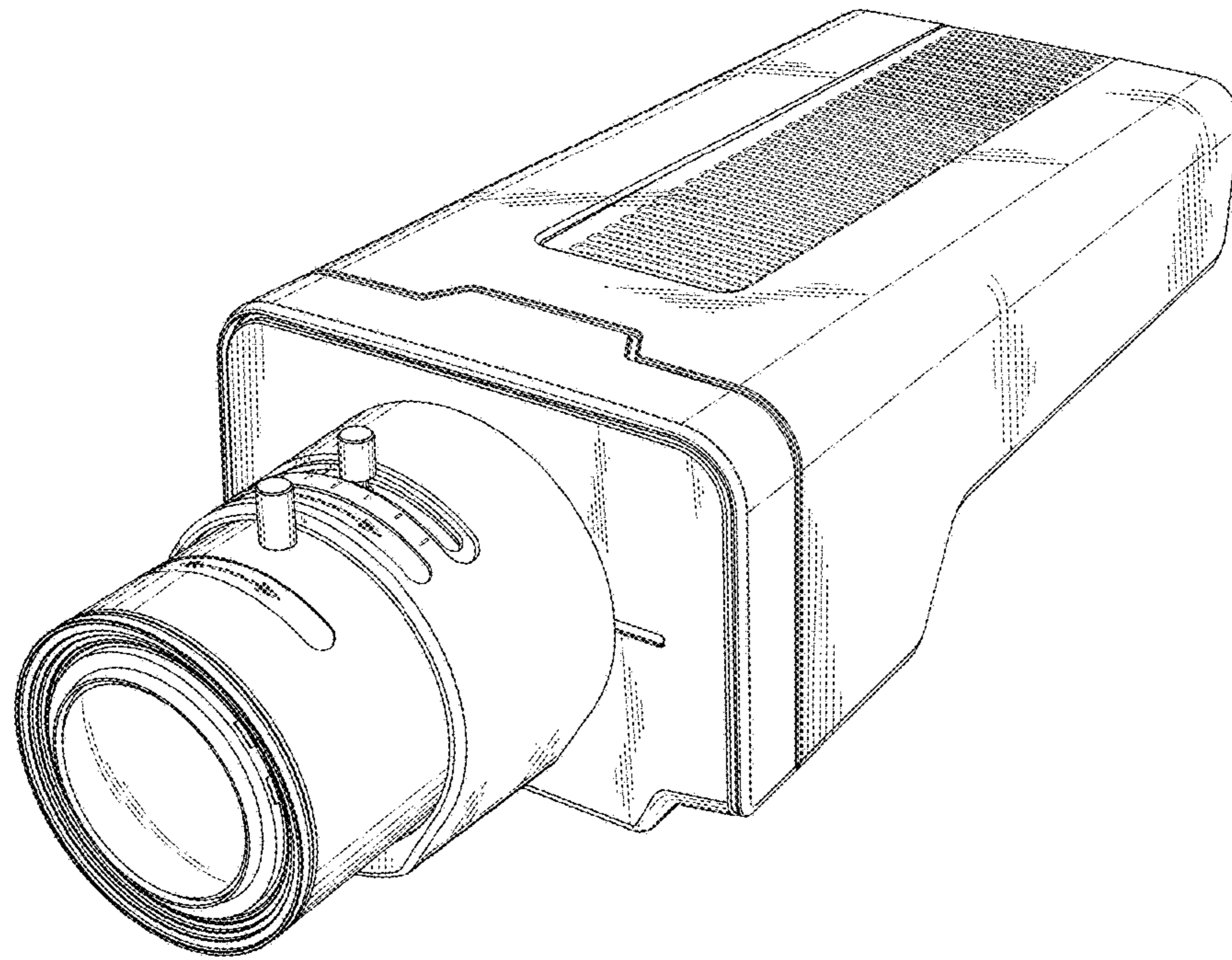


Fig. 1

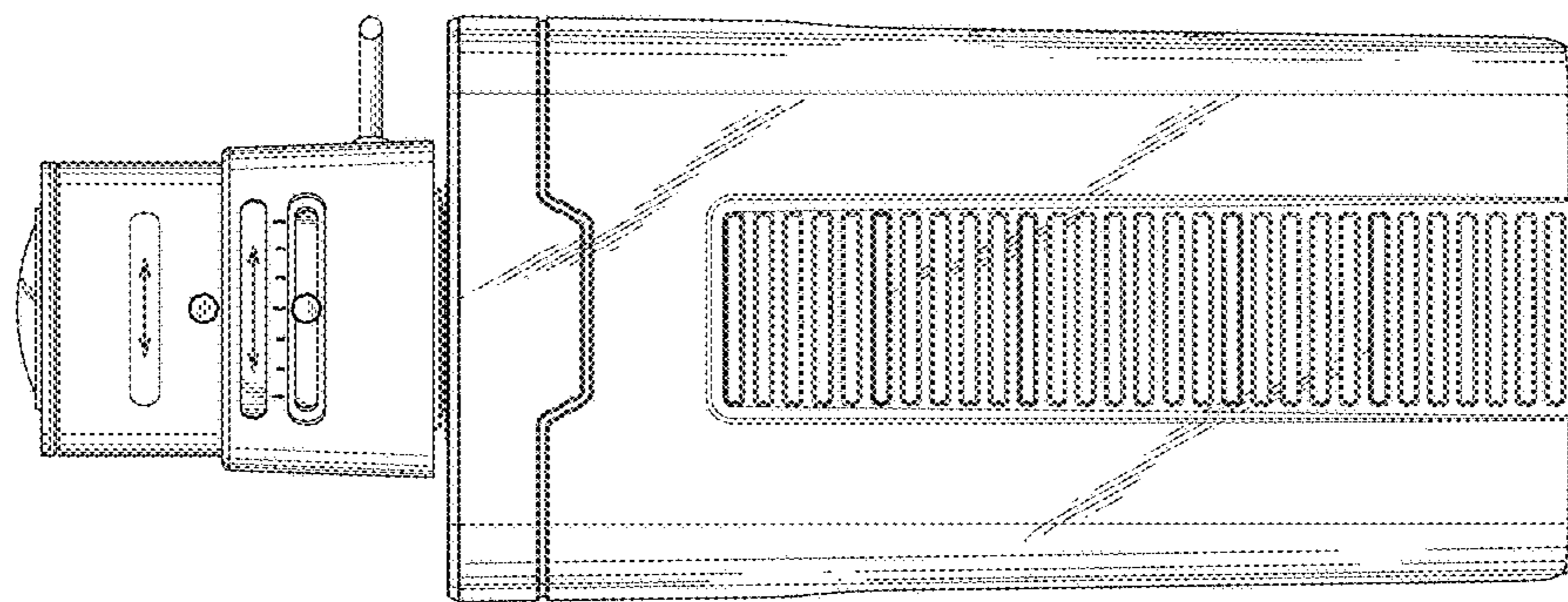


Fig. 2

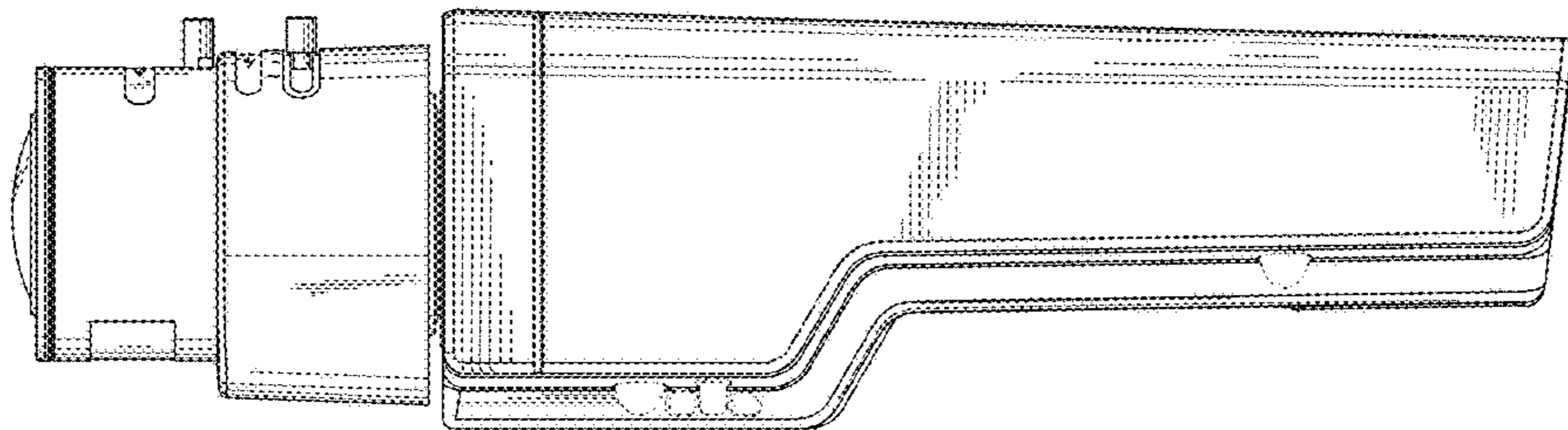


Fig. 3

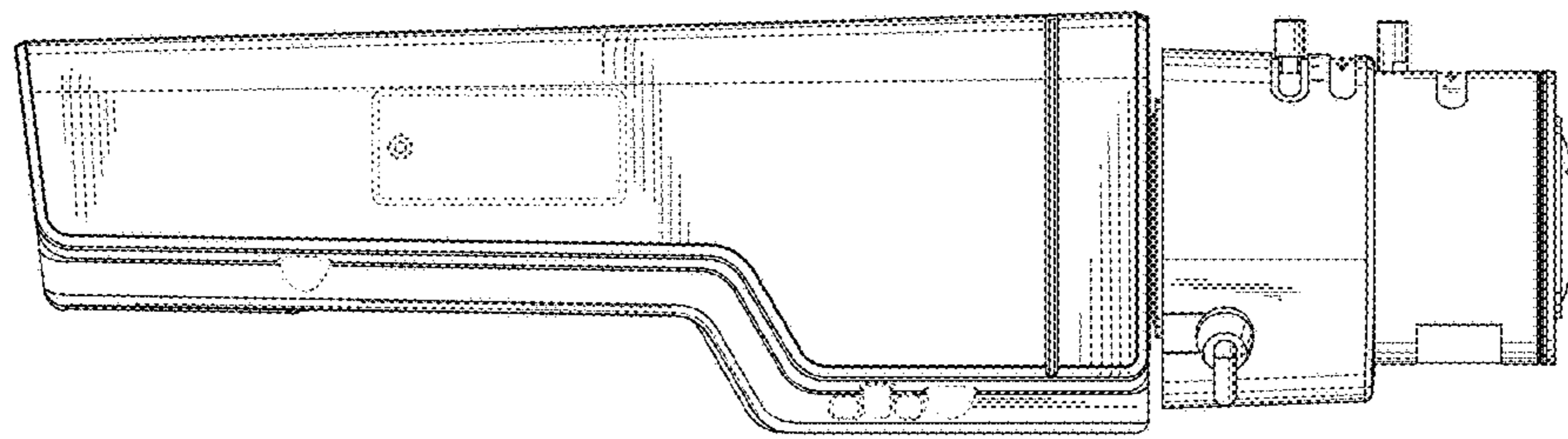


Fig. 4

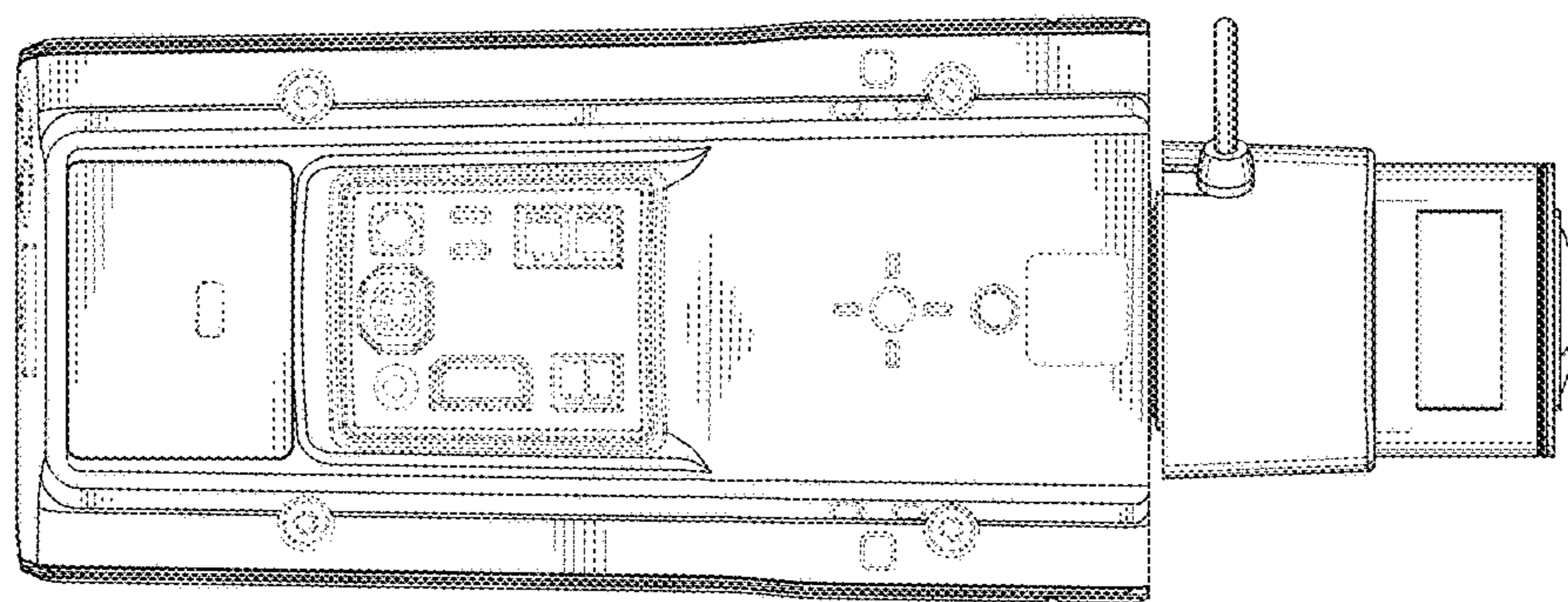


Fig. 5

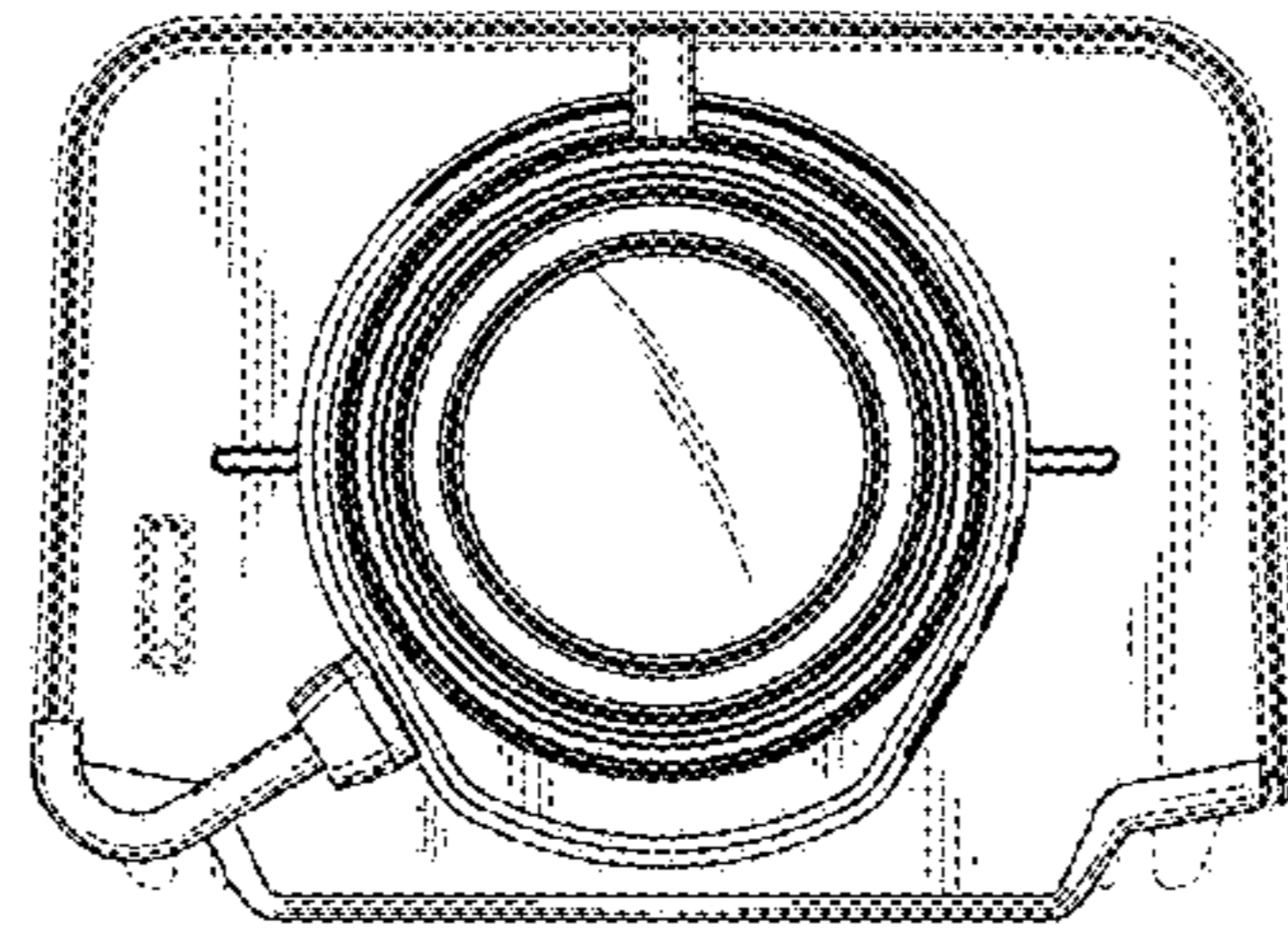


Fig. 6

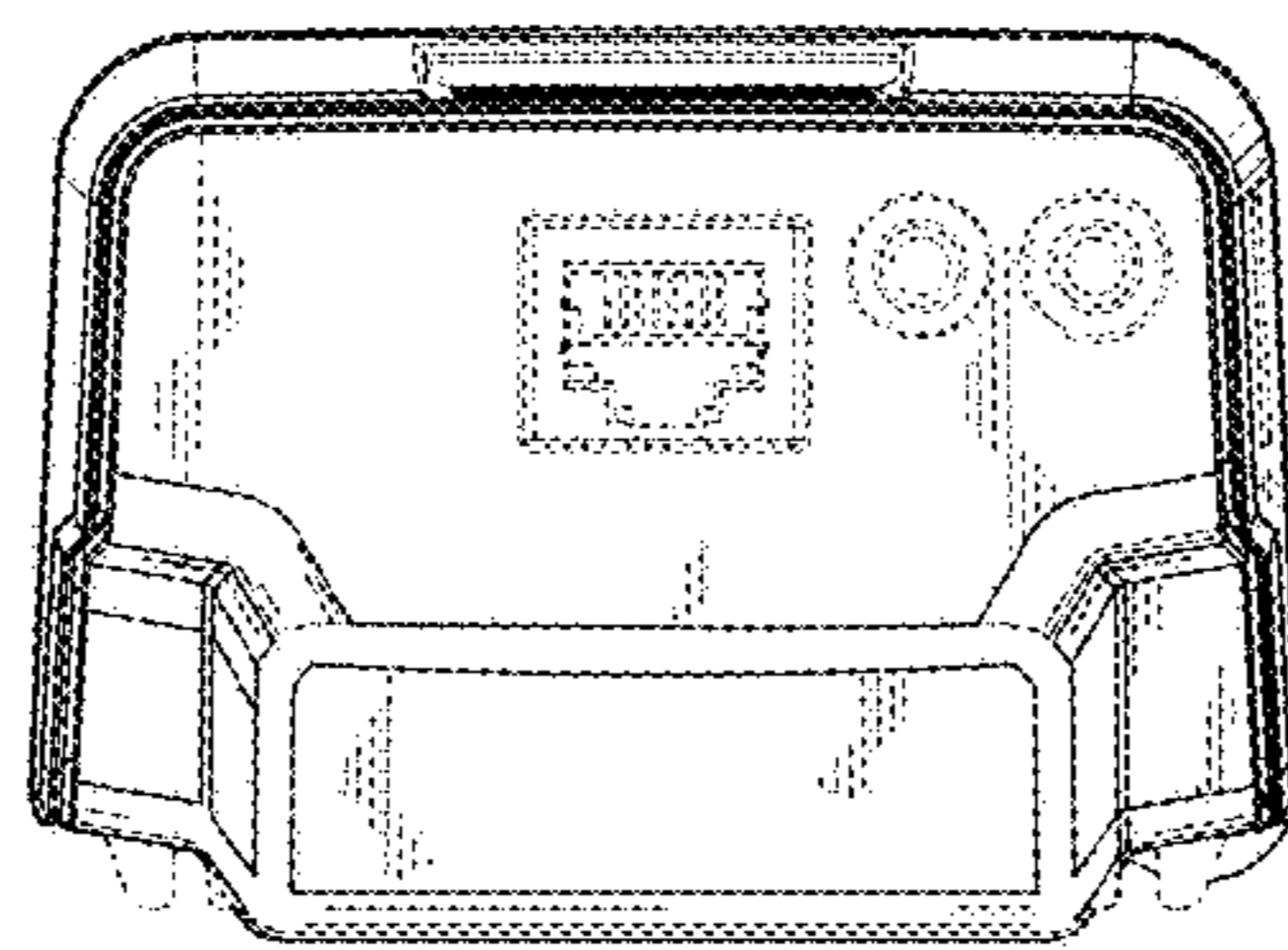


Fig. 7