



US00D849092S

(12) **United States Design Patent**
Portela et al.

(10) **Patent No.:** **US D849,092 S**
(45) **Date of Patent:** **** May 21, 2019**

(54) **MONITORING CAMERA**

(71) Applicant: **AXIS AB**, Lund (SE)

(72) Inventors: **Rafael Portela**, Malmo (SE); **Ulf Lundberg**, Lund (SE); **Ola Andersson**, Helsingborg (SE); **Jens Pahlitzsch**, Lund (SE); **Daniel Ahman**, Lomma (SE); **Morten Bergstrom**, Lund (SE); **Mathias Walter**, Arlov (SE)

(73) Assignee: **AXIS AB**, Lund (SE)

(**) Term: **15 Years**

(21) Appl. No.: **29/590,872**

(22) Filed: **Jan. 13, 2017**

(30) **Foreign Application Priority Data**

Jul. 14, 2016 (EM) 003305630

(51) **LOC (11) Cl.** **16-01**

(52) **U.S. Cl.**
USPC **D16/203**

(58) **Field of Classification Search**
USPC D16/200, 202–206, 208, 218, 219, 242;
348/143, 148, 151, 373–376; 396/419,
396/427, 535, 539–541
CPC G03B 17/02; G03B 19/04; G03B 17/56;
G03B 17/04; G03B 15/03; H04N 5/2251;
H04N 5/2252; H04N 5/2253; H04N
5/2254; H04N 7/181; H04N 7/183; H04N
7/18; G08B 13/1963; G08B 13/19619;
G08B 13/19632; F16M 11/04; F16M
13/00

See application file for complete search history.

(56) **References Cited**

U.S. PATENT DOCUMENTS

3,916,097 A 10/1975 Imai
5,689,304 A 11/1997 Jones et al.

D414,504 S 9/1999 Madden
D424,087 S 5/2000 Frick et al.
6,061,087 A 5/2000 Schieltz et al.
6,322,258 B1 11/2001 Ryan et al.
D457,904 S 5/2002 Toste et al.
6,735,382 B2 5/2004 Schneider
D542,319 S * 5/2007 Ishida D16/202
D550,738 S 9/2007 Hsia
D552,650 S 10/2007 Yamakawa et al.
D552,651 S 10/2007 Arbuckle
D562,870 S 2/2008 Komatsu et al.
D564,005 S 3/2008 Cheng

(Continued)

FOREIGN PATENT DOCUMENTS

EM 001113641-0002 7/2009
TW D157409 11/2013

OTHER PUBLICATIONS

AXIS Communications Data Sheet, AXIS Q63032-E PTZ Dome Network Camera, Advanced, outdoor-ready PTZ dome for demanding surveillance, Jan. 2013.

Primary Examiner — Ramzi S Almatrahi

(74) *Attorney, Agent, or Firm* — Volpe and Koenig, P.C.

(57) **CLAIM**

We claim the ornamental design for a monitoring camera, as shown and described.

DESCRIPTION

FIG. 1 is a perspective view of a monitoring camera showing our new design;

FIG. 2 is a front elevational view thereof;

FIG. 3 is a left side elevational view thereof;

FIG. 4 is a right side elevational view thereof;

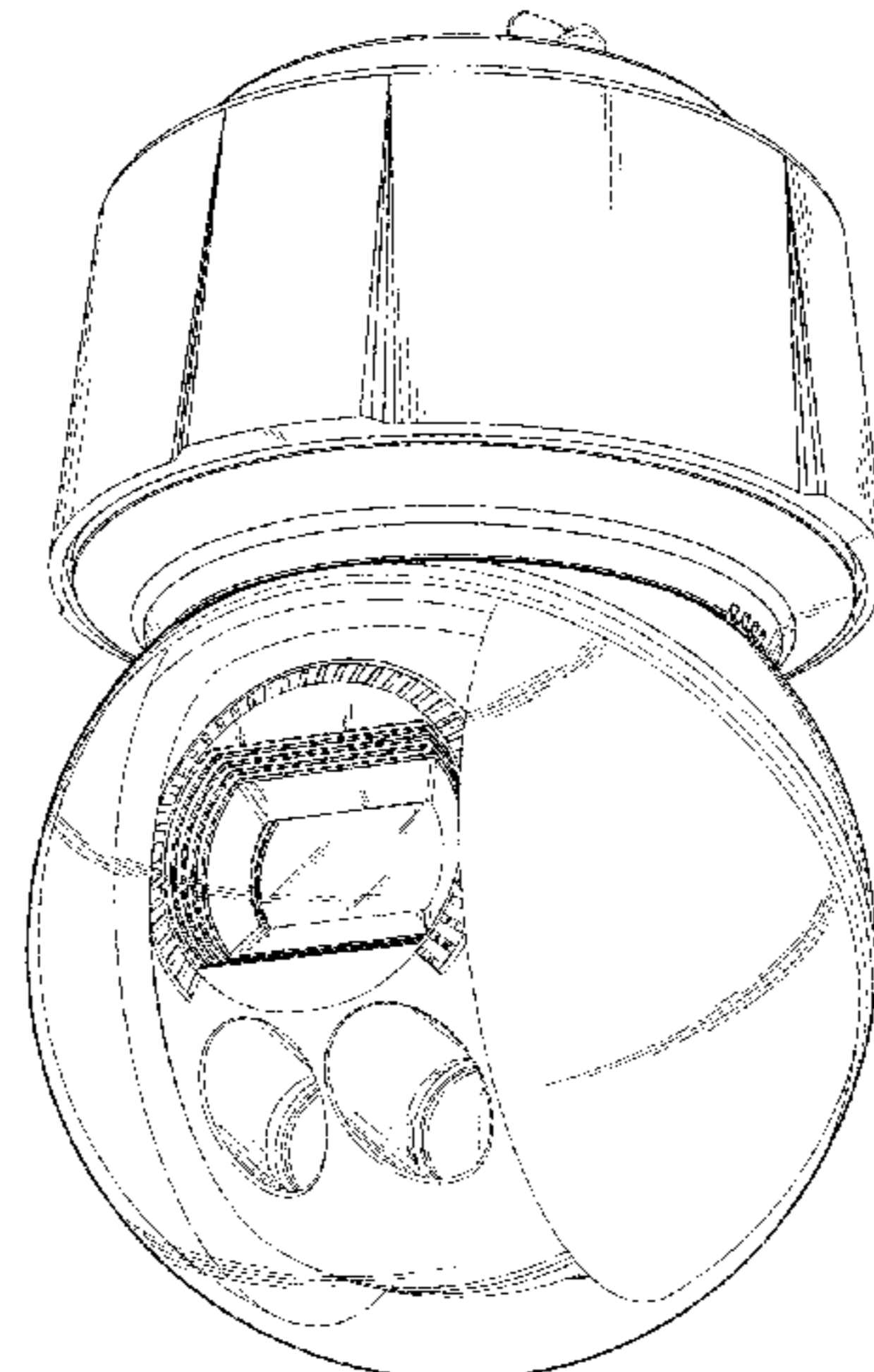
FIG. 5 is a rear elevational view thereof;

FIG. 6 is a bottom plan view thereof; and,

FIG. 7 is a top plan view thereof.

The broken lines represent portions of the monitoring camera that form no part of the claimed design.

1 Claim, 6 Drawing Sheets



(56)

References Cited

U.S. PATENT DOCUMENTS

D574,870 S *	8/2008	Takahashi	D16/202	D719,208 S	12/2014	Mohan	
D597,117 S *	7/2009	Yamane	D16/203	D731,579 S	6/2015	Bart et al.	
D603,441 S	11/2009	Wada et al.		D734,379 S	7/2015	Tankersley et al.	
D626,984 S *	11/2010	Miyaji	D16/202	D741,931 S	10/2015	Huang et al.	
D633,931 S	3/2011	Ham		D751,619 S *	3/2016	Jeong	D16/203
D636,804 S	4/2011	Anneback et al.		D753,204 S *	4/2016	Luo	D16/202
D636,805 S	4/2011	Anneback et al.		D753,206 S	4/2016	Ravat	
D639,328 S	6/2011	Zeinoun et al.		D753,752 S	4/2016	Ahman et al.	
D639,843 S	6/2011	Zeinoun et al.		D771,173 S *	11/2016	Hinkel	D16/203
D655,328 S	3/2012	Anneback et al.		D776,739 S	1/2017	Urashima	
8,131,145 B2	3/2012	Scheucher		D783,076 S *	4/2017	Ravat	D16/203
D662,120 S	6/2012	Deurwaarder		D802,044 S	11/2017	Wu et al.	
D673,989 S	1/2013	Ying et al.		D813,926 S	3/2018	Shin	
D701,258 S	3/2014	Huang		D819,108 S	5/2018	Wu et al.	
D702,275 S	4/2014	Ying		D820,337 S	6/2018	Li	
D704,240 S *	5/2014	McBride	D16/203	D824,984 S	8/2018	Zhiyong	
D705,334 S	5/2014	Fransson et al.		2002/0140850 A1	10/2002	Toste et al.	
D705,844 S	5/2014	Bart et al.		2006/0023113 A1	2/2006	Lin	
D708,654 S	7/2014	Tani		2006/0024046 A1	2/2006	Jones et al.	
D719,202 S	12/2014	Lee		2007/0201862 A1 *	8/2007	Van Schaik	G08B 13/19619 396/427
				2010/0245569 A1 *	9/2010	Hakoishi	G08B 13/19619 348/143

* cited by examiner

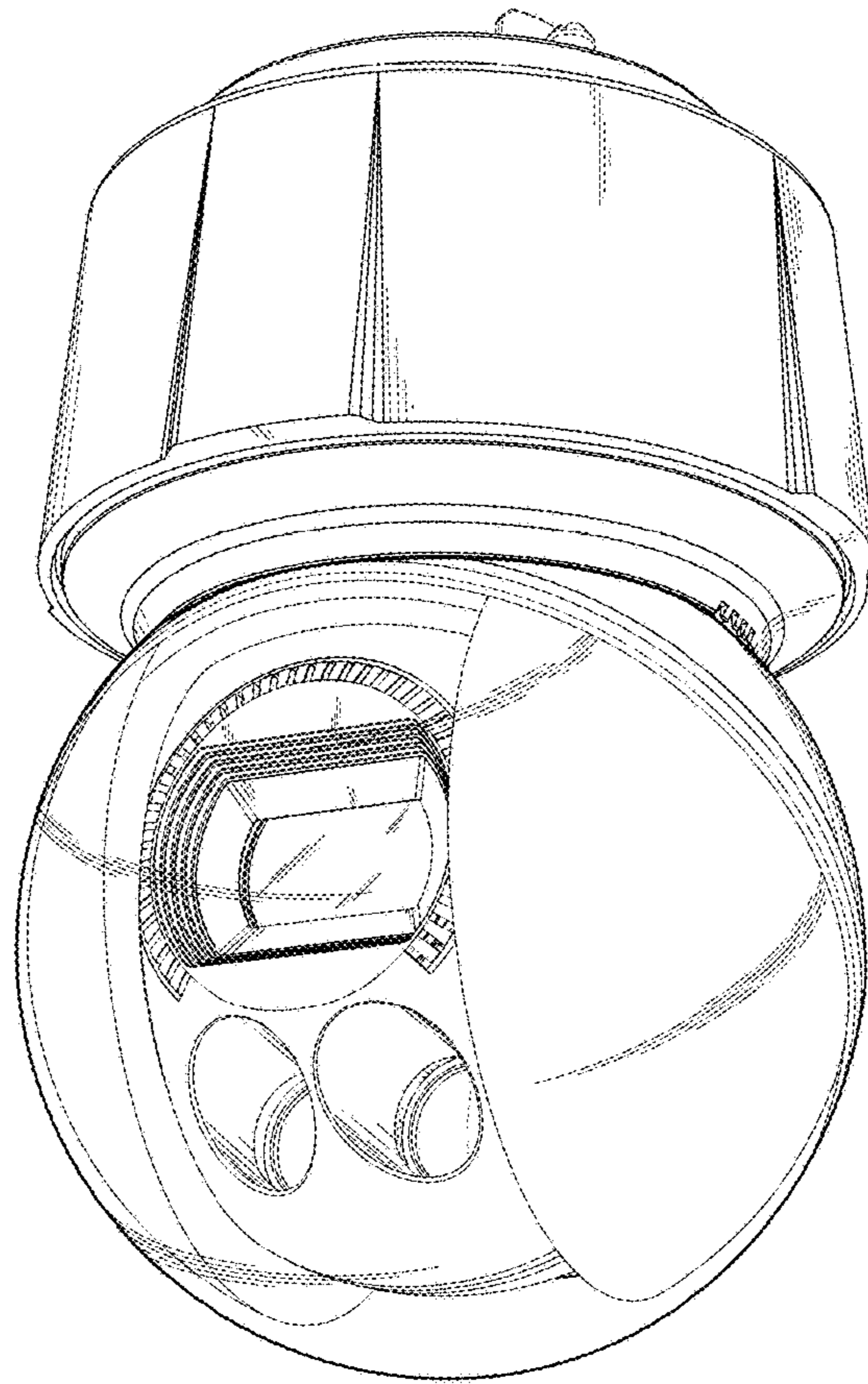


Fig. 1

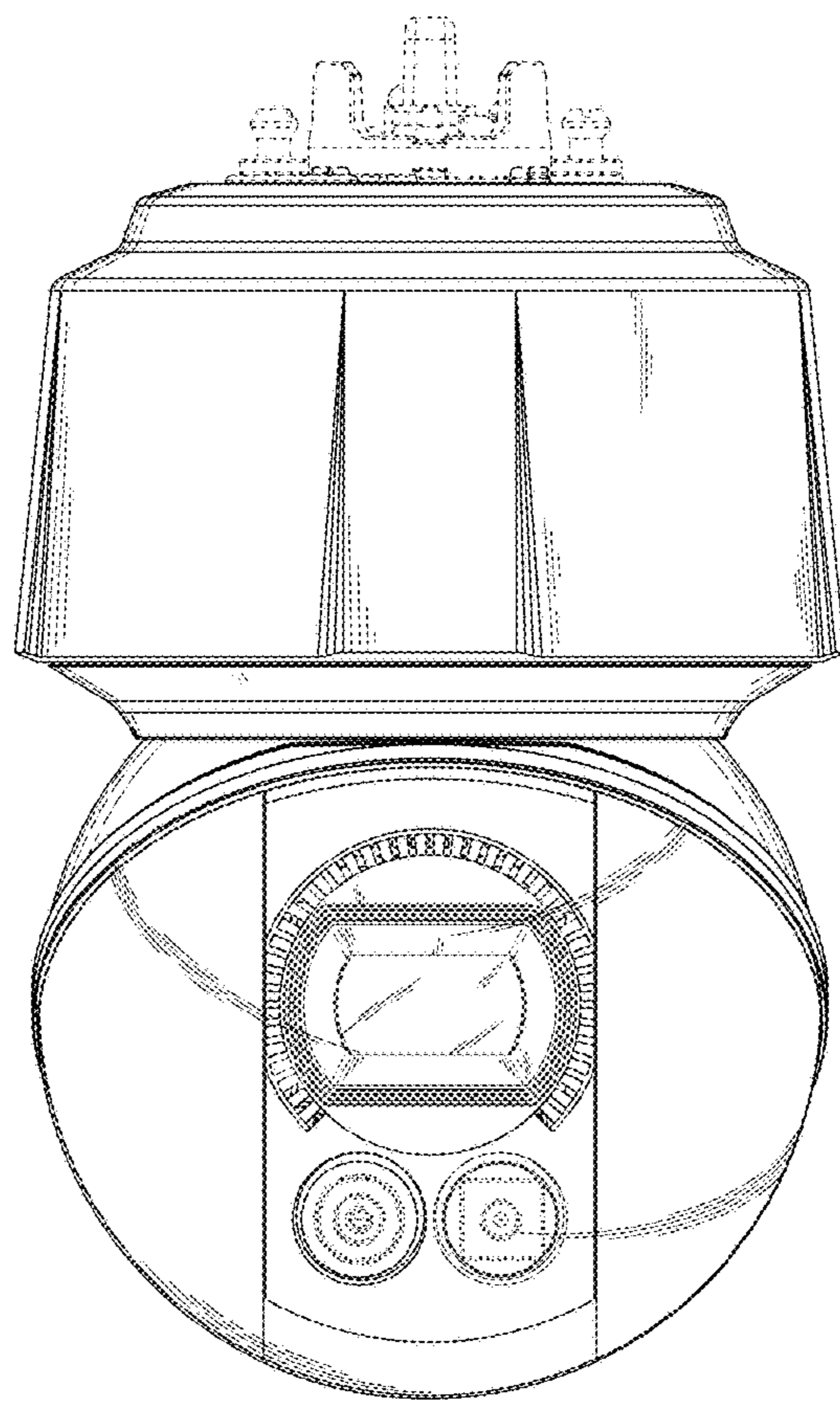


Fig. 2

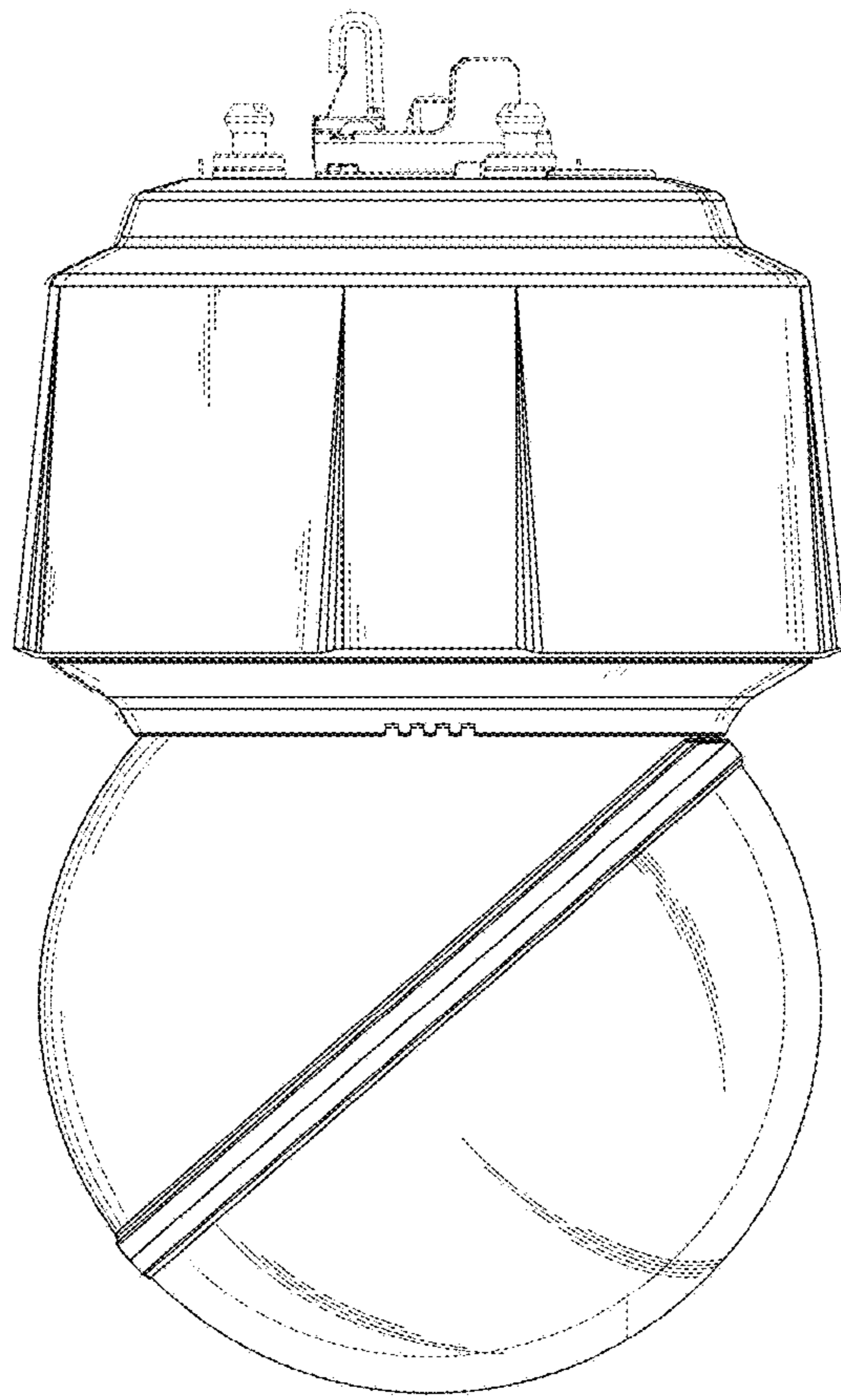


Fig. 3

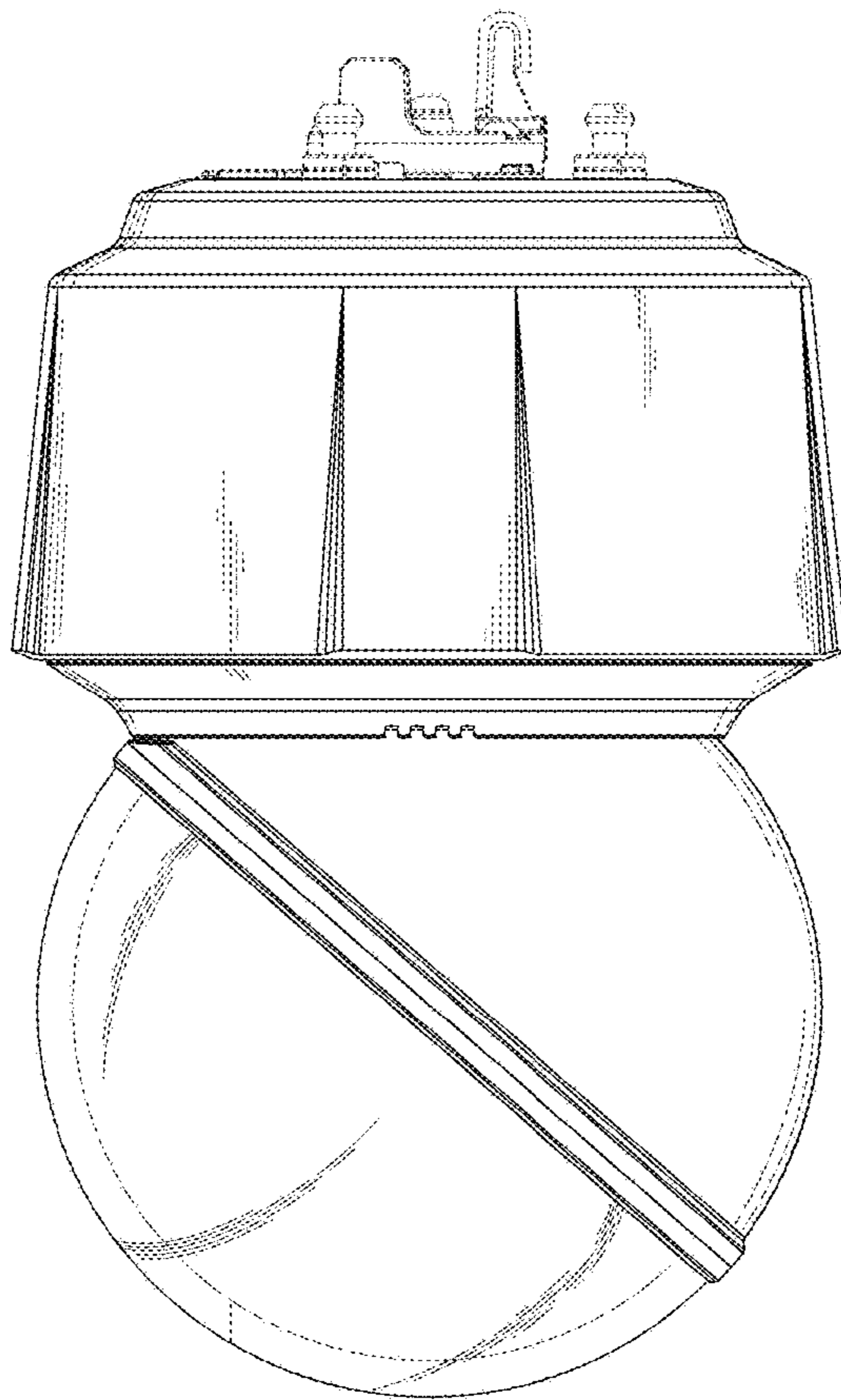


Fig. 4

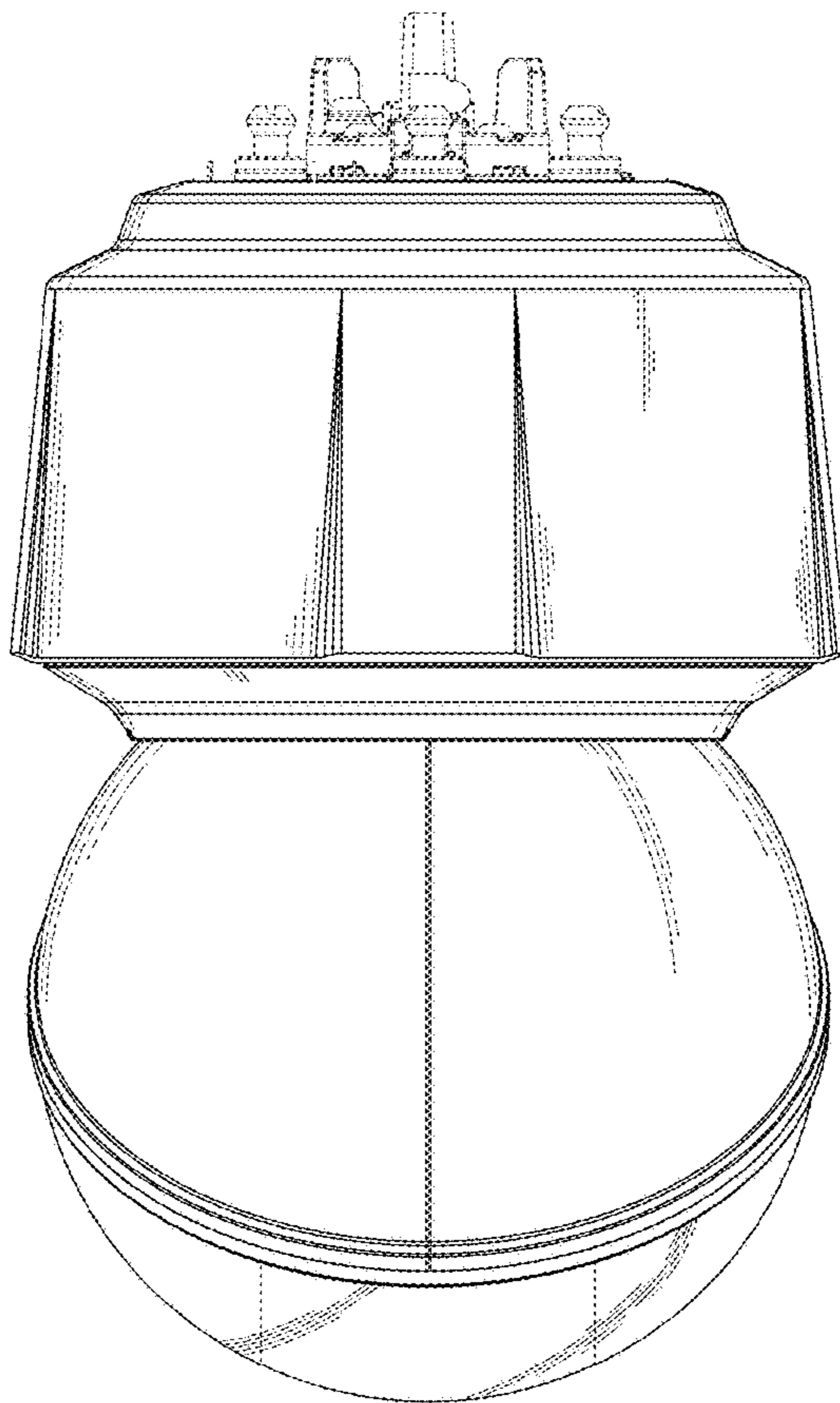


Fig. 5

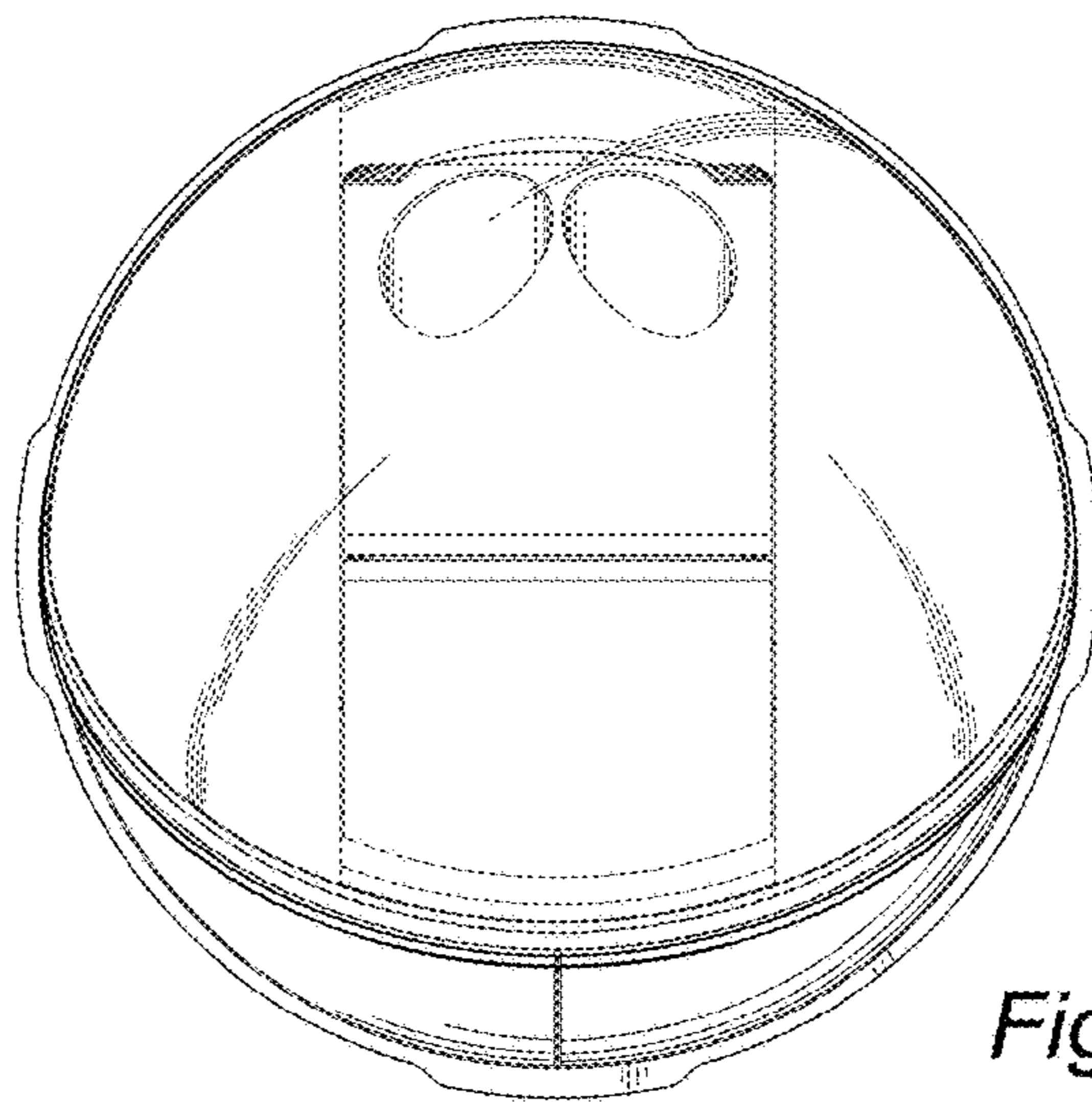


Fig. 6

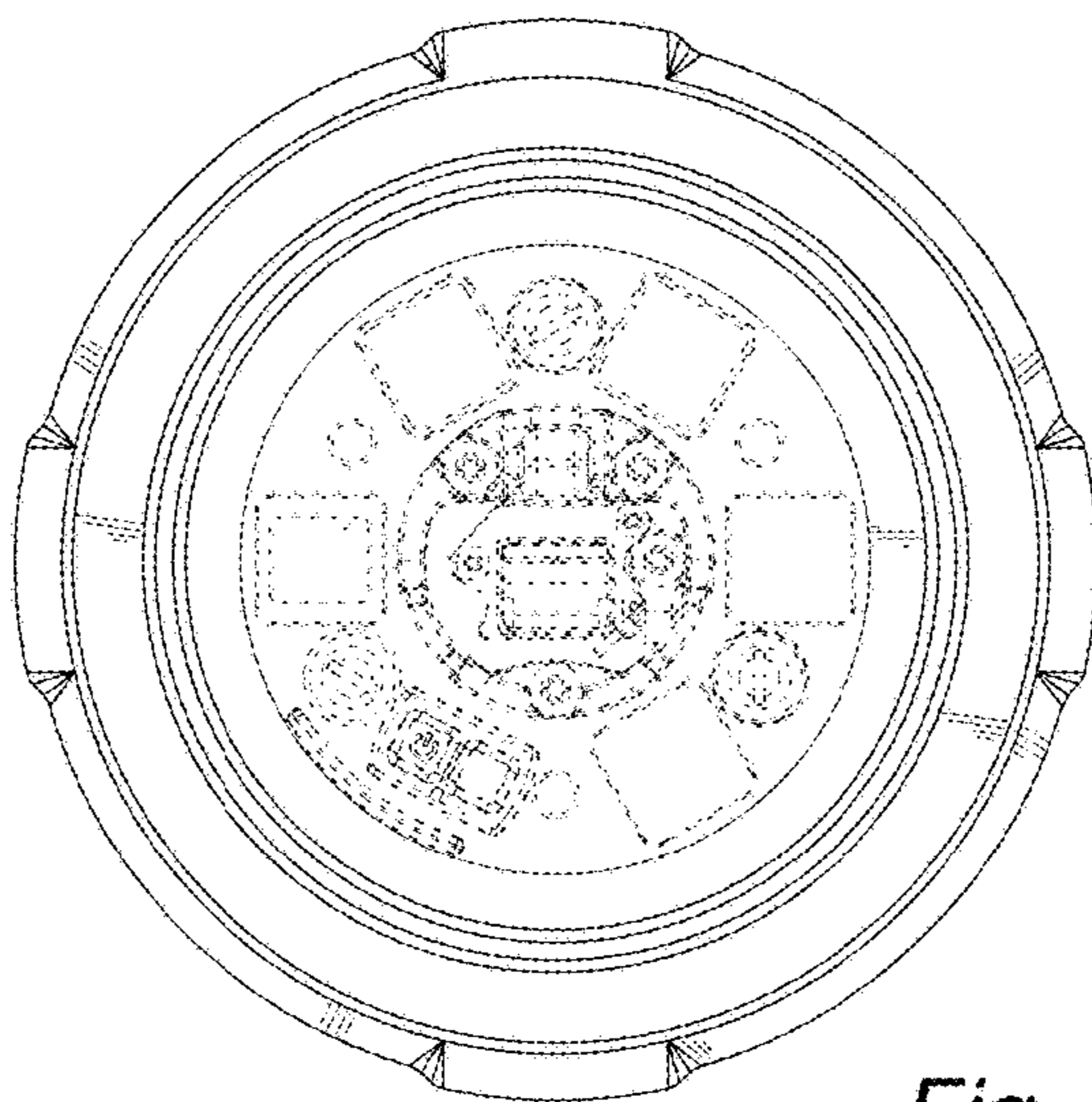


Fig. 7