

US00D849090S

(12) **United States Design Patent**
Hinkel

(10) **Patent No.:** **US D849,090 S**

(45) **Date of Patent:** **** May 21, 2019**

(54) **COMBINED CAMERA AND HOUSING**

(71) Applicant: **MOBOTIX AG**, Winnweiler (DE)

(72) Inventor: **Ralf Hinkel**, Höringen (DE)

(73) Assignee: **Mobotix AG**, Winnweiler (DE)

(**) Term: **15 Years**

(21) Appl. No.: **29/533,789**

(22) Filed: **Jul. 22, 2015**

(30) **Foreign Application Priority Data**

Jan. 28, 2015 (EM) 002622134-0001
Jan. 28, 2015 (EM) 002622134-0002

(51) **LOC (11) Cl.** **16-01**

(52) **U.S. Cl.**
USPC **D16/203**

(58) **Field of Classification Search**
USPC D16/200, 202–208, 218, 219, 242;
348/143, 148, 151, 373–376; 396/419,
396/427, 535, 539–541; 248/176.1, 187.1
CPC G03B 17/02; G03B 19/04; G03B 17/56;
G03B 17/04; G03B 15/03; H04N 5/2251;
H04N 5/2252; H04N 5/2253; H04N
5/2254; H04N 7/181; H04N 7/183; H04N
7/18

See application file for complete search history.

(56) **References Cited**

U.S. PATENT DOCUMENTS

D426,250 S * 6/2000 Lefkowitz 396/427
8,382,386 B2 * 2/2013 Cheng G03B 17/02
396/427

D689,536 S * 9/2013 Li D16/203
D729,861 S * 5/2015 Huang D16/203
D750,684 S * 3/2016 Katori D16/203
D751,129 S * 3/2016 Lellky D16/203
D757,146 S * 5/2016 Walter D16/203
D769,344 S * 10/2016 Hinkel D16/203
D771,173 S * 11/2016 Hinkel D16/203
D771,174 S * 11/2016 Hinkel D16/203
D772,324 S * 11/2016 Hinkel D16/203

* cited by examiner

Primary Examiner — Ramzi S Almatrahi

(74) *Attorney, Agent, or Firm* — Faegre Baker Daniels
LLP

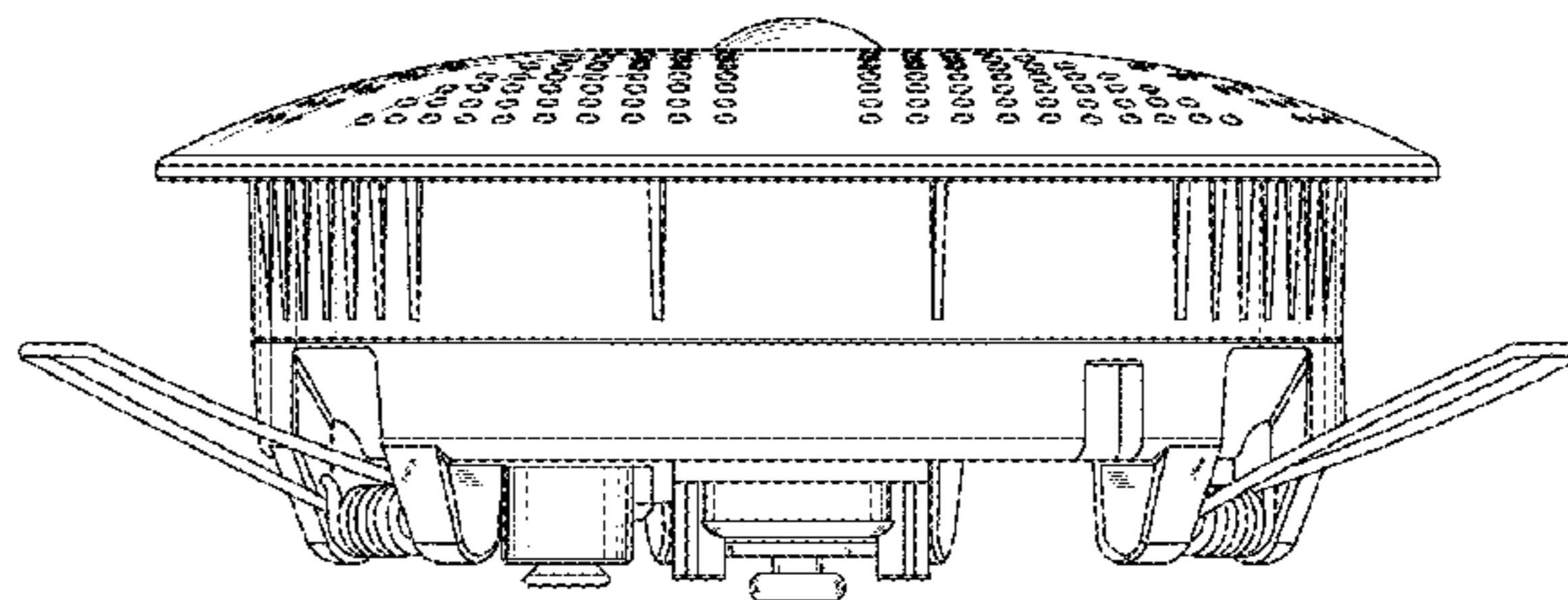
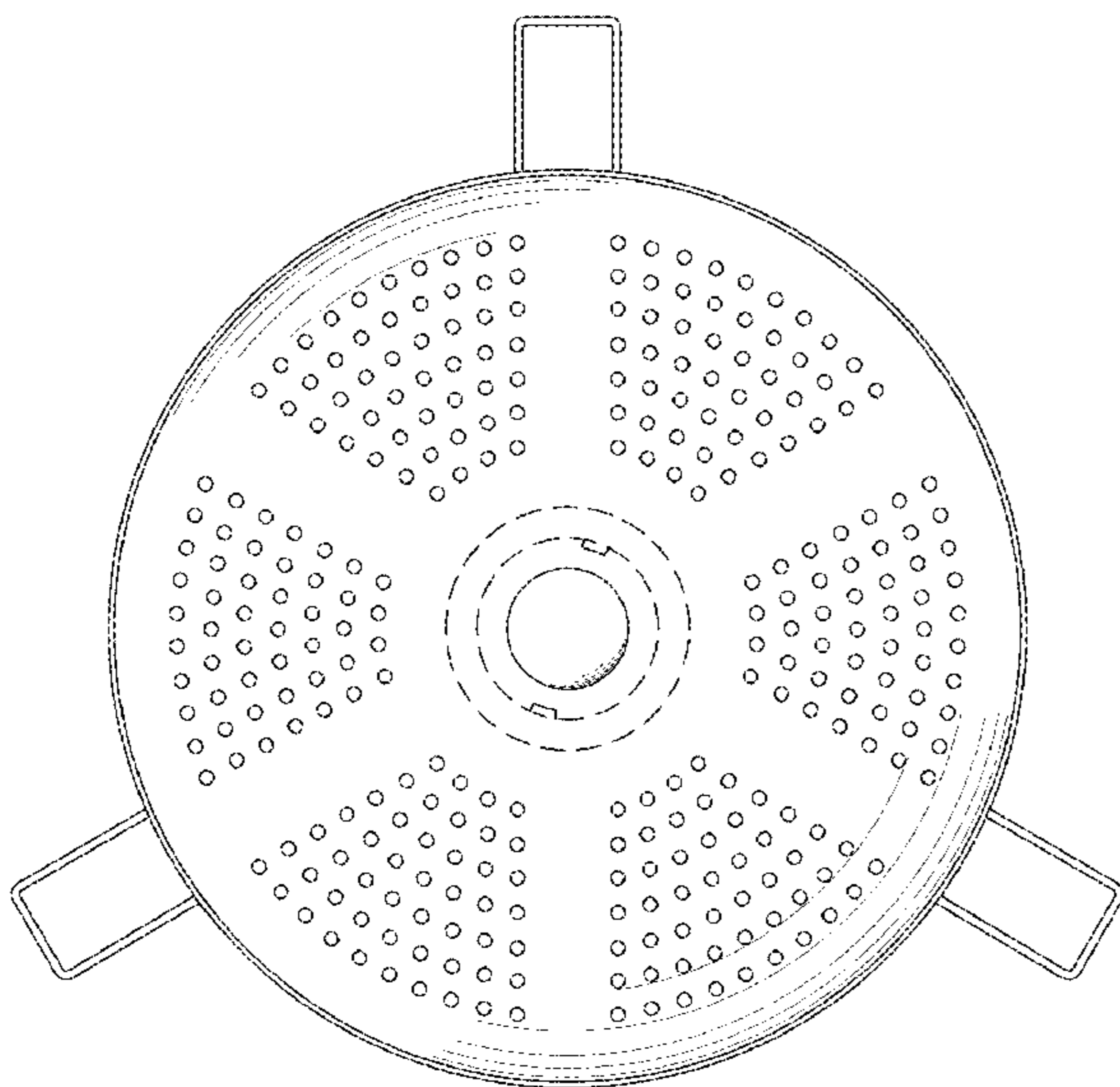
(57) **CLAIM**

The ornamental design for a combined camera and housing, as shown and described.

DESCRIPTION

FIG. 1 is a front elevational view of a combined camera and housing showing my new design;
FIG. 2 is a rear view of the combined camera and housing of FIG. 1;
FIG. 3 is a top view of the combined camera and housing of FIG. 1;
FIG. 4 is a right side view of the combined camera and housing of FIG. 1;
FIG. 5 is a left side view of the combined camera and housing of FIG. 1; and,
FIG. 6 is a bottom view of the combined camera and housing of FIG. 1.

1 Claim, 6 Drawing Sheets



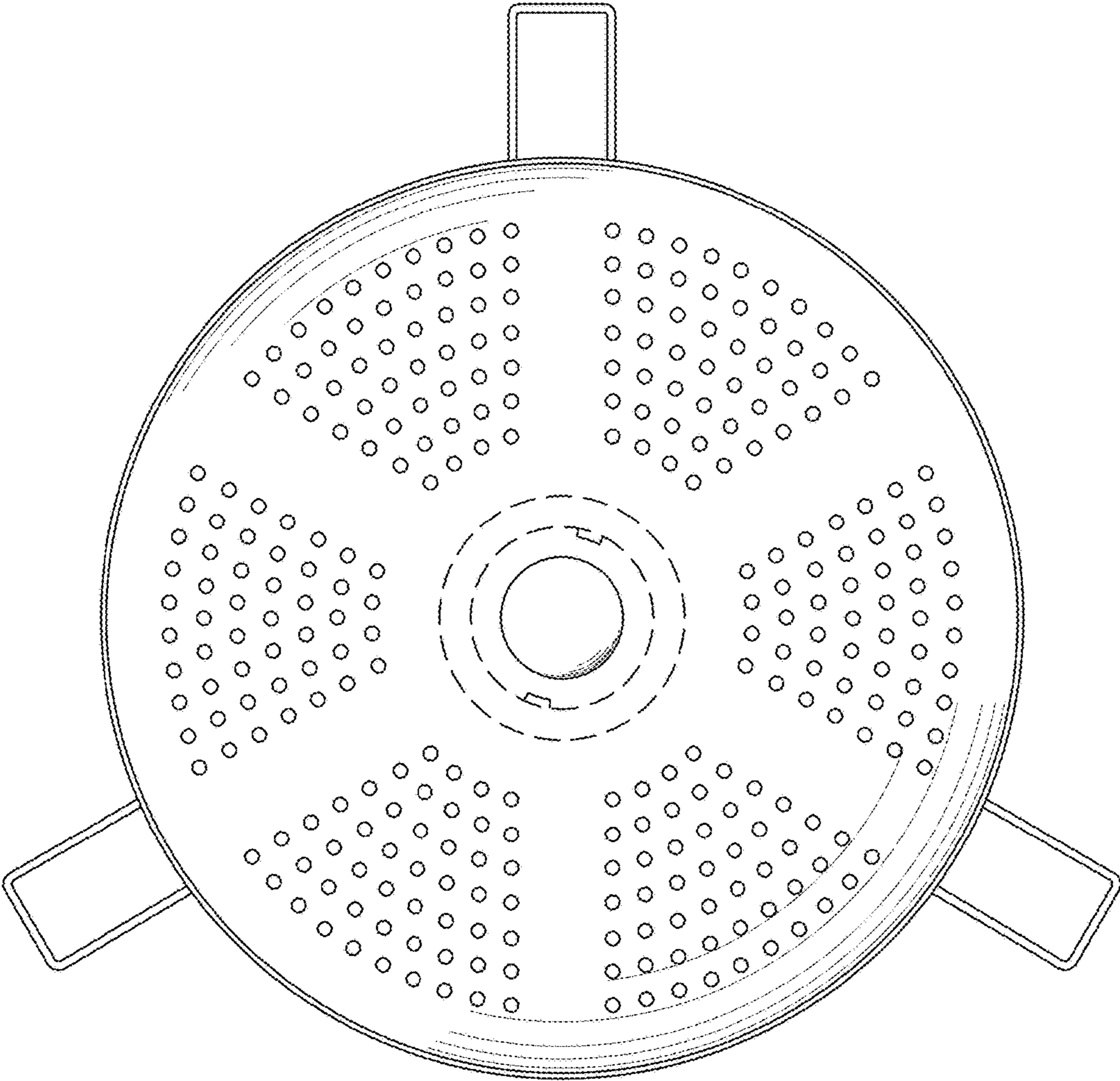


FIG. 1

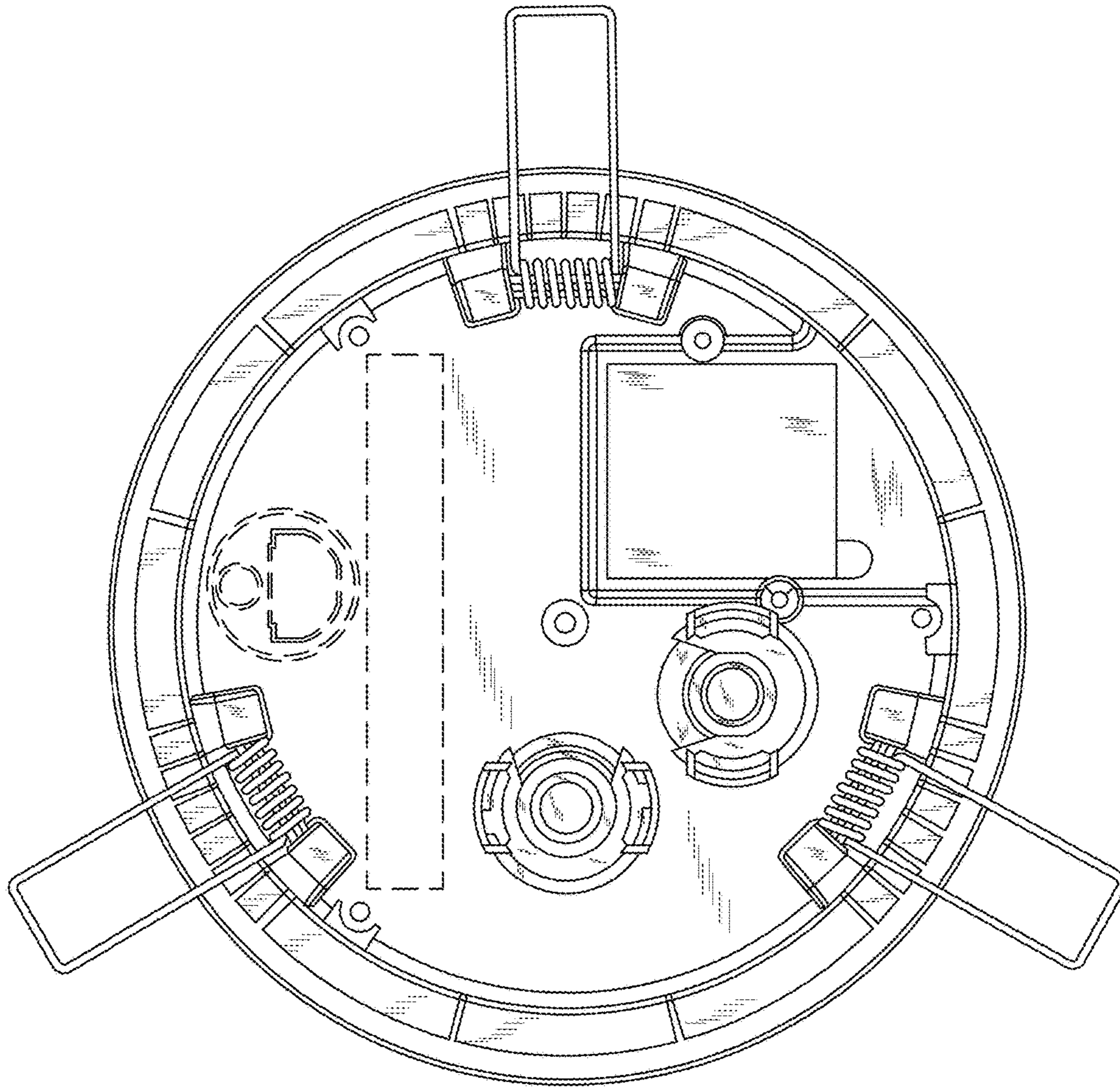


FIG. 2

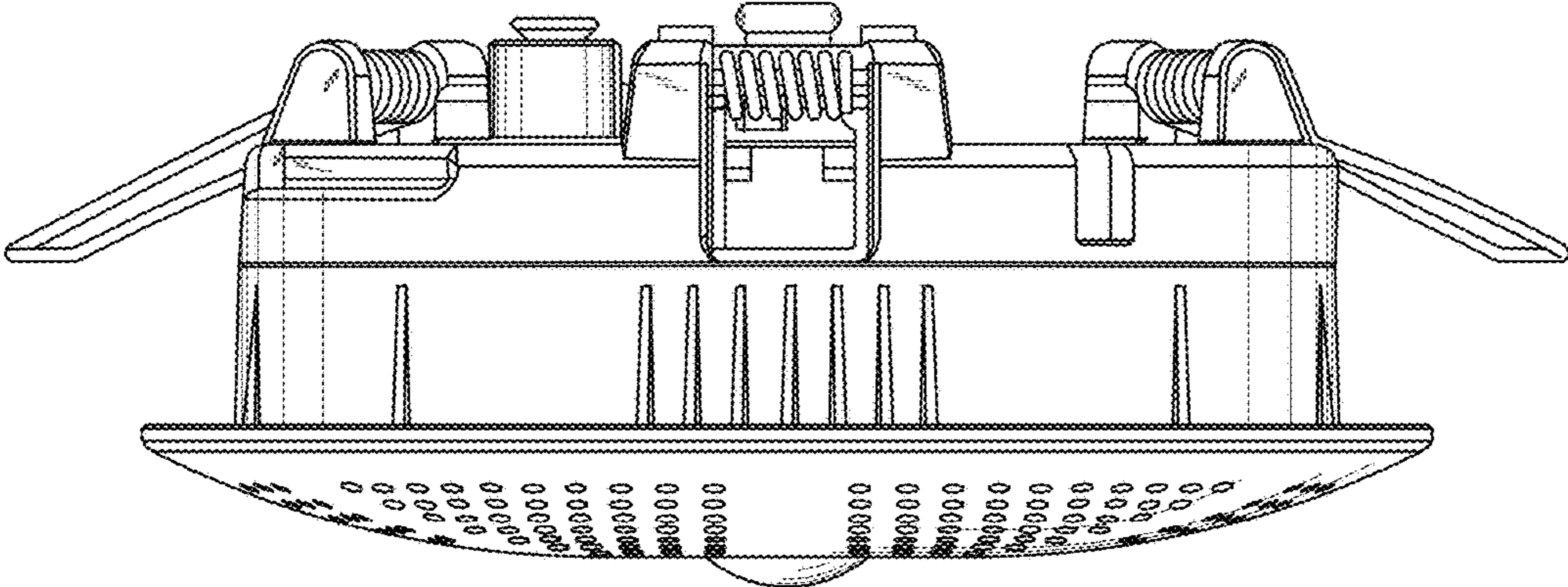


FIG. 3

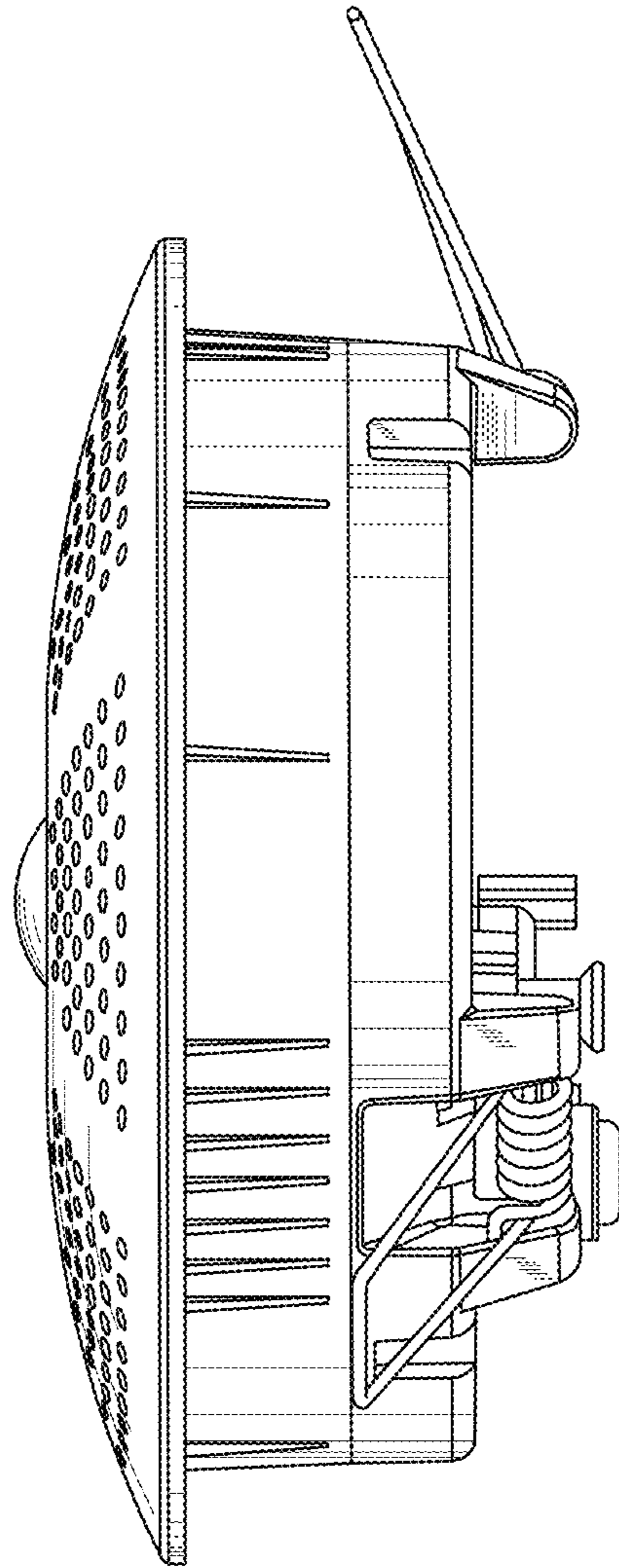


FIG. 4

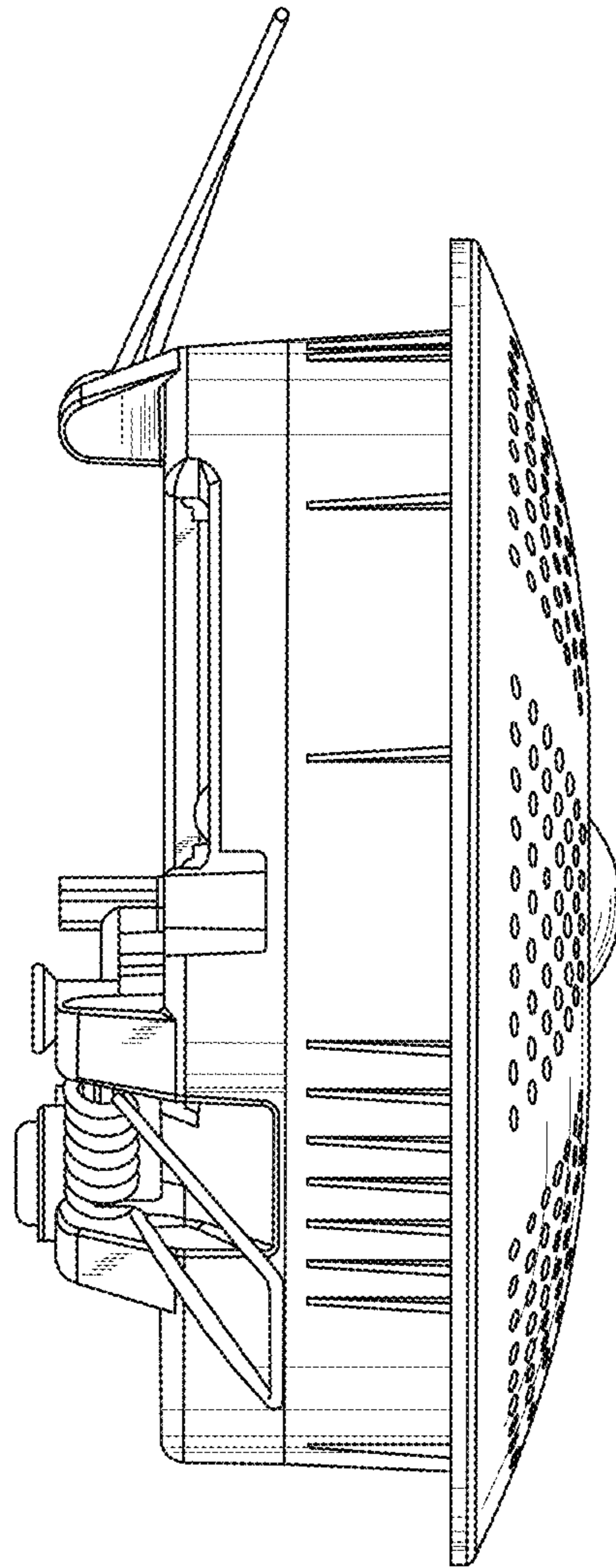


FIG. 5

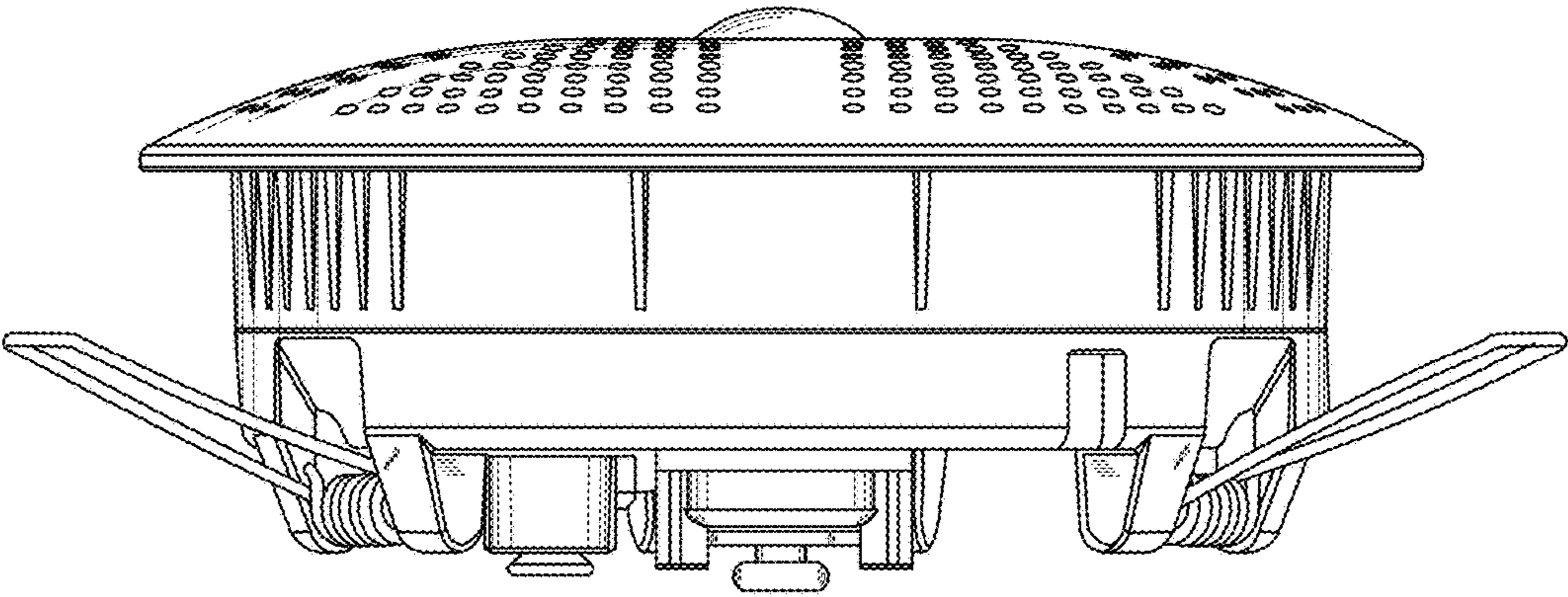


FIG. 6