



US00D849089S

(12) **United States Design Patent**
Lu

(10) **Patent No.:** **US D849,089 S**

(45) **Date of Patent:** **** May 21, 2019**

(54) **WEBCAM**

(71) Applicant: **KYE SYSTEMS CORP.**, New Taipei (TW)

(72) Inventor: **Yi-Hua Lu**, New Taipei (TW)

(73) Assignee: **KYE SYSTEMS CORP.**, New Taipei (TW)

(**) Term: **15 Years**

(21) Appl. No.: **29/637,215**

(22) Filed: **Feb. 14, 2018**

(51) **LOC (11) Cl.** **16-01**

(52) **U.S. Cl.**
USPC **D16/202**

(58) **Field of Classification Search**
USPC D16/200, 202–203, 208, 218, 219, 242;
248/187.1; 348/14.01–14.6, 143, 148,
348/151, 373–376; 396/419, 427, 428,
396/535, 539–541

CPC G03B 17/02; G03B 19/04; G03B 17/56;
G03B 17/04; G03B 15/03; H04N
2101/00; H04N 2007/145; H04N 7/141;
H04N 7/142; H04N 7/147; H04N 7/148;
H04N 7/15; H04N 7/152

See application file for complete search history.

(56) **References Cited**

U.S. PATENT DOCUMENTS

7,202,903 B2 * 4/2007 Lin G06F 1/1601
248/177.1
D559,883 S * 1/2008 Nakamura D16/218

D631,079 S * 1/2011 Tzeng D16/202
D632,719 S * 2/2011 Tsai D16/202
D641,770 S * 7/2011 Hoehn D16/202
D651,229 S * 12/2011 Tan D16/202
D651,230 S * 12/2011 Tan D16/202
D654,942 S * 2/2012 Khamsepoor D16/202
D682,332 S * 5/2013 Wang D16/202
8,475,059 B2 * 7/2013 Khamsepoor H04N 5/2251
348/373
D694,796 S * 12/2013 Tsai D16/202
D712,951 S * 9/2014 Chou D16/202
D783,075 S * 4/2017 Maxwell D16/202

* cited by examiner

Primary Examiner — Ramzi S Almatrahi

(74) *Attorney, Agent, or Firm* — Maschoff Brennan

(57) **CLAIM**

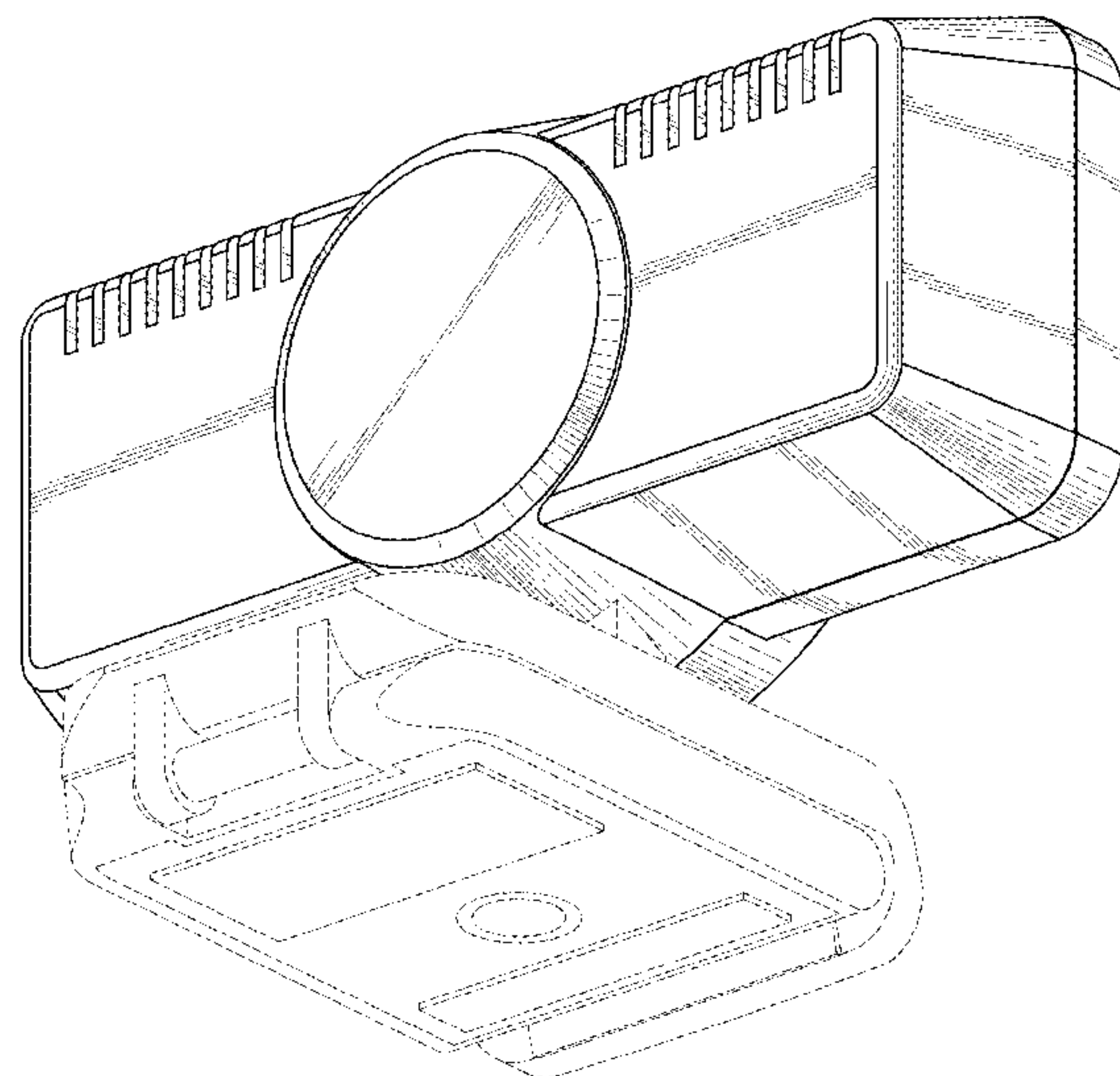
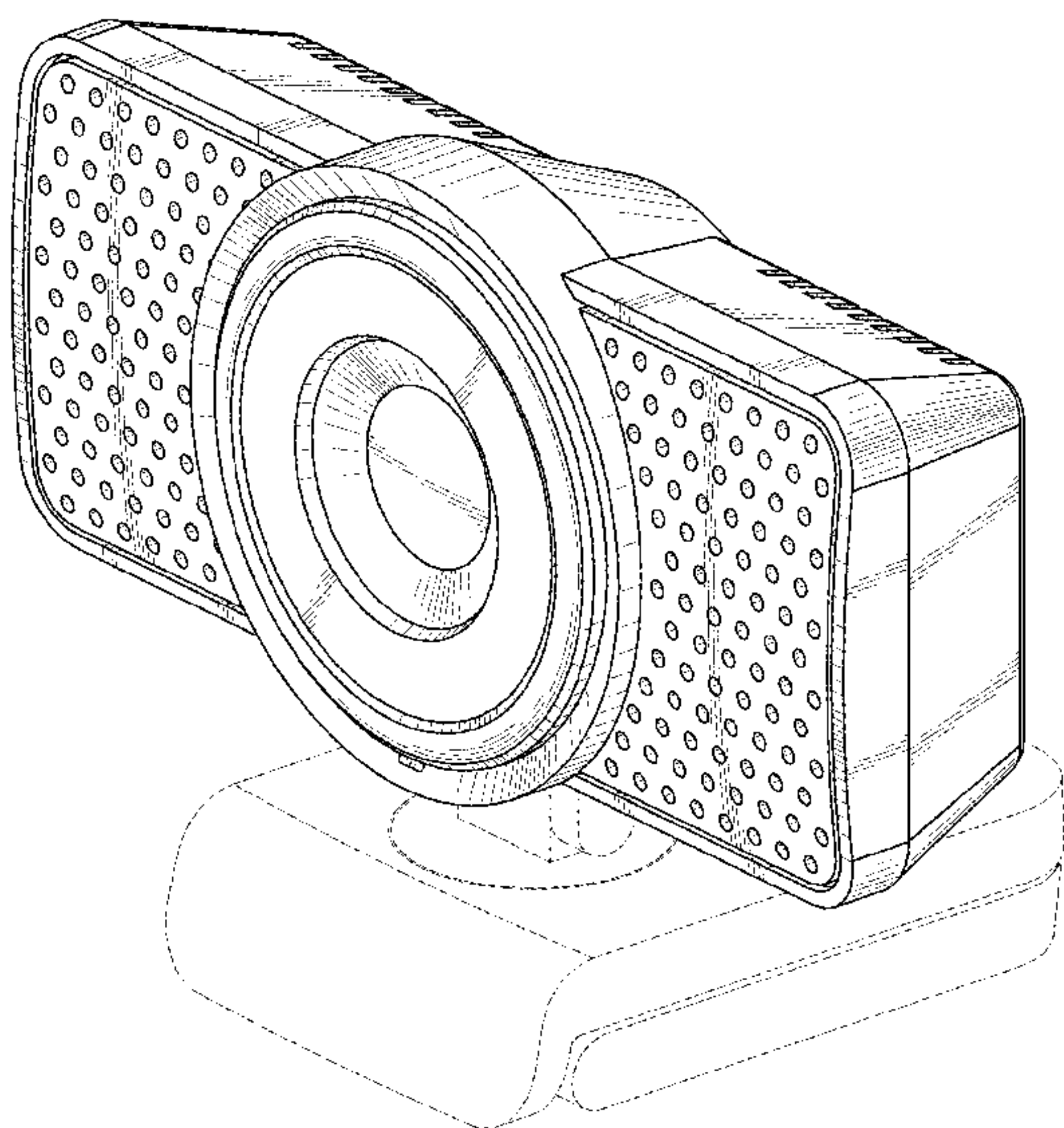
The ornamental design for a webcam, as shown and described.

DESCRIPTION

FIG. 1 is a top, front and right side perspective view of a webcam showing my new design;
FIG. 2 is a bottom, rear and left side perspective view thereof;
FIG. 3 is a front view thereof;
FIG. 4 is a rear view thereof;
FIG. 5 is a left side view thereof;
FIG. 6 is a right side view thereof;
FIG. 7 is a top view thereof; and,
FIG. 8 is a bottom view thereof.

The broken lines depict portions of the webcam in which the design is embodied that form no part of the claimed design.

1 Claim, 8 Drawing Sheets



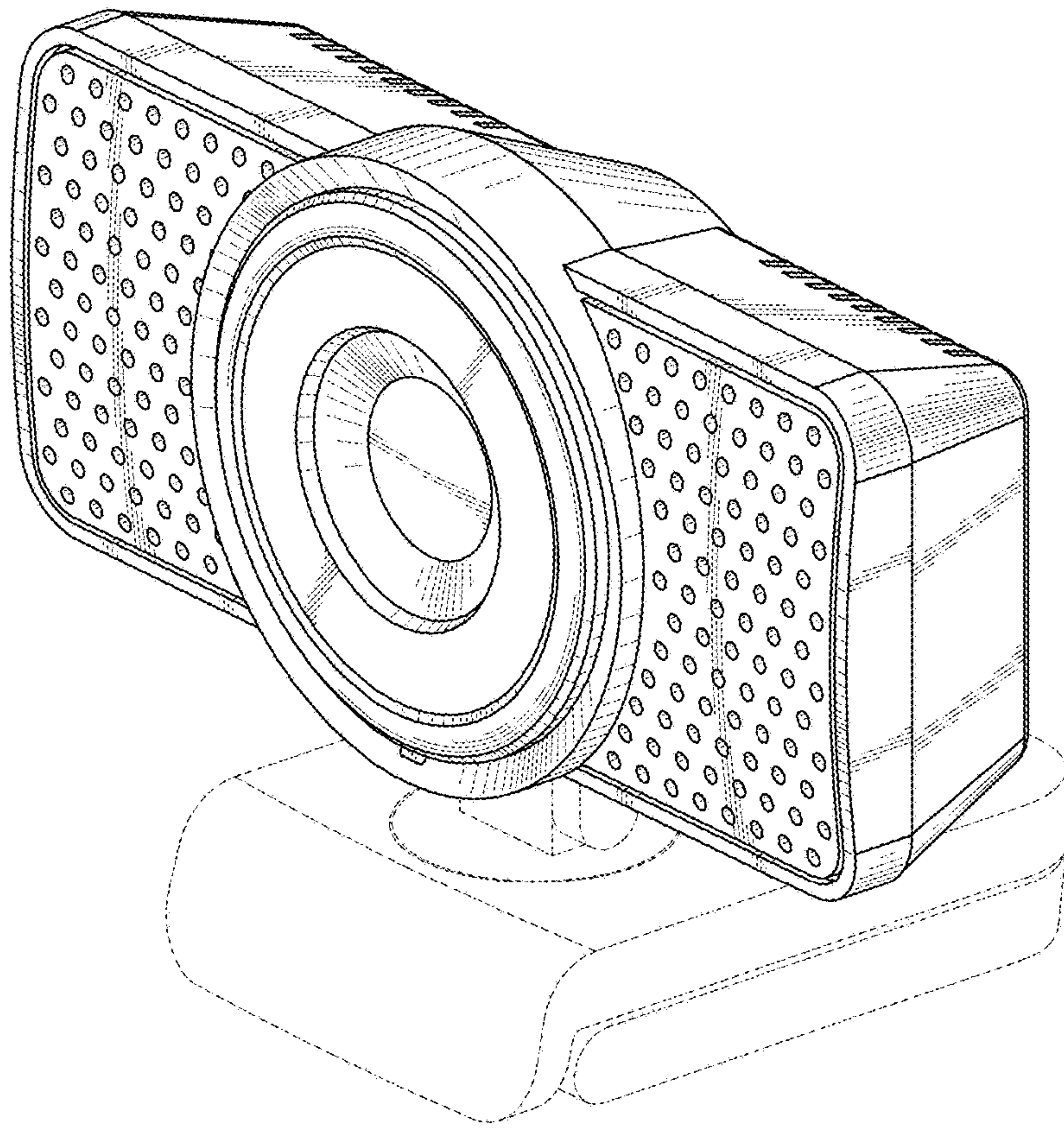


FIG. 1

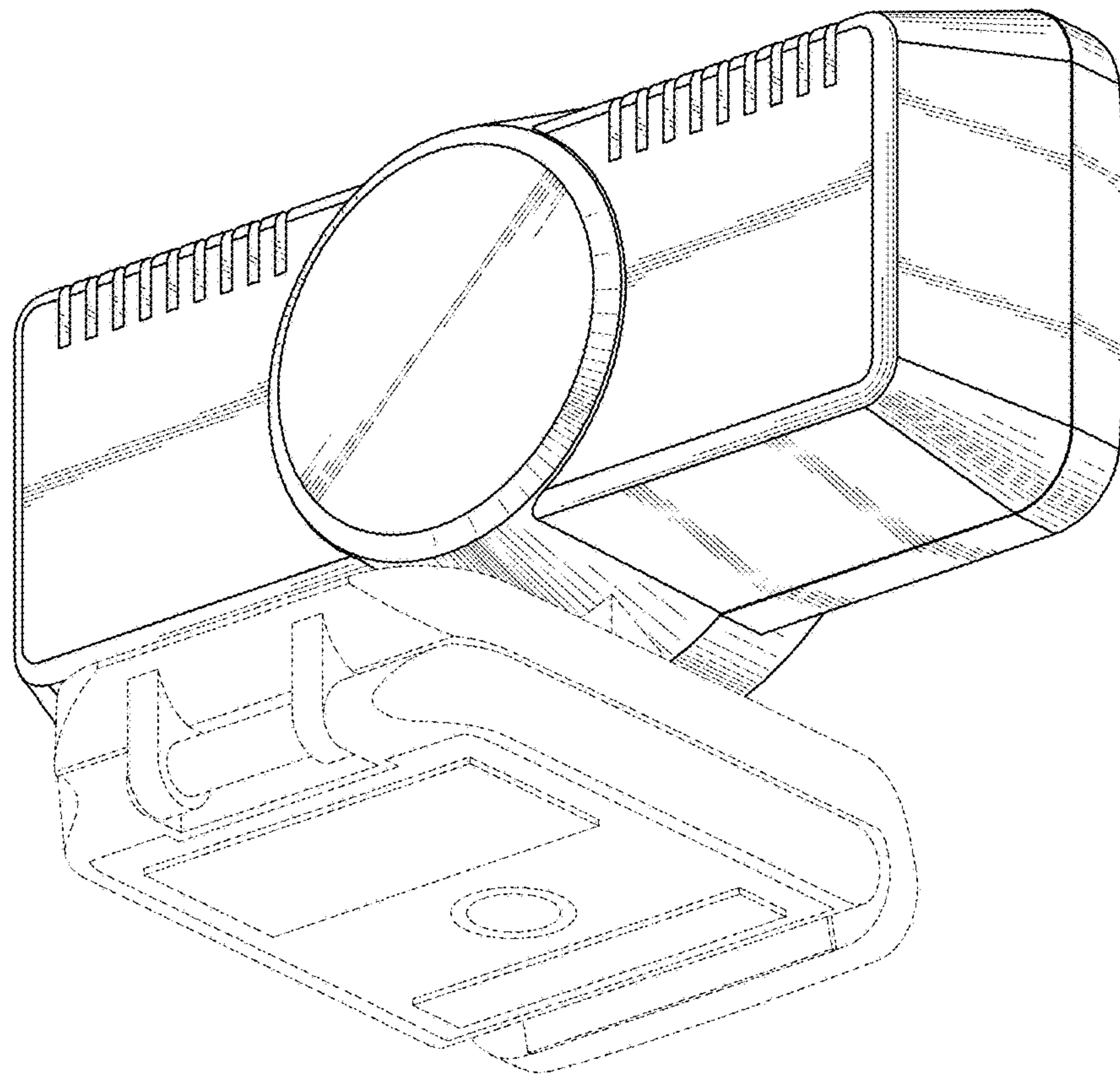


FIG. 2

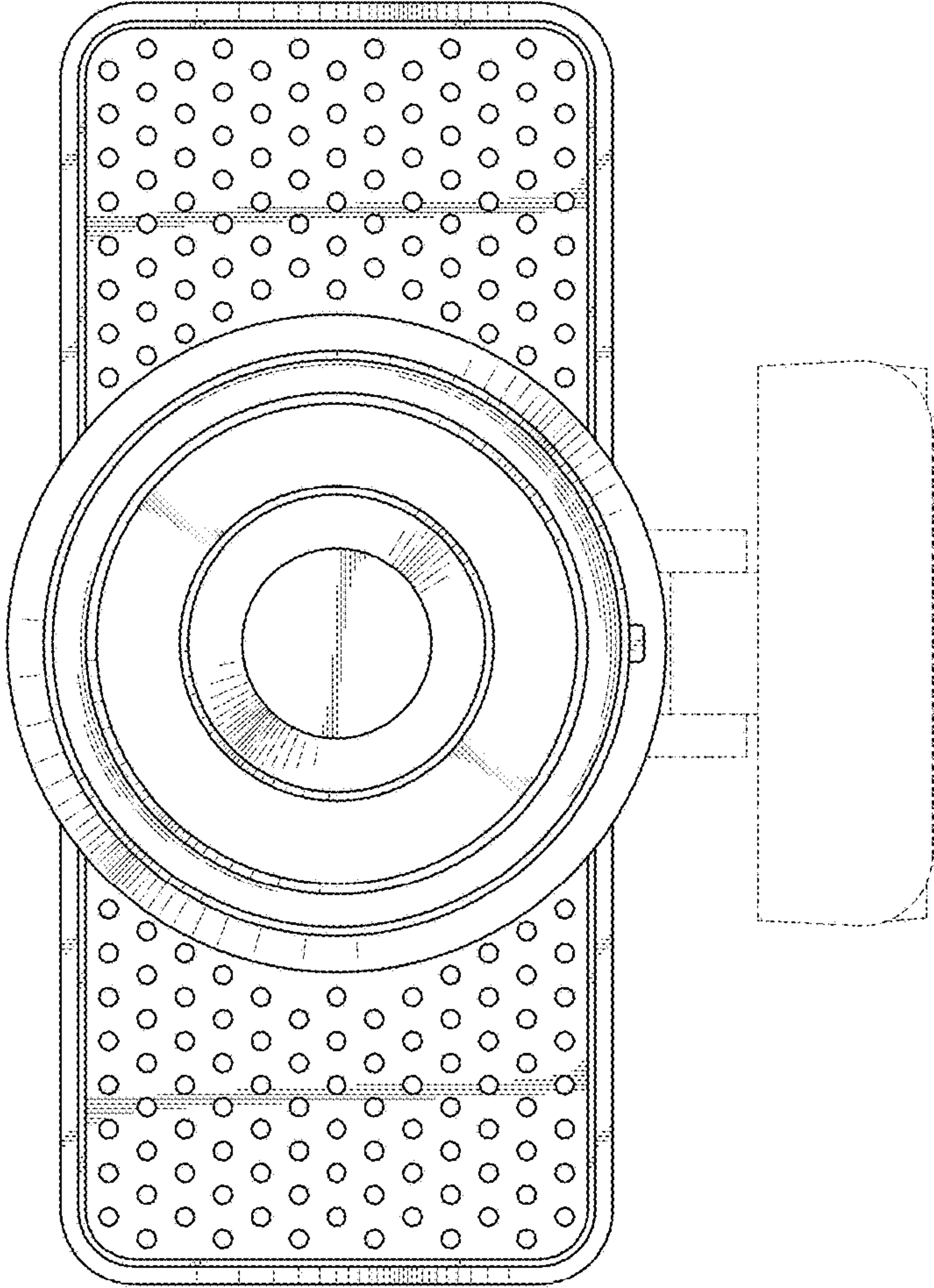


FIG. 3

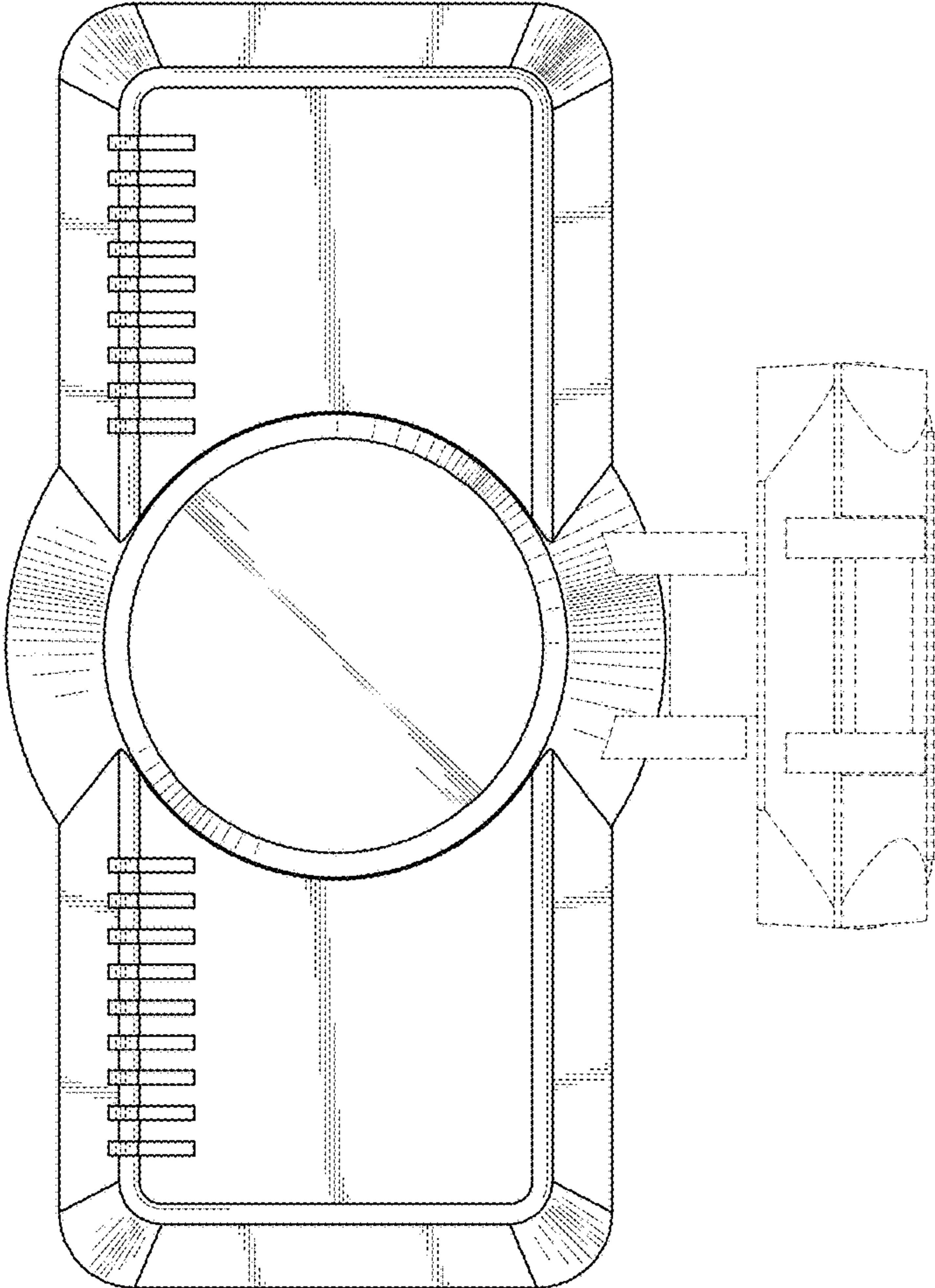


FIG. 4

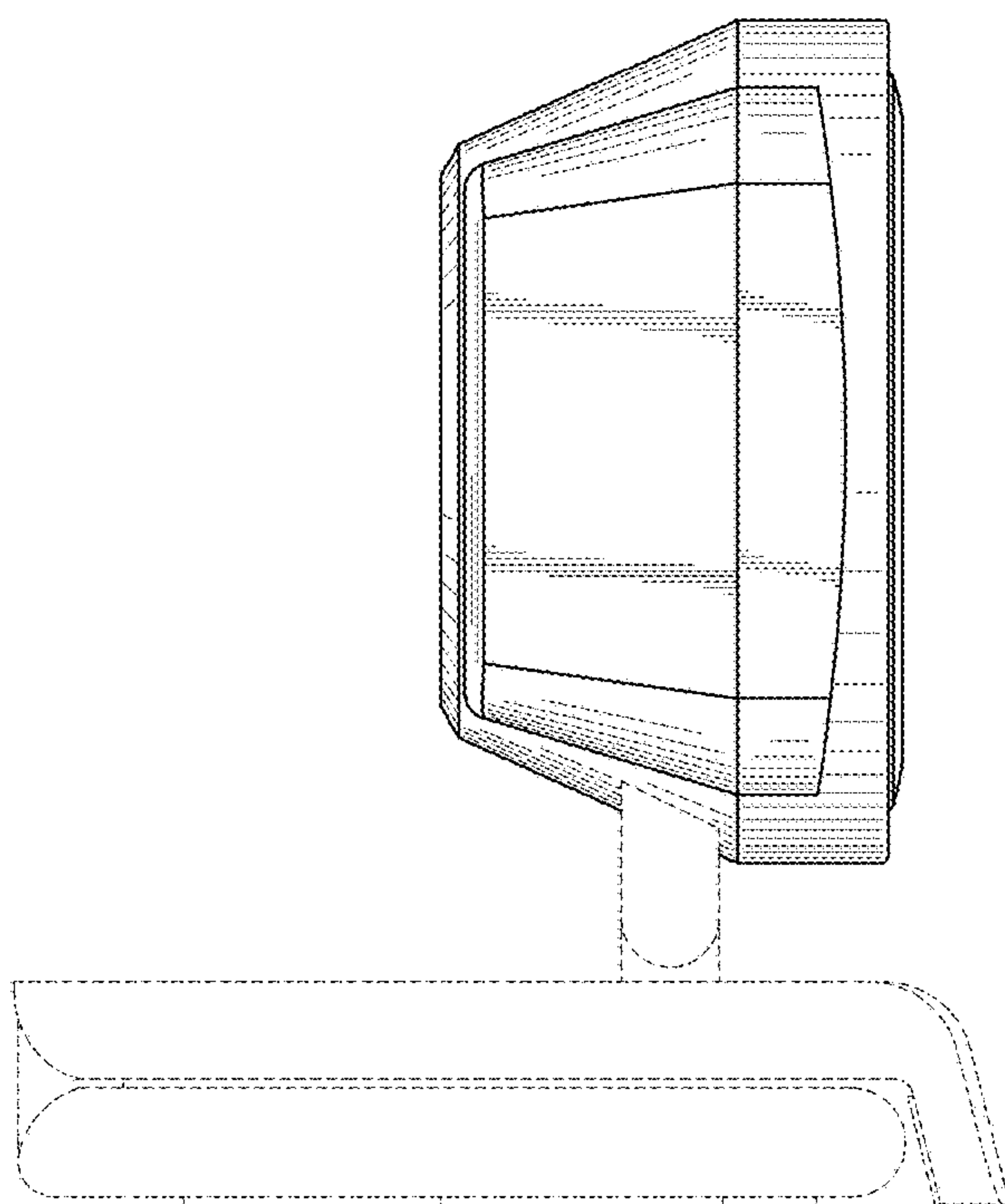


FIG. 5

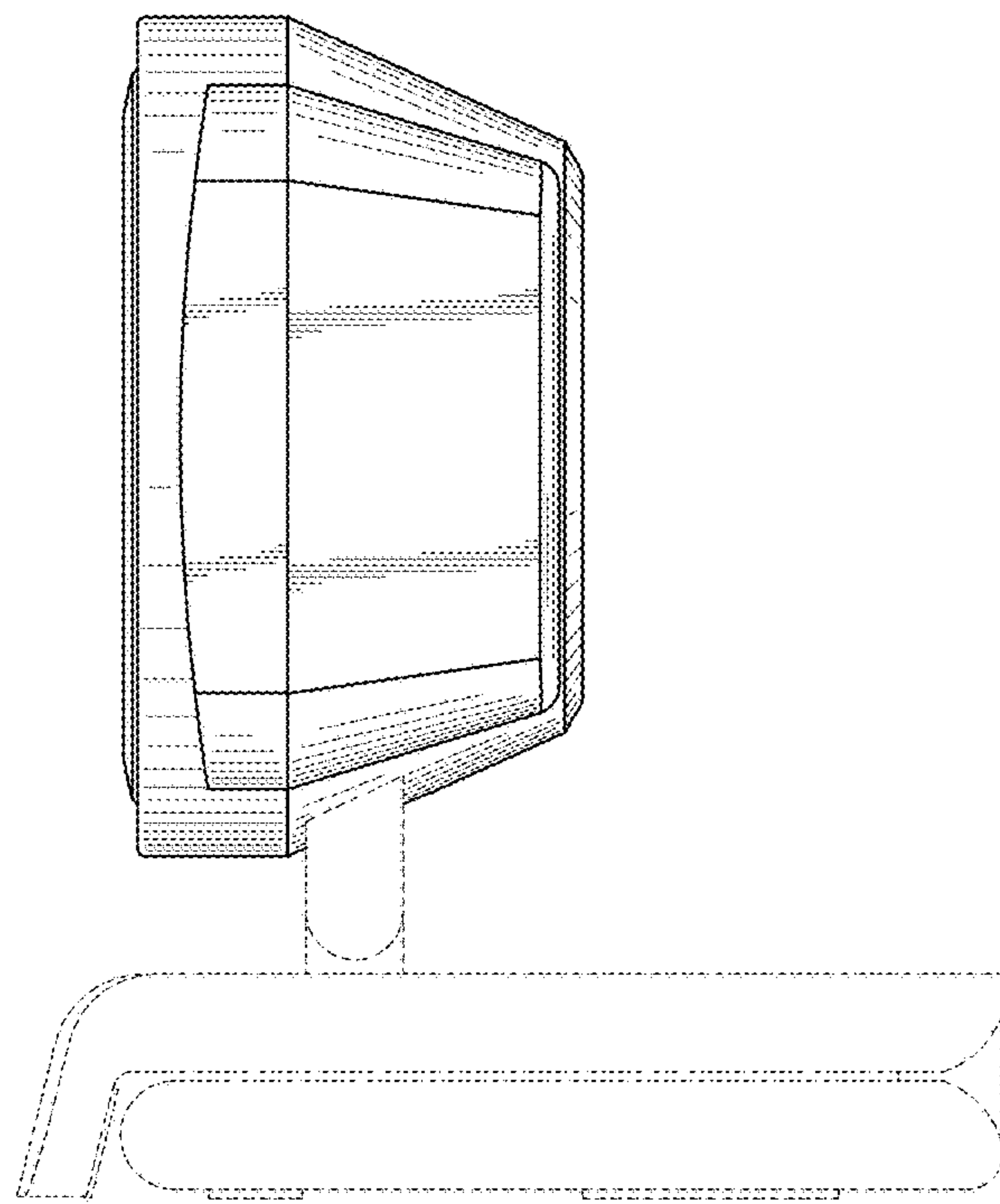


FIG. 6

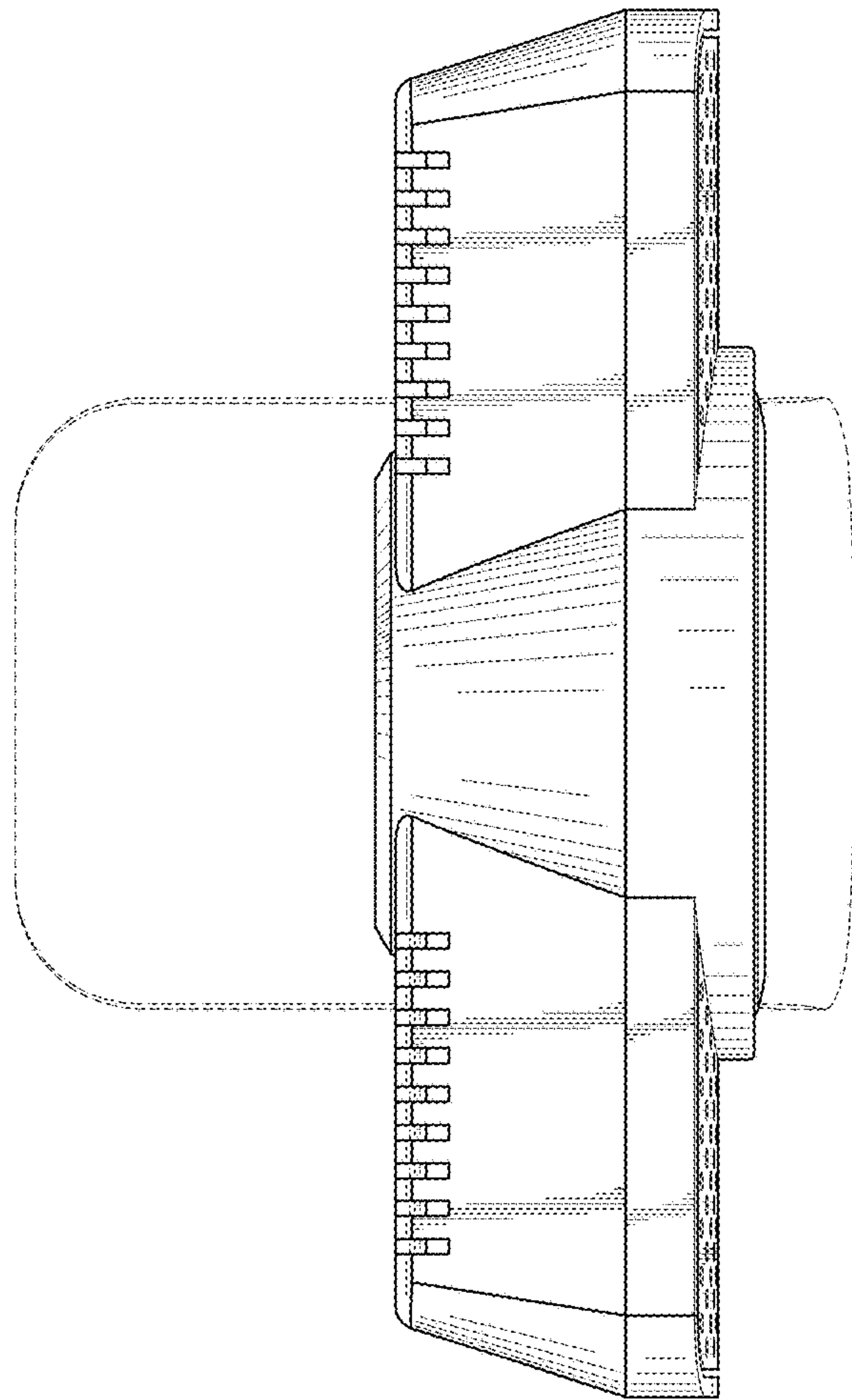


FIG. 7

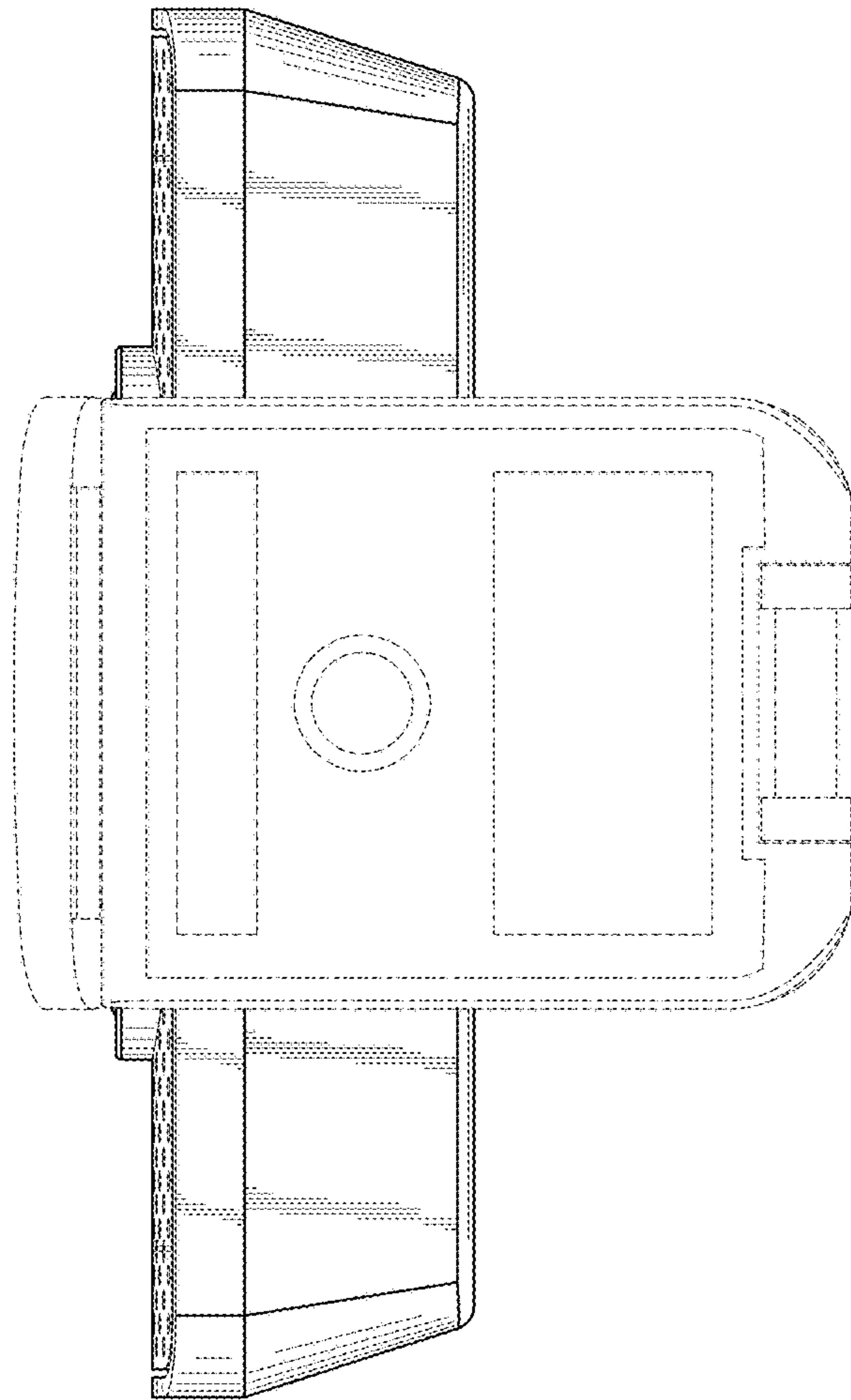


FIG. 8