



US00D849088S

(12) **United States Design Patent**  
**Lai**

(10) **Patent No.:** **US D849,088 S**

(45) **Date of Patent:** **\*\* May 21, 2019**

(54) **WEBCAM**

(71) Applicant: **KYE SYSTEMS CORP.**, New Taipei (TW)

(72) Inventor: **Yi-Chun Lai**, New Taipei (TW)

(73) Assignee: **KYE SYSTEMS CORP.**, New Taipei (TW)

(\*\*) Term: **15 Years**

(21) Appl. No.: **29/637,214**

(22) Filed: **Feb. 14, 2018**

(51) **LOC (11) Cl.** ..... **16-01**

(52) **U.S. Cl.**

USPC ..... **D16/202**

(58) **Field of Classification Search**

USPC ..... D16/200, 202–203, 208, 218, 219, 242;  
248/187.1; 348/14.01–14.6, 143, 148,  
348/151, 373–376; 396/419, 427, 428,  
396/535, 539–541

CPC ..... G03B 17/02; G03B 19/04; G03B 17/56;  
G03B 17/04; G03B 15/03; H04N  
2101/00; H04N 2007/145; H04N 7/141;  
H04N 7/142; H04N 7/147; H04N 7/148;  
H04N 7/15; H04N 7/152

See application file for complete search history.

(56) **References Cited**

**U.S. PATENT DOCUMENTS**

6,705,774 B2 \* 3/2004 Tashiro ..... G08B 13/19619  
348/143  
D533,575 S \* 12/2006 Reawsanguanwong ..... D16/202

7,202,903 B2 \* 4/2007 Lin ..... G06F 1/1601  
248/177.1  
D550,267 S \* 9/2007 Oh ..... D16/202  
D564,006 S \* 3/2008 Stephens ..... D16/208  
D569,887 S \* 5/2008 Feng ..... D16/202  
D575,316 S \* 8/2008 Liu ..... D16/202  
D627,815 S \* 11/2010 Oba ..... D16/202  
D641,770 S \* 7/2011 Hoehn ..... D16/202  
D730,421 S \* 5/2015 Huang ..... D16/202  
D816,142 S \* 4/2018 Song ..... D16/203  
D818,515 S \* 5/2018 Laurans ..... D16/203  
D819,715 S \* 6/2018 Laurans ..... D16/203

\* cited by examiner

*Primary Examiner* — Ramzi S Almatrahi

(74) *Attorney, Agent, or Firm* — Maschoff Brennan

(57) **CLAIM**

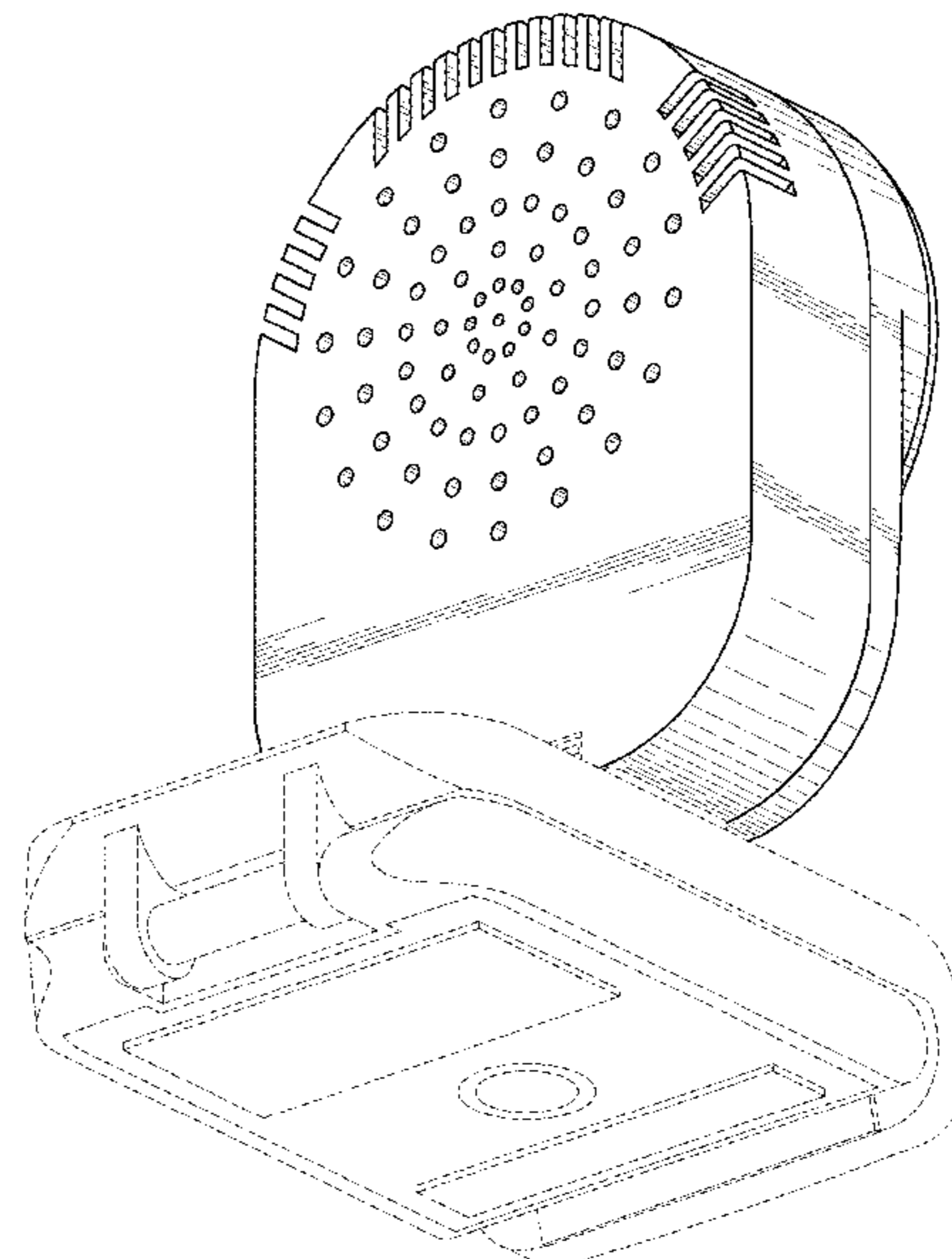
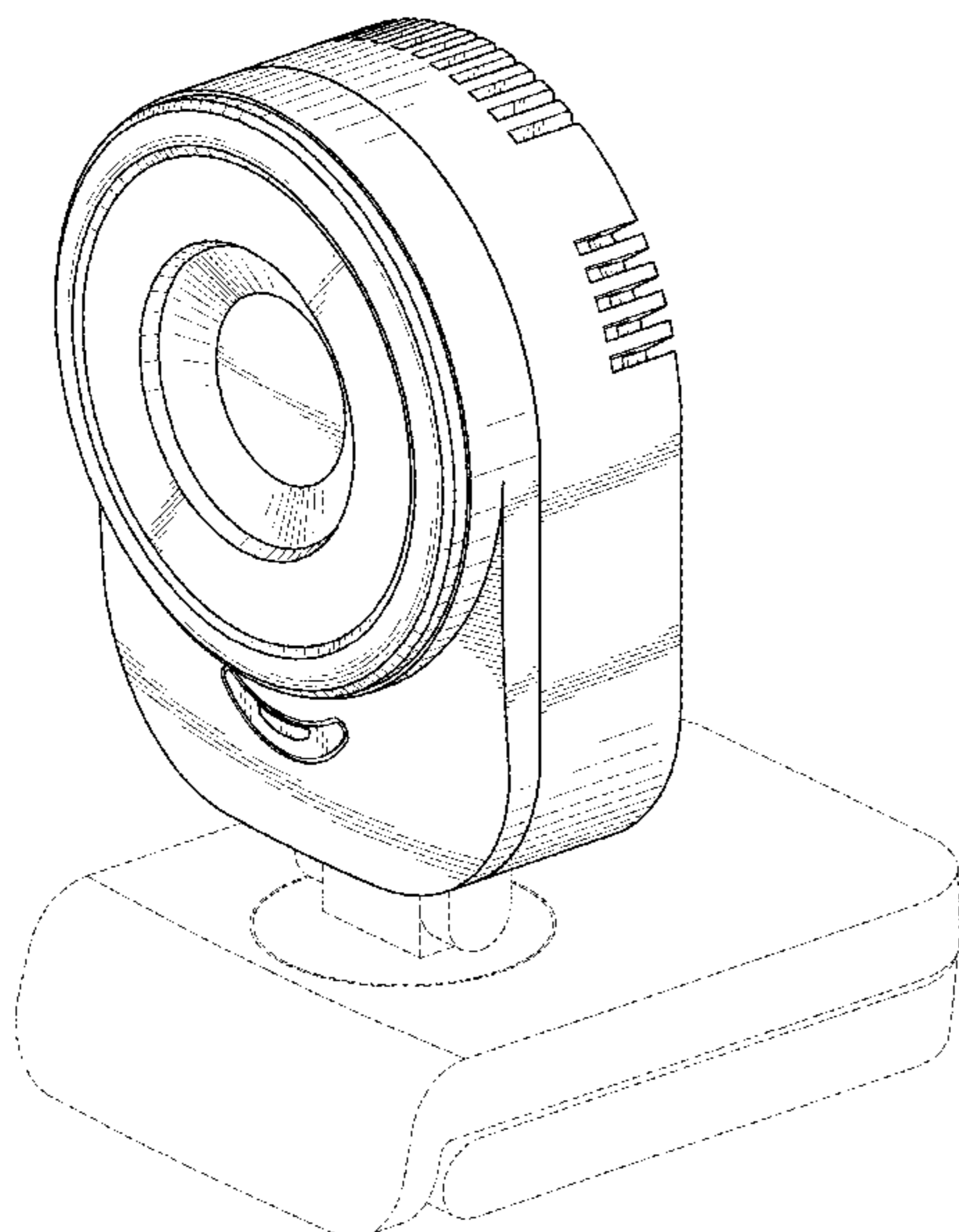
The ornamental design for a webcam, as shown and described.

**DESCRIPTION**

FIG. 1 is a top, front and right side perspective view of a webcam showing my new design;  
FIG. 2 is a bottom, rear and left side perspective view thereof;  
FIG. 3 is a front view thereof;  
FIG. 4 is a rear view thereof;  
FIG. 5 is a left side view thereof;  
FIG. 6 is a right side view thereof;  
FIG. 7 is a top view thereof; and,  
FIG. 8 is a bottom view thereof.

The broken lines depict portions of the webcam in which the design is embodied that form no part of the claimed design.

**1 Claim, 8 Drawing Sheets**



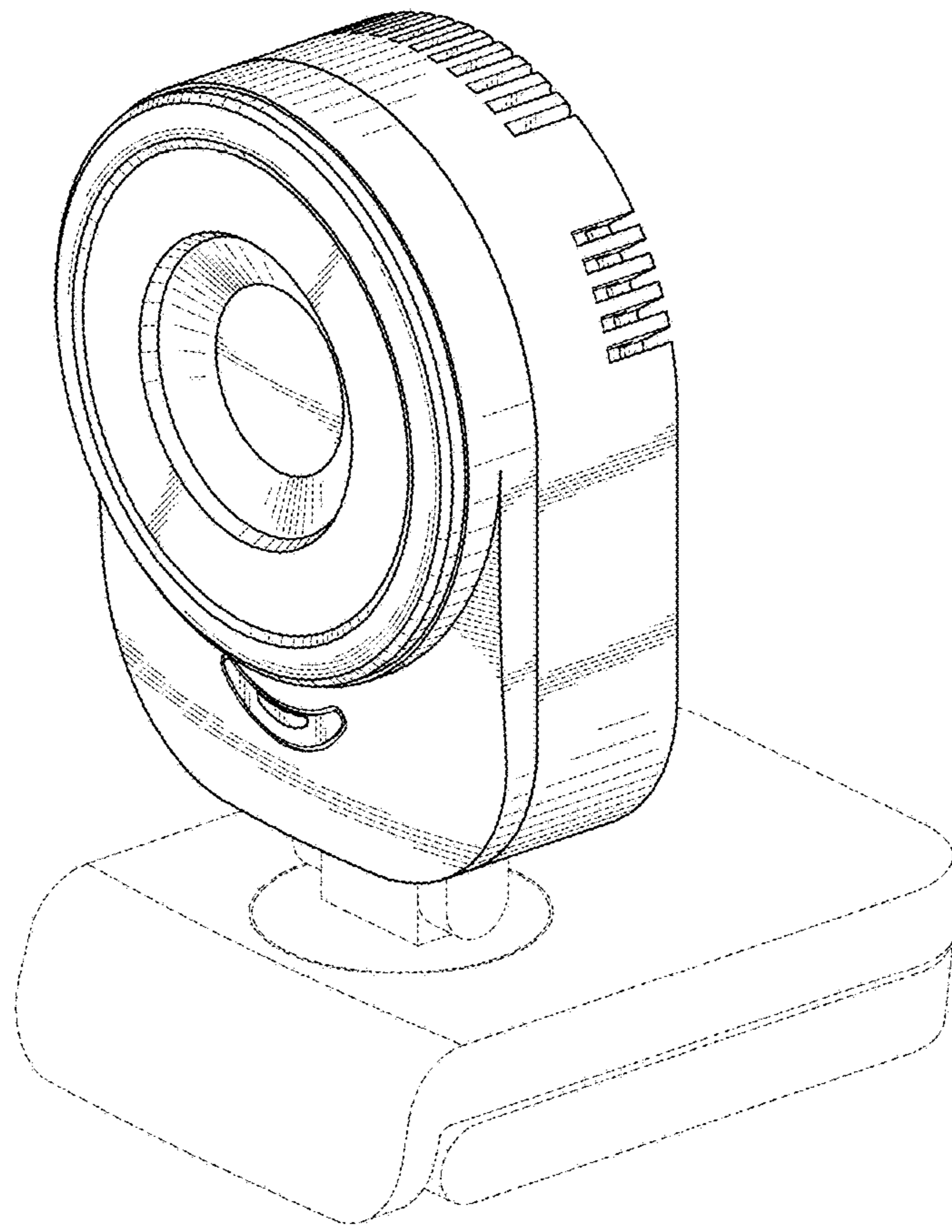


FIG. 1

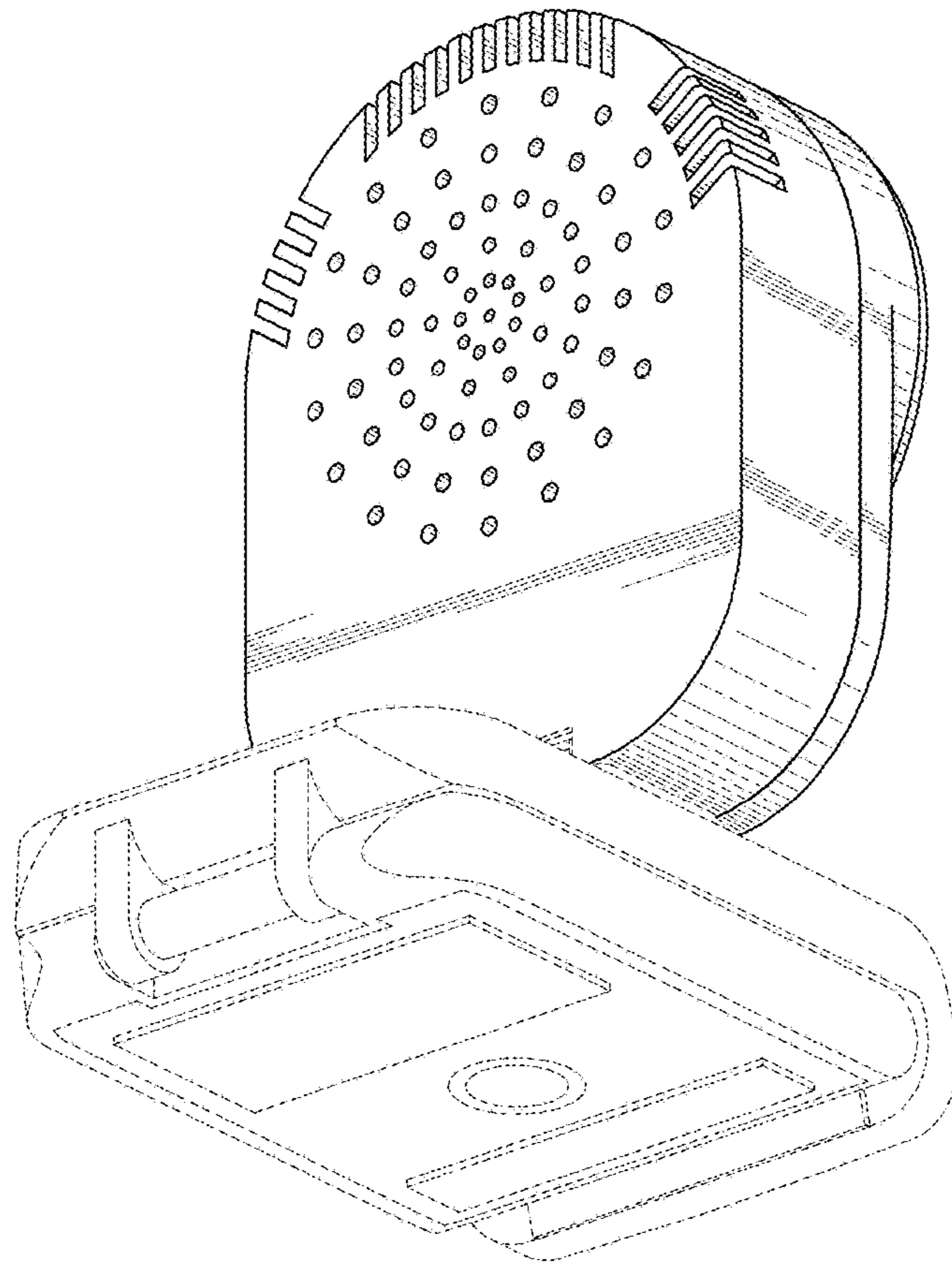


FIG. 2

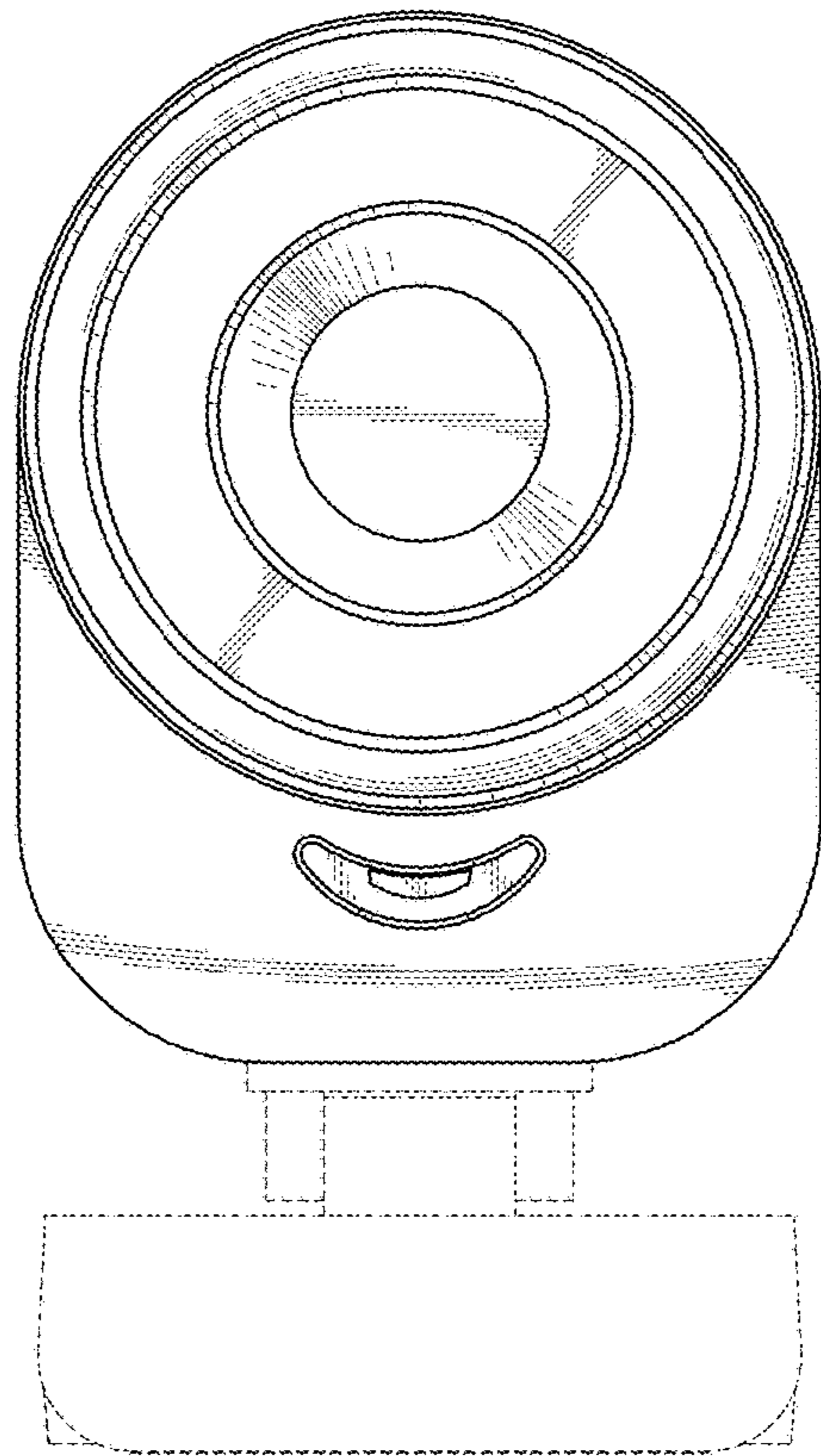


FIG. 3



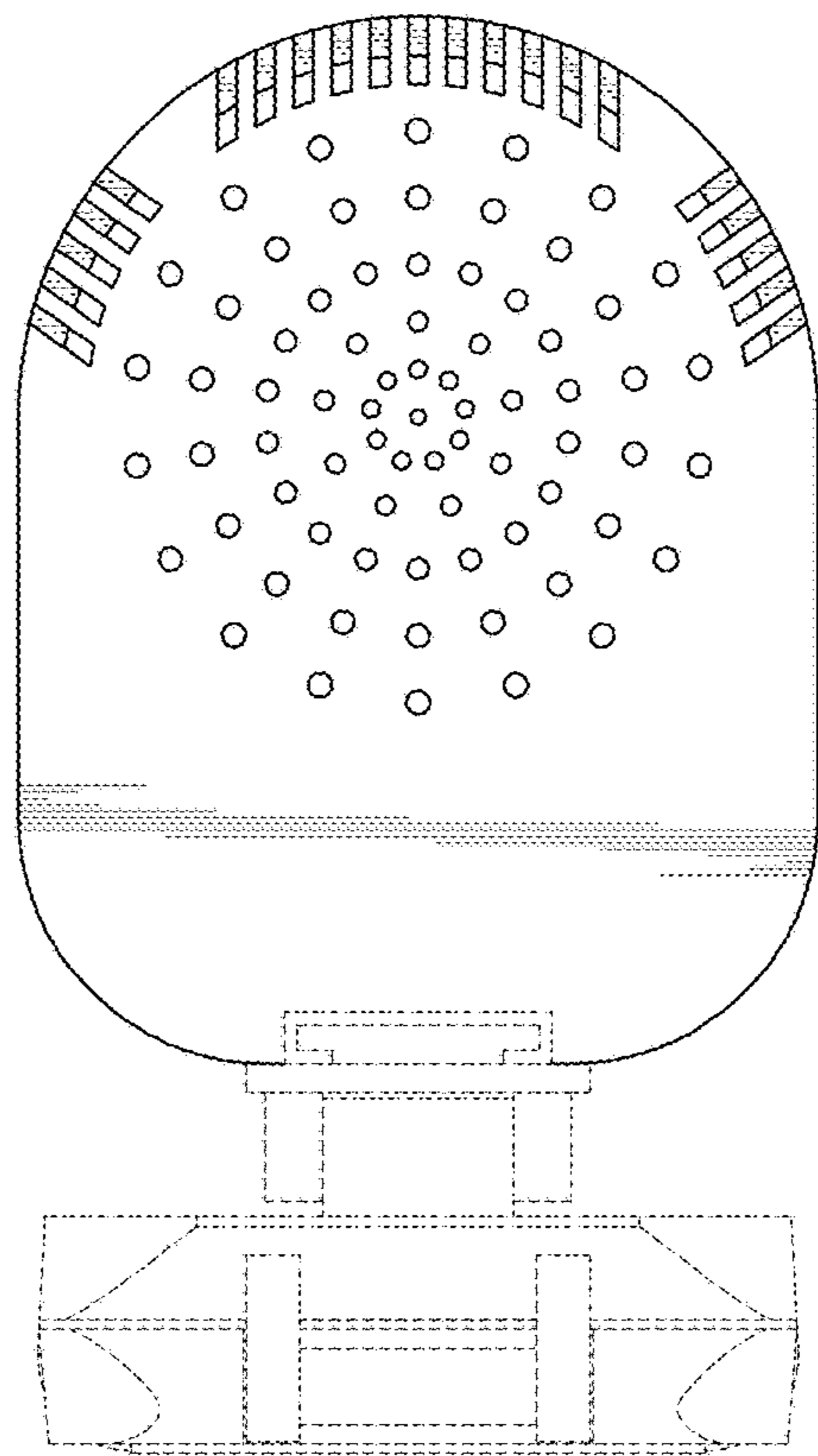


FIG. 4

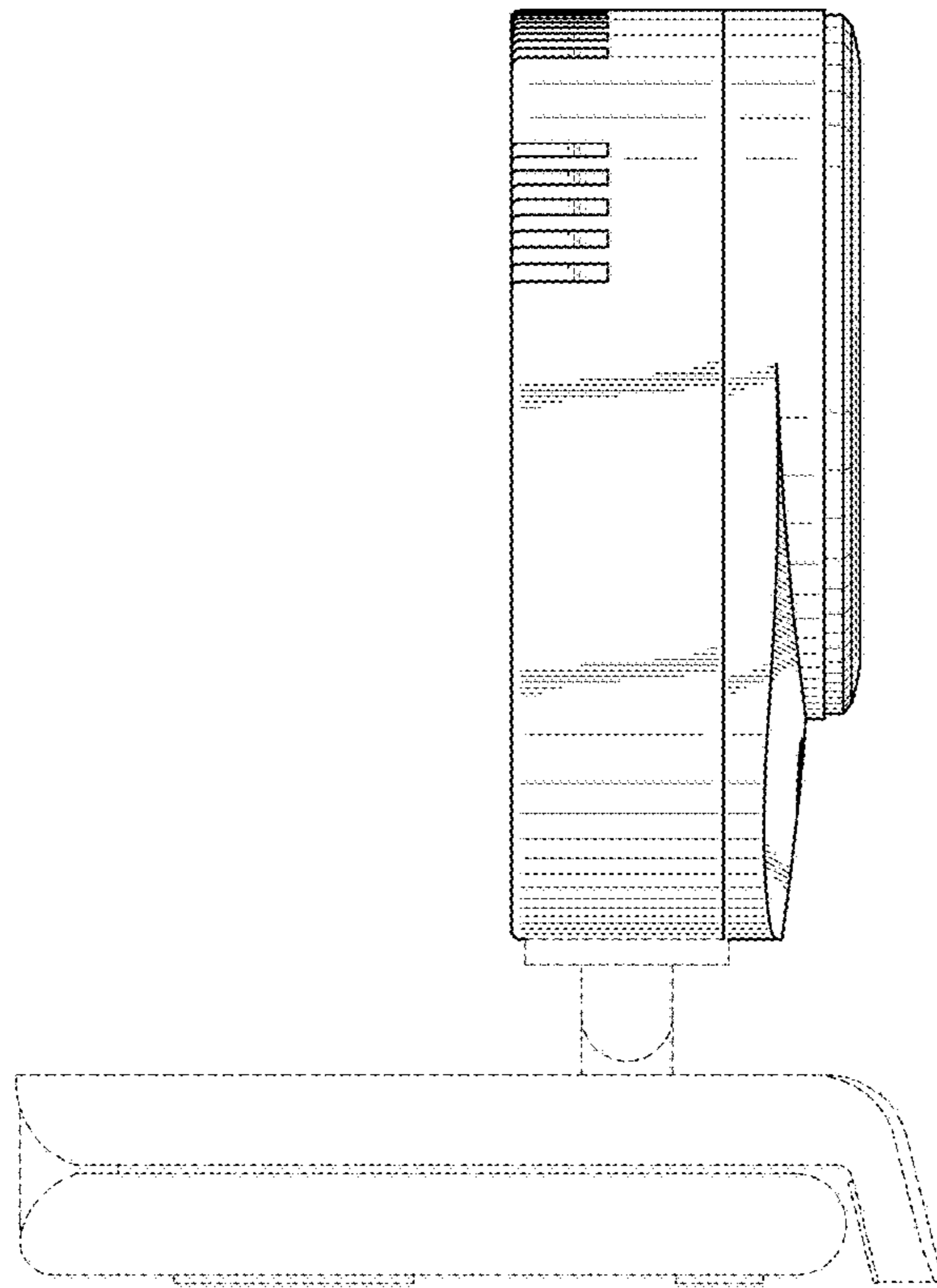


FIG. 5

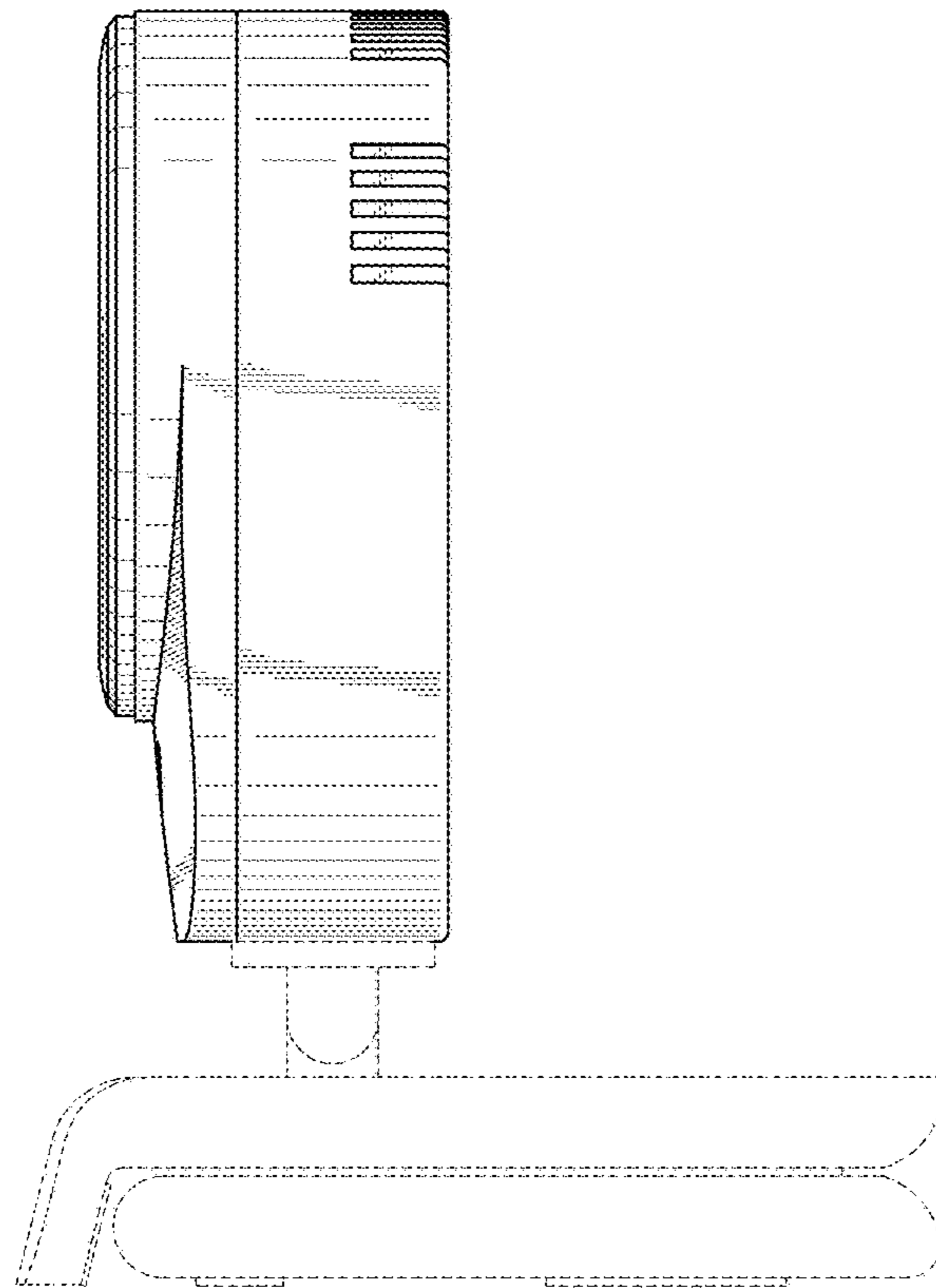


FIG. 6

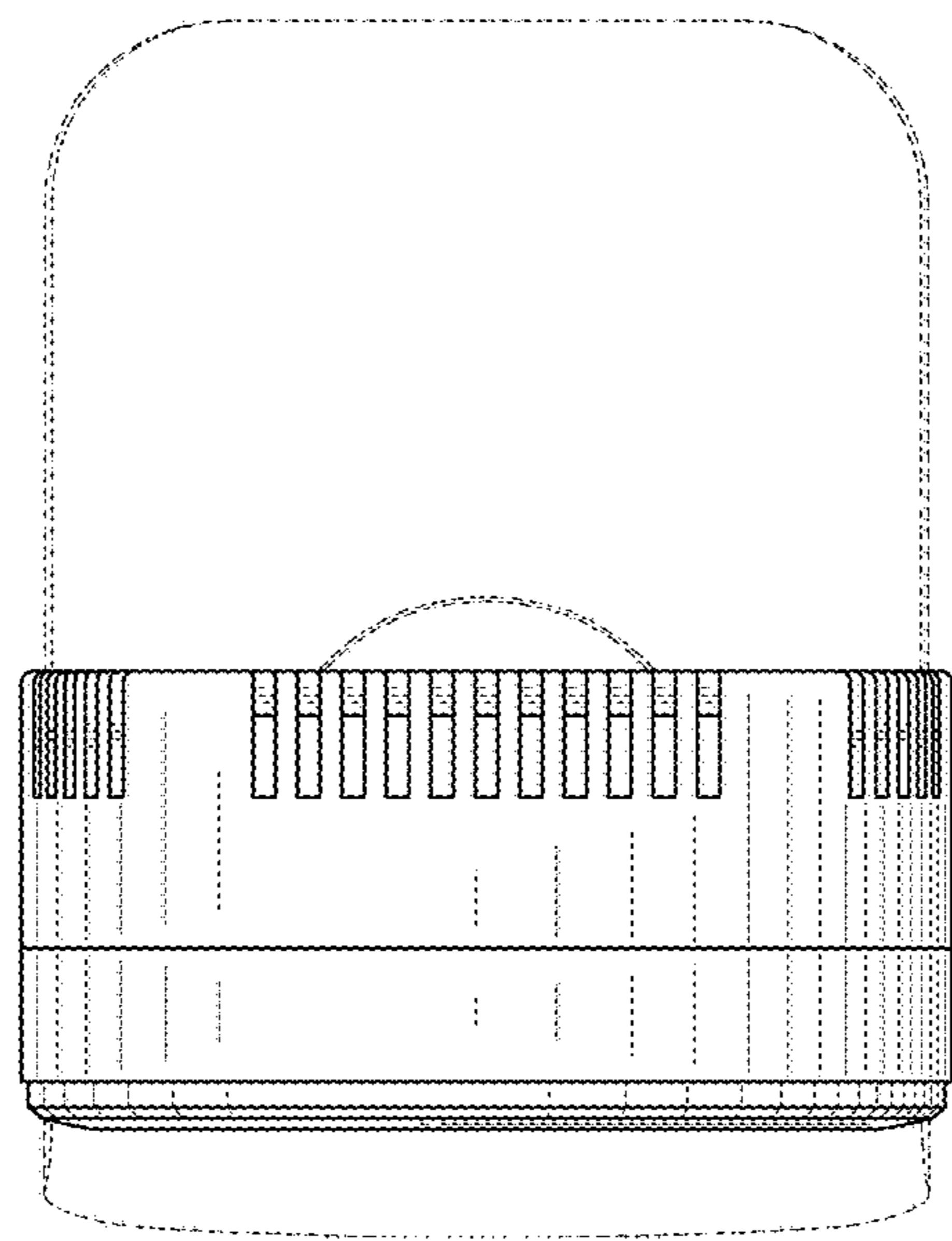


FIG. 7



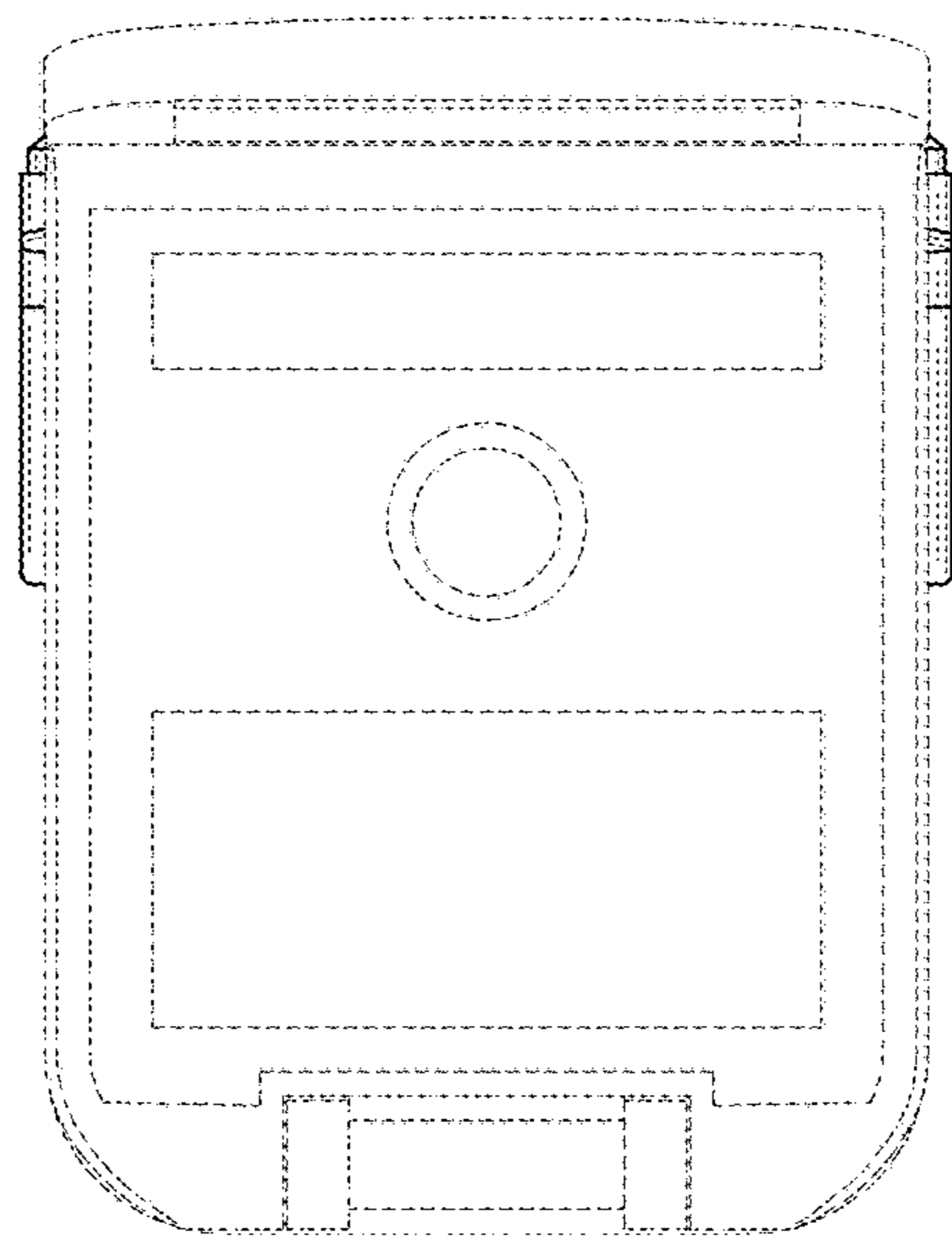


FIG. 8