



US00D849086S

(12) **United States Design Patent**  
**Russo et al.**

(10) **Patent No.:** **US D849,086 S**

(45) **Date of Patent:** **\*\* May 21, 2019**

(54) **VIDEO CAMERA SYSTEM**

(71) Applicant: **Logitech Europe S.A.**, Lausanne (CH)

(72) Inventors: **Giuseppe Russo**, Redwood City, CA (US); **Libao Wu**, Fremont, CA (US); **Alan Smith**, Vancouver, WA (US); **Ram Chaturabul**, Milpitas, CA (US)

(73) Assignee: **Logitech Europe S.A.**, Lausanne (CH)

(\*\*) Term: **15 Years**

(21) Appl. No.: **29/626,412**

(22) Filed: **Nov. 16, 2017**

(51) **LOC (11) Cl.** ..... **16-01**

(52) **U.S. Cl.**

USPC ..... **D16/202**

(58) **Field of Classification Search**

USPC ..... D16/200, 202-203, 208, 218, 219, 242; 248/187.1; 348/14.01-14.6, 143, 148, 348/151, 373-376; 396/419, 427, 428, 396/535, 539-541

CPC ..... G03B 17/02; G03B 19/04; G03B 17/56; G03B 17/04; G03B 15/03; H04N 2101/00; H04N 2007/145; H04N 7/141; H04N 7/142; H04N 7/147; H04N 7/148; H04N 7/15; H04N 7/152

See application file for complete search history.

(56) **References Cited**

**U.S. PATENT DOCUMENTS**

D535,676 S \* 1/2007 Dayan ..... D16/208  
D550,266 S \* 9/2007 Lau ..... D16/202  
7,500,794 B1 \* 3/2009 Clark ..... G03B 17/00  
348/143  
D600,730 S \* 9/2009 Su ..... D16/202

D629,031 S \* 12/2010 Su ..... D16/202  
D631,497 S \* 1/2011 Han ..... D16/202  
D641,388 S \* 7/2011 Shih ..... D16/202  
D674,430 S \* 1/2013 Inoue ..... D16/218  
D680,569 S \* 4/2013 Lee ..... D16/202  
D716,360 S \* 10/2014 Schechter ..... D16/208  
D750,681 S \* 3/2016 Takami ..... D16/202  
D775,679 S \* 1/2017 Klein ..... D16/202  
2012/0236195 A1 \* 9/2012 Chang ..... G06F 1/1686  
348/333.06

\* cited by examiner

*Primary Examiner* — Ramzi S Almatrahi

(74) *Attorney, Agent, or Firm* — Kilpatrick Townsend & Stockton LLP

(57) **CLAIM**

The ornamental design for a video camera system, as shown and described.

**DESCRIPTION**

FIG. 1 is a top, front and right side perspective view of a video camera system showing our new design;

FIG. 2 is a top, front and left side perspective view thereof, shown with the camera lens tilted towards the right side;

FIG. 3 is a bottom, front and left side perspective view thereof, shown with the camera lens tilted towards the left side;

FIG. 4 is front plan view thereof;

FIG. 5 is a back plan view thereof;

FIG. 6 is a top plan view thereof;

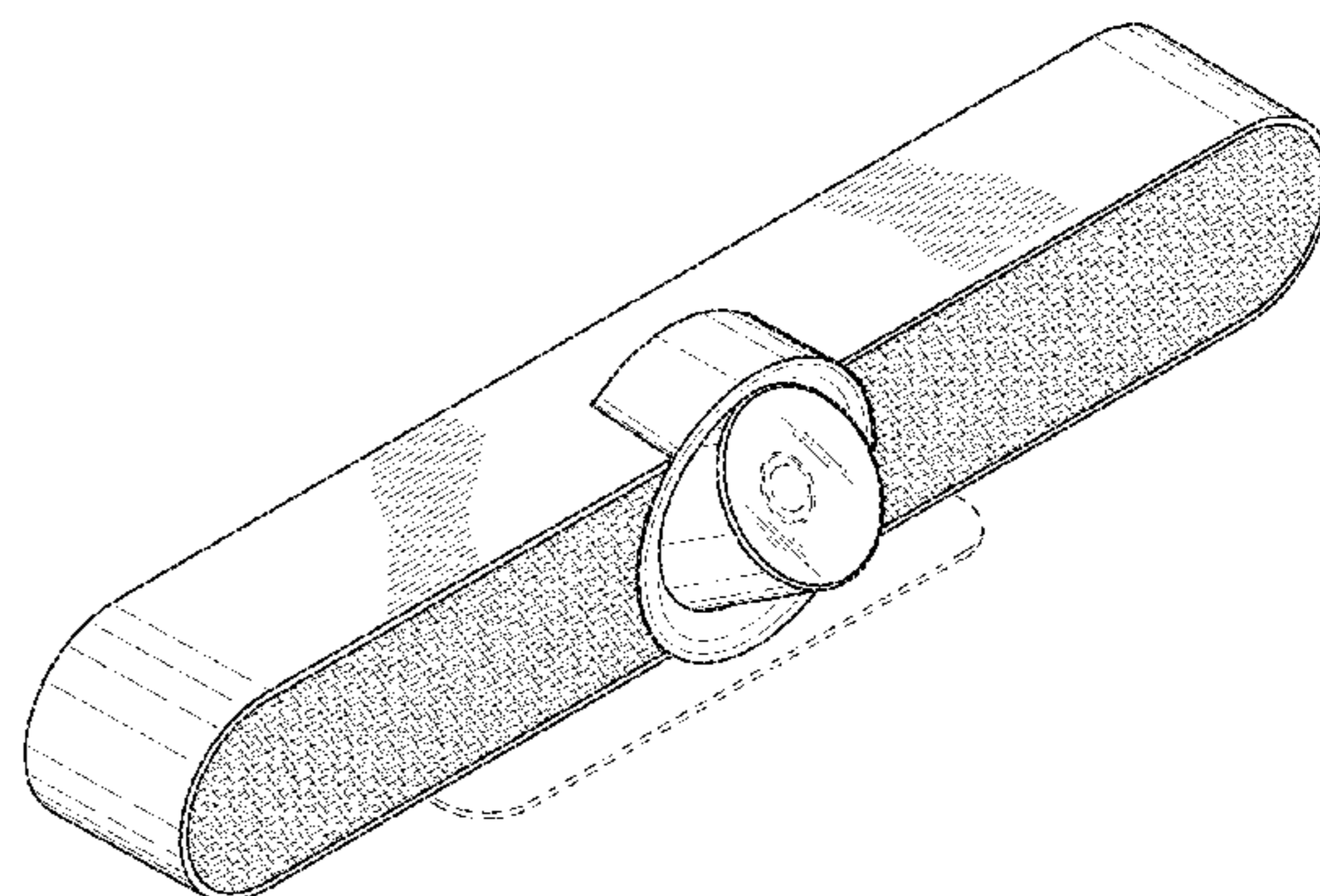
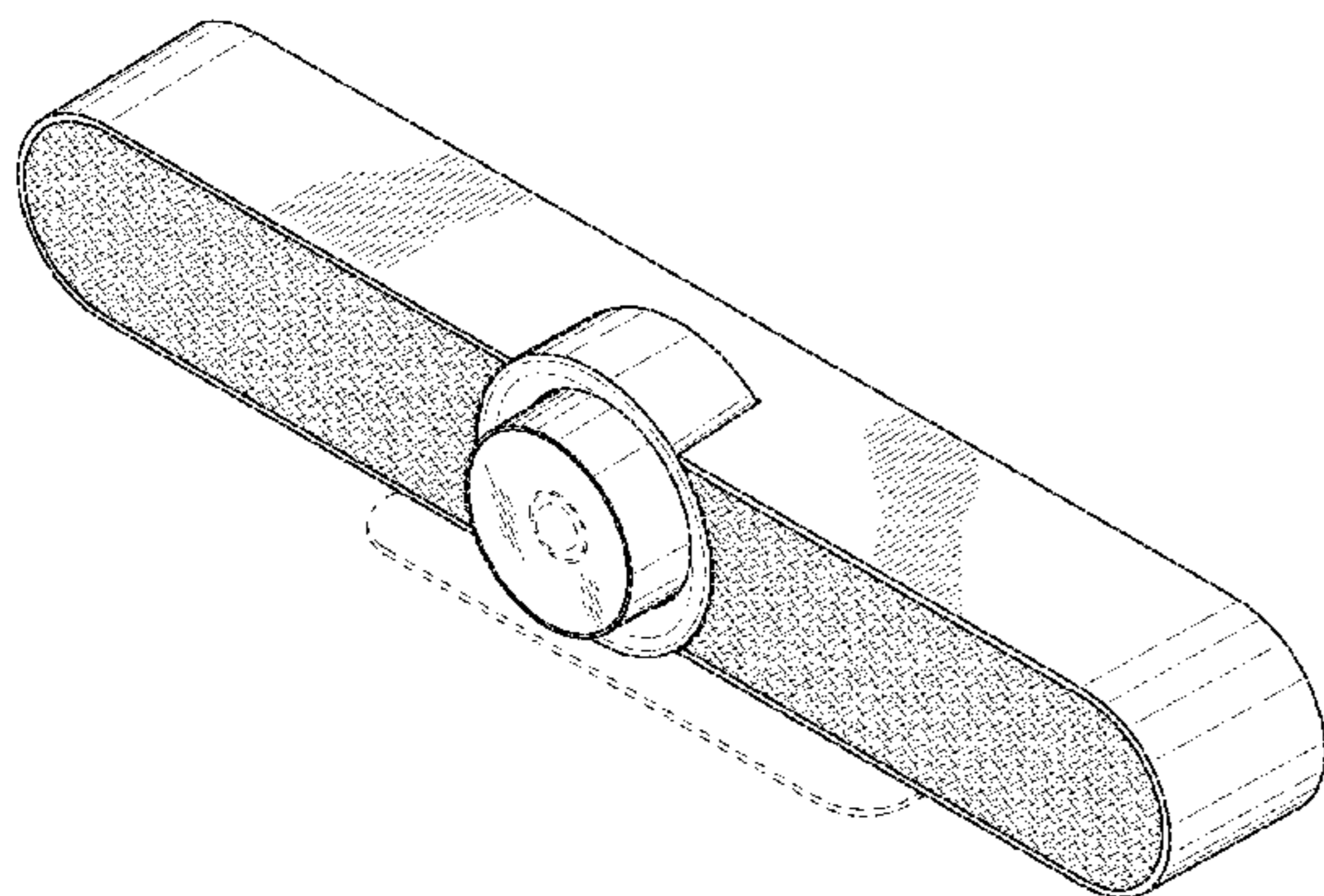
FIG. 7 is a bottom plan view thereof;

FIG. 8 is a left side plan view thereof; and,

FIG. 9 is a right side plan view thereof.

The broken lines depict portions of the video camera system in which the design is embodied that form no part of the claimed design.

**1 Claim, 4 Drawing Sheets**



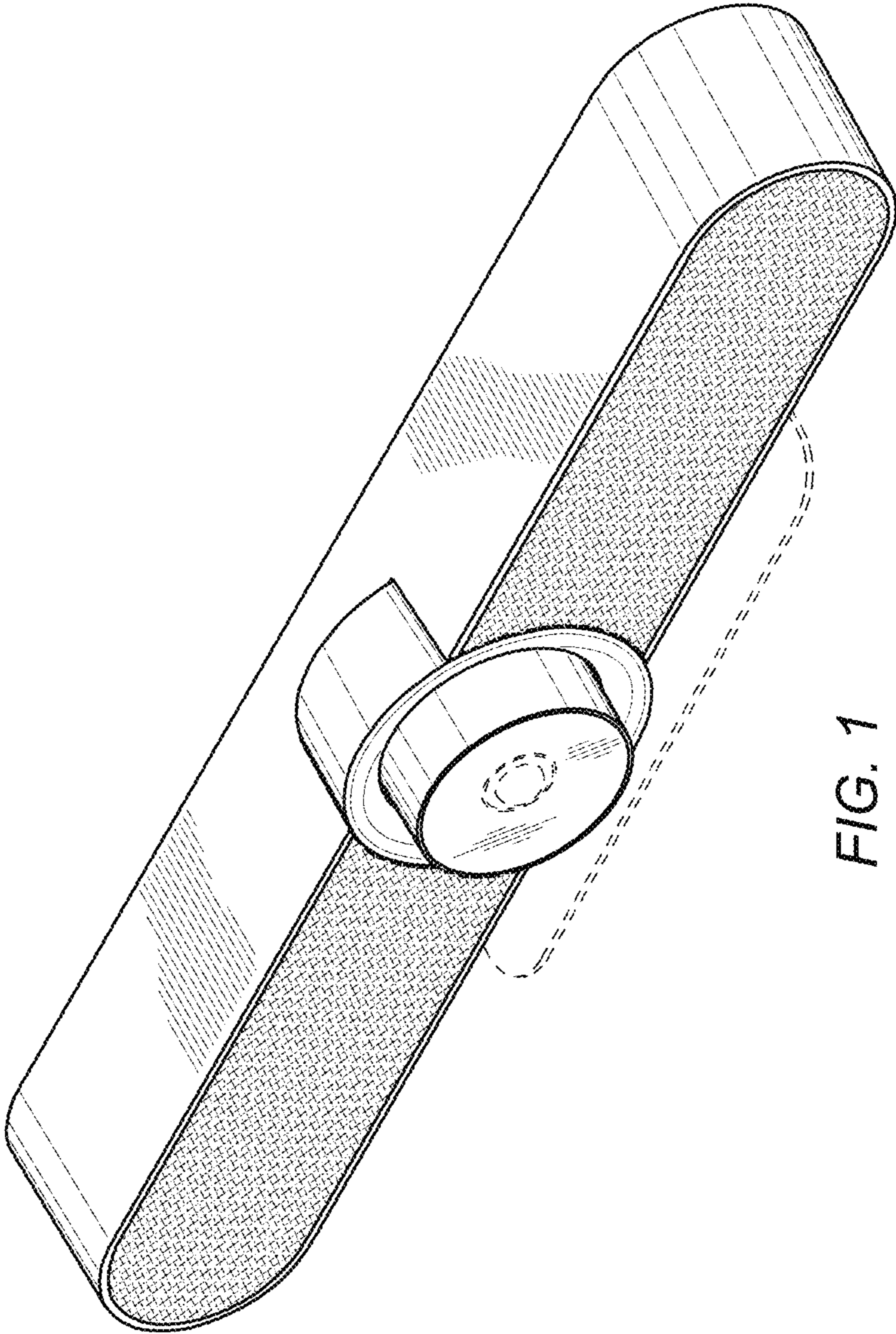
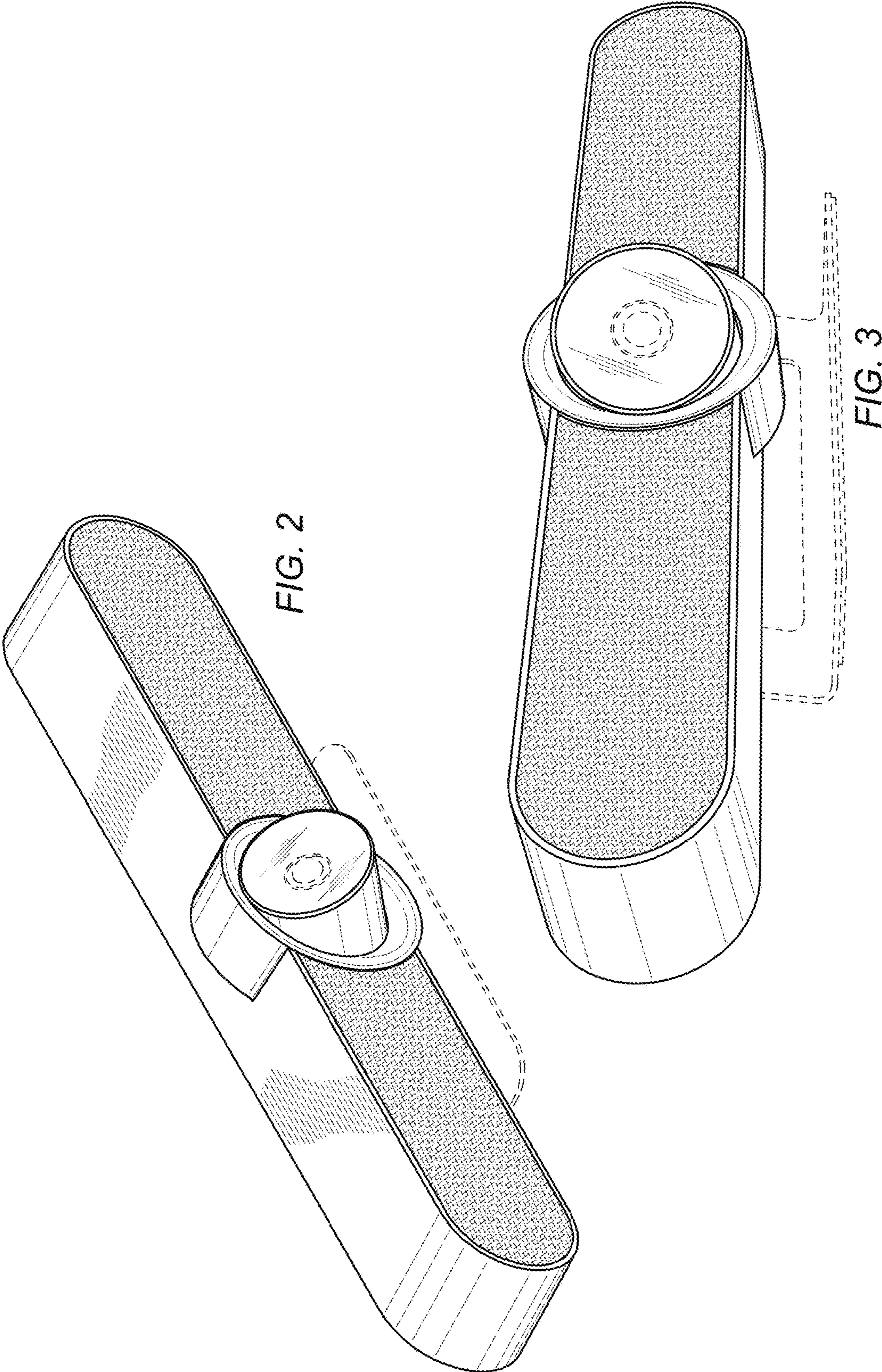


FIG. 1



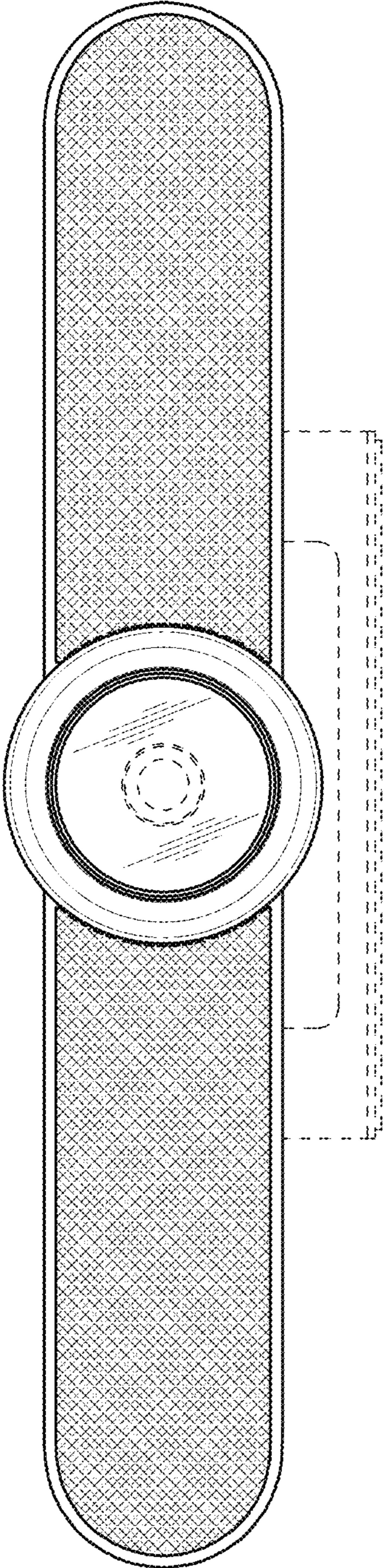


FIG. 4

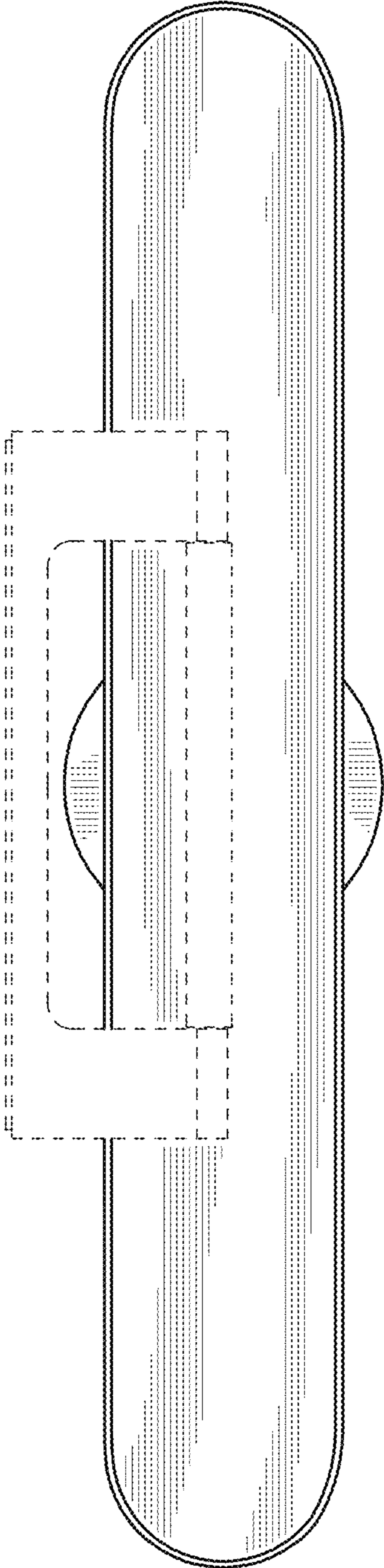


FIG. 5

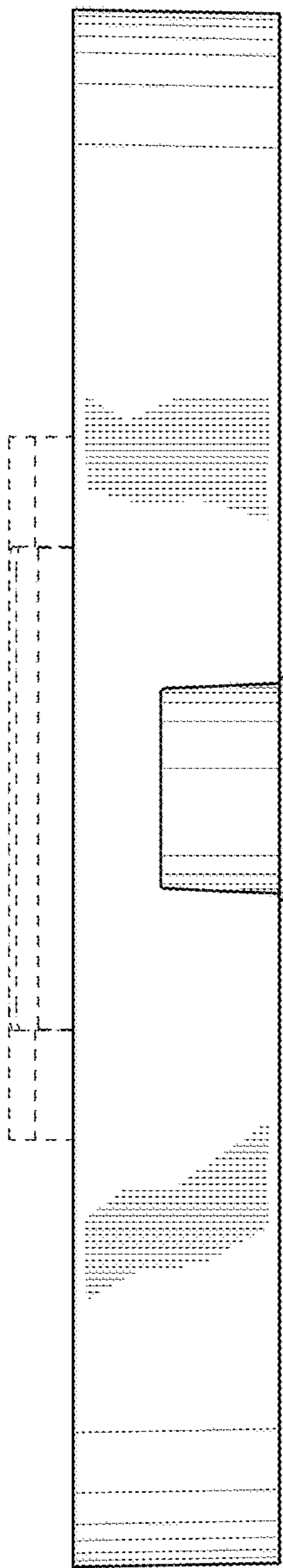


FIG. 6

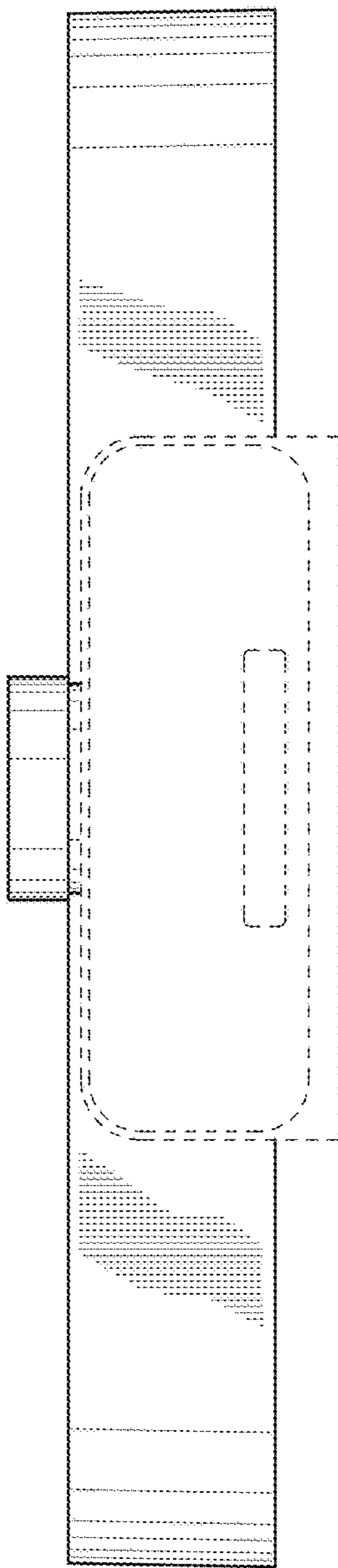


FIG. 7

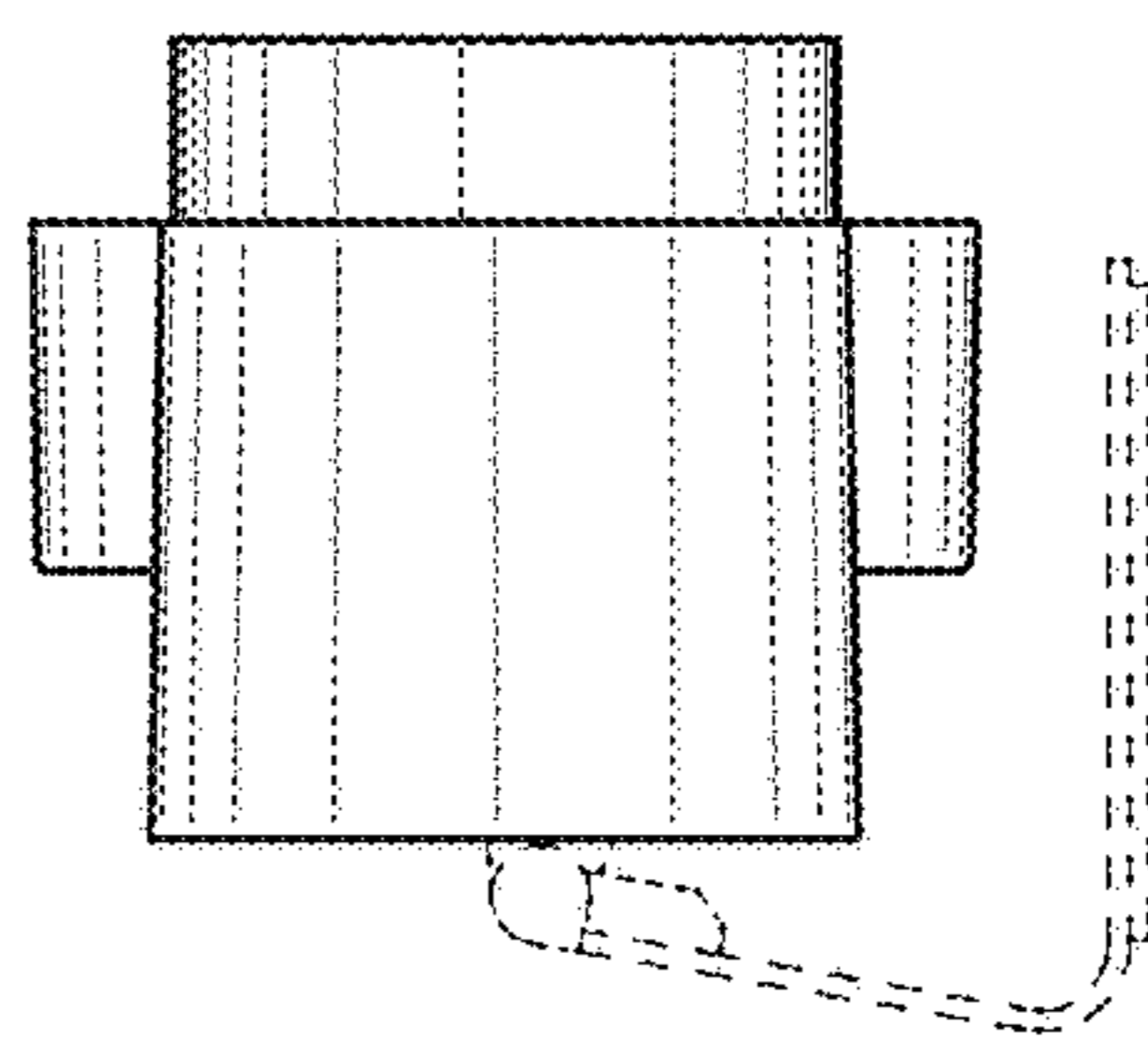


FIG. 8

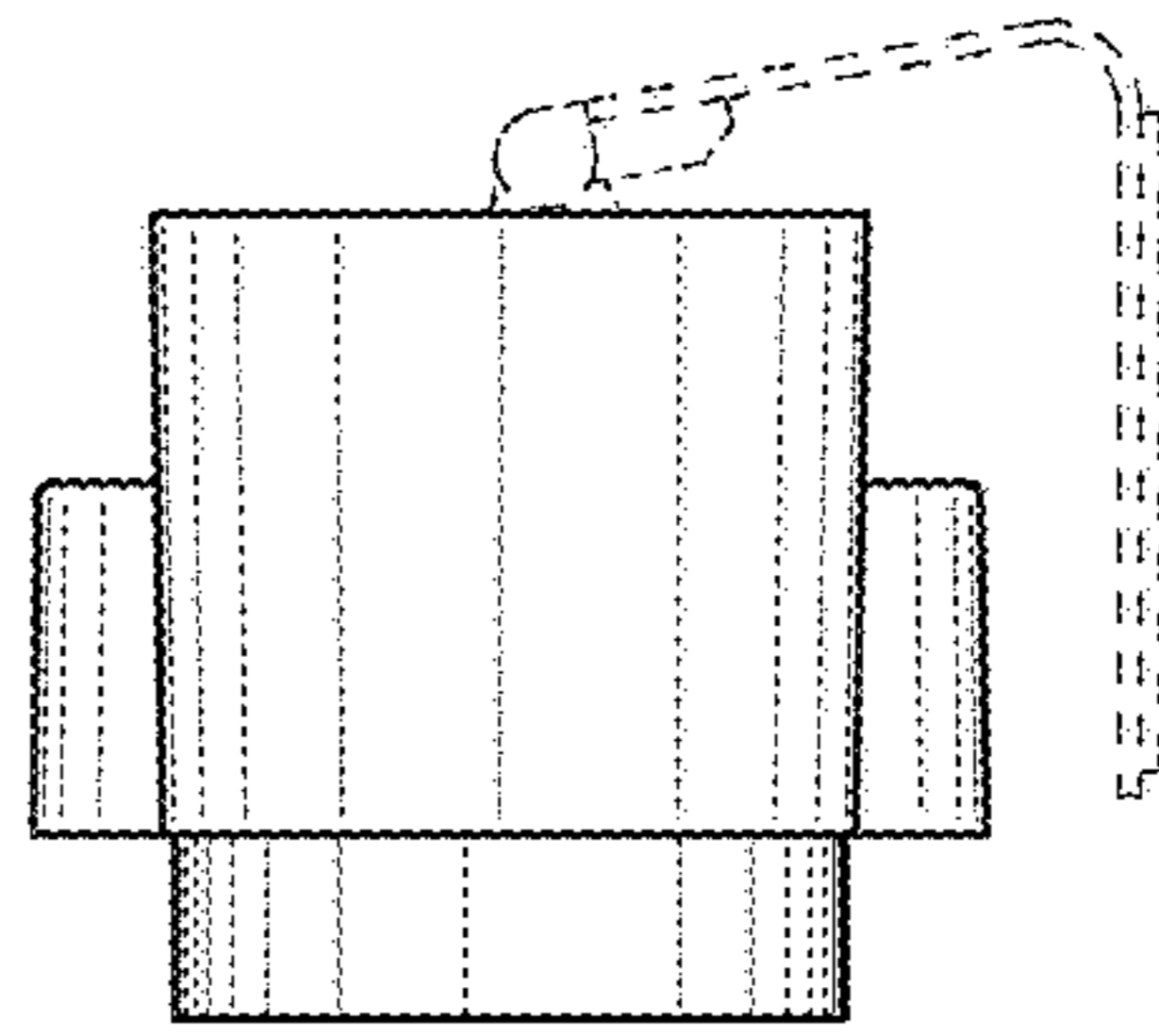


FIG. 9