



US00D849085S

(12) **United States Design Patent** (10) **Patent No.:** **US D849,085 S**  
**Fuller** (45) **Date of Patent:** **\*\* May 21, 2019**

- (54) **CAMERA**
- (71) Applicant: **Opkix, Inc.**, Costa Mesa, CA (US)
- (72) Inventor: **Ryan M. Fuller**, Newport Beach, CA (US)
- (73) Assignee: **Opkix, Inc.**, Costa Mesa, CA (US)
- (\*\*) Term: **15 Years**
- (21) Appl. No.: **29/619,041**
- (22) Filed: **Sep. 26, 2017**
- (51) **LOC (11) Cl.** ..... **16-01**
- (52) **U.S. Cl.**  
USPC ..... **D16/202; D16/208**
- (58) **Field of Classification Search**  
USPC ..... D16/200, 202-206, 208-209, 212, 218, D16/219, 330, 335, 336, 341; D14/356, D14/372; 348/373-376; 396/448, 535, 396/539-541  
CPC ..... G03B 15/03; G03B 17/02; G03B 17/04; G03B 17/56; G03B 19/04; H04N 5/2251; H04N 5/2252; H04N 5/2253; H04N 5/2254; H04N 2101/00  
See application file for complete search history.

- D563,450 S \* 3/2008 Cheng ..... D16/200
- D613,784 S \* 4/2010 Wang ..... D16/203
- D633,543 S \* 3/2011 Park ..... D16/203
- D675,668 S \* 2/2013 Johnson ..... D16/335
- D732,100 S \* 6/2015 Jeong ..... D16/203
- D739,888 S \* 9/2015 Liang ..... D16/203
- D785,068 S \* 4/2017 Patsis ..... D16/200
- D792,400 S \* 7/2017 Osterhout ..... D14/372

\* cited by examiner

*Primary Examiner* — Ramzi S Almatrahi

(74) *Attorney, Agent, or Firm* — Knobbe, Martens, Olson & Bear, LLP

(57) **CLAIM**

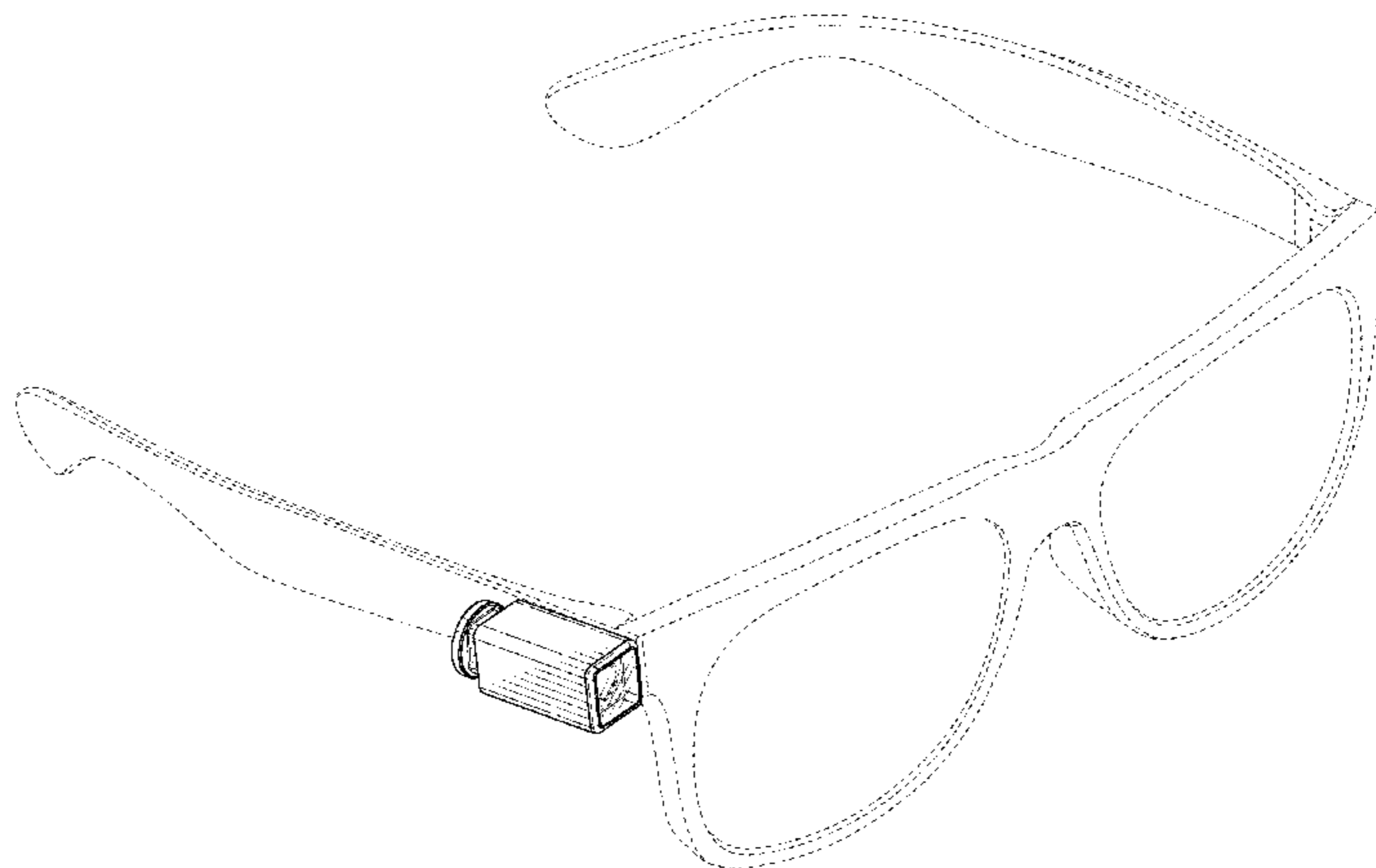
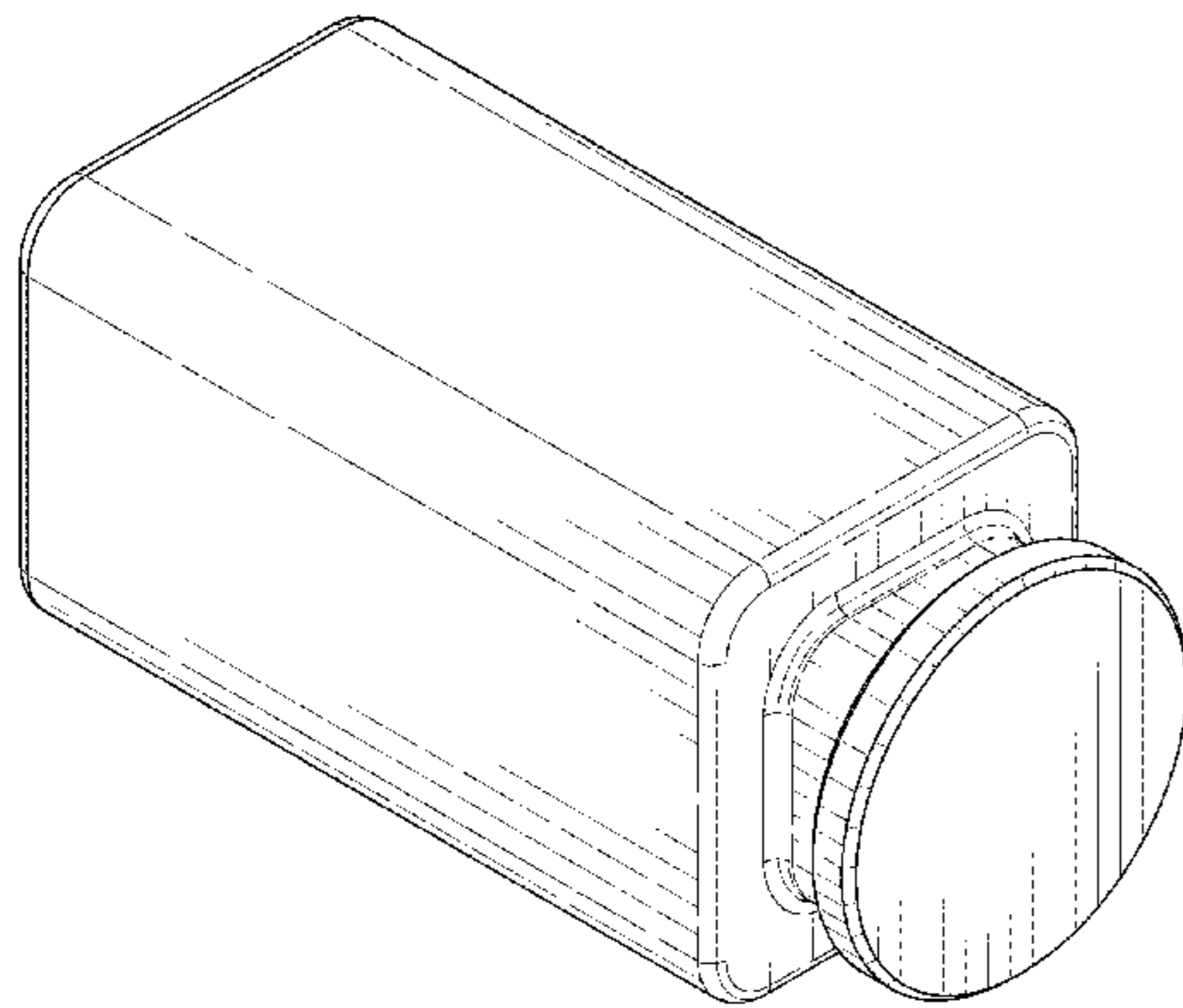
The ornamental design for a camera, as shown and described.

**DESCRIPTION**

FIG. 1 is a rear perspective view of a camera;  
 FIG. 2 is rear view thereof;  
 FIG. 3 is a front view thereof;  
 FIG. 4 is a side view thereof;  
 FIG. 5 is a top and front perspective view thereof, shown in condition of use with a pair of eyeglasses disclosed in broken lines to illustrate an environment;  
 FIG. 6 is a front view thereof;  
 FIG. 7 is a rear view thereof;  
 FIG. 8 is a side view thereof;  
 FIG. 9 is a bottom view thereof; and,  
 FIG. 10 is a top view thereof.

The broken lines depict portions of the camera in which the design is embodied that form no part of the claimed design. Additionally, the broken lines showing a pair of eyeglasses in FIGS. 5-10 represent environmental structure and form no part of the claimed design.

**1 Claim, 6 Drawing Sheets**



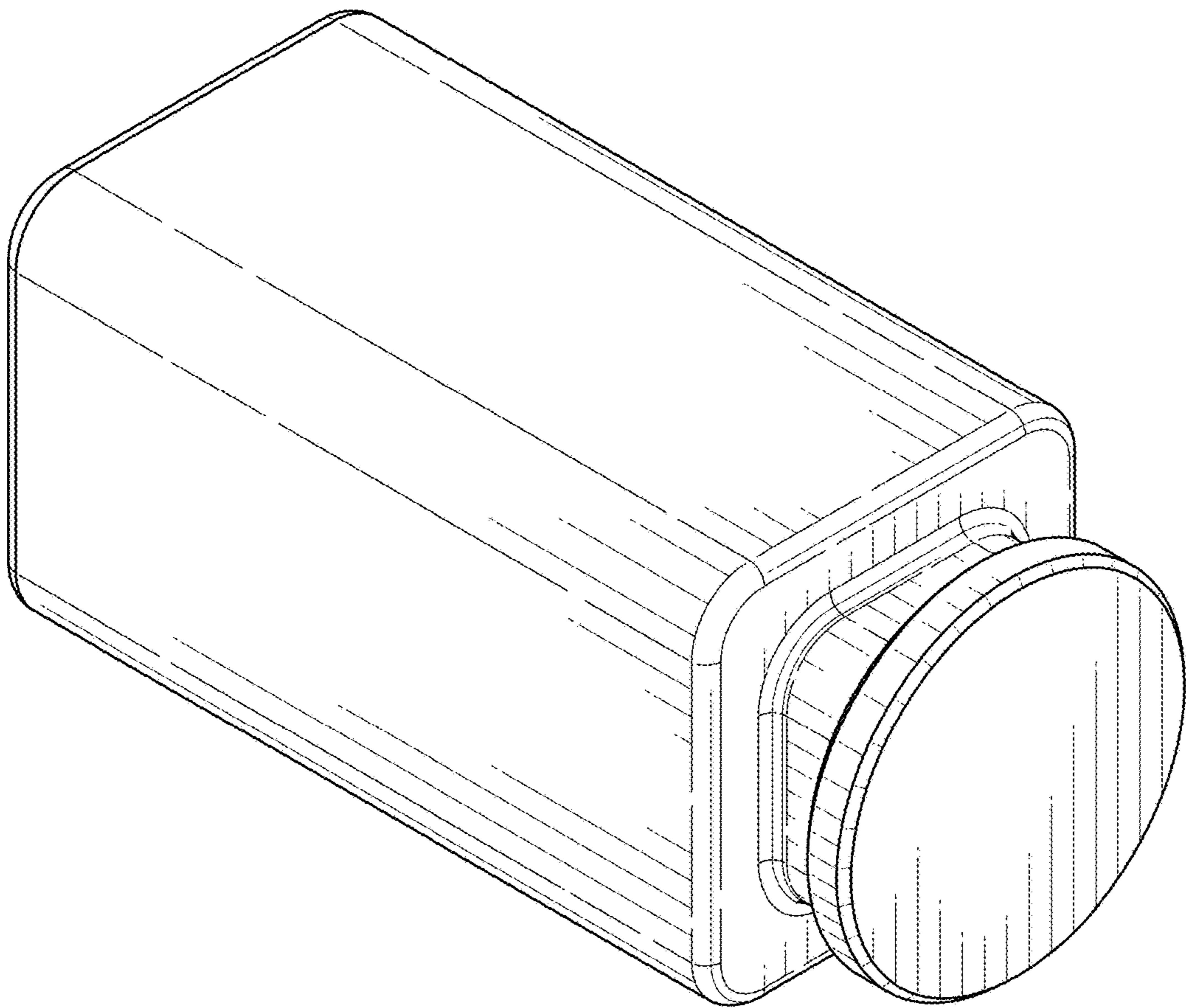


FIG. 1

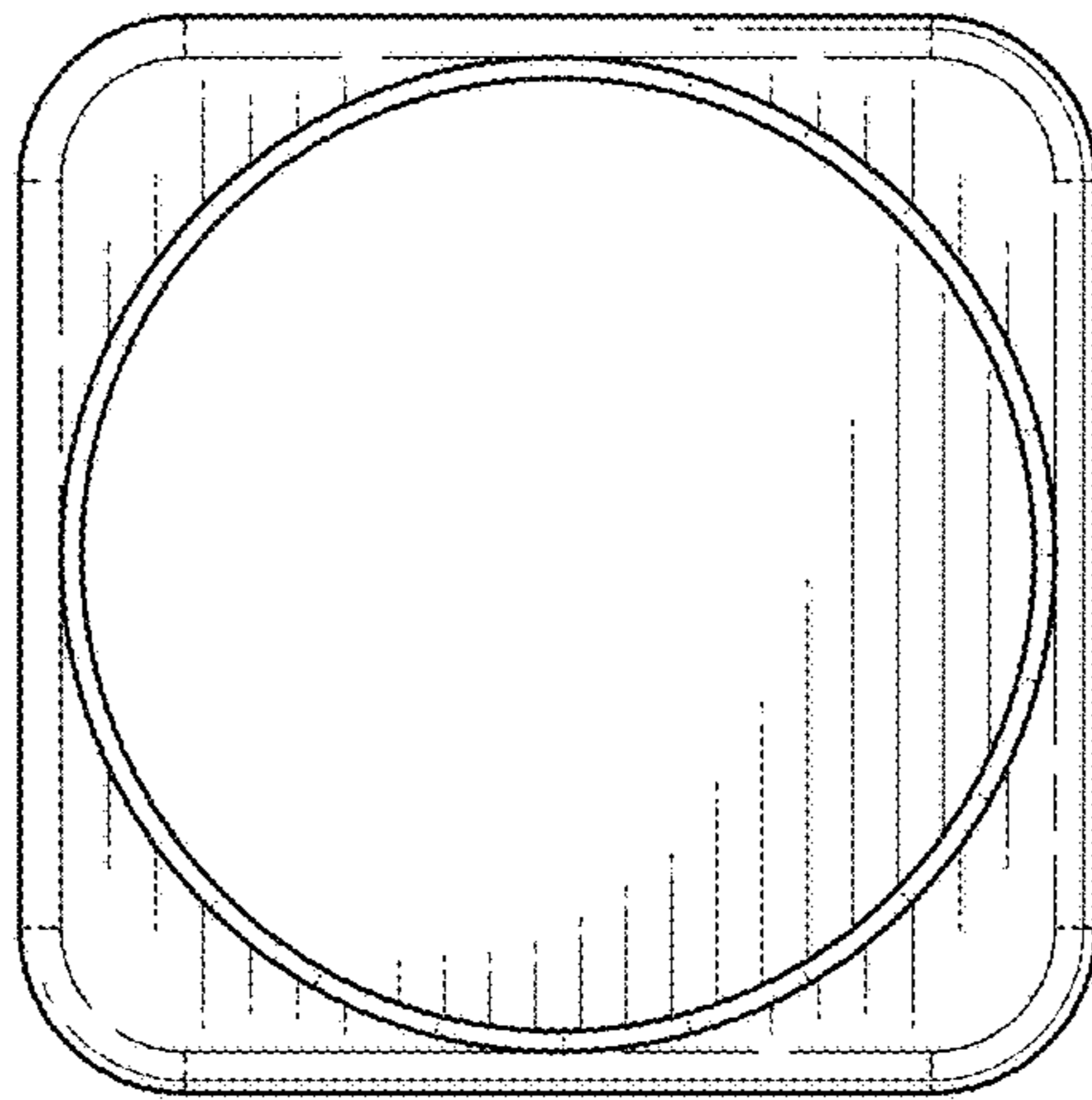


FIG. 2

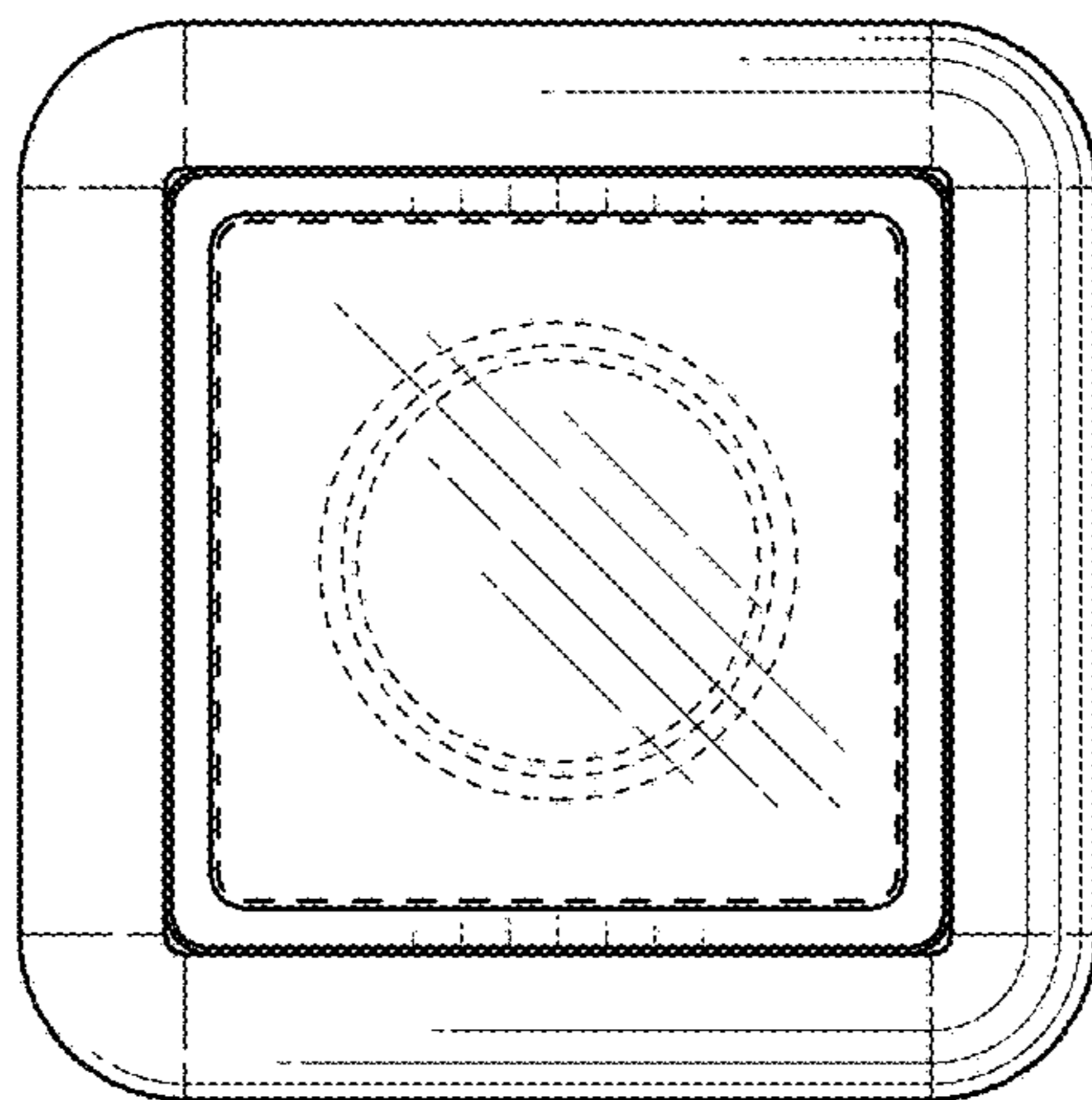


FIG. 3

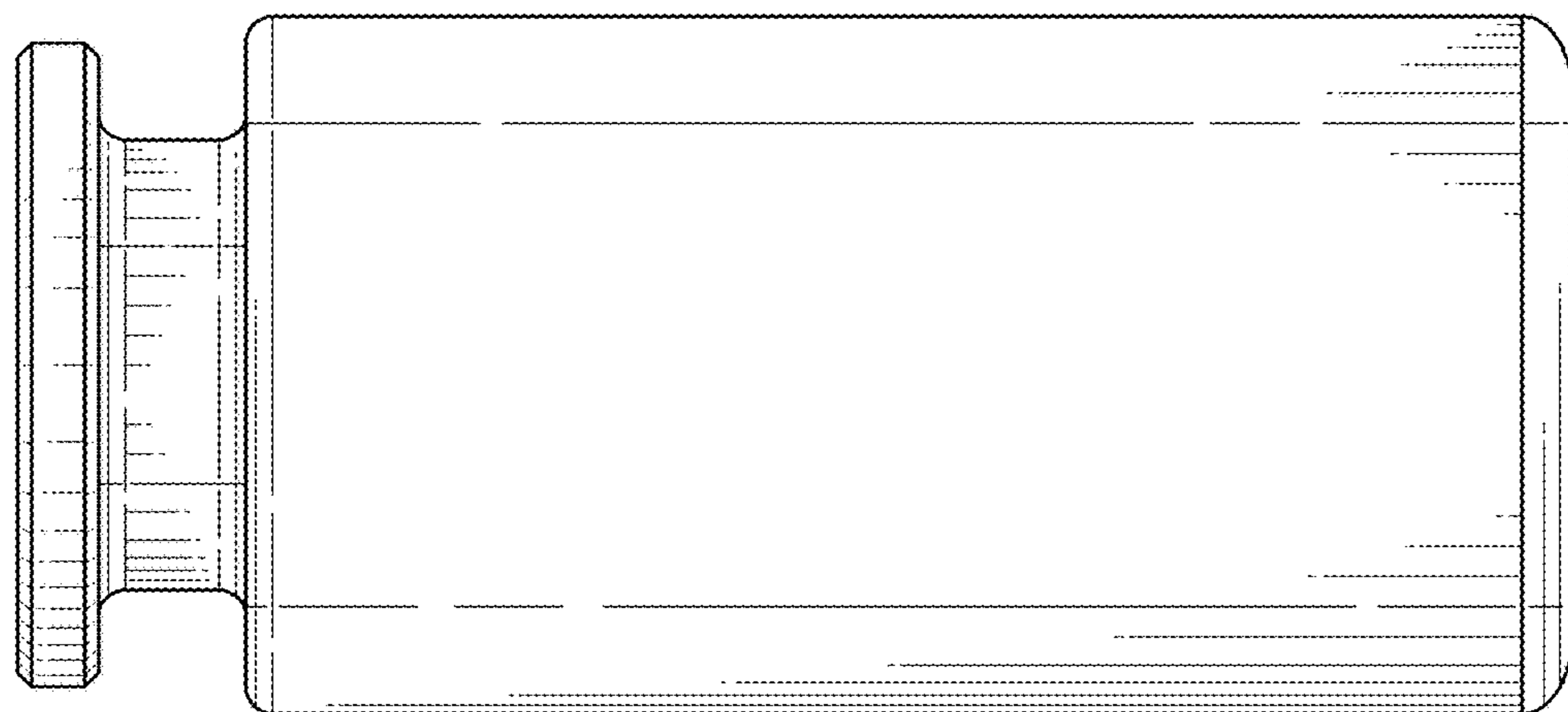


FIG. 4

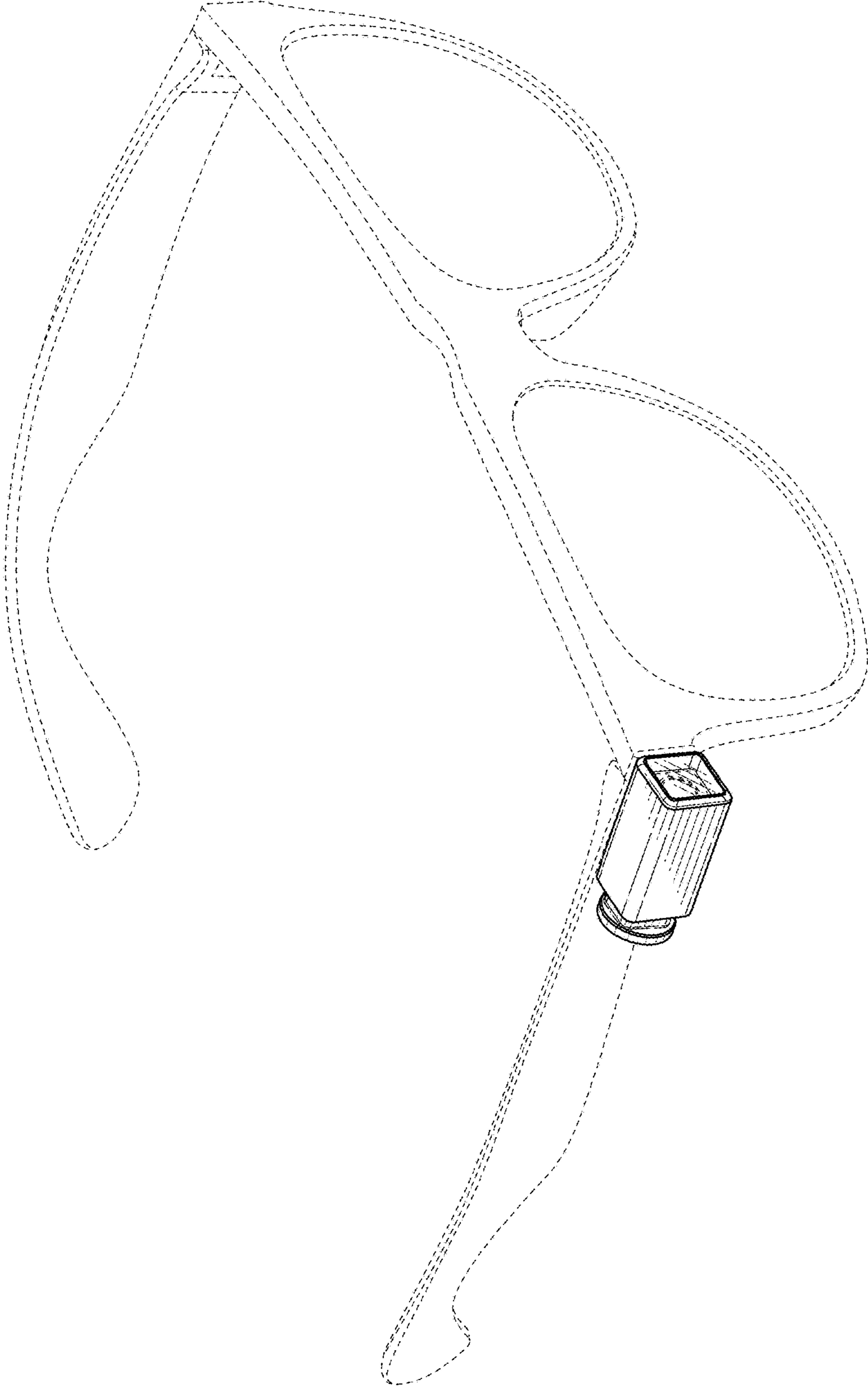


FIG. 5

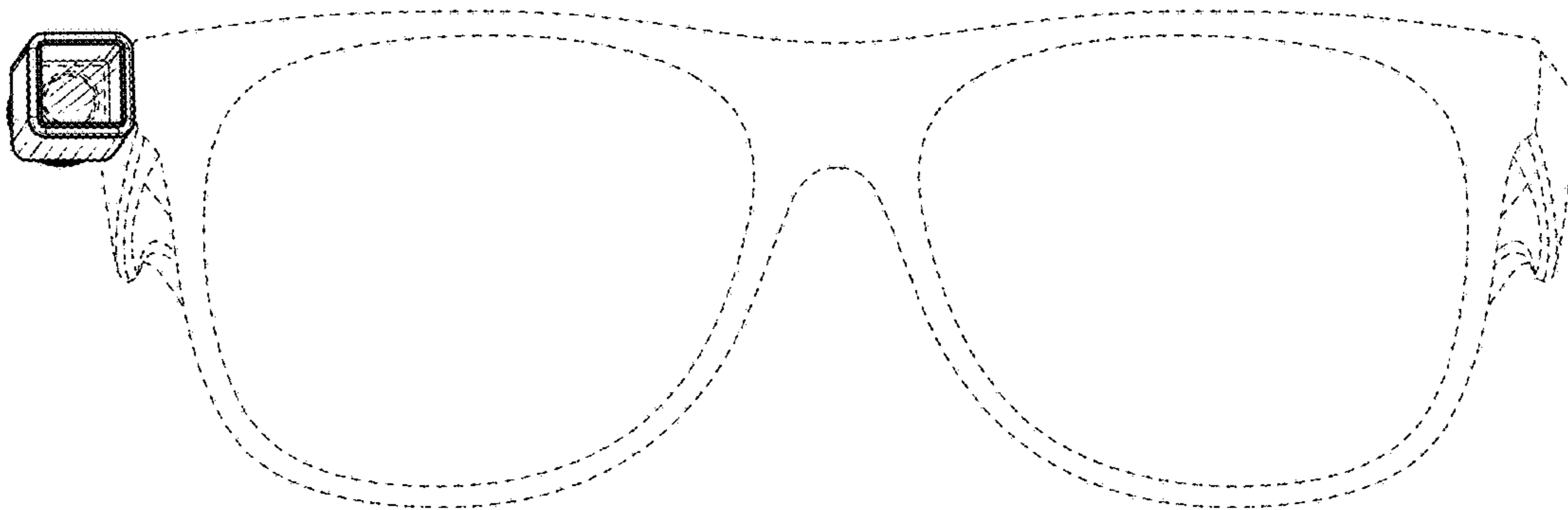


FIG. 6

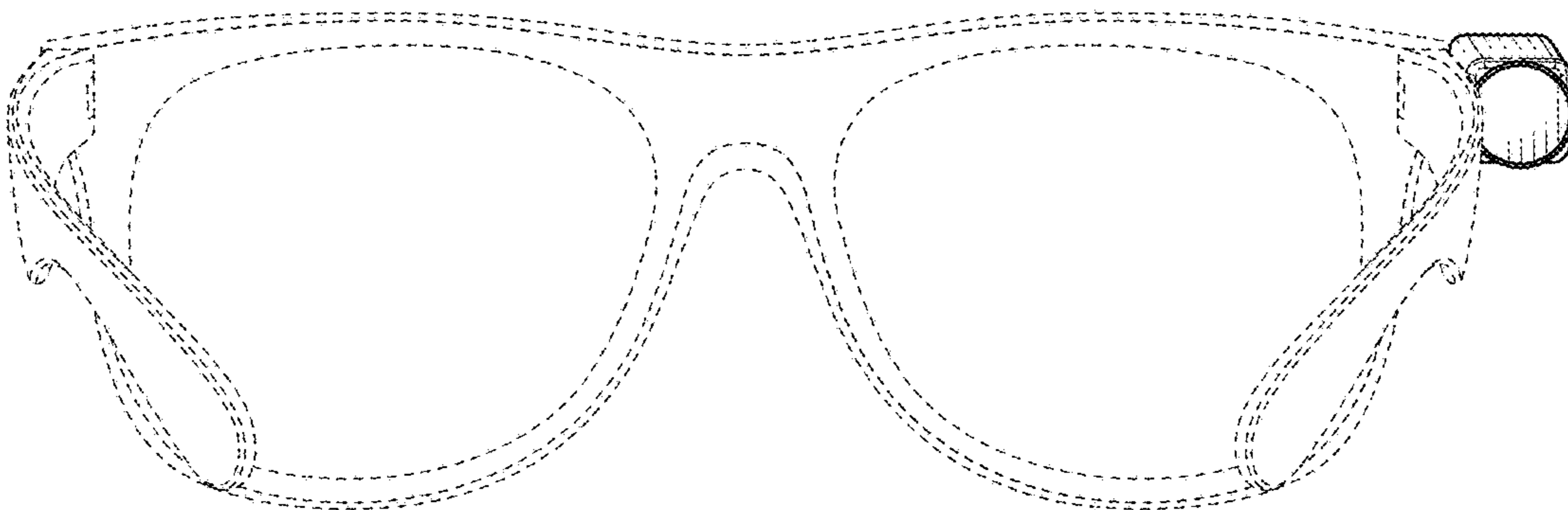


FIG. 7

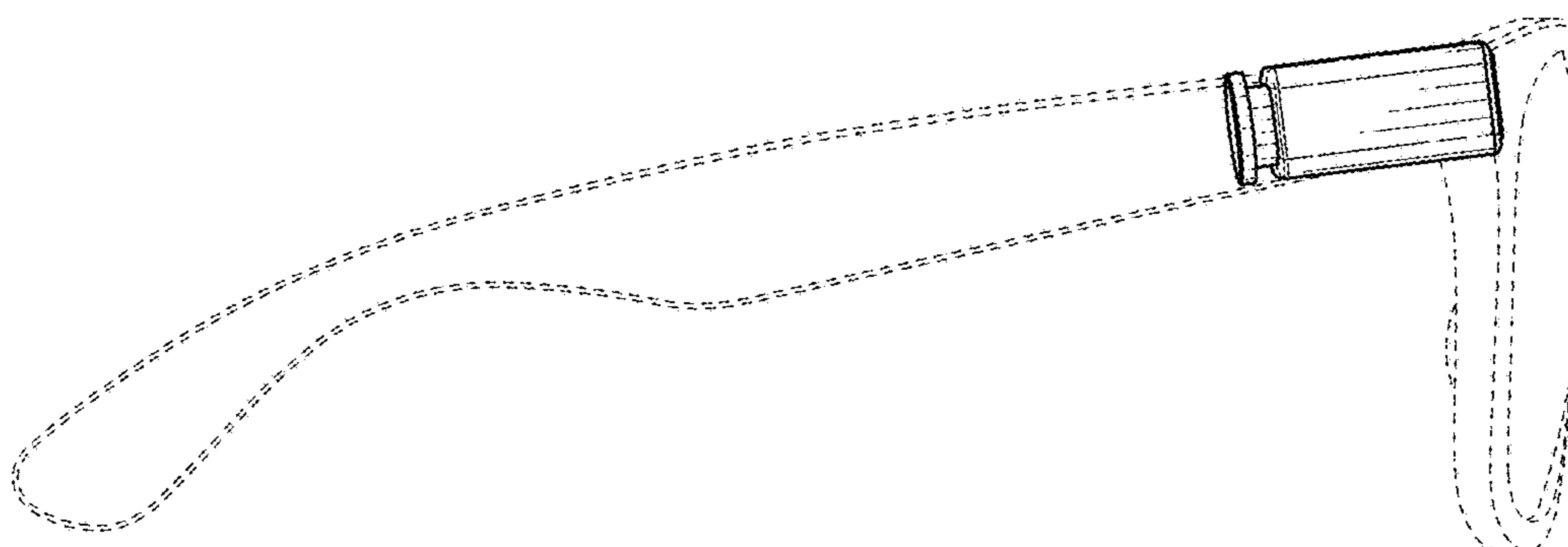


FIG. 8

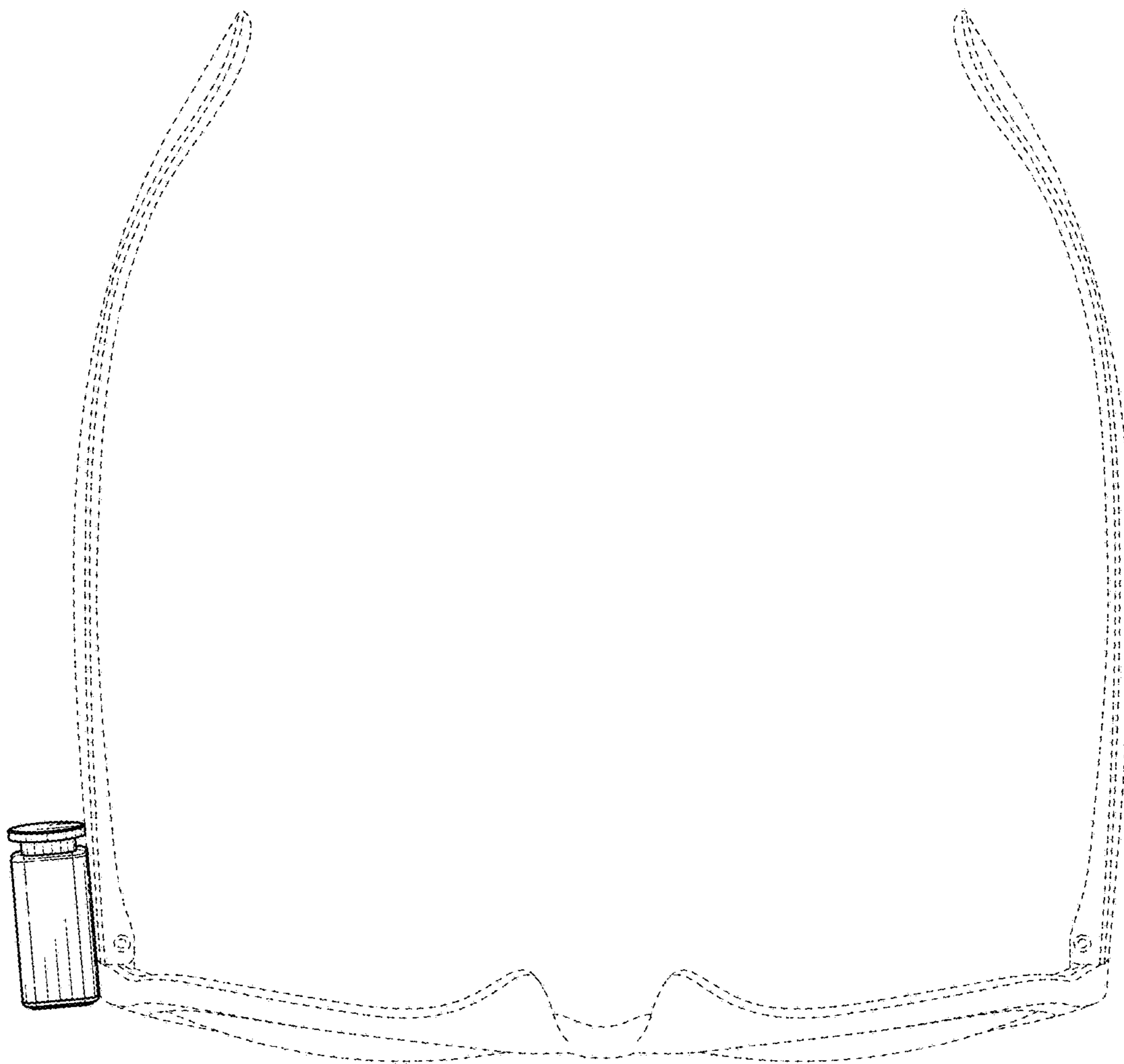


FIG. 9

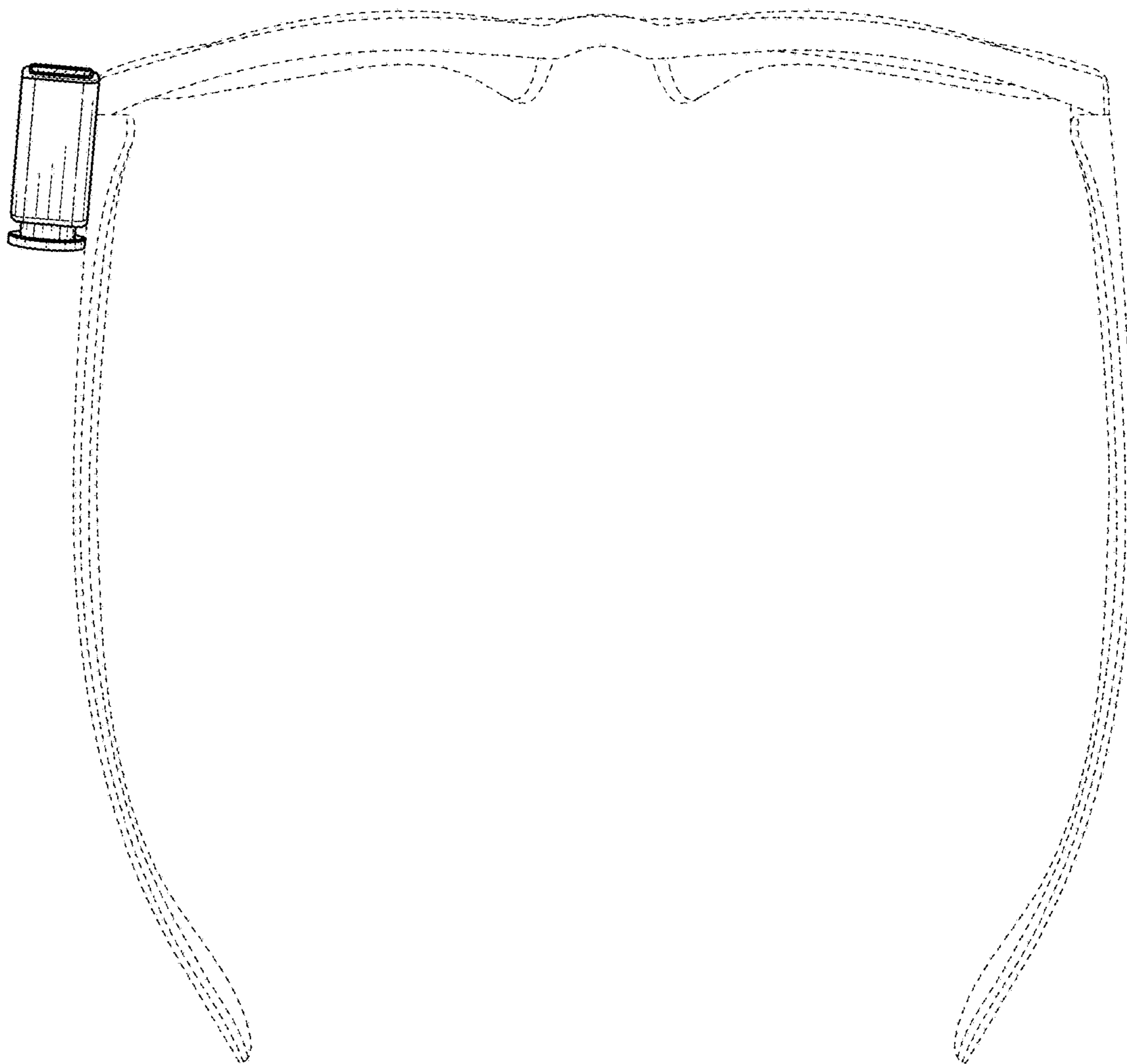


FIG. 10