



US00D849084S

(12) **United States Design Patent**
Hu

(10) **Patent No.:** **US D849,084 S**

(45) **Date of Patent:** **** May 21, 2019**

(54) **SPORTS CAMERA**

(71) Applicant: **Shenzhen Baker AV Digital Technology Co., Ltd.**, Guangdong (CN)

(72) Inventor: **Zhihui Hu**, Guangdong (CN)

(**) Term: **15 Years**

(21) Appl. No.: **29/618,044**

(22) Filed: **Sep. 19, 2017**

(51) **LOC (11) Cl.** **16-01**

(52) **U.S. Cl.**
USPC **D16/202**

(58) **Field of Classification Search**
USPC D16/200, 202–207, 208–210, 212, 218, D16/219; 348/373–376; 396/448, 535, 396/539–541
CPC G03B 15/03; G03B 17/02; G03B 17/04; G03B 17/56; G03B 19/04; H04N 5/2251; H04N 5/2252; H04N 5/2253; H04N 5/2254; H04N 2101/00

See application file for complete search history.

(56) **References Cited**

U.S. PATENT DOCUMENTS

6,788,887 B2 *	9/2004	Takeshita	G03B 17/06
				396/286
D533,574 S *	12/2006	Hamamura	D16/202
D548,256 S *	8/2007	Hase	D16/202
7,768,727 B2 *	8/2010	Iida	G02B 7/102
				359/819
7,801,439 B2 *	9/2010	Nagata	G03B 17/12
				396/301

D721,395 S *	1/2015	Woodman	D16/218
D737,879 S *	9/2015	Woodman	D16/218
D772,966 S *	11/2016	Song	D16/200
D777,232 S *	1/2017	Lillquist	D16/202
D789,435 S *	6/2017	Nguyen	D16/202
D790,002 S *	6/2017	Nguyen	D16/218
D793,463 S *	8/2017	Houin	D16/202
D800,202 S *	10/2017	Hu	D16/218

* cited by examiner

Primary Examiner — Ramzi S Almatrahi

(74) *Attorney, Agent, or Firm* — Prakash Nama; Global IP Services, PLLC

(57) **CLAIM**

The ornamental design for a sports camera, as shown and described.

DESCRIPTION

FIG. 1 is a front elevational view of a sports camera showing my new design;

FIG. 2 is a rear elevational view thereof;

FIG. 3 is a left side elevational view thereof;

FIG. 4 is a right side elevational view thereof;

FIG. 5 is a top plan view thereof;

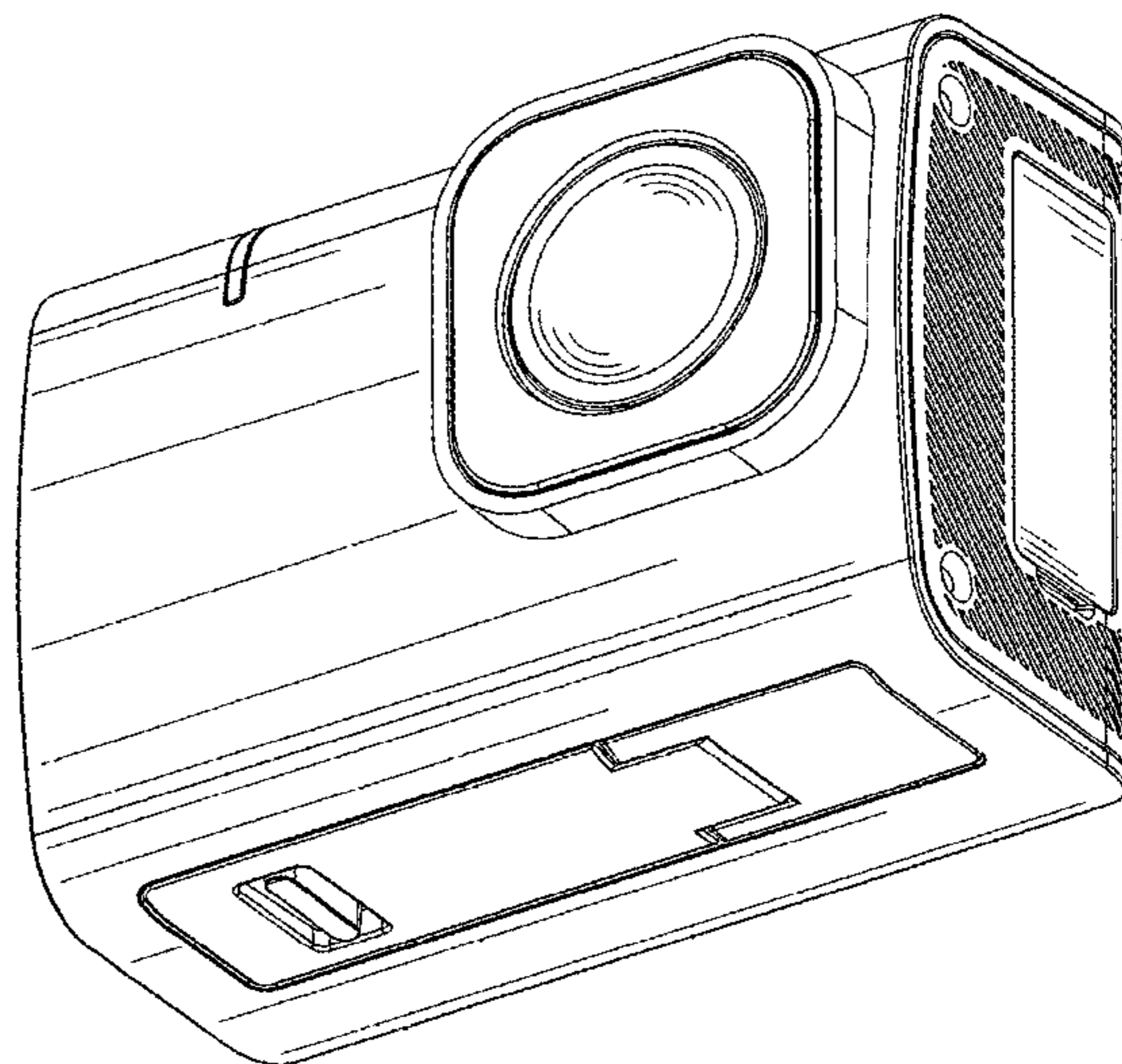
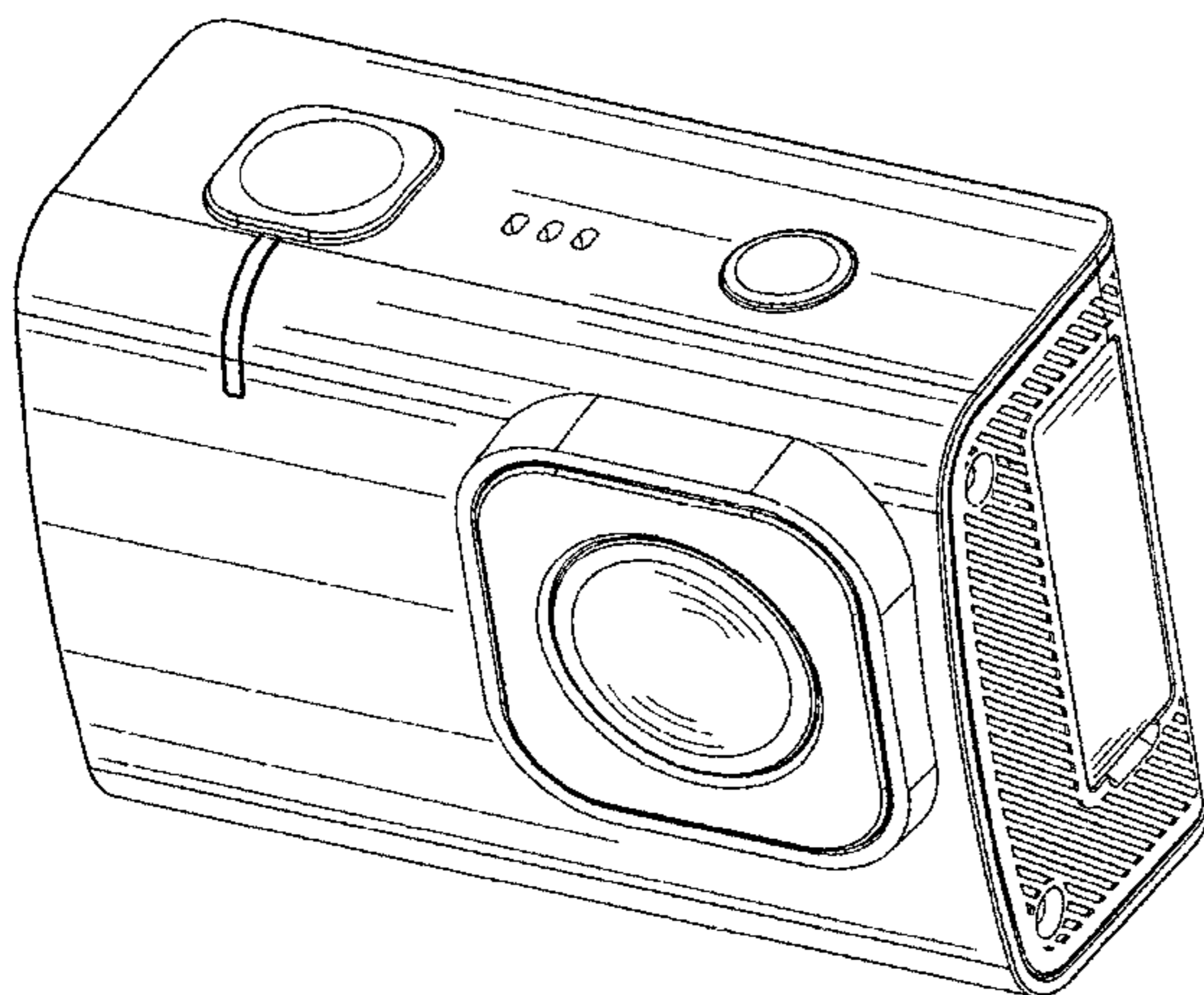
FIG. 6 is a bottom plan view thereof;

FIG. 7 is a top and front perspective view thereof; and,

FIG. 8 is a bottom and front perspective view thereof.

The broken lines depict portions of the sports camera in which the design is embodied that form no part of the claimed design.

1 Claim, 8 Drawing Sheets



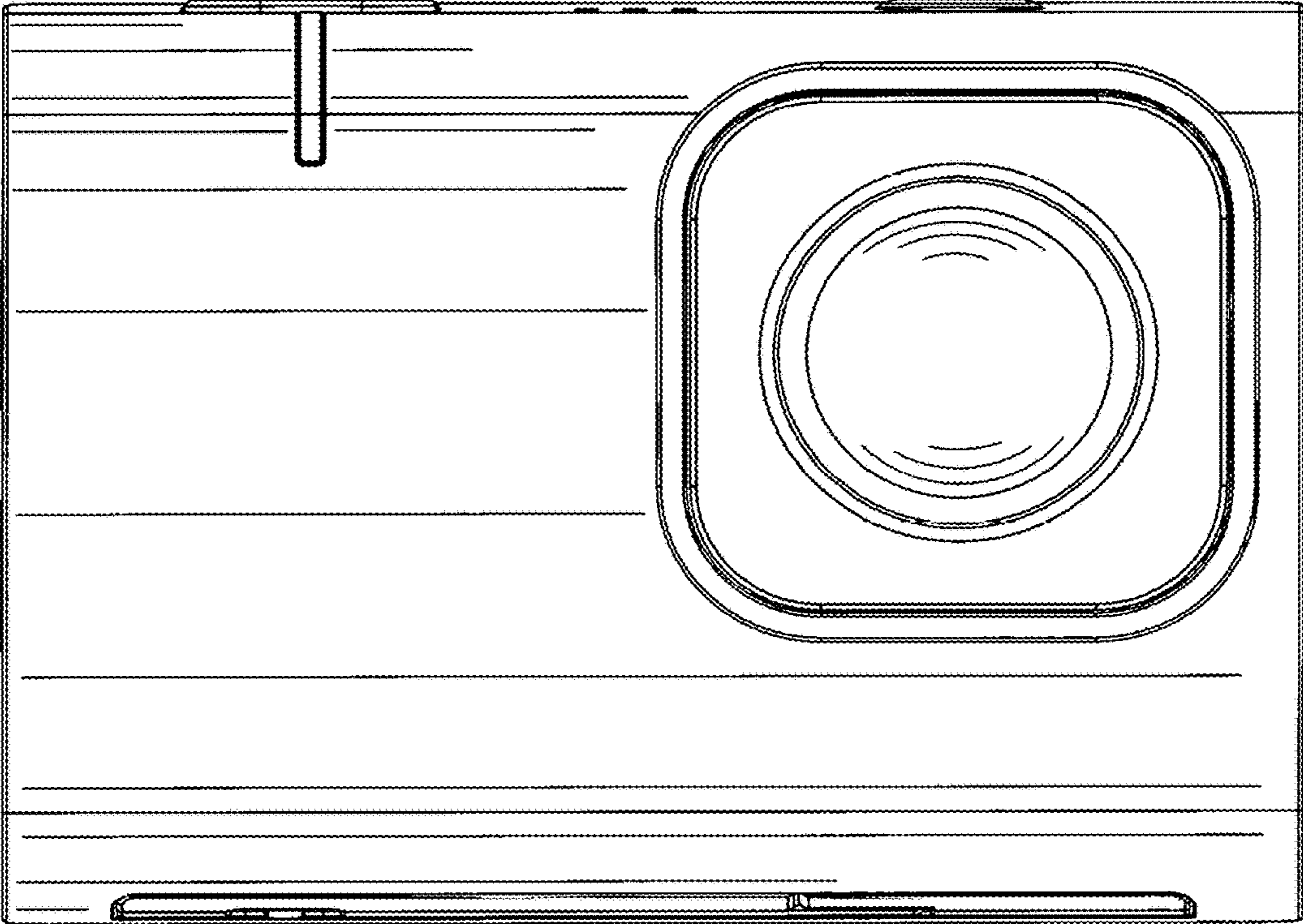


Fig. 1

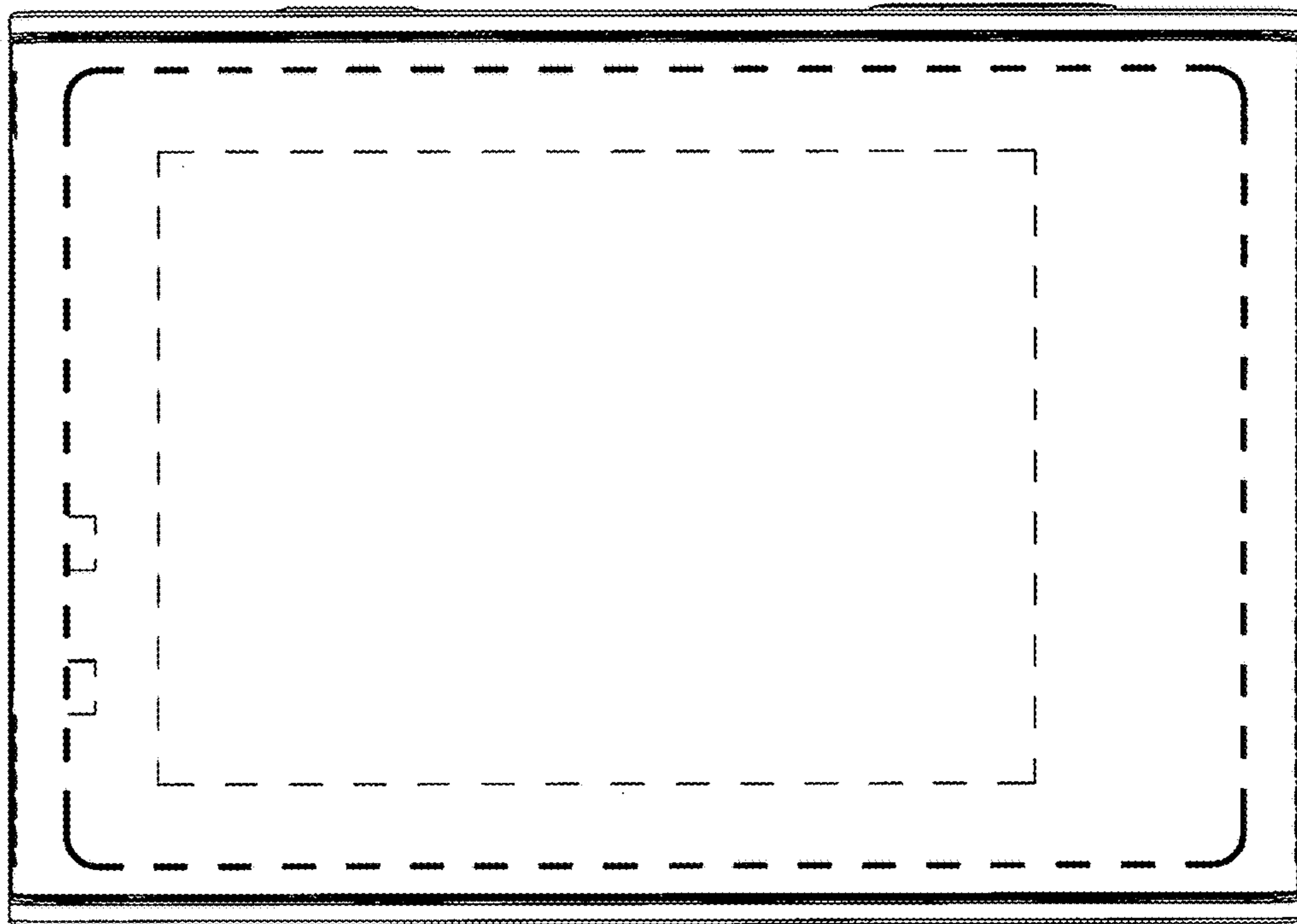


Fig. 2

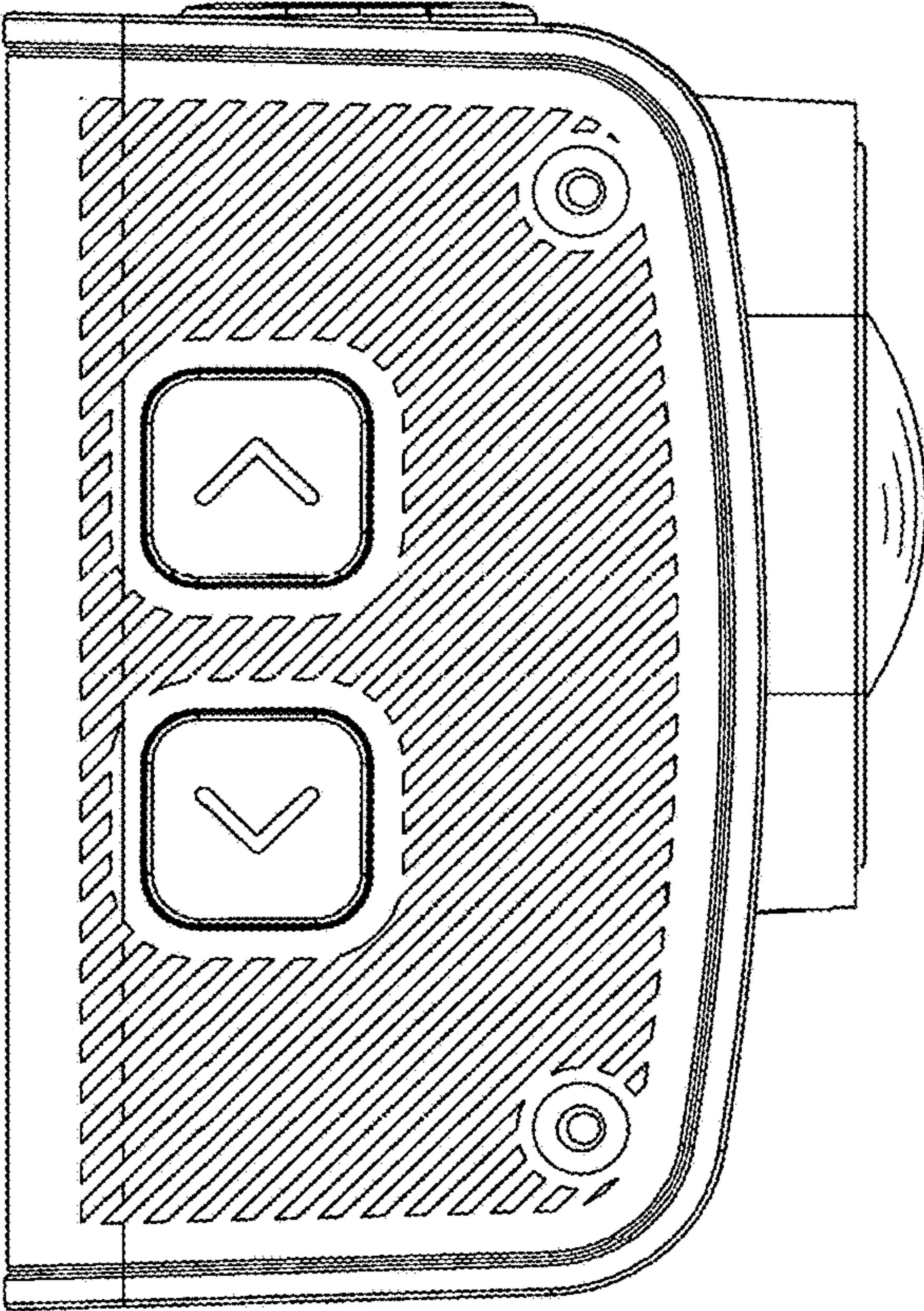


Fig. 3

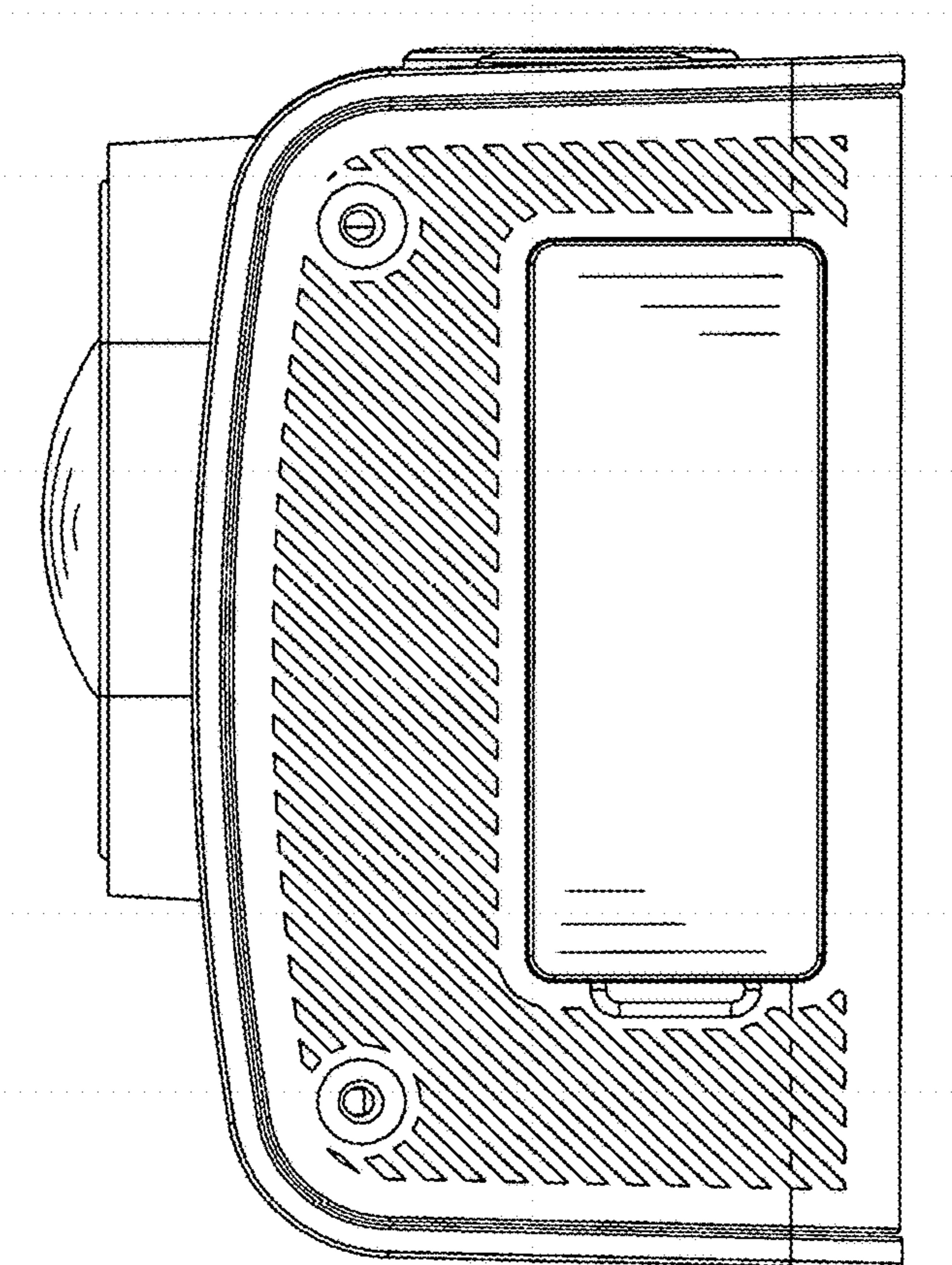


Fig. 4

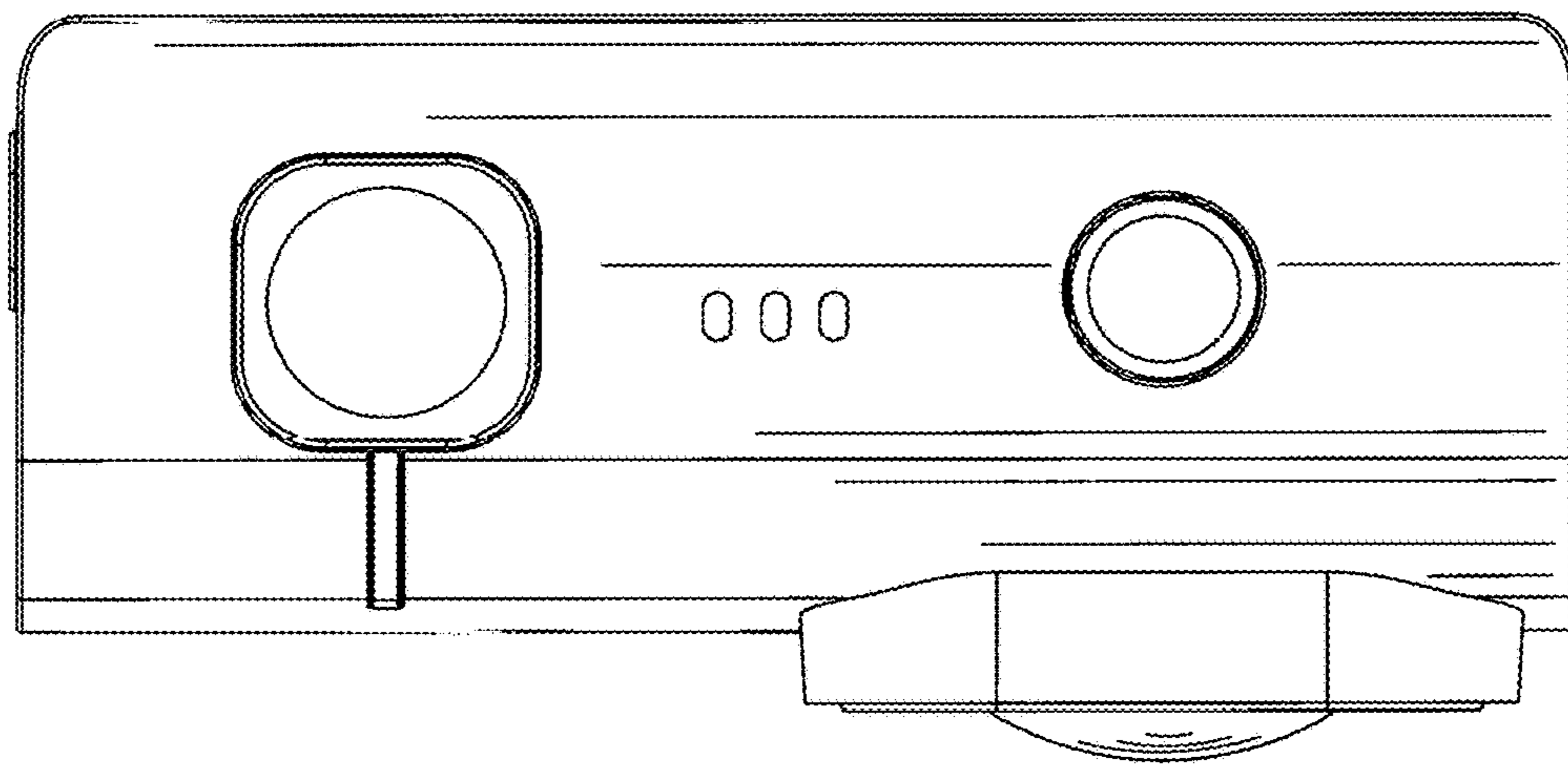


Fig. 5

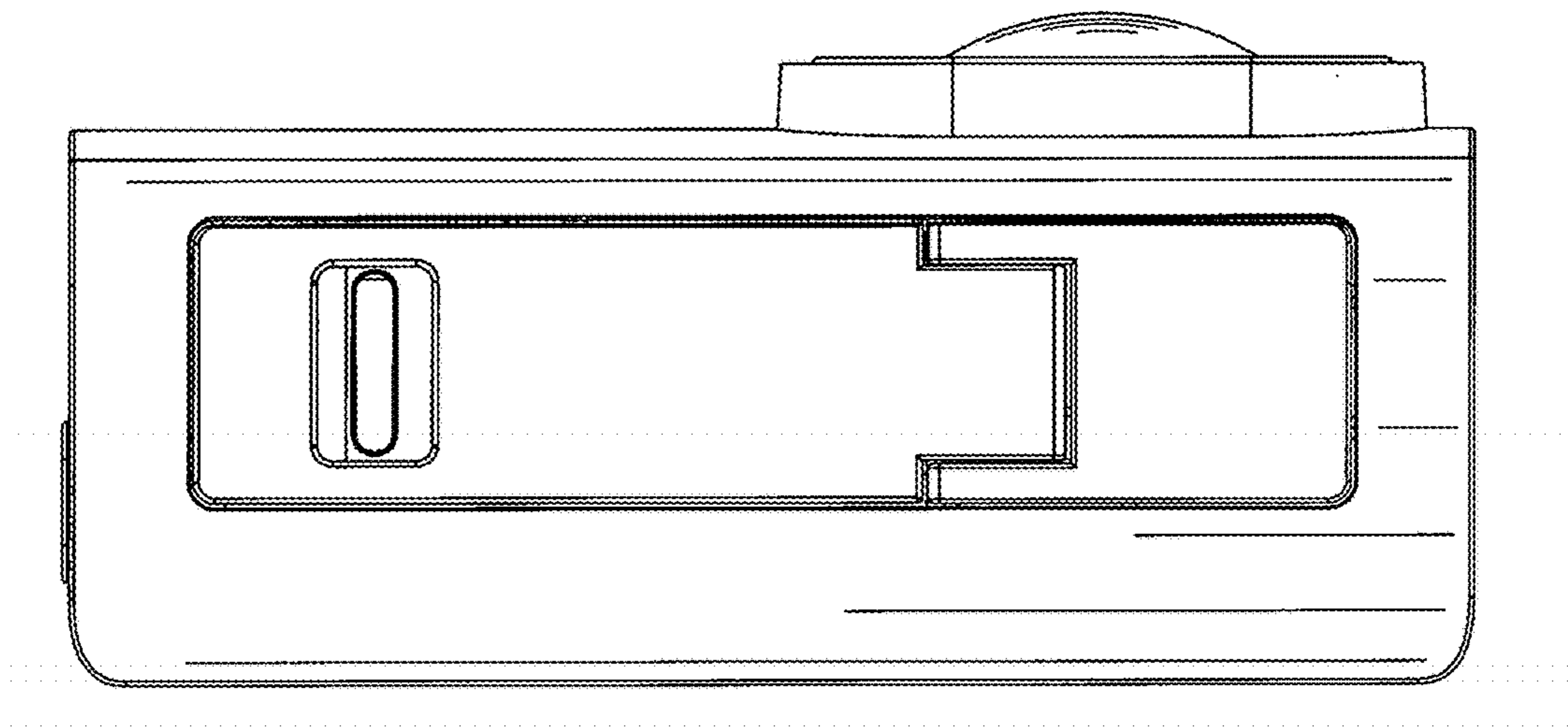


Fig. 6

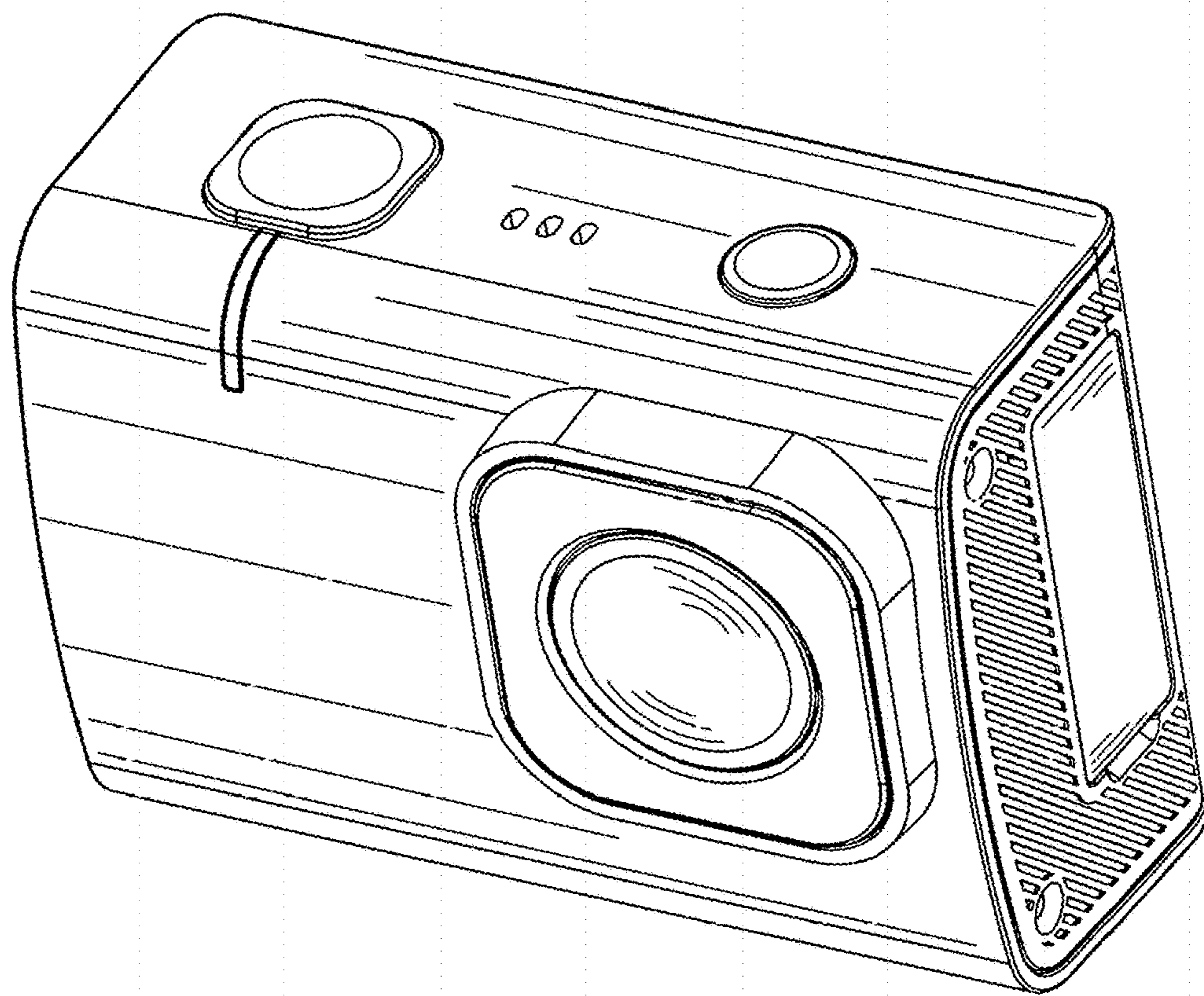


Fig. 7

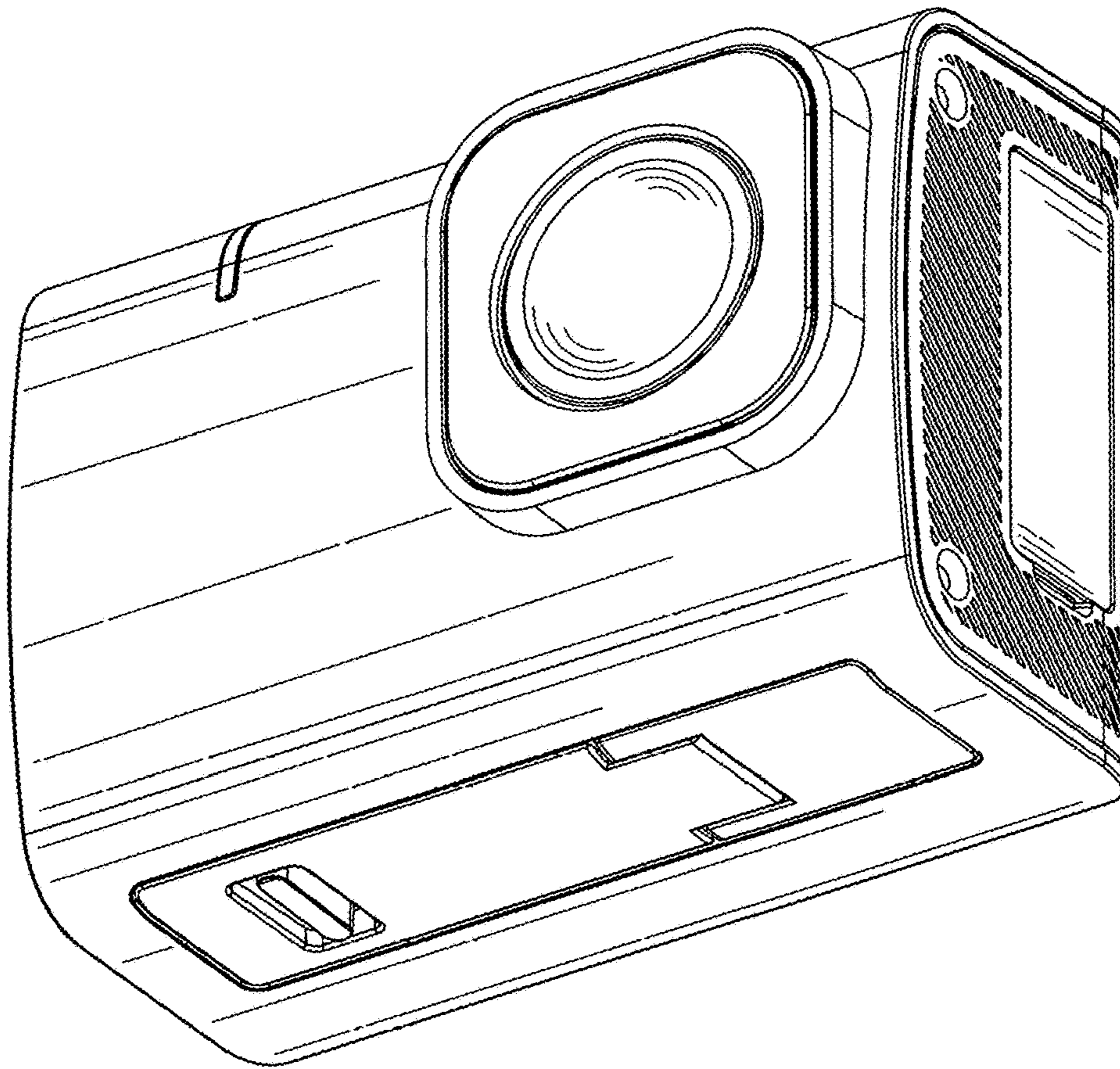


Fig. 8