



US00D849083S

(12) **United States Design Patent**  
**Dwyer, Jr. et al.**

(10) **Patent No.:** **US D849,083 S**  
(45) **Date of Patent:** **\*\* May 21, 2019**

(54) **CAMERA**

- (71) Applicant: **Hewlett-Packard Development Company, L.P.**, Houston, TX (US)
- (72) Inventors: **Dan R. Dwyer, Jr.**, Vancouver, WA (US); **Nathan Shirley**, Vancouver, WA (US); **Christopher Rives**, Vancouver, WA (US); **Robert Moser**, Vancouver, WA (US)
- (73) Assignee: **Hewlett-Packard Development Company, L.P.**, Spring, TX (US)
- (\*\*) Term: **15 Years**

- (21) Appl. No.: **29/617,856**
- (22) Filed: **Sep. 15, 2017**
- (51) **LOC (11) Cl.** ..... **16-01**
- (52) **U.S. Cl.**  
USPC ..... **D16/202**
- (58) **Field of Classification Search**  
USPC ..... D16/200, 202–206, 208–209, 212, 218, D16/219; 348/373–376; 396/448, 535, 396/539–541  
CPC ..... G03B 15/03; G03B 17/02; G03B 17/04; G03B 17/56; G03B 19/04; H04N 5/2251; H04N 5/2252; H04N 5/2253; H04N 5/2254; H04N 2101/00  
See application file for complete search history.

(56) **References Cited**

**U.S. PATENT DOCUMENTS**

- 7,646,426 B2 \* 1/2010 Saiki ..... G06F 1/1626 348/373
- D668,281 S \* 10/2012 Nakamura ..... D16/202
- D683,781 S \* 6/2013 Imai ..... D16/202
- D684,204 S \* 6/2013 Uemachi ..... D16/200
- D689,535 S \* 9/2013 Nojima ..... D16/202
- D695,329 S \* 12/2013 Fujita ..... D16/202

(Continued)

**OTHER PUBLICATIONS**

HP Development Company, L.P., “HP Sprocket Photo Printer”, <http://www8.hp.com/us/en/printers/sprocket.html>, copyright 2017, accessed Sep. 15, 2017.

*Primary Examiner* — Ramzi S Almatrahi  
(74) *Attorney, Agent, or Firm* — Morgan Lewis & Bockius

(57) **CLAIM**

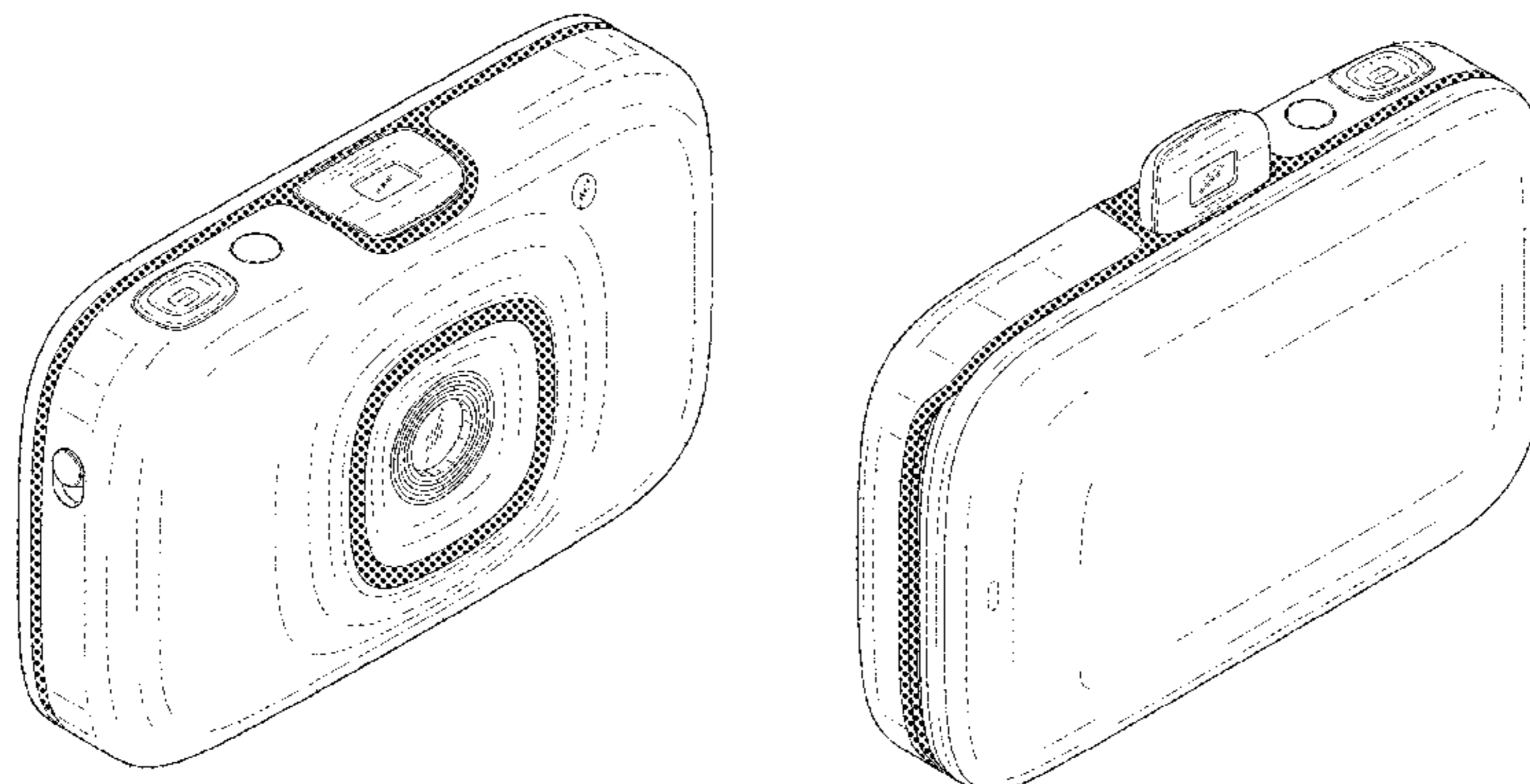
The ornamental design for a camera, as shown and described.

**DESCRIPTION**

FIG. 1 is a top, front, left side perspective view of a camera in accordance with our new design;  
 FIG. 2 is a top, rear, right side perspective view of the camera shown in FIG. 1;  
 FIG. 3 is a front elevational view of the camera shown in FIG. 1;  
 FIG. 4 is a rear elevational view of the camera shown in FIG. 1;  
 FIG. 5 is a top plan view of the camera shown in FIG. 1;  
 FIG. 6 is a bottom plan view of the camera shown in FIG. 1;  
 FIG. 7 is a left side elevational view of the camera shown in FIG. 1;  
 FIG. 8 is a right side elevational view of the camera shown in FIG. 1;  
 FIG. 9 is a top, front, left side perspective view of the camera shown in FIG. 1 with a viewfinder in a raised position; and,  
 FIG. 10 is a top, rear right side perspective view of the camera shown in FIG. 1 with the viewfinder in a raised position.

The broken lines depict portions of the camera in which the design is embodied that form no part of the claimed design. The surface with solid gray shading illustrates a contrast in features as compared to the surfaces with lined surface shading.

**1 Claim, 8 Drawing Sheets**



(56)

**References Cited**

U.S. PATENT DOCUMENTS

D695,805 S *	12/2013	Sakai .....	D16/202
D702,748 S *	4/2014	Muraki .....	D16/202
D707,742 S *	6/2014	Imamizu .....	D16/202
D717,353 S *	11/2014	Kobayashi .....	D16/202
D810,172 S *	2/2018	Miyashita .....	D16/219
2002/0041765 A1 *	4/2002	Onda .....	G03B 17/02 396/538
2011/0181771 A1 *	7/2011	Hazama .....	G03B 15/05 348/371

\* cited by examiner

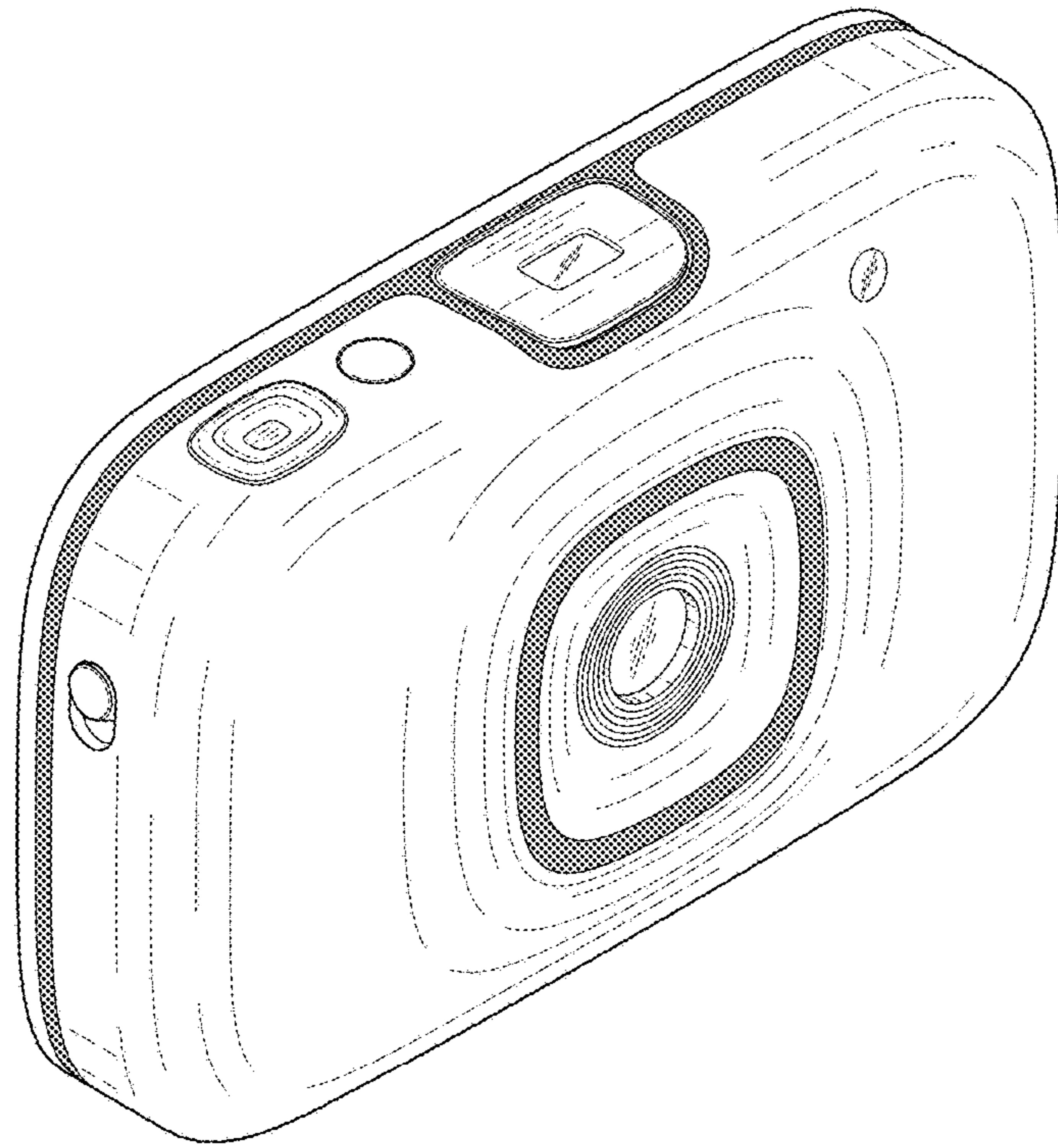


FIG. 1

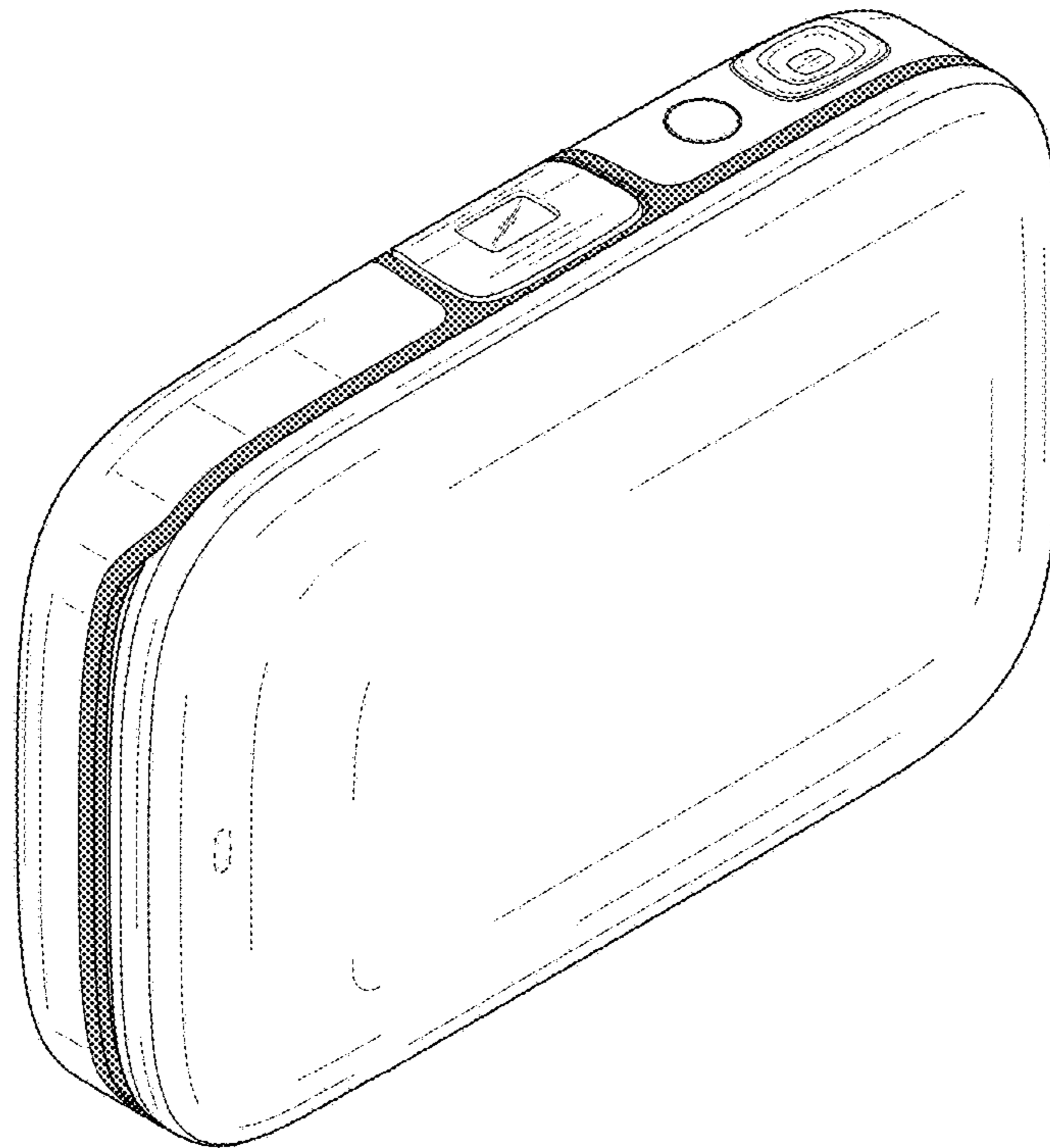


FIG. 2

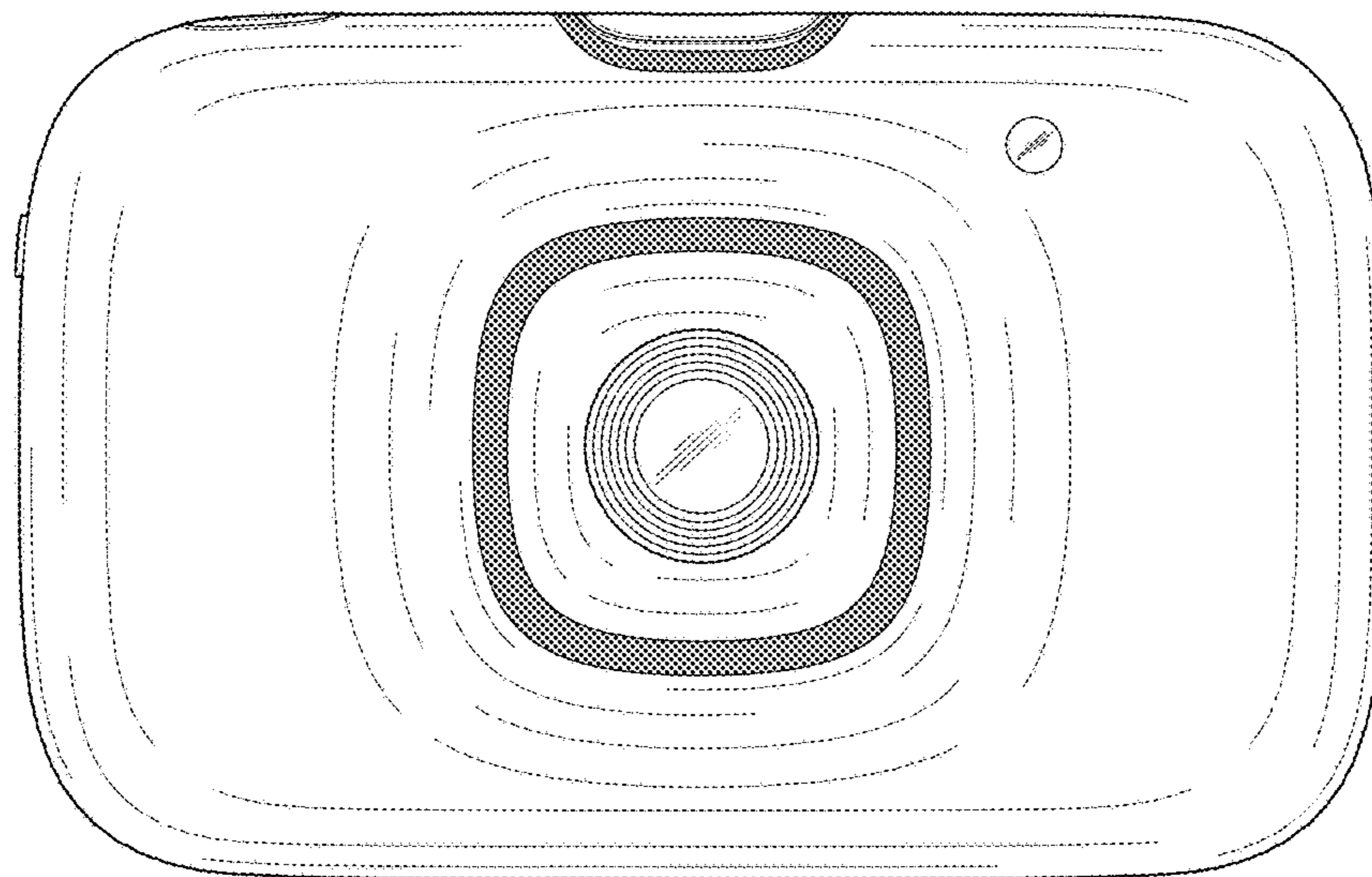


FIG. 3

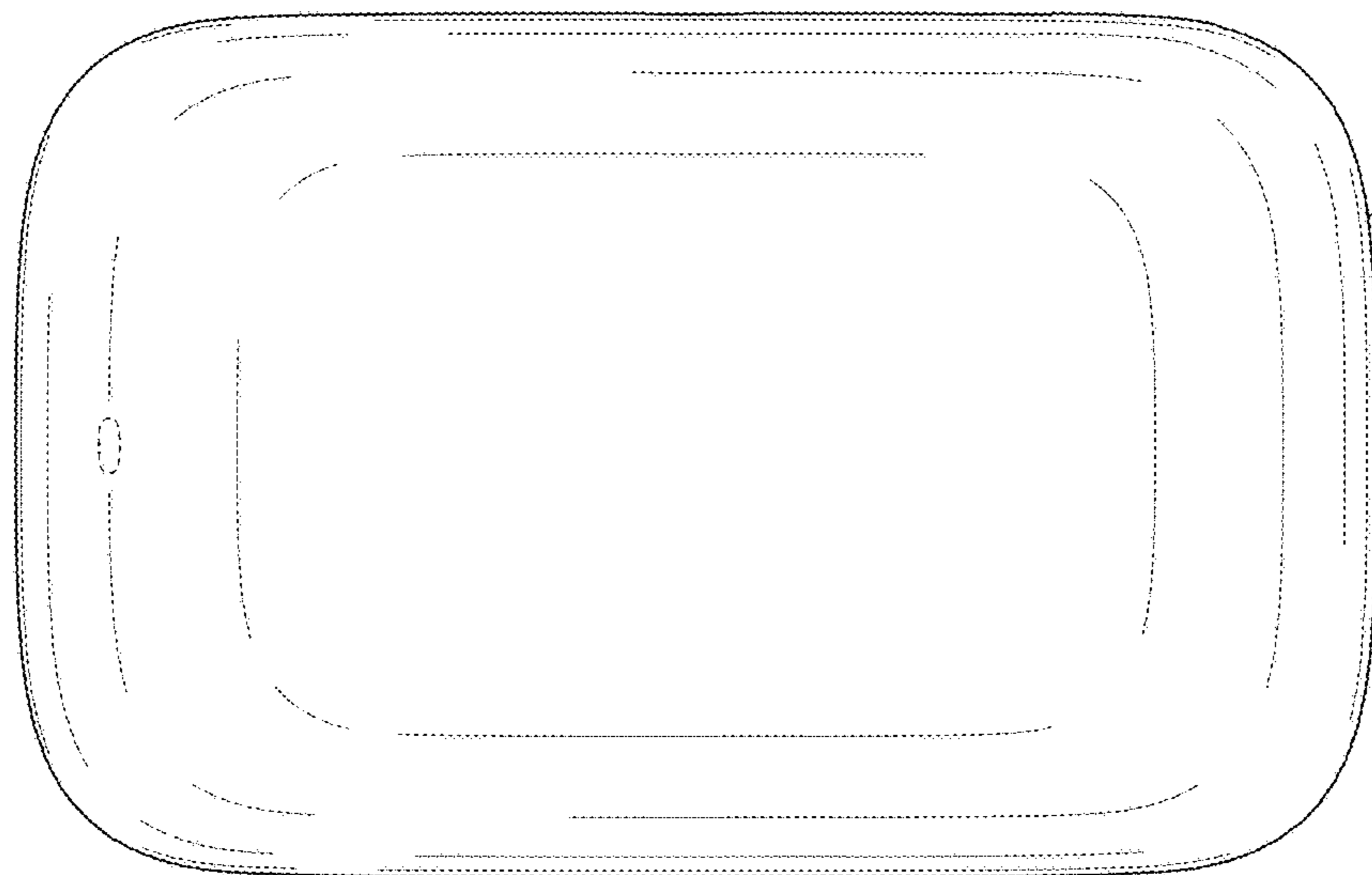


FIG. 4

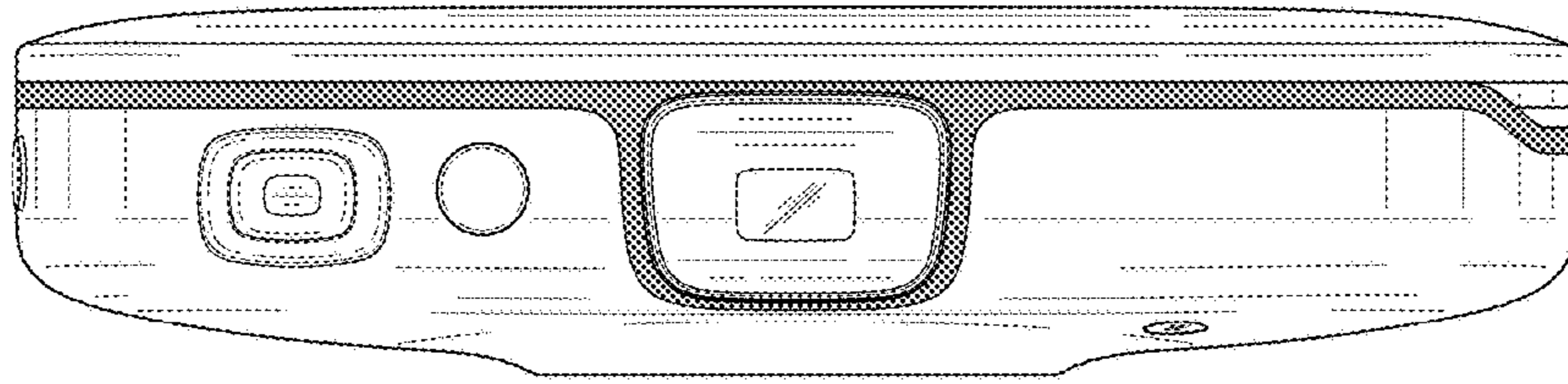


FIG. 5

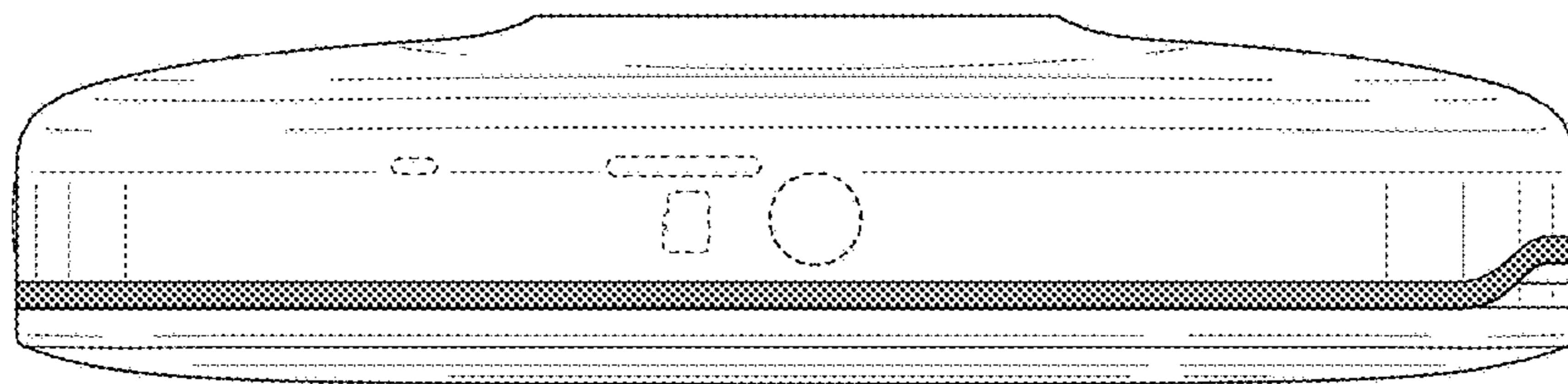


FIG. 6

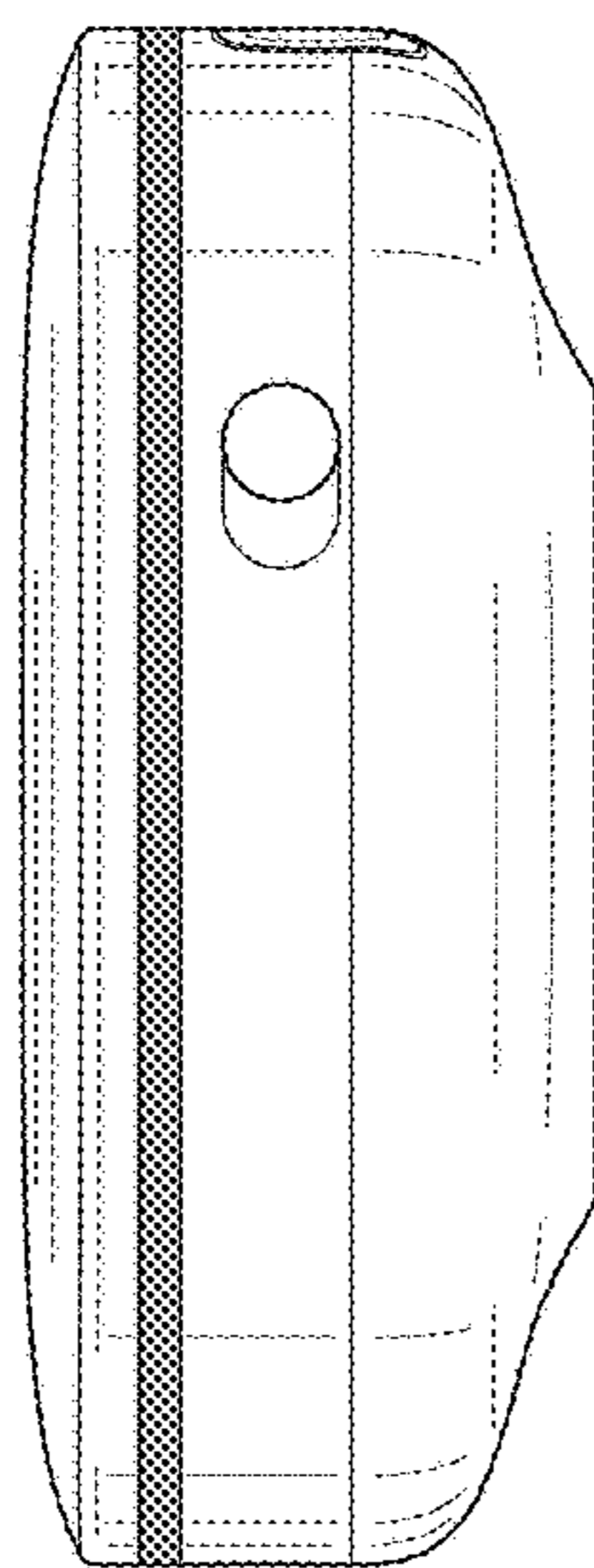


FIG. 7

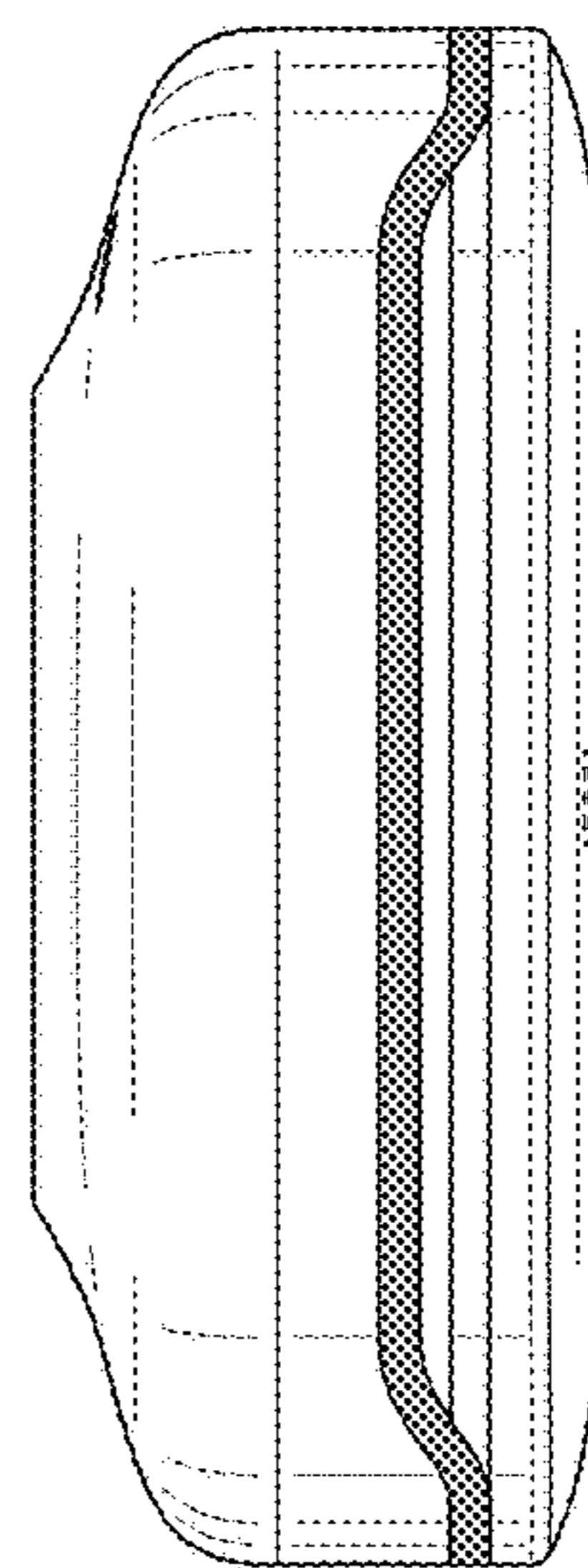


FIG. 8



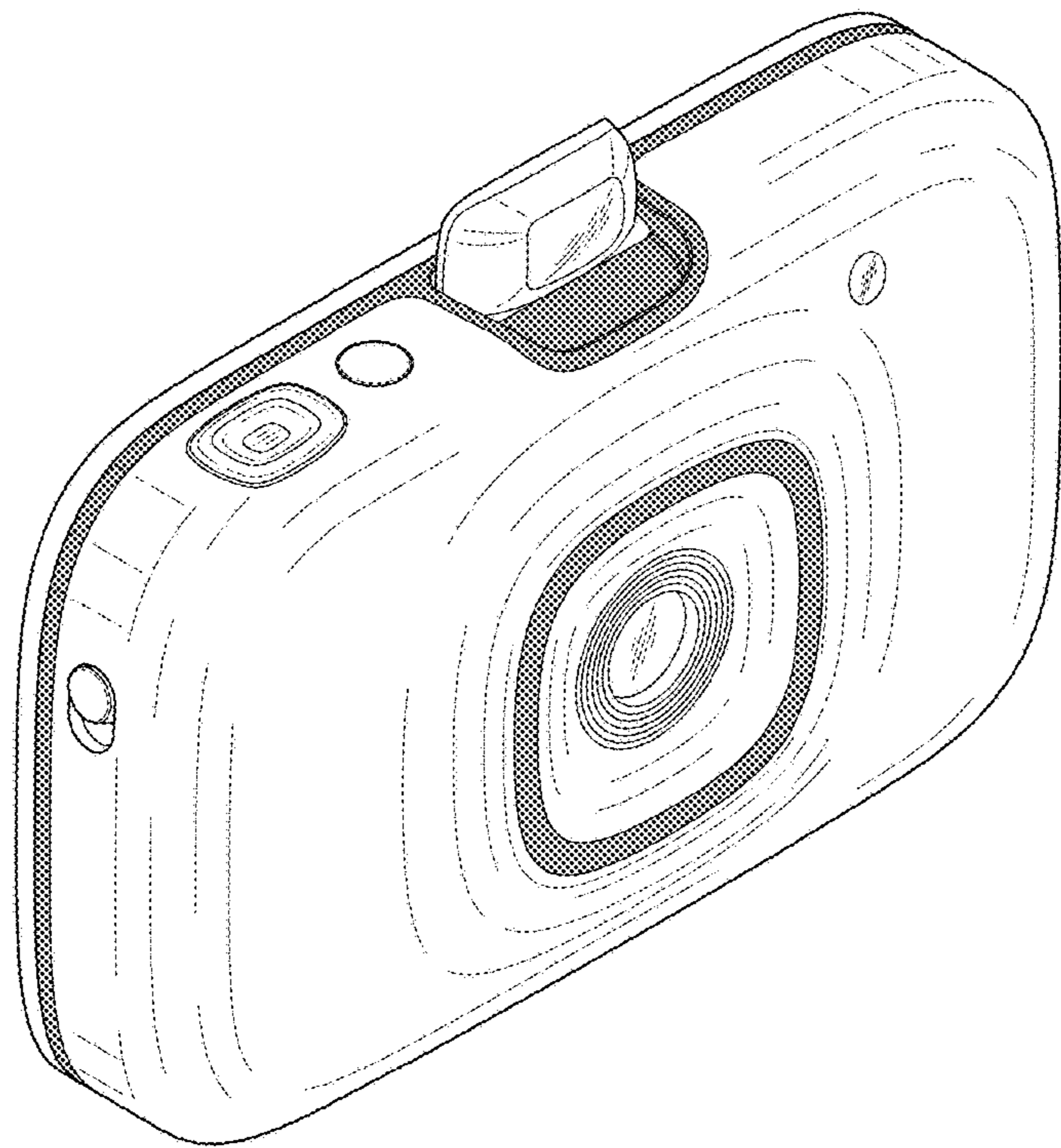


FIG. 9

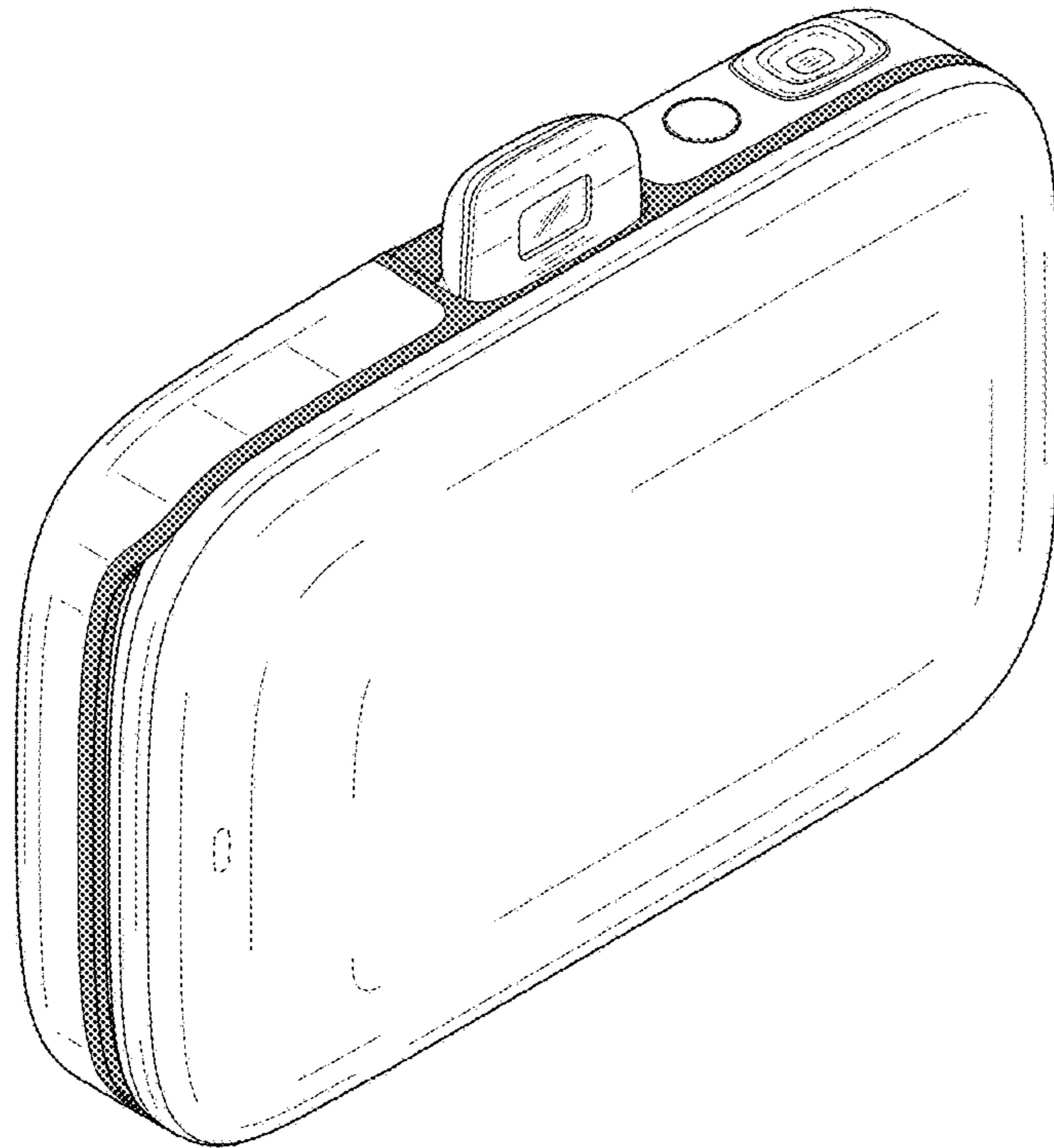


FIG. 10

UNITED STATES PATENT AND TRADEMARK OFFICE  
**CERTIFICATE OF CORRECTION**

PATENT NO. : D849,083 S  
APPLICATION NO. : 29/617856  
DATED : May 21, 2019  
INVENTOR(S) : Dan R. Dwyer, Jr. et al.

Page 1 of 1

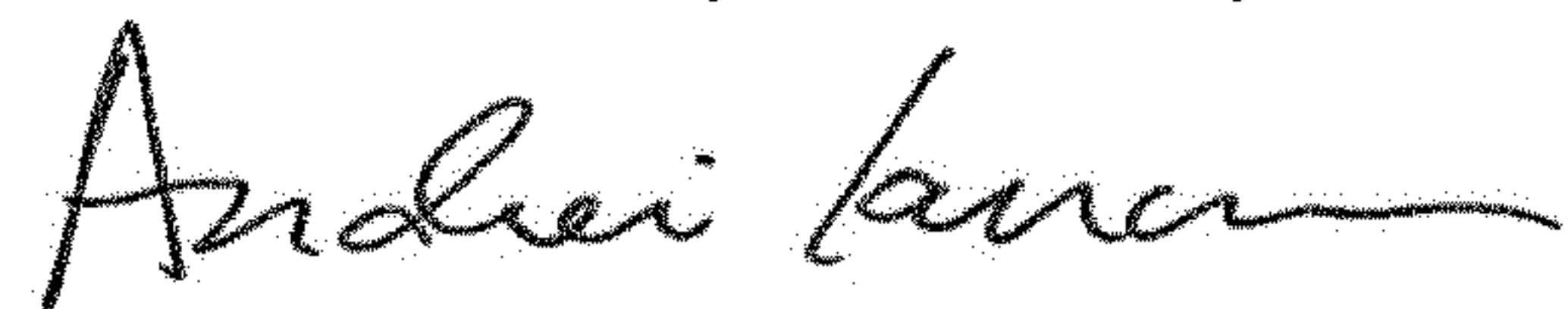
It is certified that error appears in the above-identified patent and that said Letters Patent is hereby corrected as shown below:

On the Title Page

Item (12) should read: Dwyer et al.

In Column 1, item (72), Inventors, Line 1, delete "Dan R. Dwyer, Jr.," and insert -- Dan R. Dwyer, --, therefor.

Signed and Sealed this  
Fourteenth Day of January, 2020



Andrei Iancu  
*Director of the United States Patent and Trademark Office*