



US00D849082S

(12) **United States Design Patent**
Boling et al.

(10) **Patent No.:** **US D849,082 S**

(45) **Date of Patent:** **** *May 21, 2019**

(54) **REARVIEW MIRROR DUAL-CAMERA UNIT**

(71) Applicant: **Procon Analytics, LLC**, Irvine, CA (US)

(72) Inventors: **Brian Boling**, Irvine, CA (US);
Michael Nalepka, Franklin, TN (US)

(73) Assignee: **Procon Analytics, LLC**, Irvine, CA (US)

(*) Notice: This patent is subject to a terminal disclaimer.

(**) Term: **15 Years**

(21) Appl. No.: **29/616,151**

(22) Filed: **Sep. 1, 2017**

(51) **LOC (11) Cl.** **16-01**

(52) **U.S. Cl.**
USPC **D16/202**; D16/208

(58) **Field of Classification Search**
USPC D16/200–204, 208, 218, 219;
D12/187–189, 400; 340/932.2, 933, 937;
348/143, 148, 151, 360, 373–376;
396/419, 427–429, 433, 529, 535,
396/537–541

CPC G03B 15/03; G03B 17/02; G03B 17/04;
G03B 17/48; G03B 17/56; G03B 19/04;
G08G 1/0175; H04N 5/2251; H04N
5/2252; H04N 5/2253; H04N 5/2254

See application file for complete search history.

(56) **References Cited**

U.S. PATENT DOCUMENTS

- D638,458 S * 5/2011 Miyamori D16/202
- D641,771 S * 7/2011 Sasaki D16/202
- D692,473 S * 10/2013 Kawaguchi D16/202
- D698,841 S * 2/2014 Lee D16/202
- D729,295 S * 5/2015 Onruang D16/202

- D732,594 S * 6/2015 Kawa D16/202
- D746,350 S * 12/2015 Li D16/203
- D747,383 S * 1/2016 Li D16/203
- D754,231 S * 4/2016 Murray D16/202
- D755,875 S * 5/2016 Geng H04N 5/2251
D16/203
- D788,834 S * 6/2017 Bhattacharya D16/203
- D806,774 S * 1/2018 Ahman D16/203
- 2013/0038728 A1 * 2/2013 Kim H04N 5/2252
348/143

* cited by examiner

Primary Examiner — Ramzi S Almatrahi

(74) *Attorney, Agent, or Firm* — Luedeka Neely Group, P.C.

(57) **CLAIM**

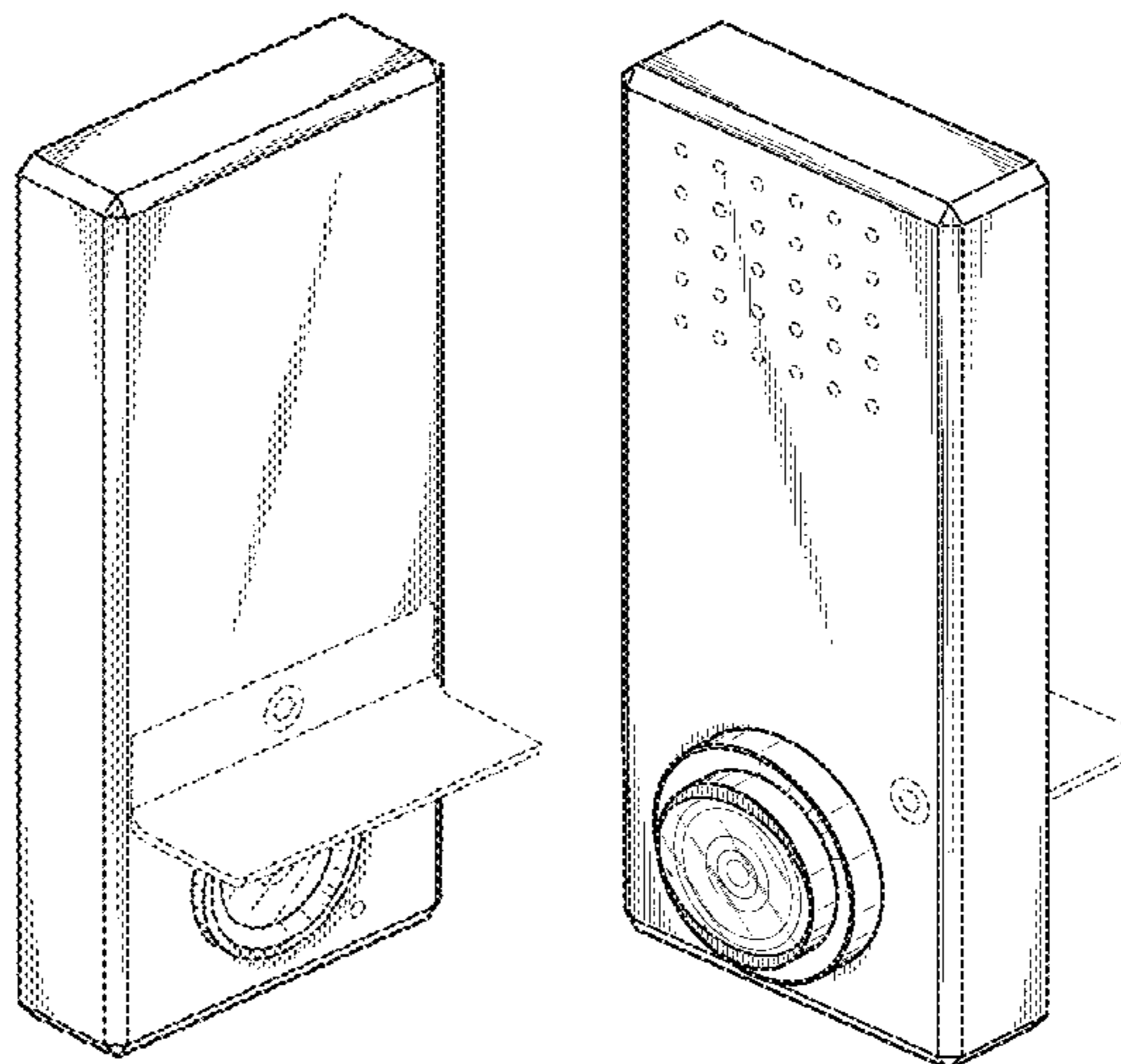
The ornamental design for a rearview mirror dual-camera unit, as shown and described.

DESCRIPTION

FIG. 1 is a front perspective view of a rearview mirror dual-camera unit;
 FIG. 2 is a rear perspective view of the rearview mirror dual-camera unit;
 FIG. 3 is a right side elevation view of the rearview mirror dual-camera unit;
 FIG. 4 is a left side elevation view of the rearview mirror dual-camera unit;
 FIG. 5 is a front elevation view of the rearview mirror dual-camera unit;
 FIG. 6 is a rear elevation view of the rearview mirror dual-camera unit;
 FIG. 7 is a top plan view of the rearview mirror dual-camera unit; and,
 FIG. 8 is a bottom plan view of the rearview mirror dual-camera unit.

The broken lines depict portions of the rearview mirror dual-camera unit in which the design is embodied that form no part of the claimed design.

1 Claim, 6 Drawing Sheets



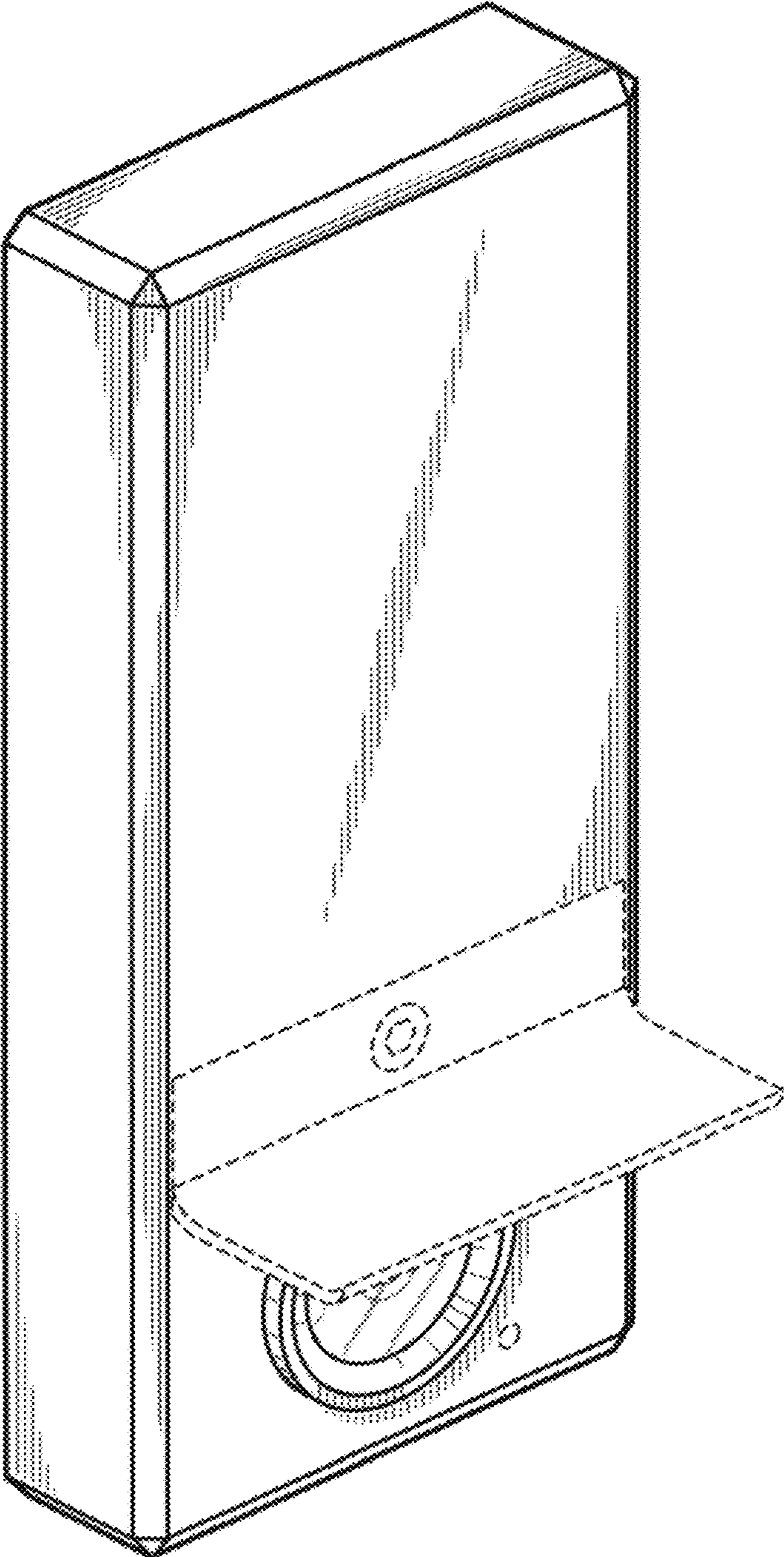


FIG. 1

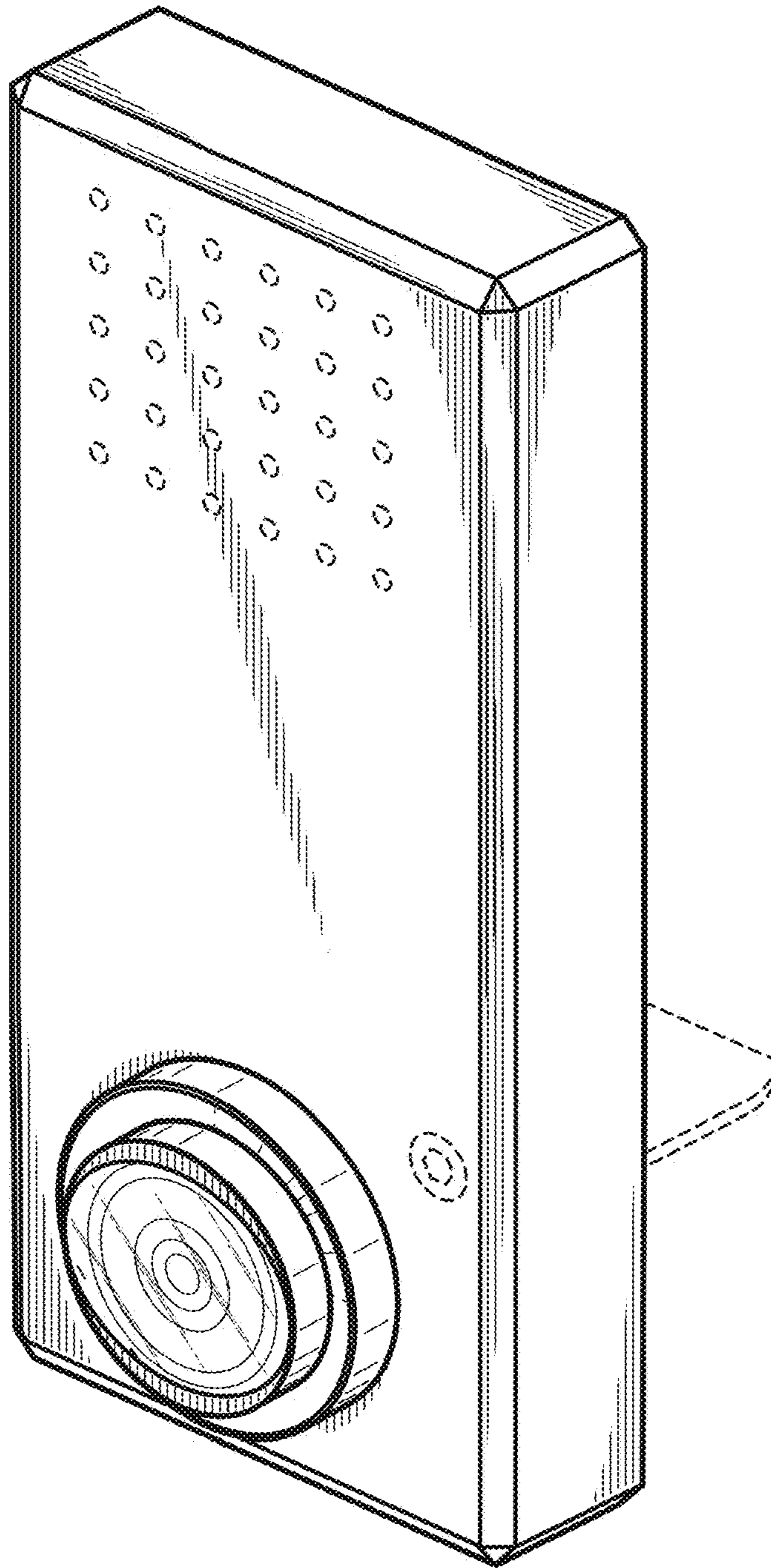


FIG. 2

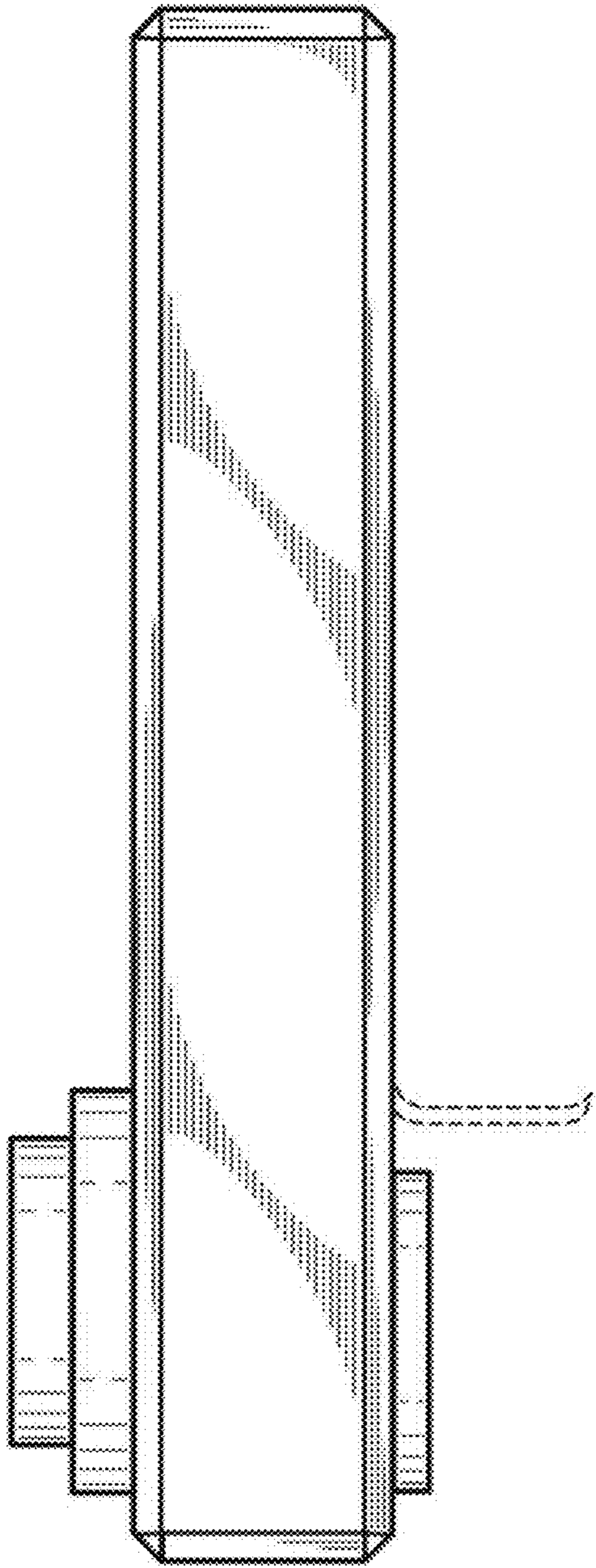


FIG. 3

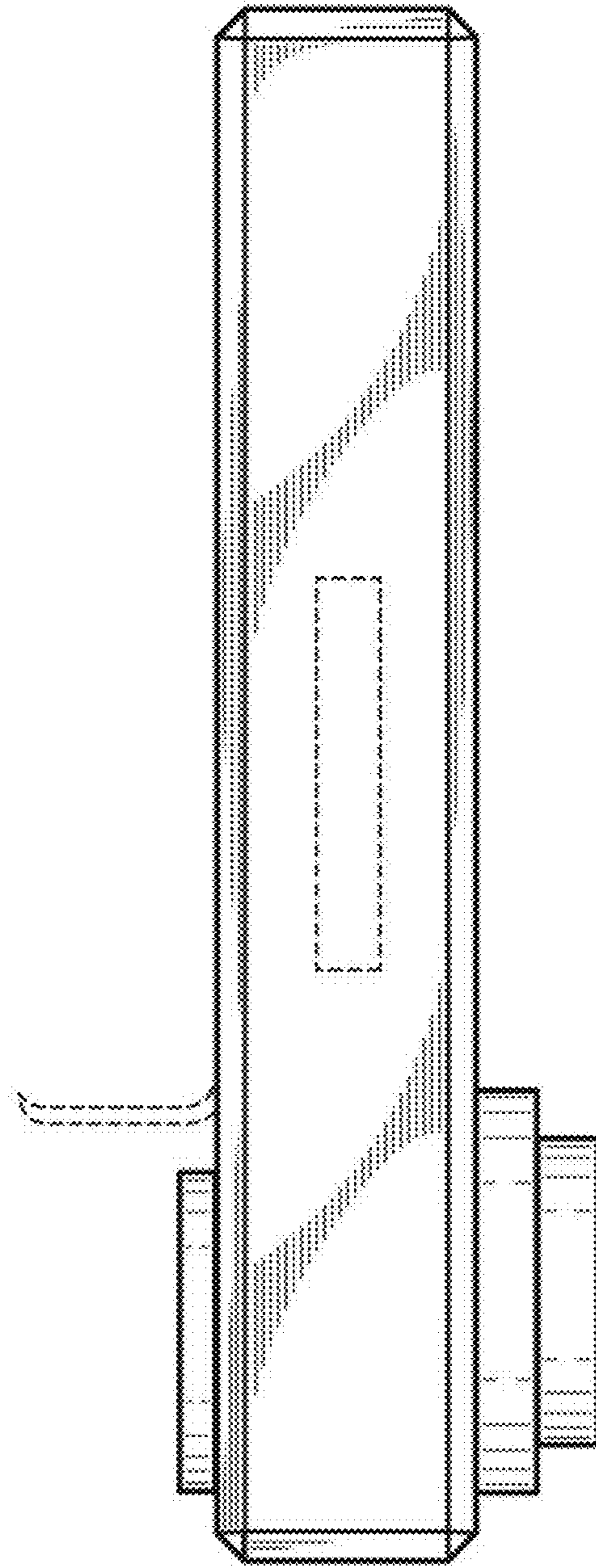


FIG. 4

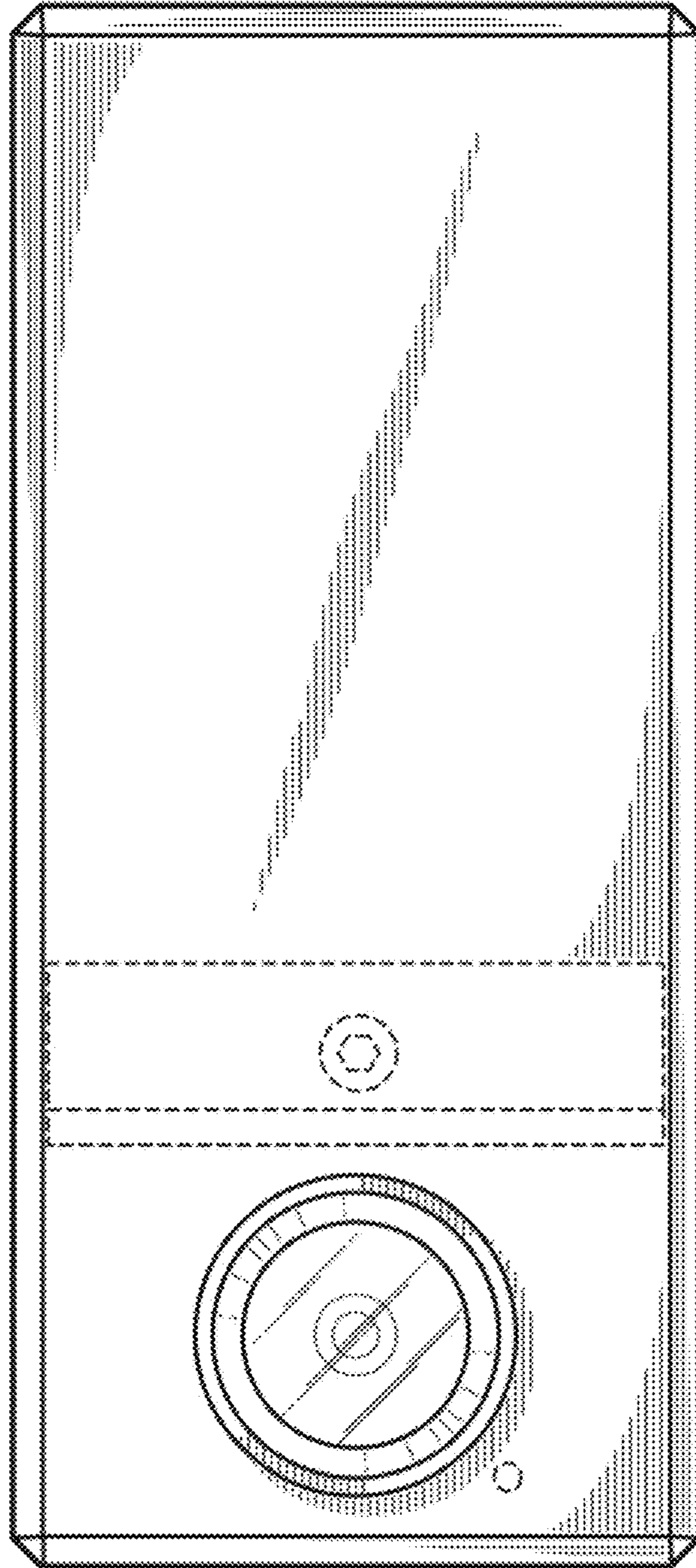


FIG. 5

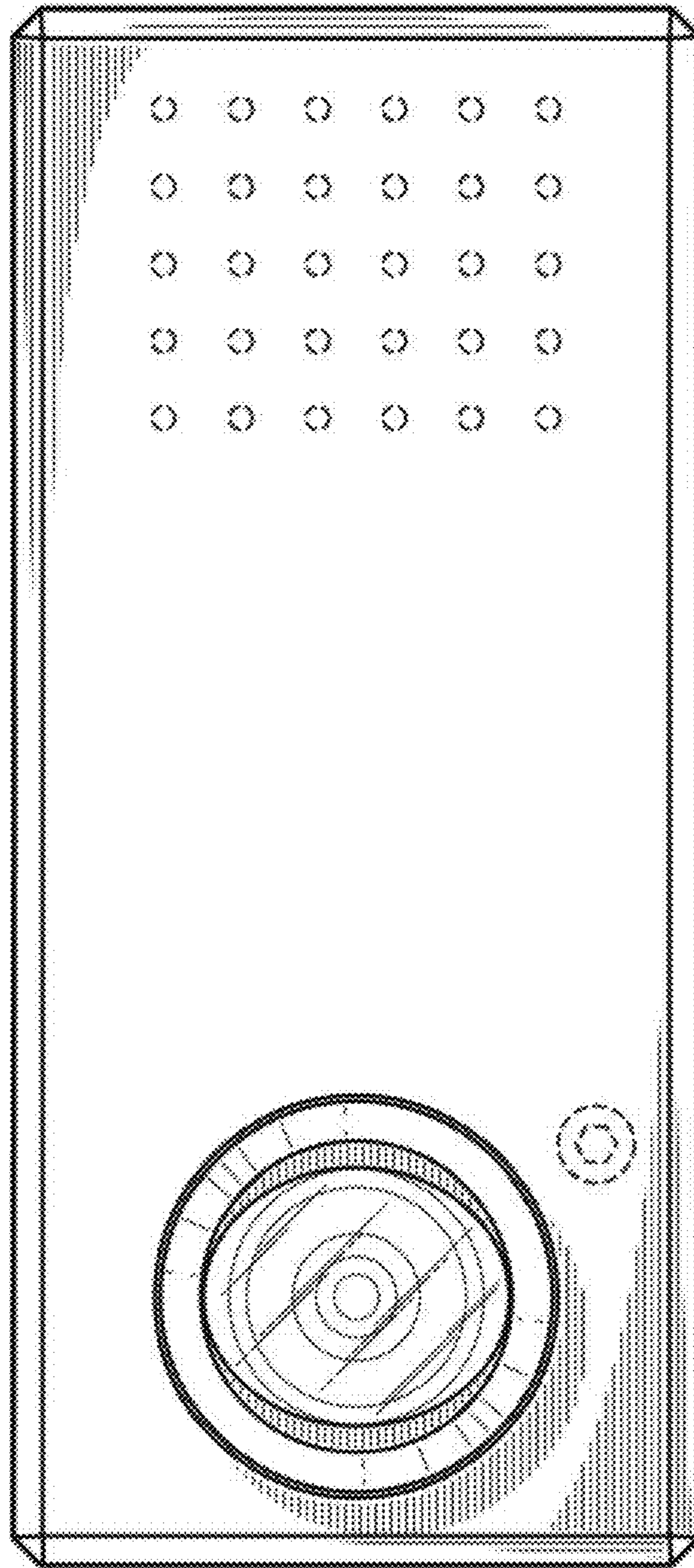


FIG. 6

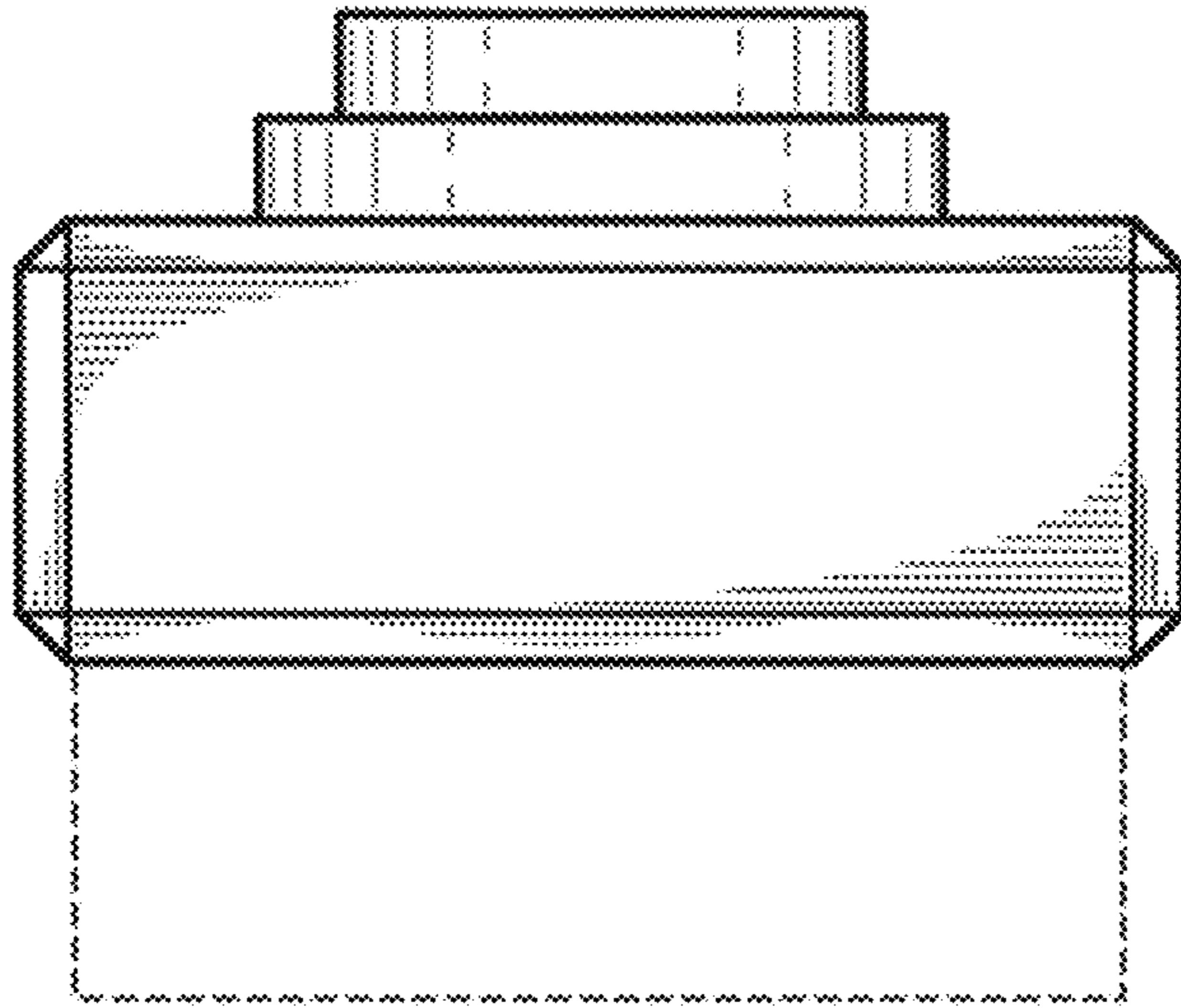


FIG. 7

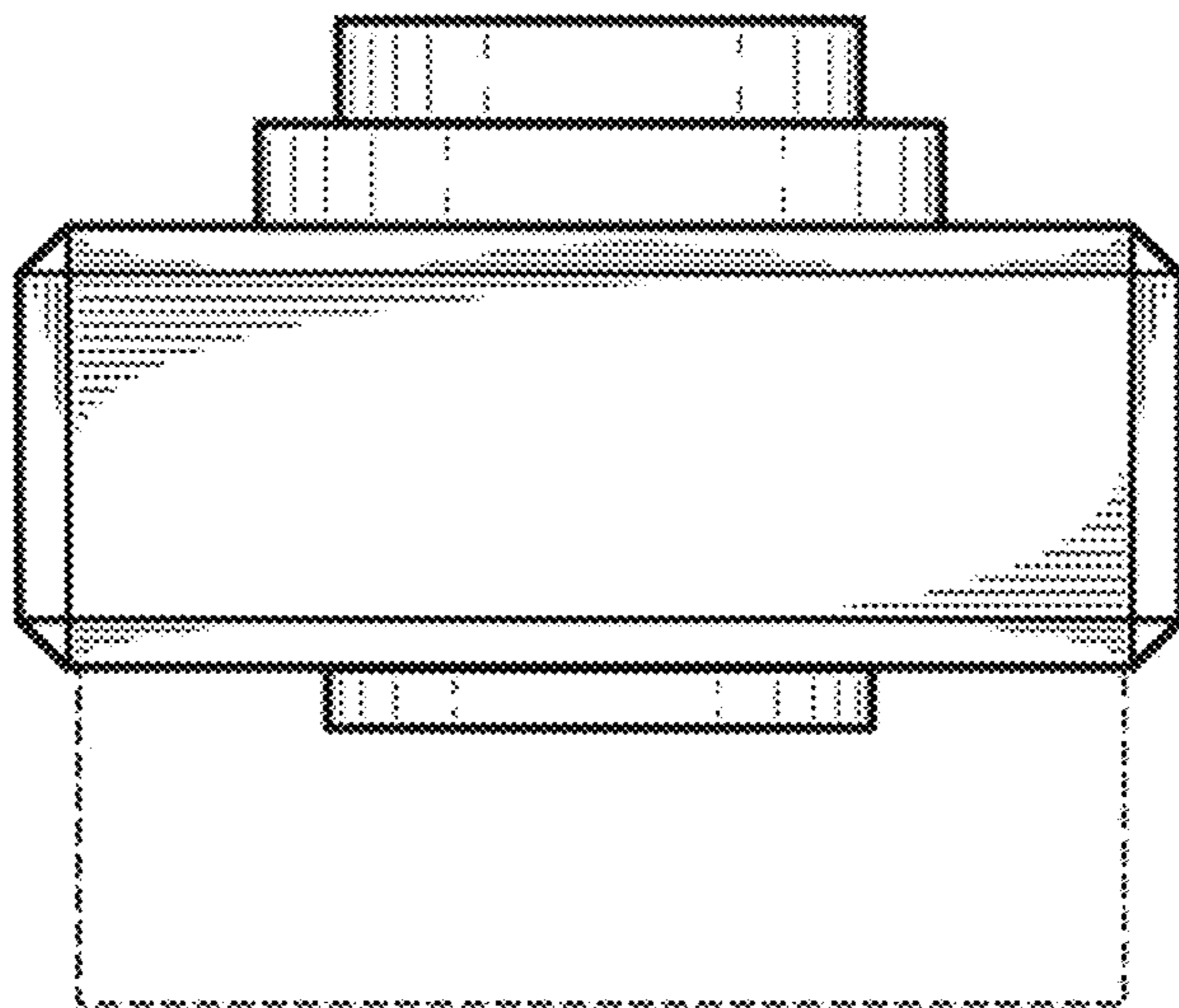


FIG. 8