



US00D849081S

(12) **United States Design Patent**  
**Boling et al.**

(10) **Patent No.:** **US D849,081 S**

(45) **Date of Patent:** **\*\* \*May 21, 2019**

(54) **REARVIEW MIRROR DUAL-CAMERA UNIT**

(71) Applicant: **Procon Analytics, LLC**, Irvine, CA (US)

(72) Inventors: **Brian Boling**, Irvine, CA (US);  
**Michael Nalepka**, Franklin, TN (US)

(73) Assignee: **Procon Analytics, LLC**, Irvine, CA (US)

(\*) Notice: This patent is subject to a terminal disclaimer.

(\*\*) Term: **15 Years**

(21) Appl. No.: **29/616,149**

(22) Filed: **Sep. 1, 2017**

(51) **LOC (11) Cl.** ..... **16-01**

(52) **U.S. Cl.**  
USPC ..... **D16/202; D16/208**

(58) **Field of Classification Search**  
USPC ..... D16/200–204, 208, 218, 219;  
D12/187–189, 400; 340/932.2, 933, 937;  
348/143, 148, 151, 360, 373–376;  
396/419, 427–429, 433, 529, 535,  
396/537–541

CPC ..... G03B 15/03; G03B 17/02; G03B 17/04;  
G03B 17/48; G03B 17/56; G03B 19/04;  
G08G 1/0175; H04N 5/2251; H04N  
5/2252; H04N 5/2253; H04N 5/2254

See application file for complete search history.

(56) **References Cited**

U.S. PATENT DOCUMENTS

D638,458 S \* 5/2011 Miyamori ..... D16/202  
D641,771 S \* 7/2011 Sasaki ..... D16/202  
D692,473 S \* 10/2013 Kawaguchi ..... D16/202  
D698,841 S \* 2/2014 Lee ..... D16/202  
D729,295 S \* 5/2015 Onruang ..... D16/202

D732,594 S \* 6/2015 Kawa ..... D16/202  
D746,350 S \* 12/2015 Li ..... D16/203  
D747,383 S \* 1/2016 Li ..... D16/203  
D754,231 S \* 4/2016 Murray ..... D16/202  
D755,875 S \* 5/2016 Geng ..... H04N 5/2251  
D16/203  
D788,834 S \* 6/2017 Bhattacharya ..... D16/203  
D806,774 S \* 1/2018 Ahman ..... D16/203  
2013/0038728 A1 \* 2/2013 Kim ..... H04N 5/2252  
348/143

\* cited by examiner

*Primary Examiner* — Ramzi S Almatrahi

(74) *Attorney, Agent, or Firm* — Luedeka Neely Group, P.C.

(57) **CLAIM**

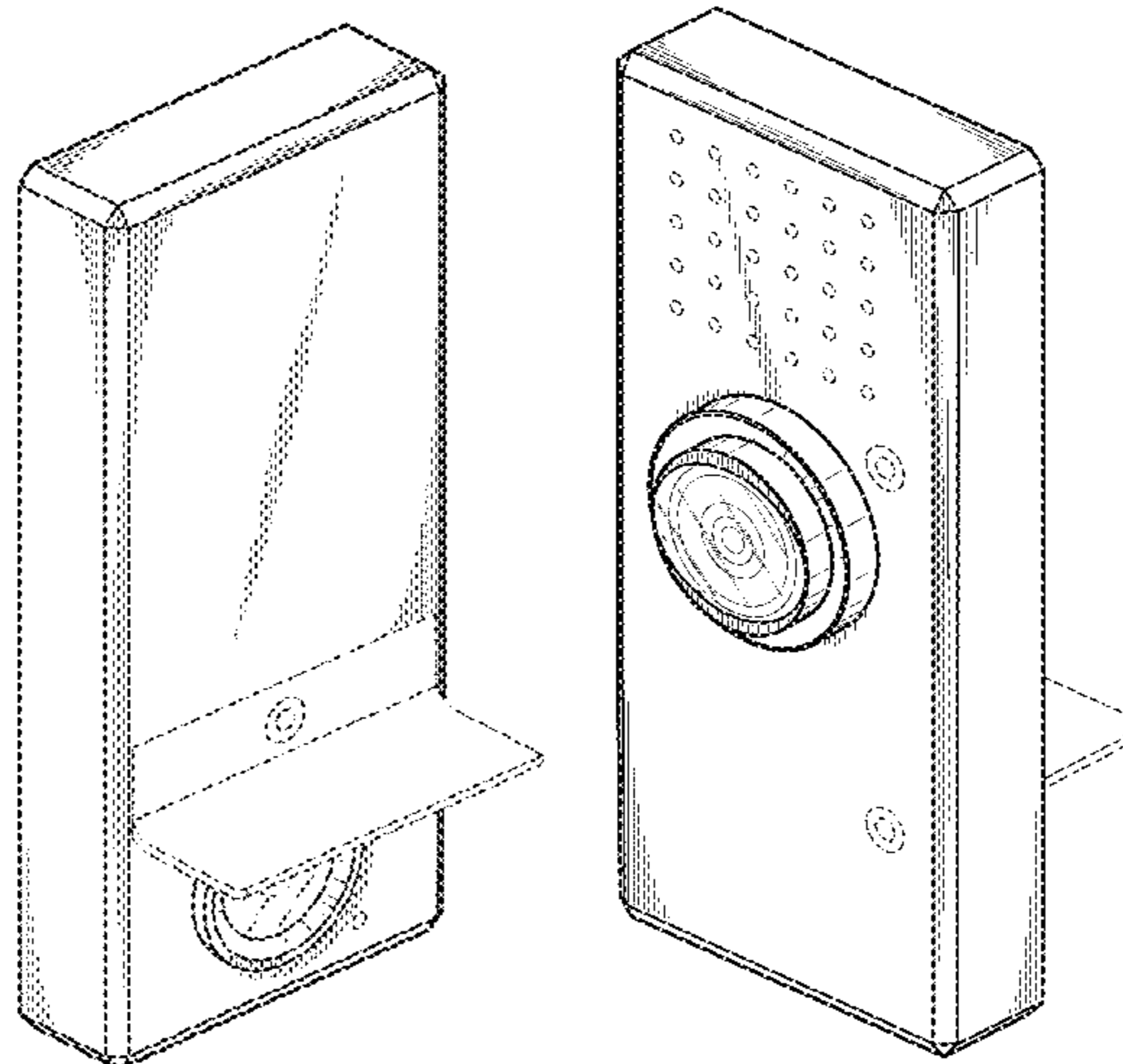
The ornamental design for a rearview mirror dual-camera unit, as shown and described.

**DESCRIPTION**

FIG. 1 is a front perspective view of a rearview mirror dual-camera unit;  
FIG. 2 is a rear perspective view of the rearview mirror dual-camera unit;  
FIG. 3 is a right side elevation view of the rearview mirror dual-camera unit;  
FIG. 4 is a left side elevation view of the rearview mirror dual-camera unit;  
FIG. 5 is a front elevation view of the rearview mirror dual-camera unit;  
FIG. 6 is a rear elevation view of the rearview mirror dual-camera unit;  
FIG. 7 is a top plan view of the rearview mirror dual-camera unit; and,  
FIG. 8 is a bottom plan view of the rearview mirror dual-camera unit.

The broken lines depict portions of the rearview mirror dual-camera unit in which the design is embodied that form no part of the claimed design.

**1 Claim, 6 Drawing Sheets**



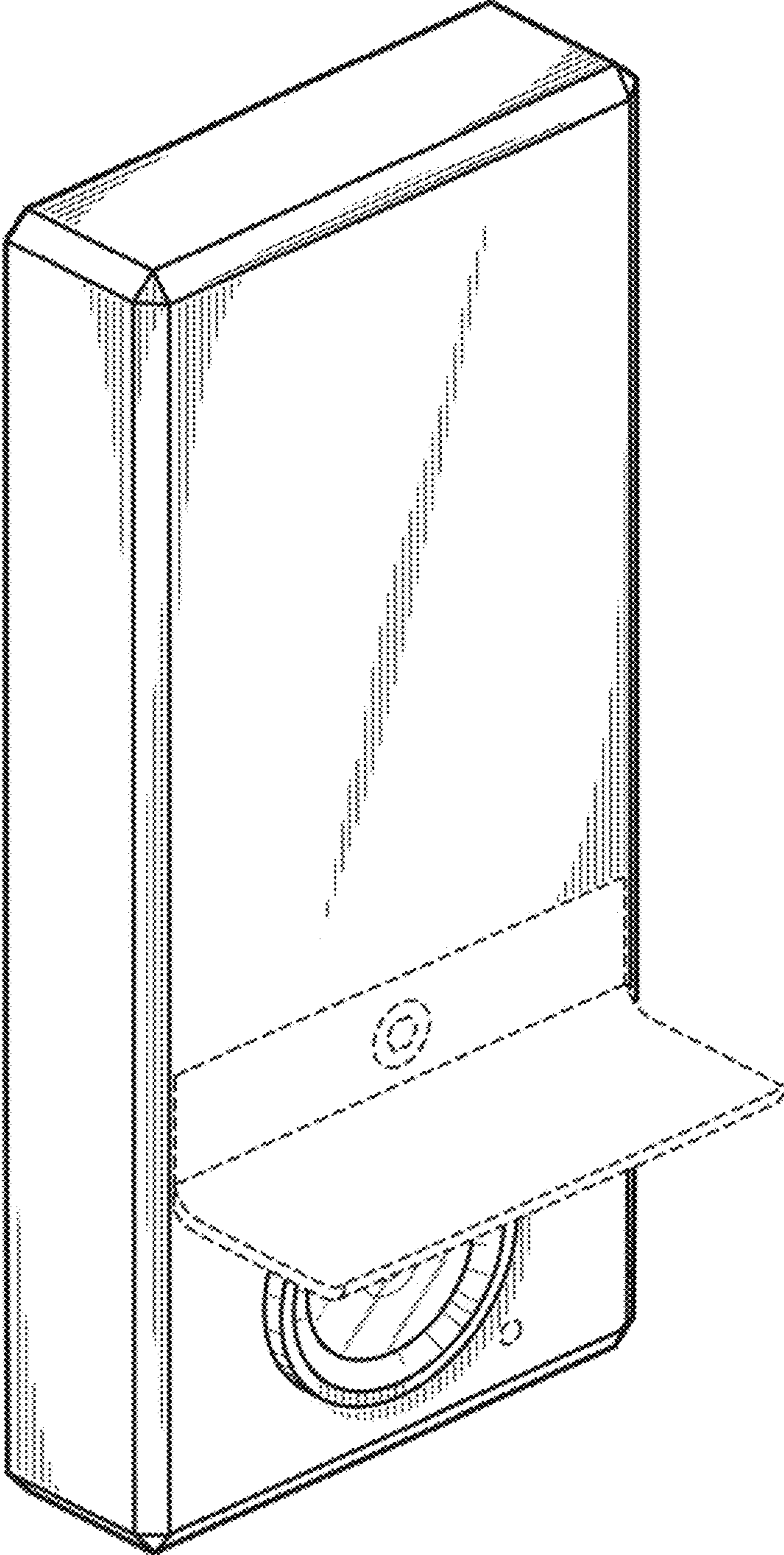


FIG. 1

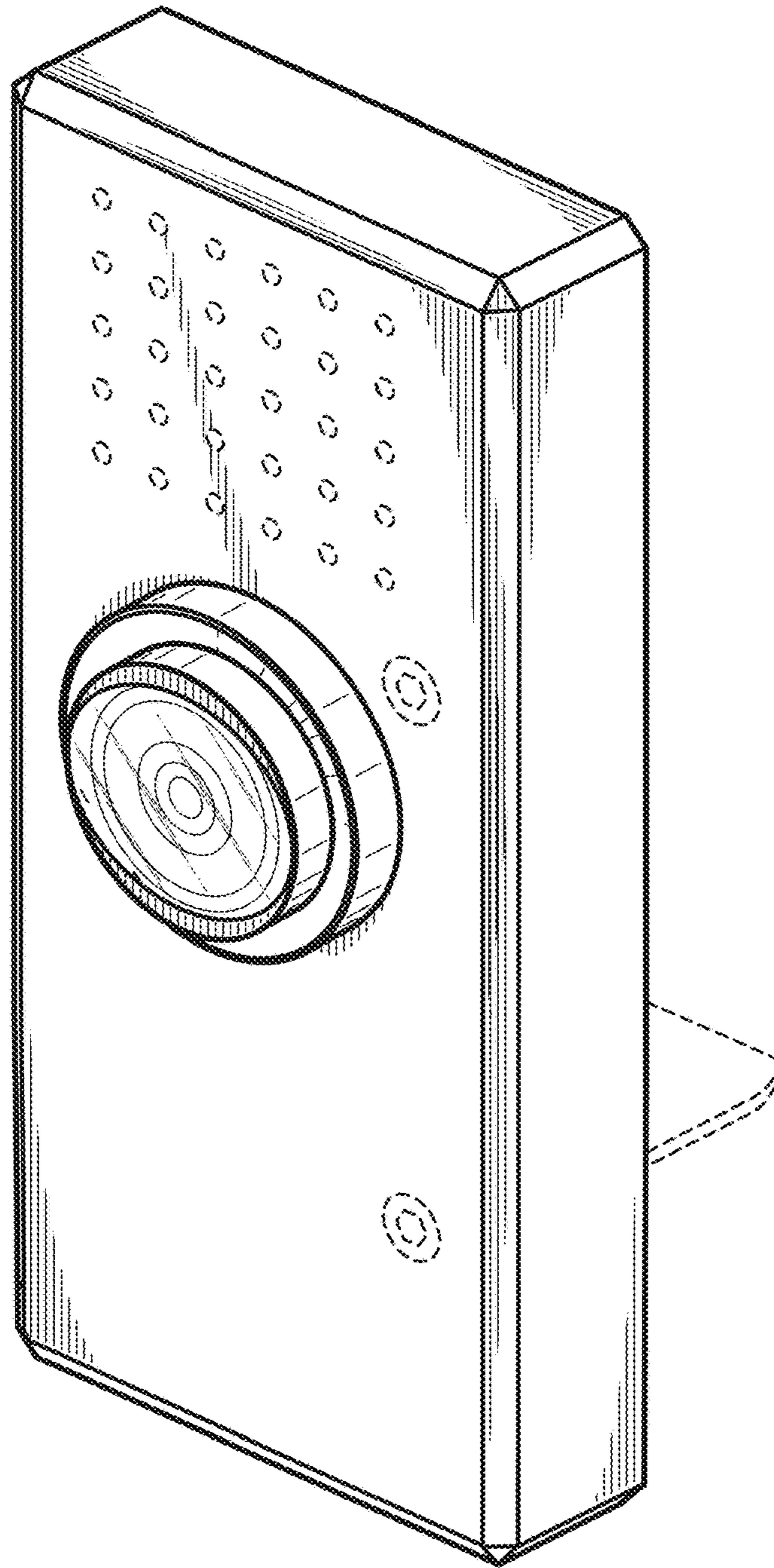


FIG. 2

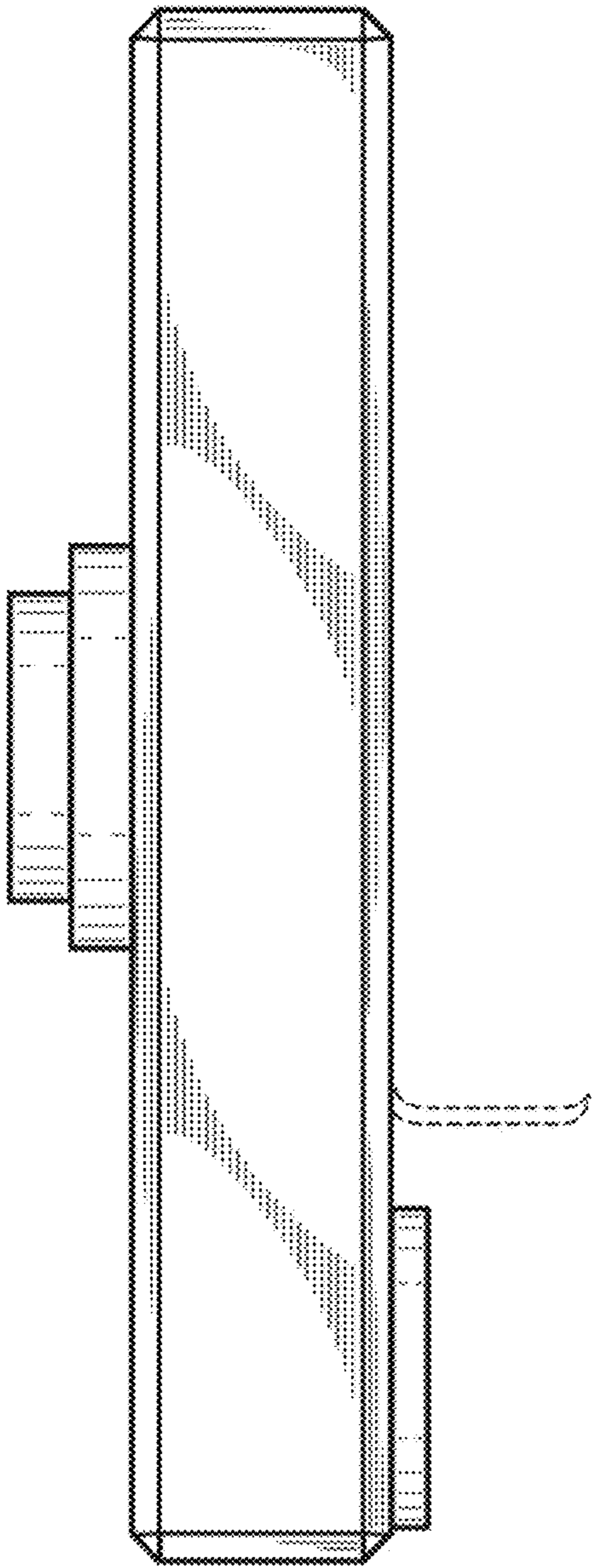


FIG. 3

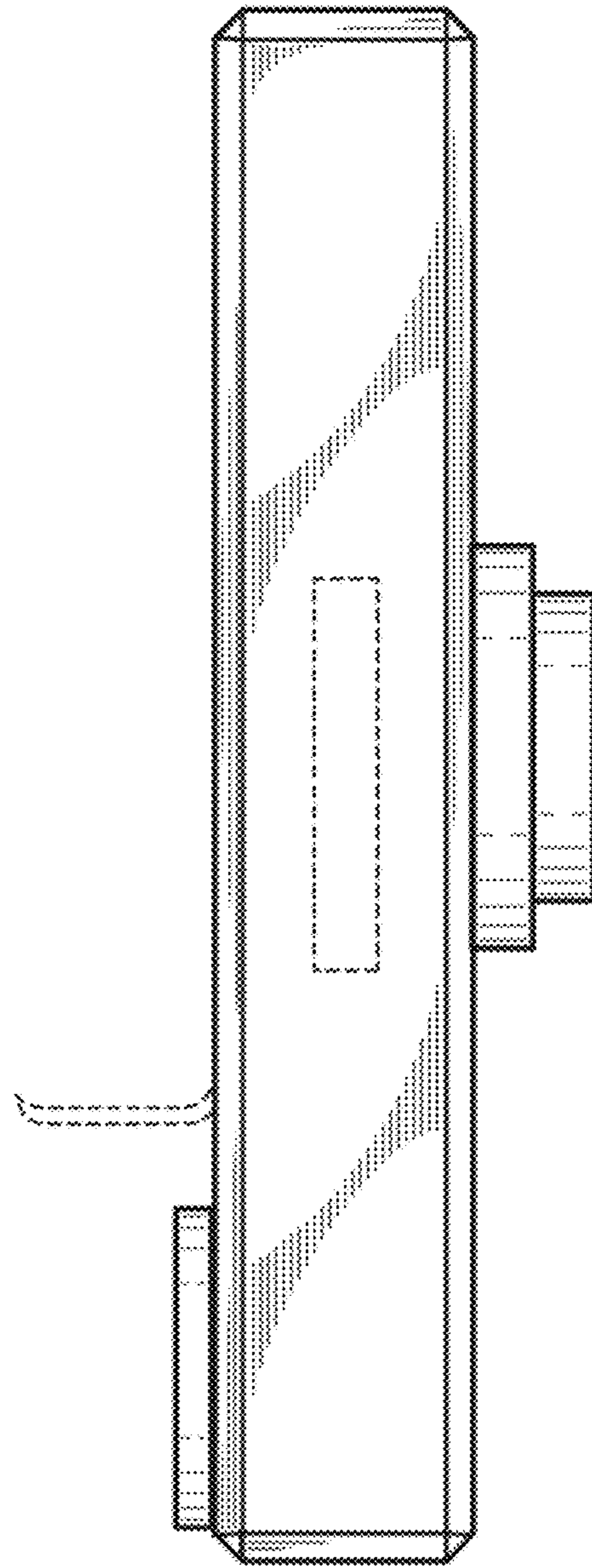


FIG. 4

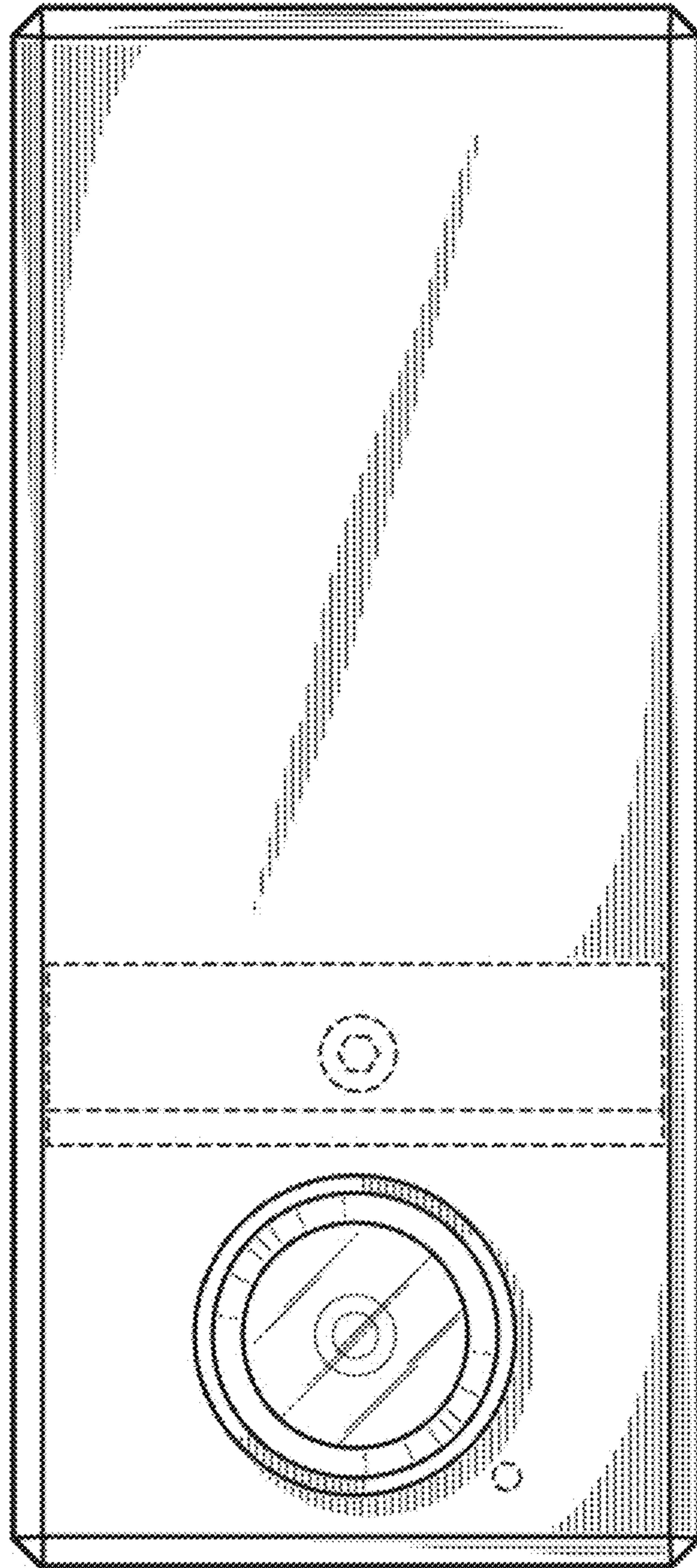


FIG. 5

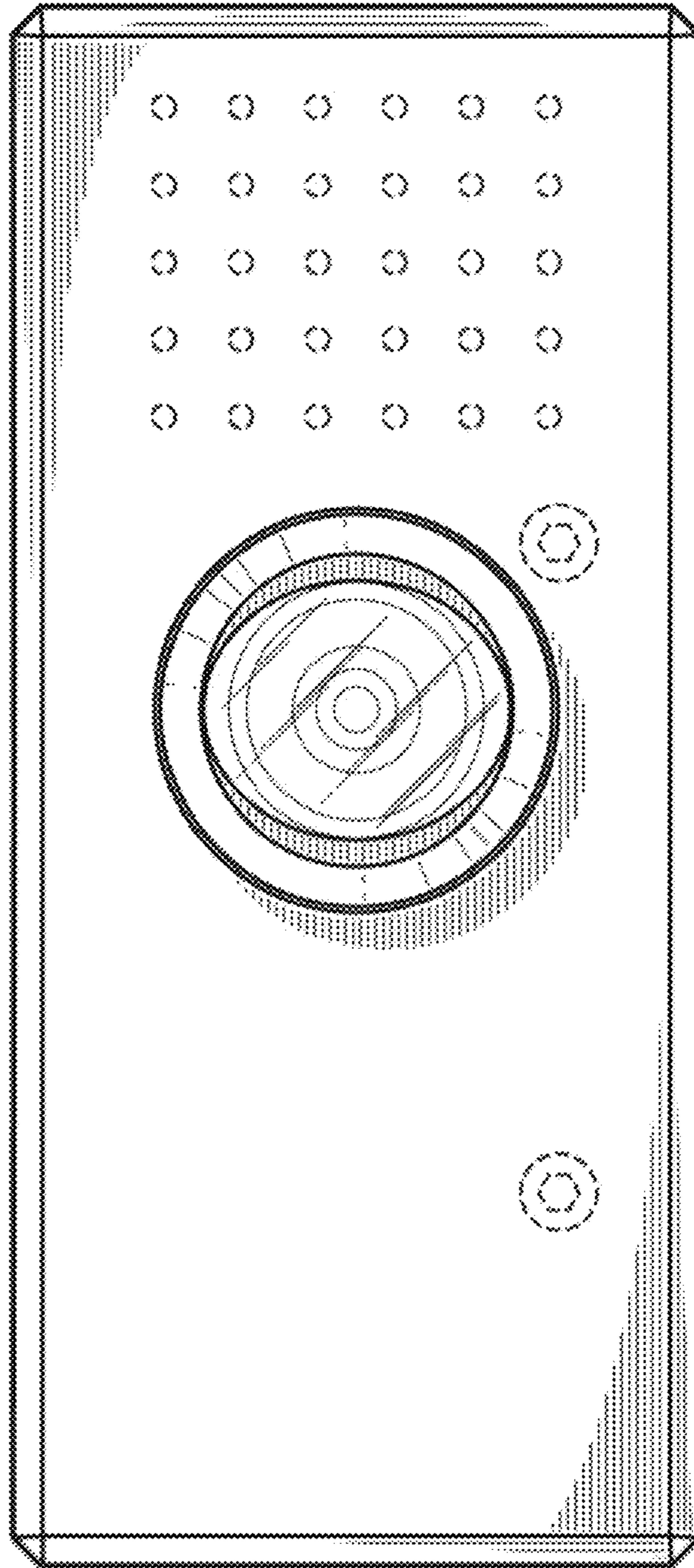


FIG. 6

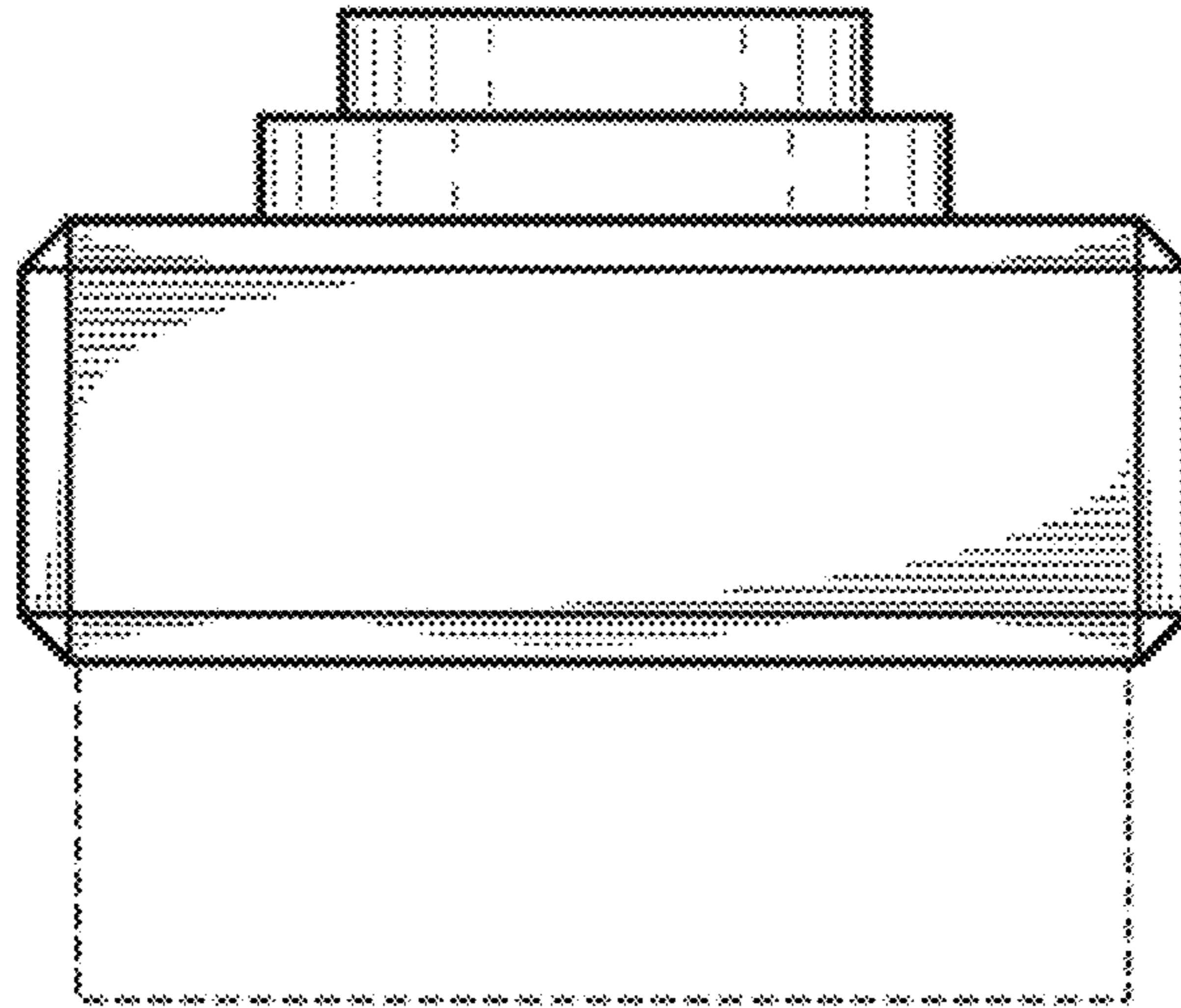


FIG. 7

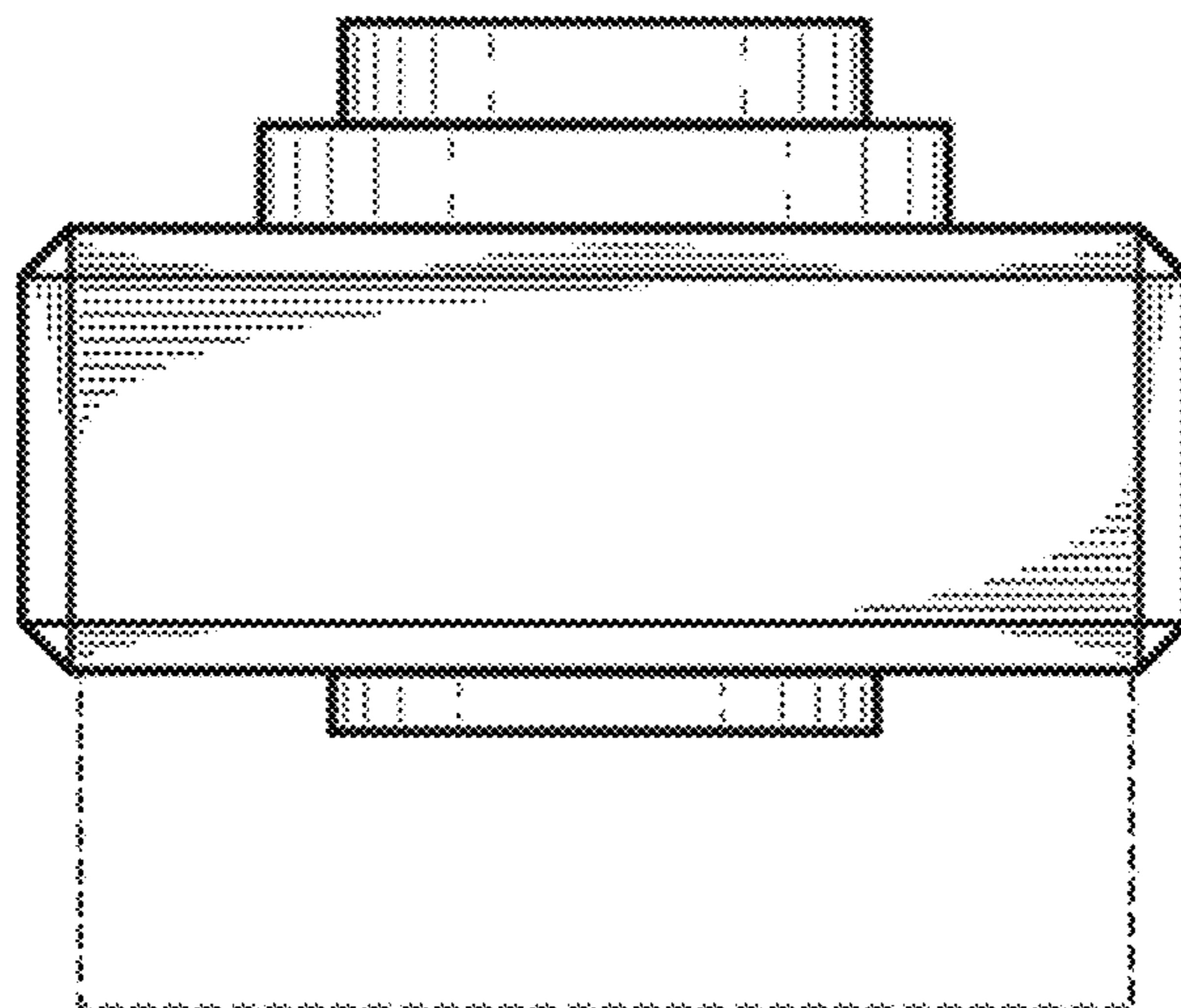


FIG. 8