



US00D849080S

(12) **United States Design Patent**
Rosenberg et al.

(10) **Patent No.:** **US D849,080 S**

(45) **Date of Patent:** **** May 21, 2019**

(54) **VIDEO CAMERA ACCESSORY**

(71) Applicant: **Logitech Europe S.A.**, Lausanne (CH)

(72) Inventors: **Aron Michael Rosenberg**, Lafayette, CA (US); **Andrew Gartrell**, Walnut Creek, CA (US); **Gaurav Bradoo**, San Francisco, CA (US); **Timucin Kip**, Burlingame, CA (US)

(73) Assignee: **Logitech Europe S.A.**, Lausanne (CH)

(**) Term: **15 Years**

(21) Appl. No.: **29/612,537**

(22) Filed: **Aug. 1, 2017**

(51) **LOC (11) Cl.** **16-01**

(52) **U.S. Cl.**

USPC **D16/202; D16/237**

(58) **Field of Classification Search**

USPC D16/200, 202–206, 218, 219, 242;
348/143, 148, 151, 373–376; 396/419,
396/427, 535, 539–541

CPC G03B 17/02; G03B 19/04; G03B 17/56;
G03B 17/04; G03B 15/03; H04N 5/2251;
H04N 5/2252; H04N 5/2253; H04N
5/2254; H04N 7/181; H04N 7/183; H04N
7/18; G08B 13/1963; G08B 13/19619;
G08B 13/19632; F16M 11/04; F16M
13/00

See application file for complete search history.

(56) **References Cited**

U.S. PATENT DOCUMENTS

D455,767 S * 4/2002 Tsang D16/202
D563,446 S * 3/2008 Stephens D16/202
D639,842 S * 6/2011 Zeinoun D16/203

D677,297 S * 3/2013 Bart D16/203
D729,859 S * 5/2015 Shin D16/203
9,071,740 B1 * 6/2015 Duffy H04N 5/2252
D743,465 S * 11/2015 Aglassinger D16/203
D745,916 S * 12/2015 Oh D16/134
D748,178 S * 1/2016 Scalisi D10/118.2
D748,179 S * 1/2016 Scalisi D10/118.2
D752,674 S * 3/2016 Katori D16/203
D758,470 S * 6/2016 Kircher D16/215
D776,180 S * 1/2017 Fiedler D16/202

* cited by examiner

Primary Examiner — Ramzi S Almatrahi

(74) *Attorney, Agent, or Firm* — Kilpatrick Townsend & Stockton LLP

(57) **CLAIM**

The ornamental design for a video camera accessory, as shown and described.

DESCRIPTION

FIG. 1 is a rear perspective view of a video camera accessory showing our new design;

FIG. 2 is a front perspective view of thereof;

FIG. 3 is an exploded rear and left side perspective view thereof;

FIG. 4 is an exploded rear and right side perspective view thereof;

FIG. 5 is a front elevation view thereof;

FIG. 6 is a rear elevation view thereof;

FIG. 7 is a top plan view thereof;

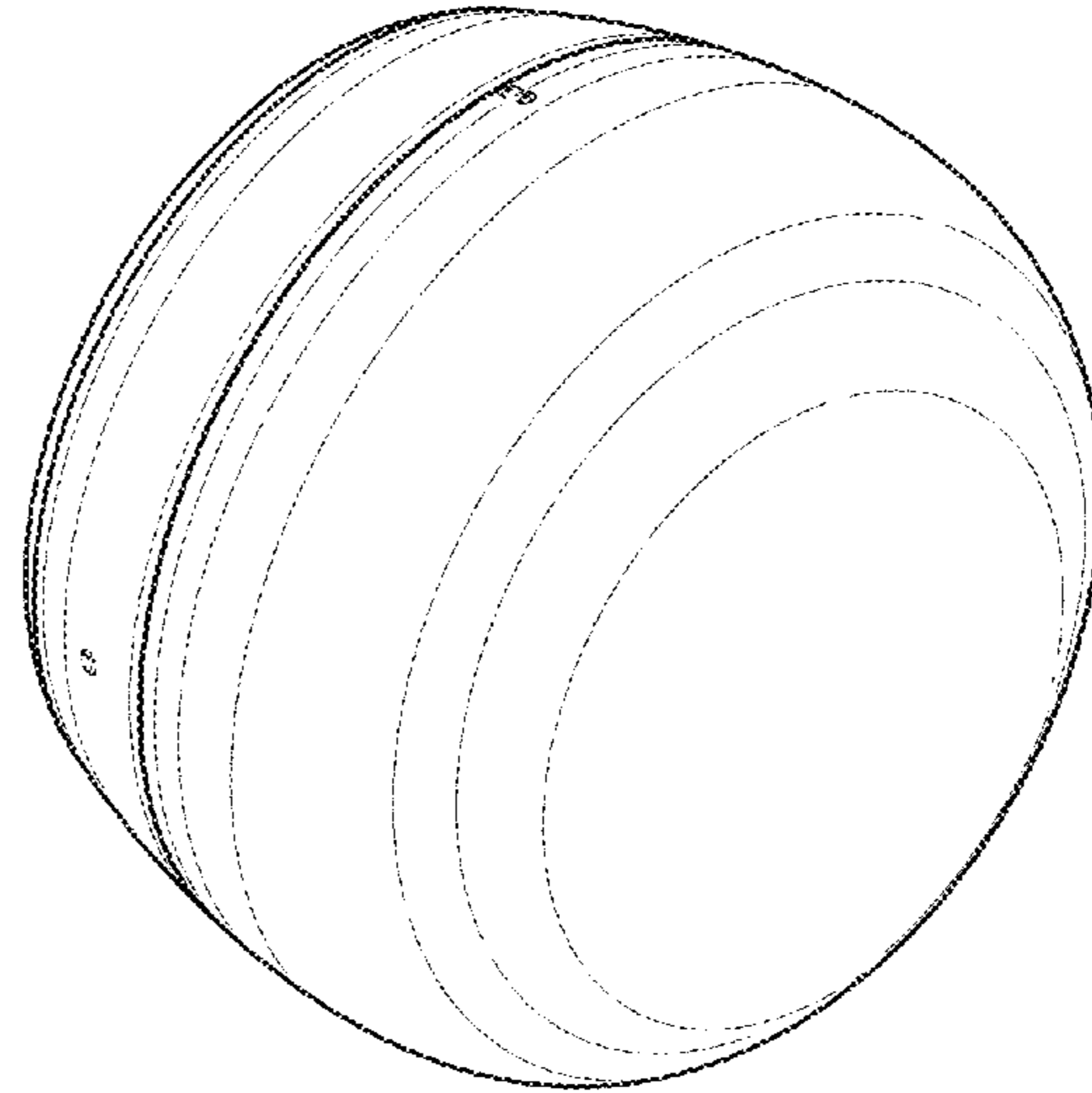
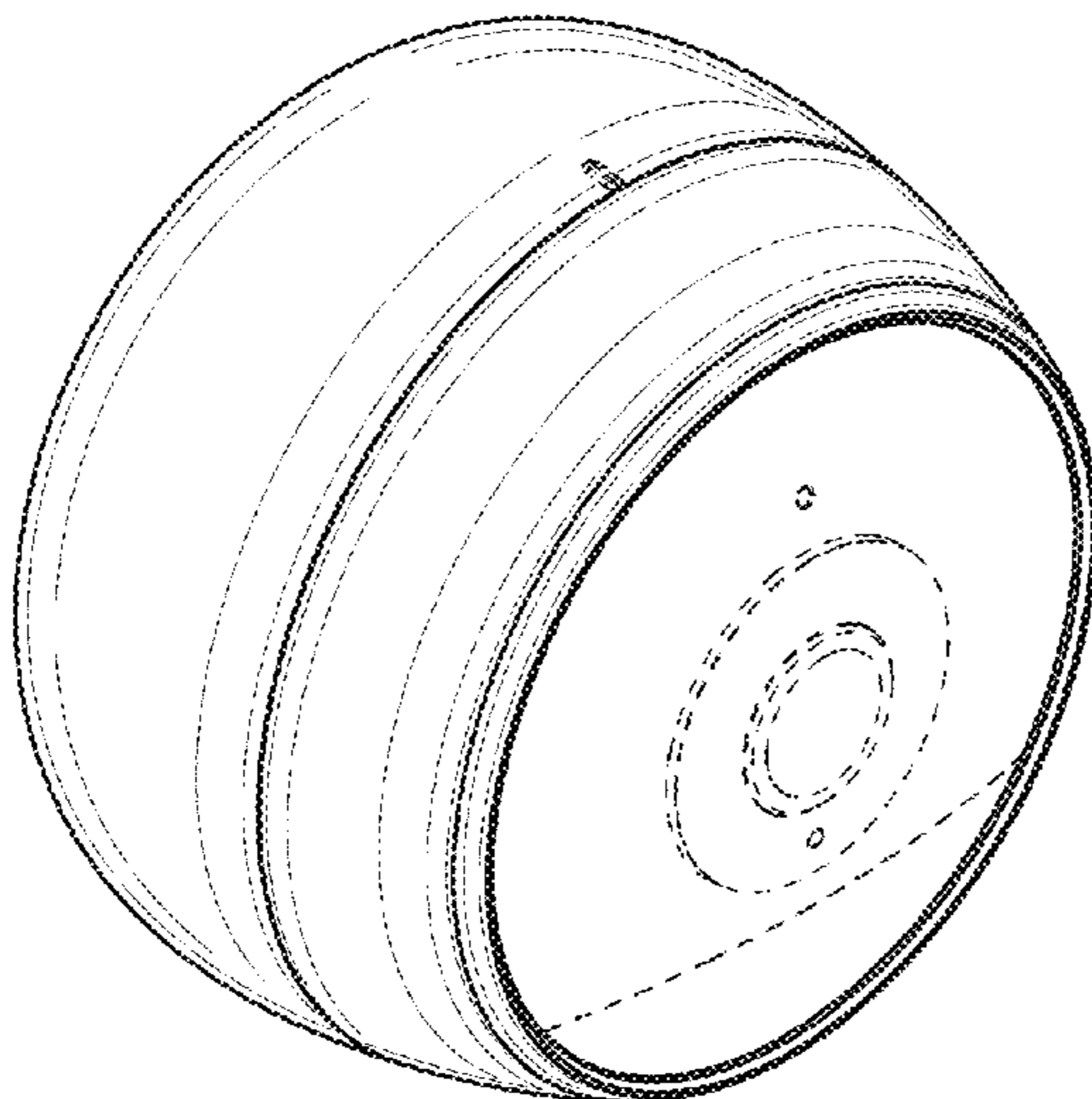
FIG. 8 is a bottom plan view thereof;

FIG. 9 is a left side elevation view thereof; and,

FIG. 10 is a right side elevation view thereof.

The broken lines depict portions of the video camera accessory in which the design is embodied that form no part of the claimed design.

1 Claim, 6 Drawing Sheets



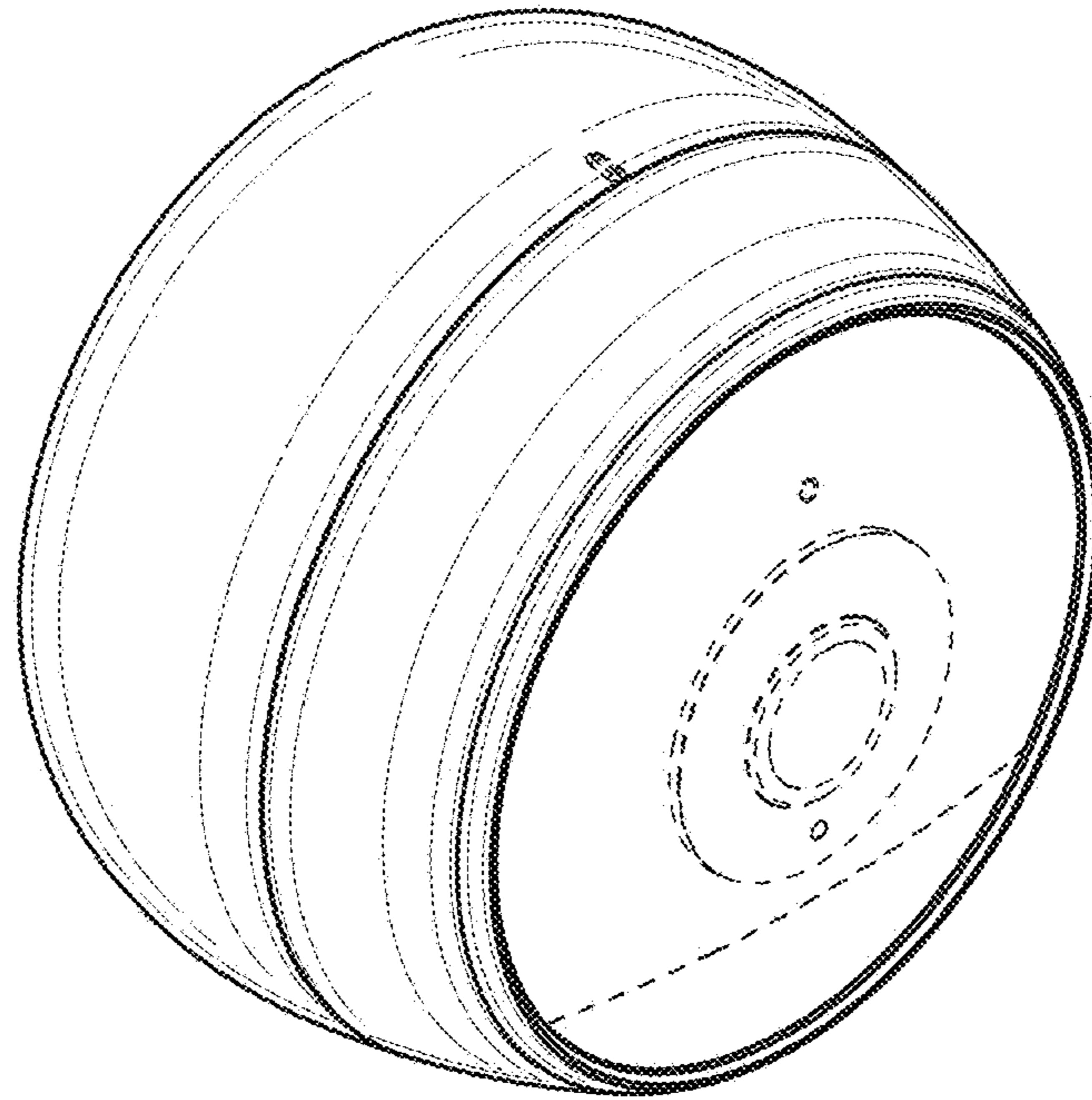


FIG. 1

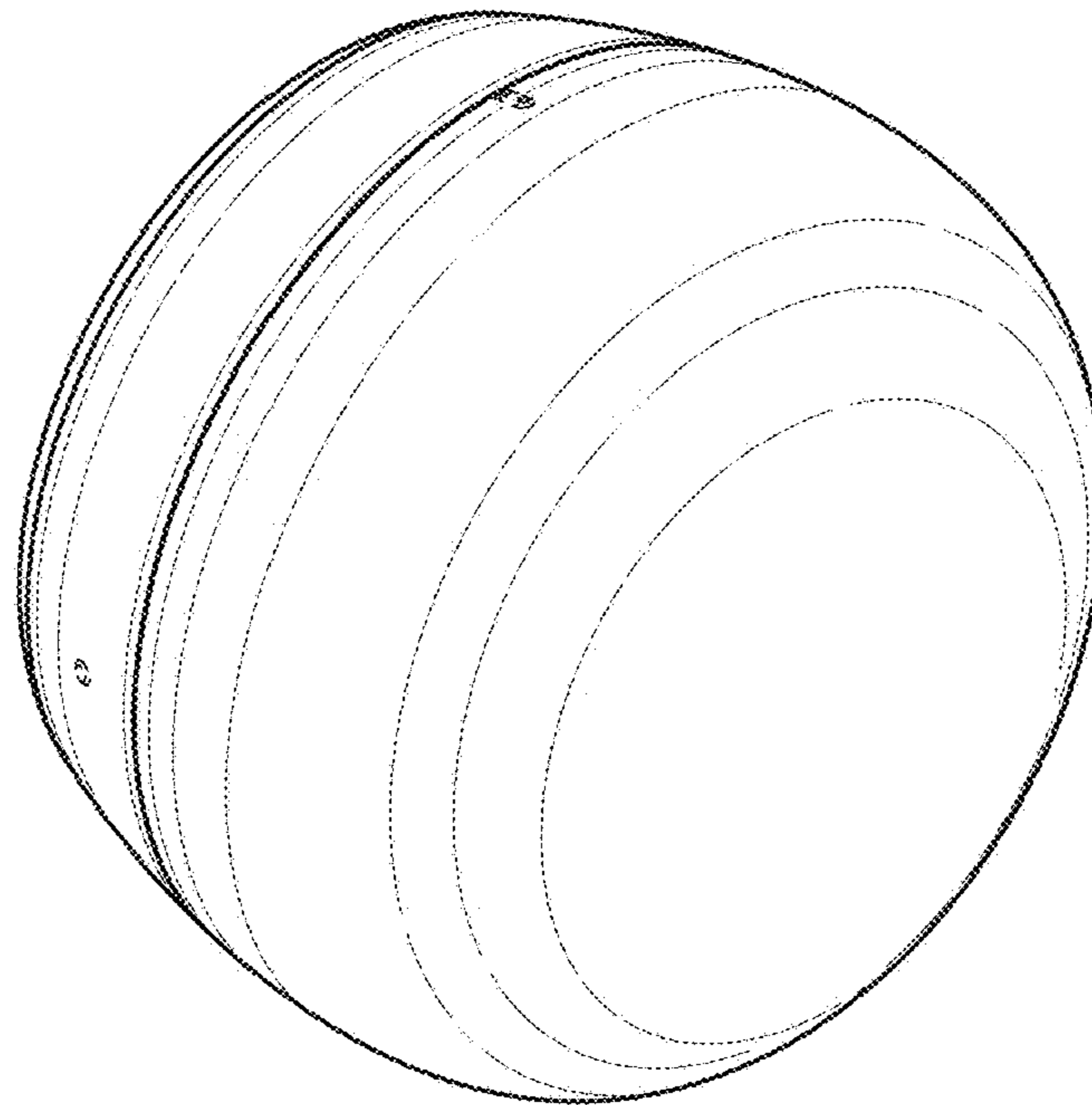


FIG. 2

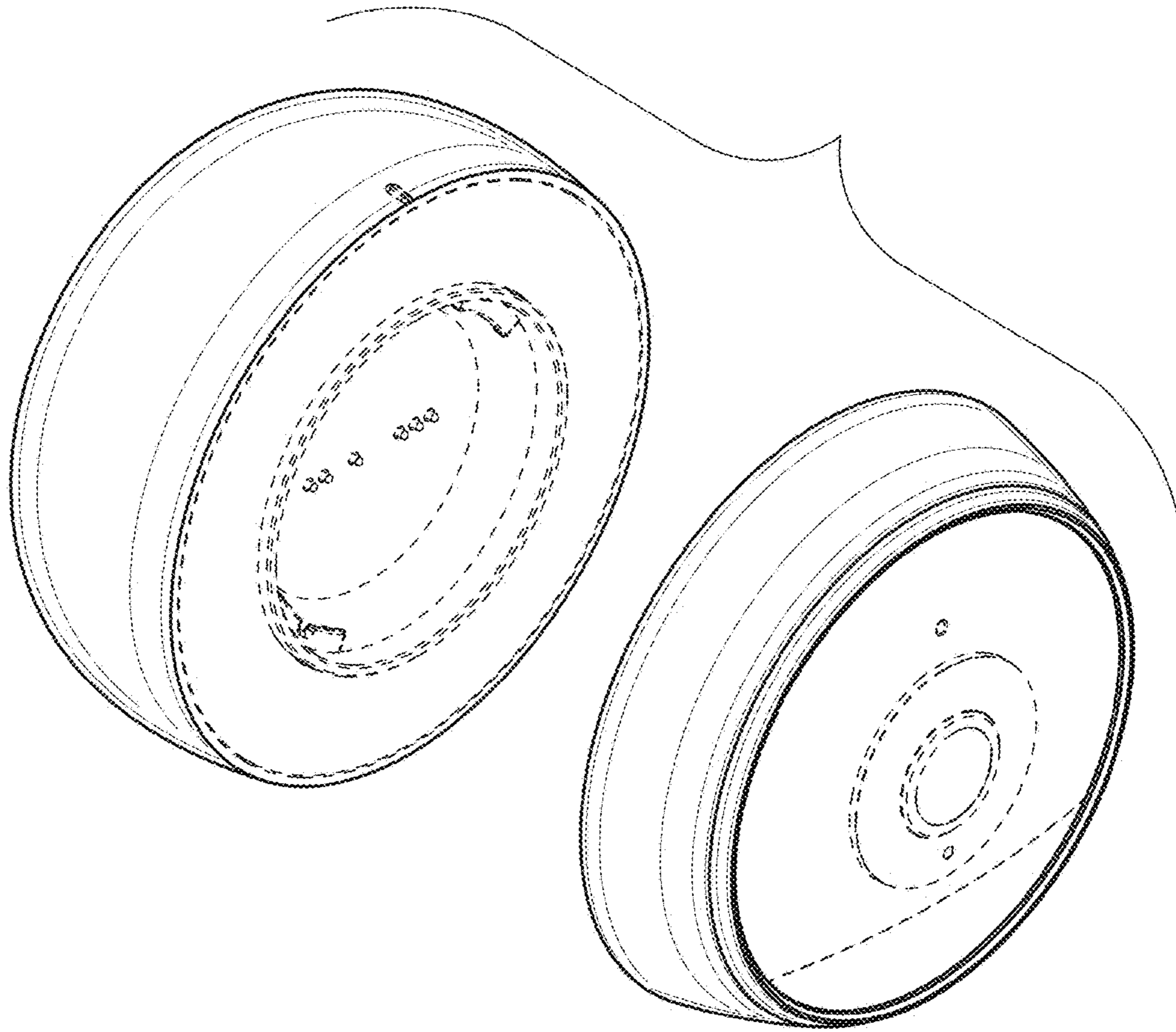


FIG. 3

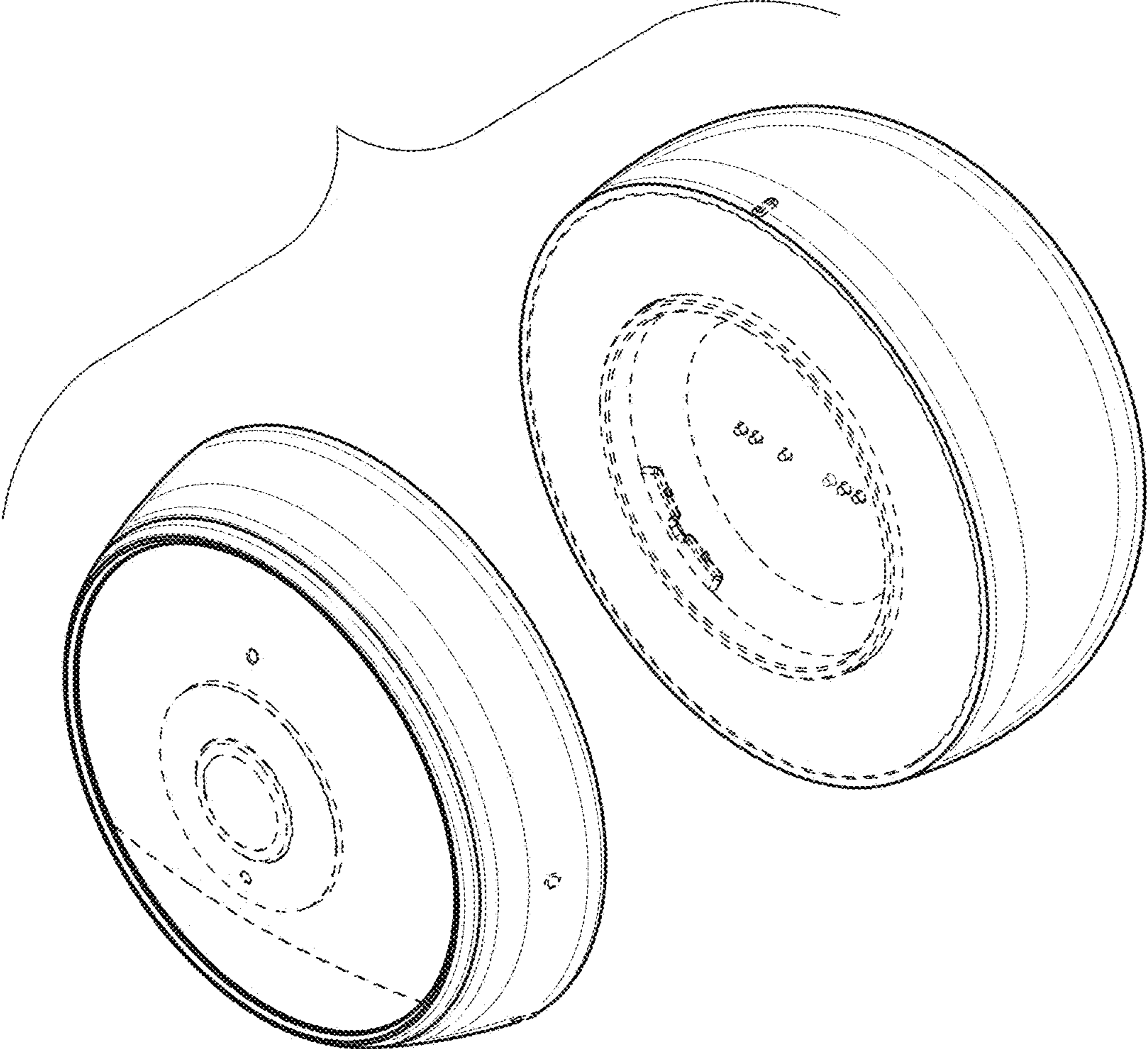


FIG. 4

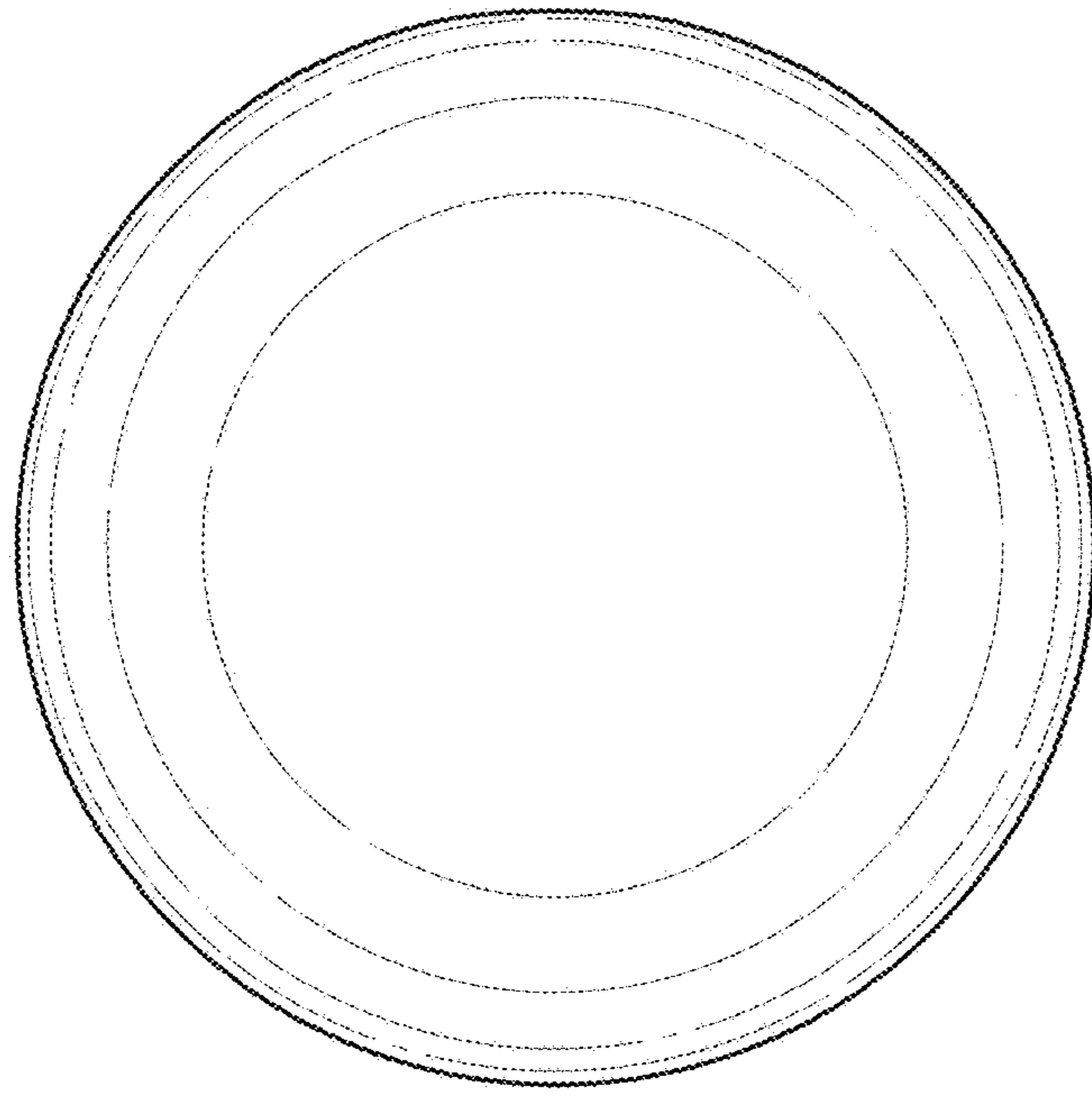


FIG. 5

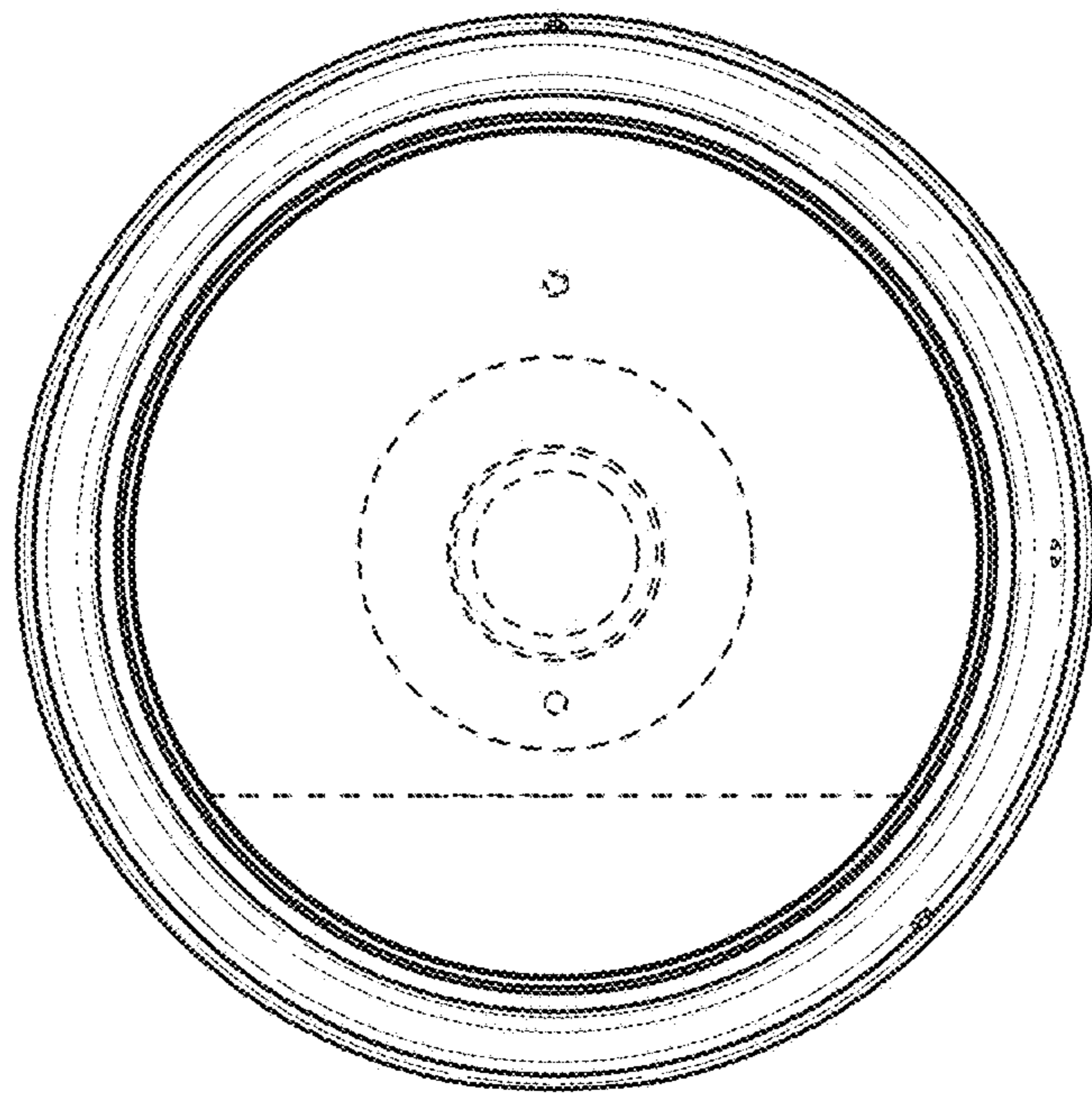


FIG. 6

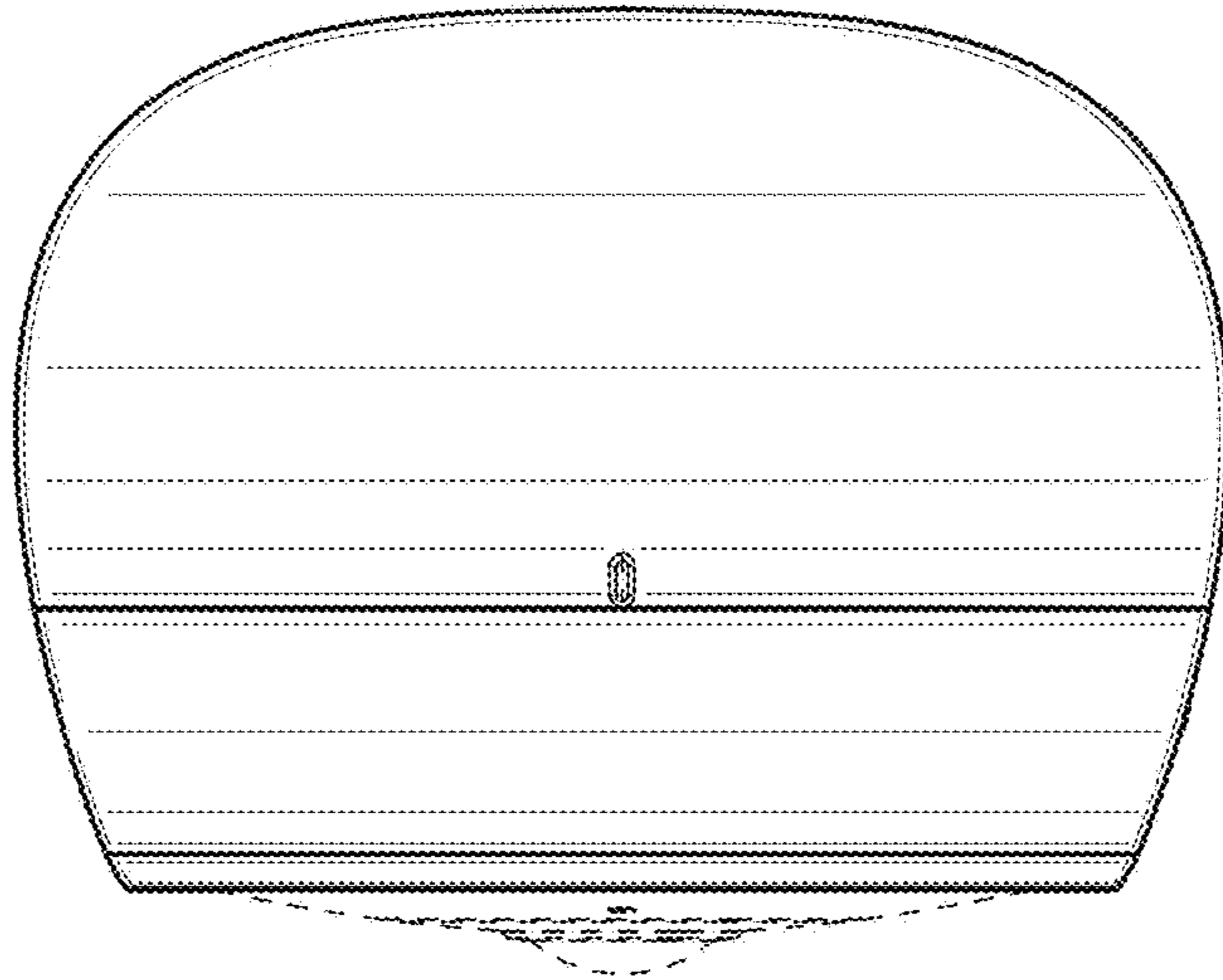


FIG. 7

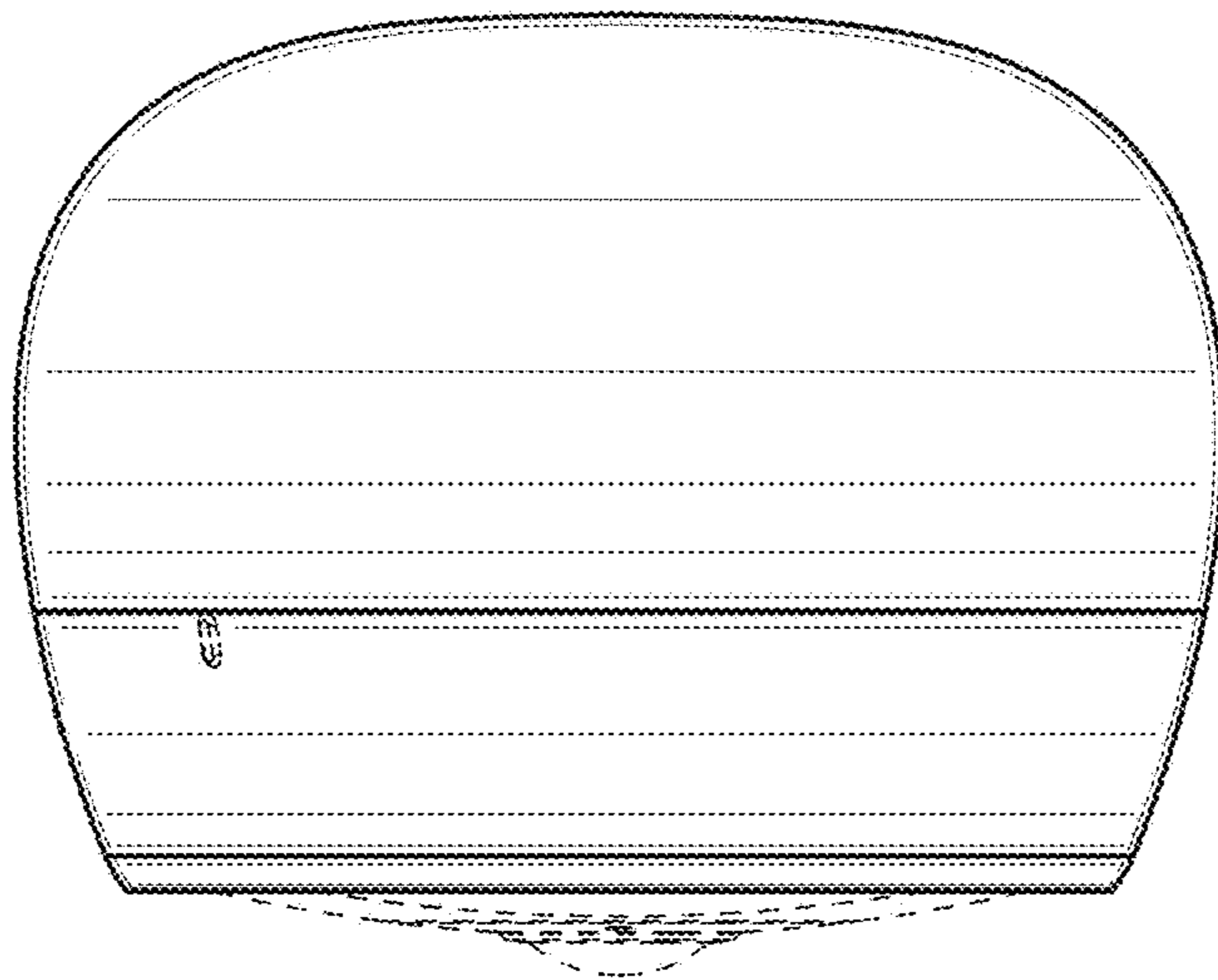


FIG. 8

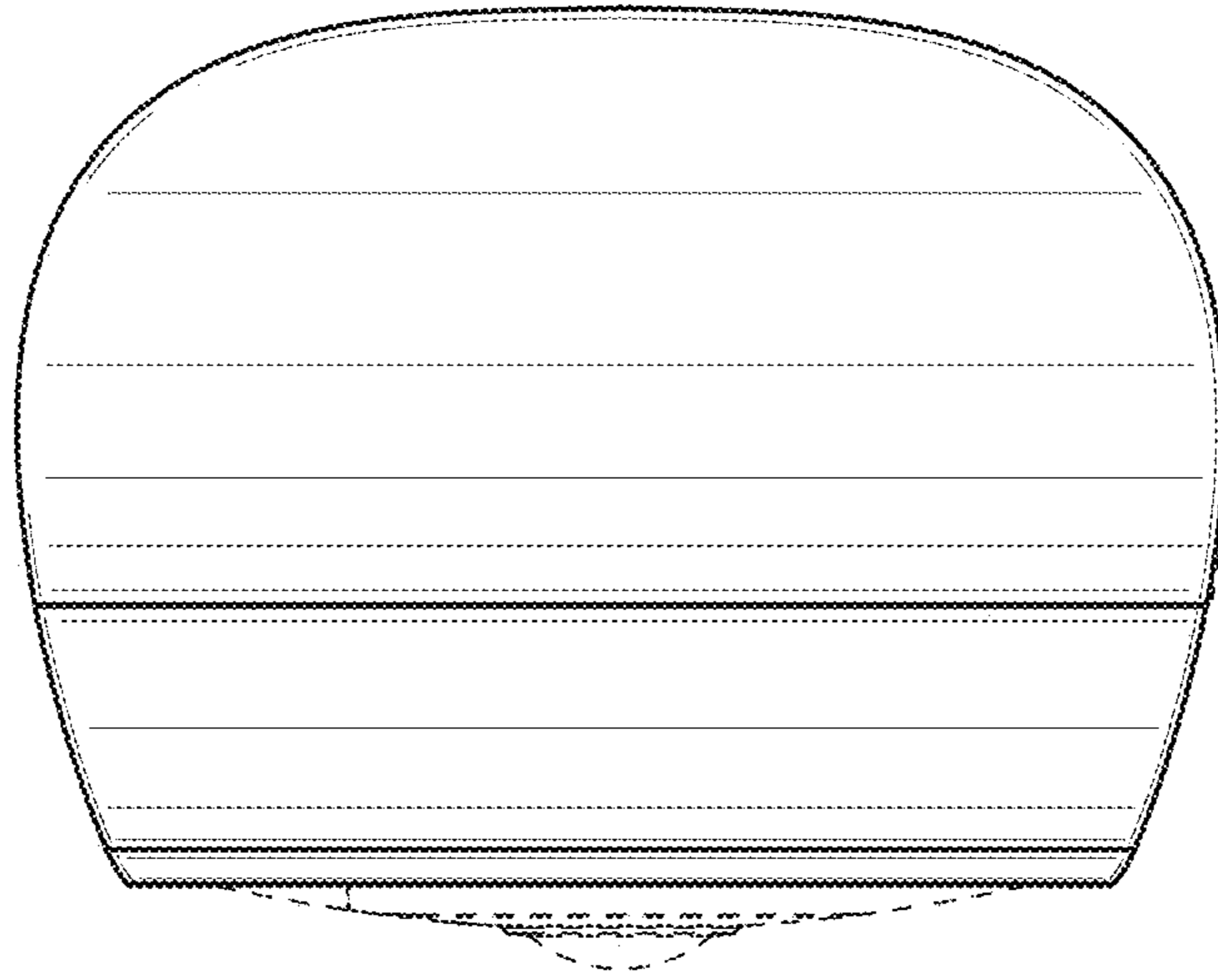


FIG. 9

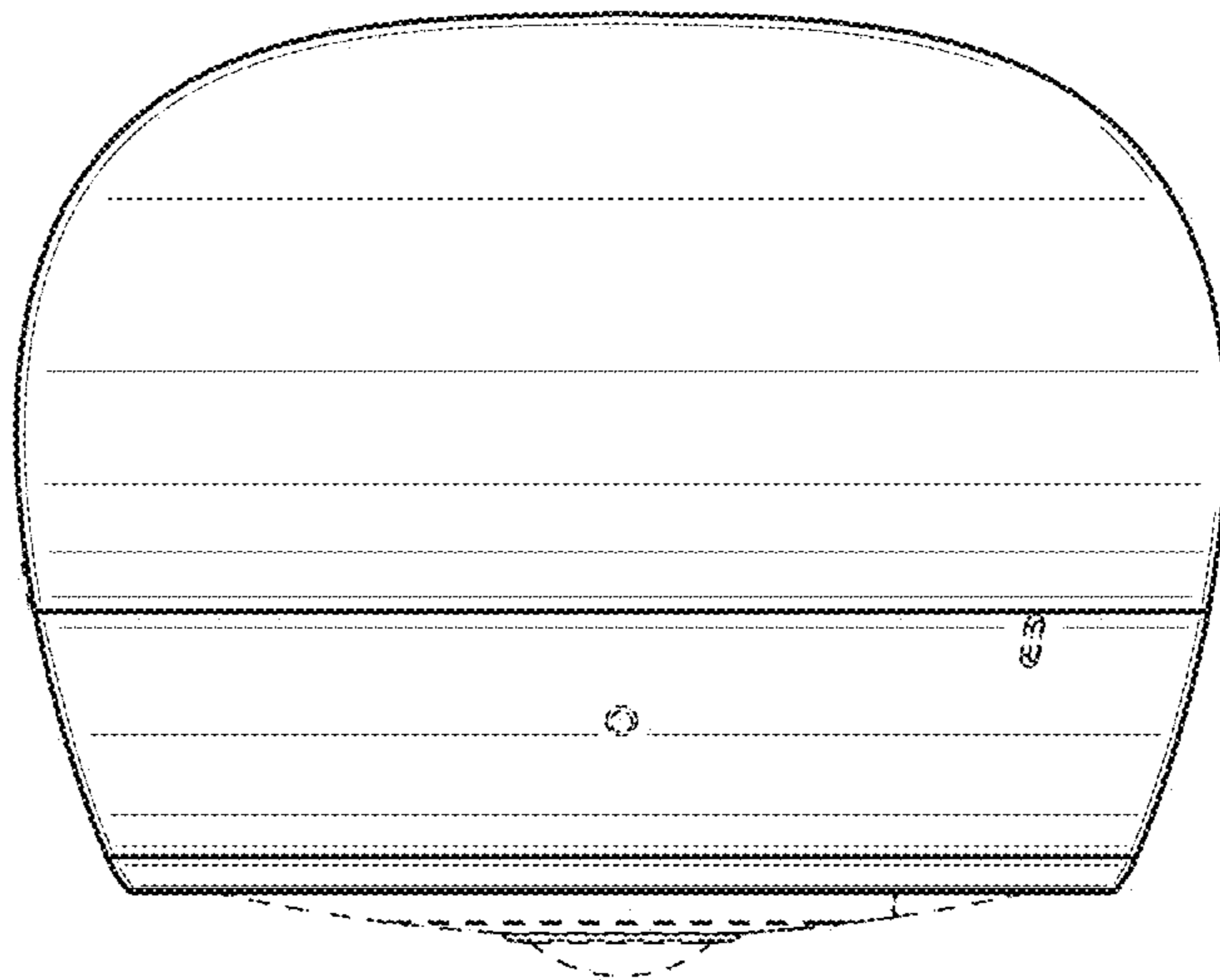


FIG. 10