



US00D849079S

(12) **United States Design Patent** (10) **Patent No.:** **US D849,079 S**
Pickett et al. (45) **Date of Patent:** **** May 21, 2019**

- (54) **IMAGE TRACKER ASSEMBLY**
- (71) Applicant: **Oculus VR, LLC**, Menlo Park, CA (US)
- (72) Inventors: **David Michael Pickett**, Seattle, WA (US); **Enric Vial Roig**, Seattle, WA (US); **Peter Wesley Bristol**, Seattle, WA (US)
- (73) Assignee: **Facebook Technologies, LLC**, Menlo Park, CA (US)

5,271,196 A	12/1993	Fanti et al.	
5,381,176 A	1/1995	Tanabe et al.	
5,384,609 A	1/1995	Ogawa et al.	
5,490,599 A	2/1996	Tohidi et al.	
D377,032 S	12/1996	Morooka et al.	
D389,500 S *	1/1998	Krekelberg D16/202
D396,869 S *	8/1998	Yamakawa D16/202
D403,338 S	12/1998	Dunn et al.	
5,954,310 A	9/1999	Soldo et al.	
6,056,450 A	5/2000	Walling	
6,311,641 B1	11/2001	Johnson	
6,411,332 B1	6/2002	Whitby et al.	

(Continued)

(**) Term: **15 Years**

(21) Appl. No.: **29/610,210**

(22) Filed: **Jul. 10, 2017**

Related U.S. Application Data

(62) Division of application No. 29/529,907, filed on Jun. 11, 2015.

(51) **LOC (11) Cl.** **16-01**

(52) **U.S. Cl.**
USPC **D16/202**; D16/214

(58) **Field of Classification Search**
USPC D16/200, 202–206, 212, 214–216, 218, D16/219, 227, 229, 235, 239, 240, 242, D16/244; D25/16; 52/27.5, 29, 36.1; 348/373–376; 396/2, 3, 5, 419, 424, 427, 396/429, 535, 539–541; 455/575.3
CPC G03B 15/00; G03B 15/03; G03B 15/06; G03B 17/02; G03B 17/04; G03B 17/53; G03B 17/56; G03B 19/04; H04N 5/2251; H04N 5/2252; H04N 5/2253; H04N 5/2254; H04N 2101/00
See application file for complete search history.

(56) **References Cited**

U.S. PATENT DOCUMENTS

1,915,835 A	6/1933	Pajeau et al.
4,593,877 A	6/1986	van der et al.

OTHER PUBLICATIONS

Notice of Allowance dated Oct. 25, 2017 for U.S. Appl. No. 15/442,388 by Tompkins, G., et al. filed Feb. 24, 2017.

(Continued)

Primary Examiner — Ramzi S Almatrahi

(74) *Attorney, Agent, or Firm* — FisherBroyles, LLP

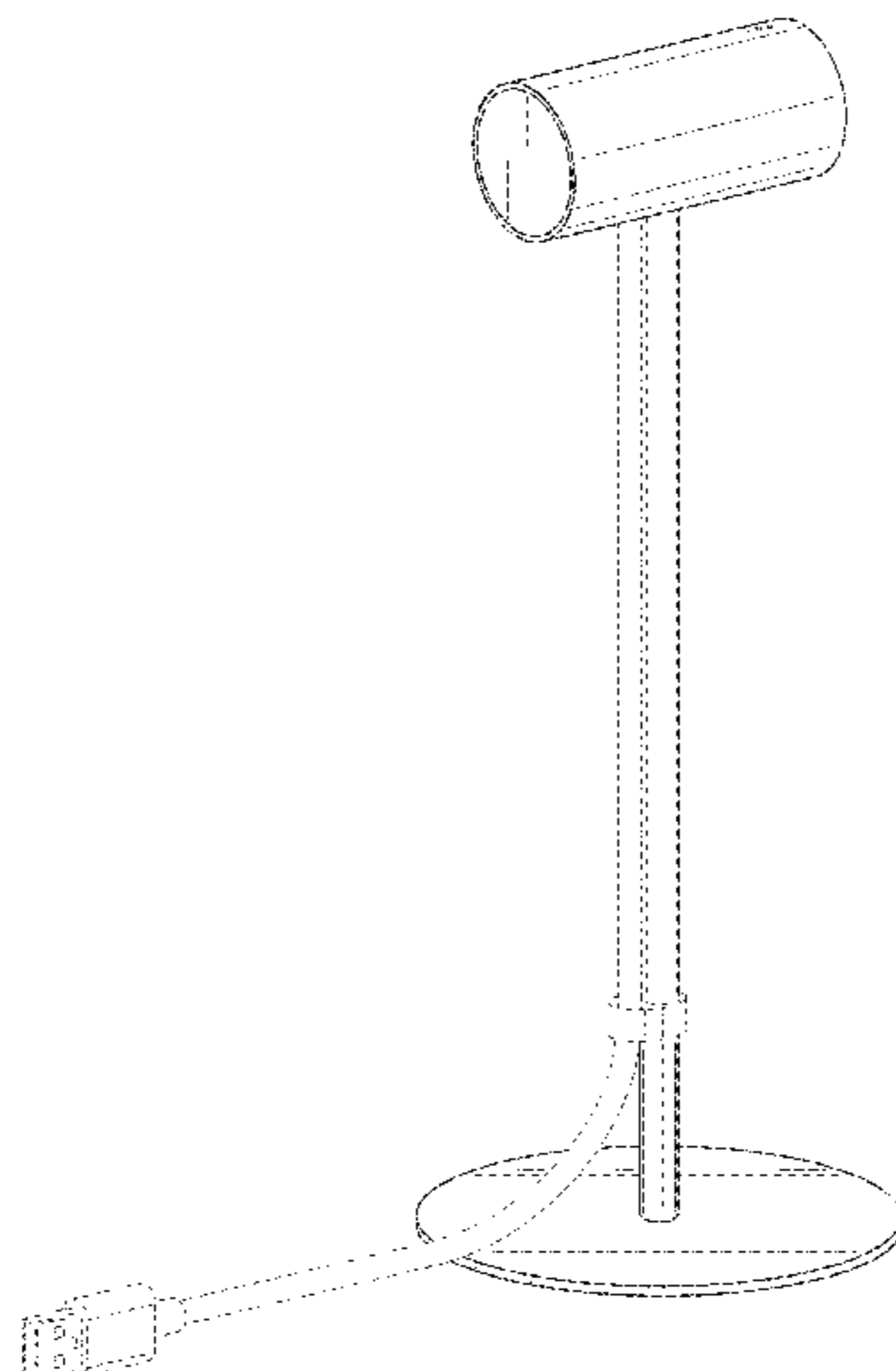
(57) **CLAIM**

The ornamental design for an image tracker assembly, as shown and described.

DESCRIPTION

FIG. 1 is an isometric view of an image tracker assembly showing the new design.
FIG. 2 is a left side elevation view thereof.
FIG. 3 is a right side elevation view thereof.
FIG. 4 is a rear elevation view thereof.
FIG. 5 is a front elevation view thereof.
FIG. 6 is a top plan view thereof; and,
FIG. 7 is a bottom plan view thereof.
The broken lines depict portions of the image tracker assembly in which the design is embodied that form no part of the claimed design.

1 Claim, 7 Drawing Sheets



(56)

References Cited

U.S. PATENT DOCUMENTS

D509,842	S	9/2005	Ou et al.	
D511,352	S	11/2005	Oliver et al.	
D545,858	S	7/2007	Li et al.	
D548,763	S	8/2007	Boris et al.	
7,267,496	B2	9/2007	Wesselink et al.	
D558,250	S *	12/2007	Hsia	D16/203
D569,887	S	5/2008	Feng et al.	
7,612,825	B2	11/2009	Lapstun et al.	
7,690,851	B2	4/2010	Sugiyama et al.	
D636,421	S	4/2011	Sagen et al.	
D640,721	S	6/2011	Satine et al.	
D645,891	S	9/2011	Seo et al.	
D656,531	S *	3/2012	Ahn	D16/202
D696,329	S *	12/2013	Horiki	D16/203
8,661,890	B1	3/2014	Raithel et al.	
8,668,395	B2	3/2014	Mameda et al.	
8,730,387	B2	5/2014	Cordes et al.	
D709,542	S *	7/2014	Bailey	D16/202
D710,423	S *	8/2014	Teppan	D16/202
D717,853	S *	11/2014	Noreng	D16/203
D729,296	S	5/2015	Shelton	
D731,573	S *	6/2015	Lyngra	D16/202
D749,059	S *	2/2016	Hinokio	D14/216
D749,060	S *	2/2016	Hinokio	D14/216
9,686,453	B2	6/2017	Tompkins et al.	
2005/0151846	A1	7/2005	Thornhill et al.	
2010/0155549	A1	6/2010	Robinson et al.	
2011/0049060	A1	3/2011	Uy et al.	
2011/0108689	A1	5/2011	Dorris et al.	
2012/0120236	A1	5/2012	Xiao et al.	
2013/0215322	A1	8/2013	Haler et al.	
2016/0077410	A1	3/2016	Lytle	
2017/0104899	A1	4/2017	Bristol et al.	
2017/0134621	A1	5/2017	Tompkins et al.	
2017/0163854	A1	6/2017	Tompkins et al.	

OTHER PUBLICATIONS

Final Office Action dated Nov. 16, 2017, for U.S. Appl. No. 29/529,907 by Pickett, D., et al., filed Jun. 11, 2015.
 Non-Final Office Action dated Jul. 27, 2017 for U.S. Appl. No. 29/529,907 by Pickett, D., et al., filed Jun. 11, 2015.
 Blain, L., "'Ancient' Oculus Rift concepts leak new controller and front-facing camera," GamesRadar+, dated Jun. 9, 2015, 8 pages.

Examiner's Report dated Mar. 4, 2016 for Australian Application No. 366593, of Pickett, D., et al., filed Dec. 8, 2015.
 Examiner's Report dated Mar. 4, 2016 for Australian Application No. 366594, of Pickett, D., et al., filed Dec. 8, 2015.
 Final Office Action dated Nov. 22, 2016, for U.S. Appl. No. 14/877,833 by Bristol, P., et al., filed Oct. 7, 2015.
 First Examination Report dated Feb. 4, 2016 for Israeli Application No. 57745, of Pickett, D., et al., filed Nov. 26, 2015.
 First Examination Report dated Mar. 18, 2016 for Indian Design Application No. 278181, of Pickett, D., et al., filed Dec. 9, 2015.
 First Examination Report dated Mar. 18, 2016 for Indian Design Application No. 278192, of Pickett, D., et al., filed Dec. 9, 2015.
 First Examiner's Report dated Apr. 8, 2016 for Canadian Application No. 167,442, filed Jul. 6, 2015.
 First Examiner's Report dated Nov. 19, 2015 for Canadian Application No. 163,155, filed Jul. 6, 2015.
 Lang, B., "Front-facing Camera and New Positional Tracker for Oculus Rift Shown in Leak," Road to VR, Jun. 9, 2015, 2 pages.
 Lang, B., "Oculus Rift Input Controller Revealed in Leaked 'Placeholder Concept'", Road to VR, dated Jun. 9, 2015, 2 pages.
 Non-Final Office Action dated Aug. 16, 2016, for U.S. Appl. No. 14/877,833 by Bristol, P., et al., filed Oct. 7, 2015.
 Non-Final Office Action dated Jan. 30, 2017, for U.S. Appl. No. 14/935,295 by Tompkins, G., et al., filed Nov. 6, 2015.
 Non-Final Office Action dated May 17, 2017, for U.S. Appl. No. 15/442,388 by Tompkins, G., et al., filed Feb. 24, 2017.
 Notice of Allowance dated Mar. 23, 2017, for U.S. Appl. No. 14/935,295 by Tompkins, G., et al., filed Nov. 6, 2015.
 Notice of Preliminary Rejection dated Oct. 9, 2016 for Korean Application No. 30-2015-0063431, of Pickett, D., et al., filed Dec. 11, 2015.
 Orland, K., "Leaked images could point to Oculus controller, final Rift design," ars Technica, dated Jun. 10, 2015, 2 pages.
 Restriction Requirement dated May 30, 2017 for U.S. Appl. No. 29/529,907 by Pickett, D., et al., filed Jun. 11, 2015.
 Second Examiner's Report dated Mar. 15, 2016 for Canadian Application No. 163,155, filed Jul. 6, 2015.
 U.S. Appl. No. 14/877,833 by Bristol, P., et al., filed Oct. 7, 2015.
 U.S. Appl. No. 14/935,295 by Tompkins, G., et al., filed Nov. 6, 2015.
 U.S. Appl. No. 15/442,388 by Tompkins, G., et al. filed Feb. 24, 2017.
 U.S. Appl. No. 29/529,907 by Pickett, D., et al., filed Jun. 11, 2015.

* cited by examiner

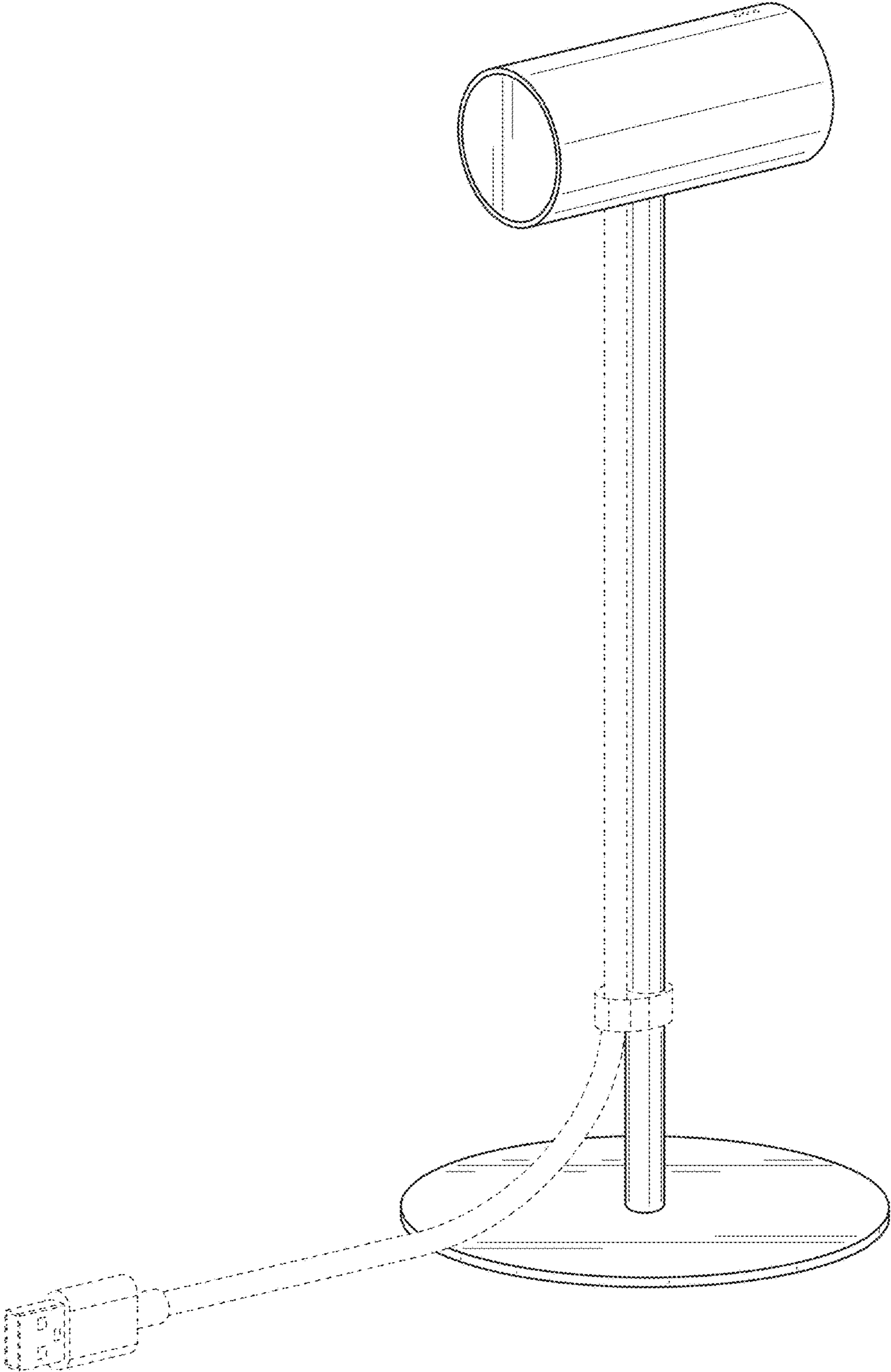


FIG. 1

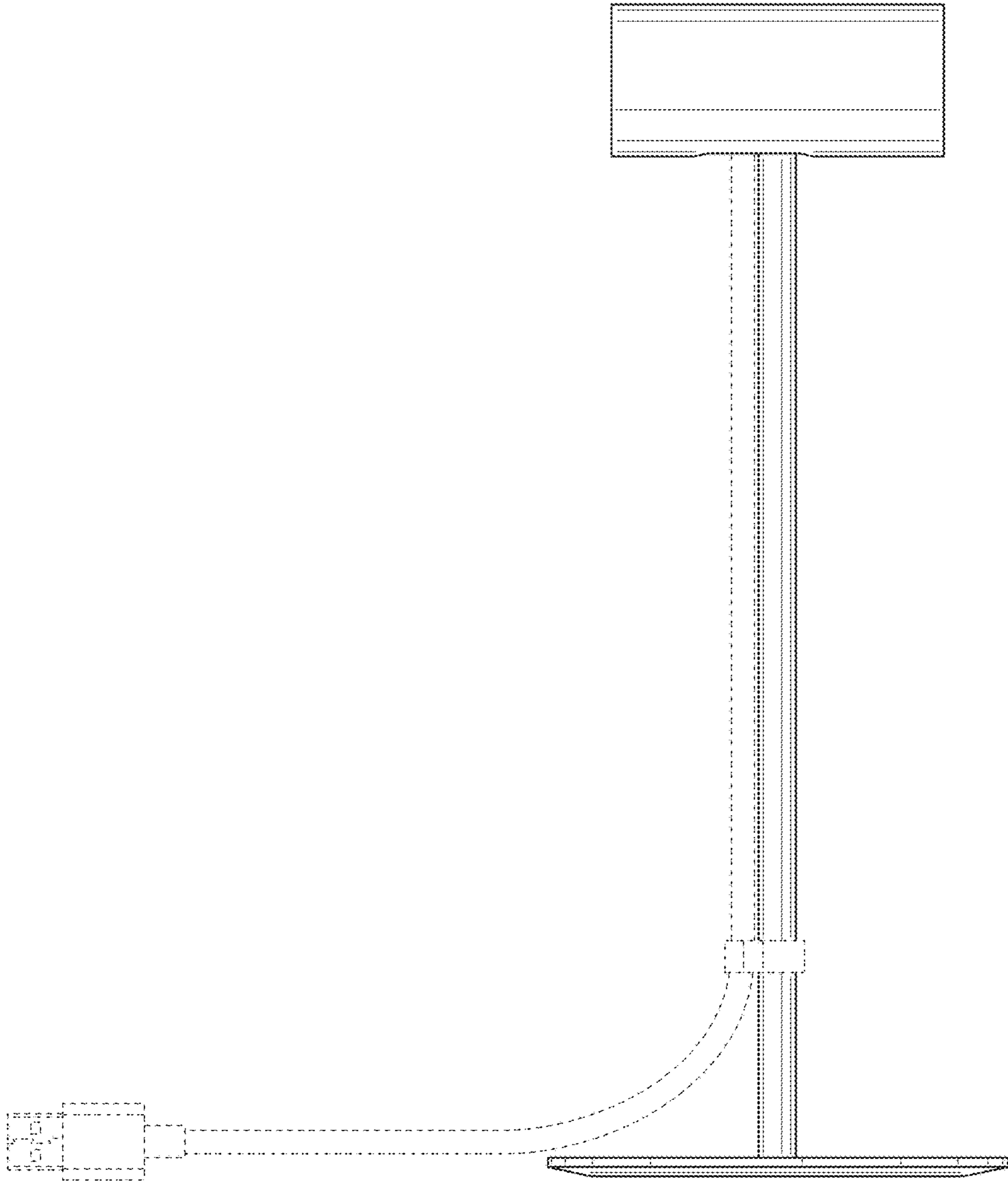


FIG. 2

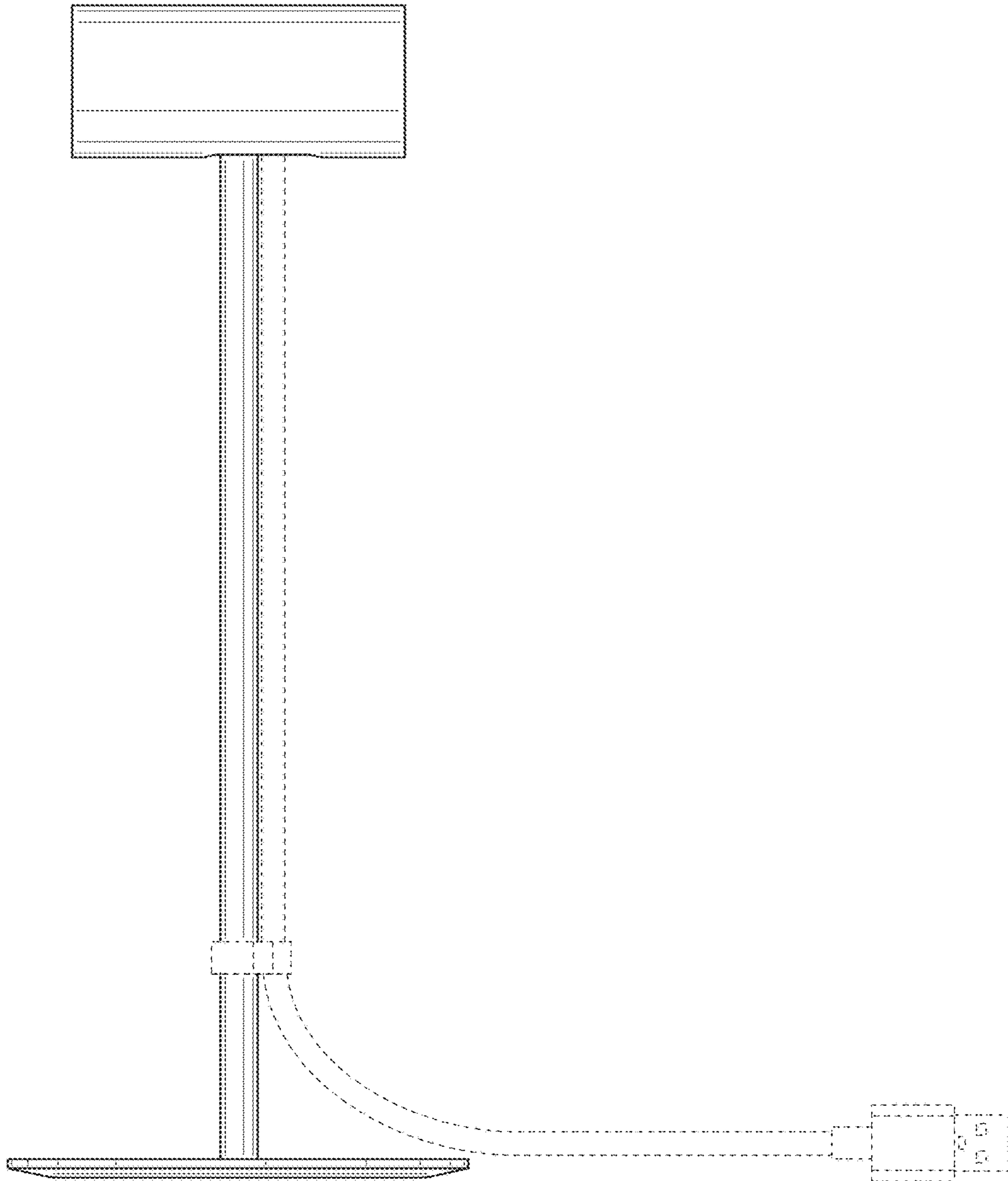


FIG. 3

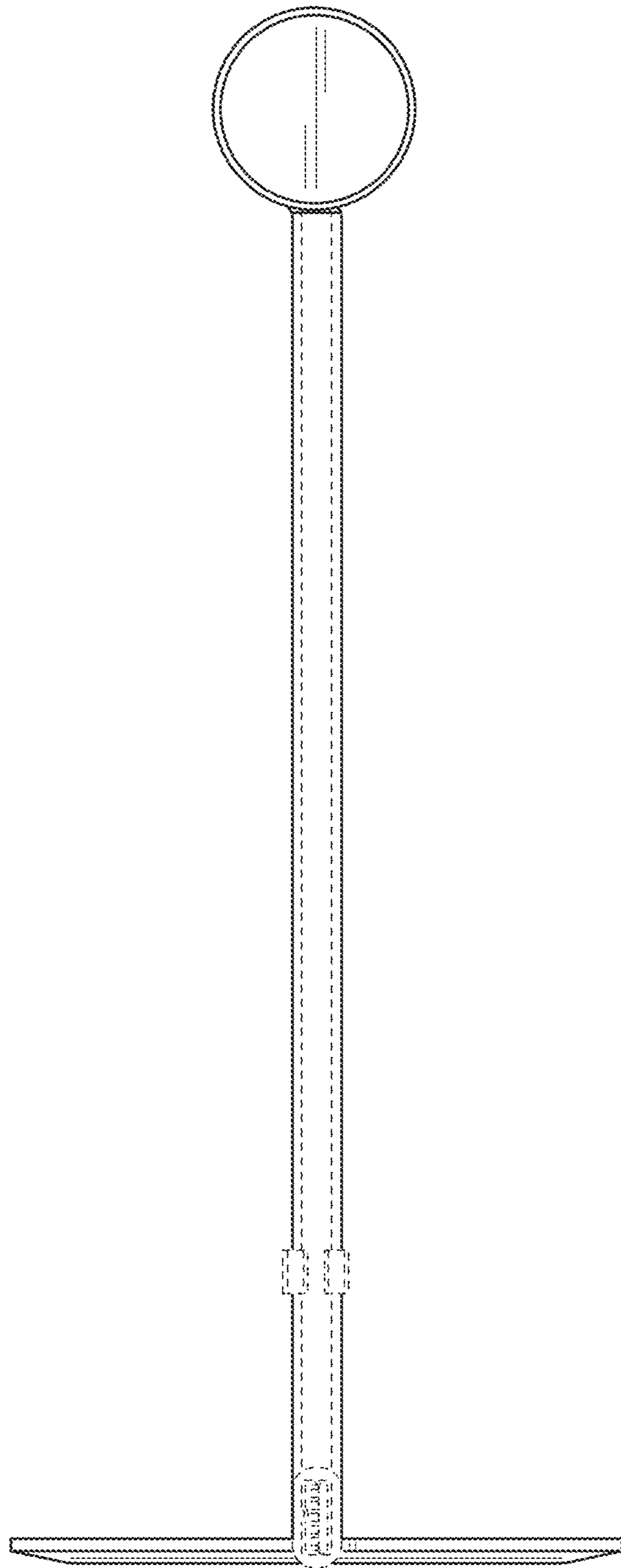


FIG. 4

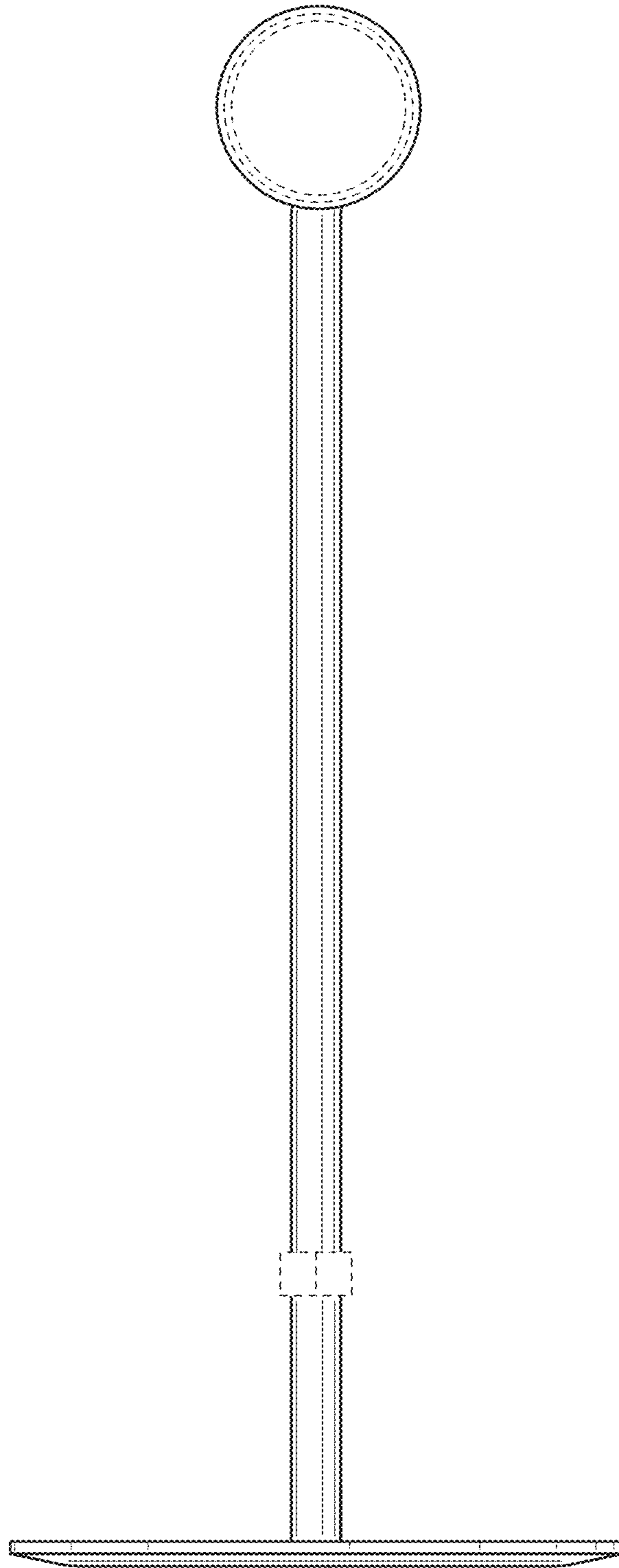


FIG. 5

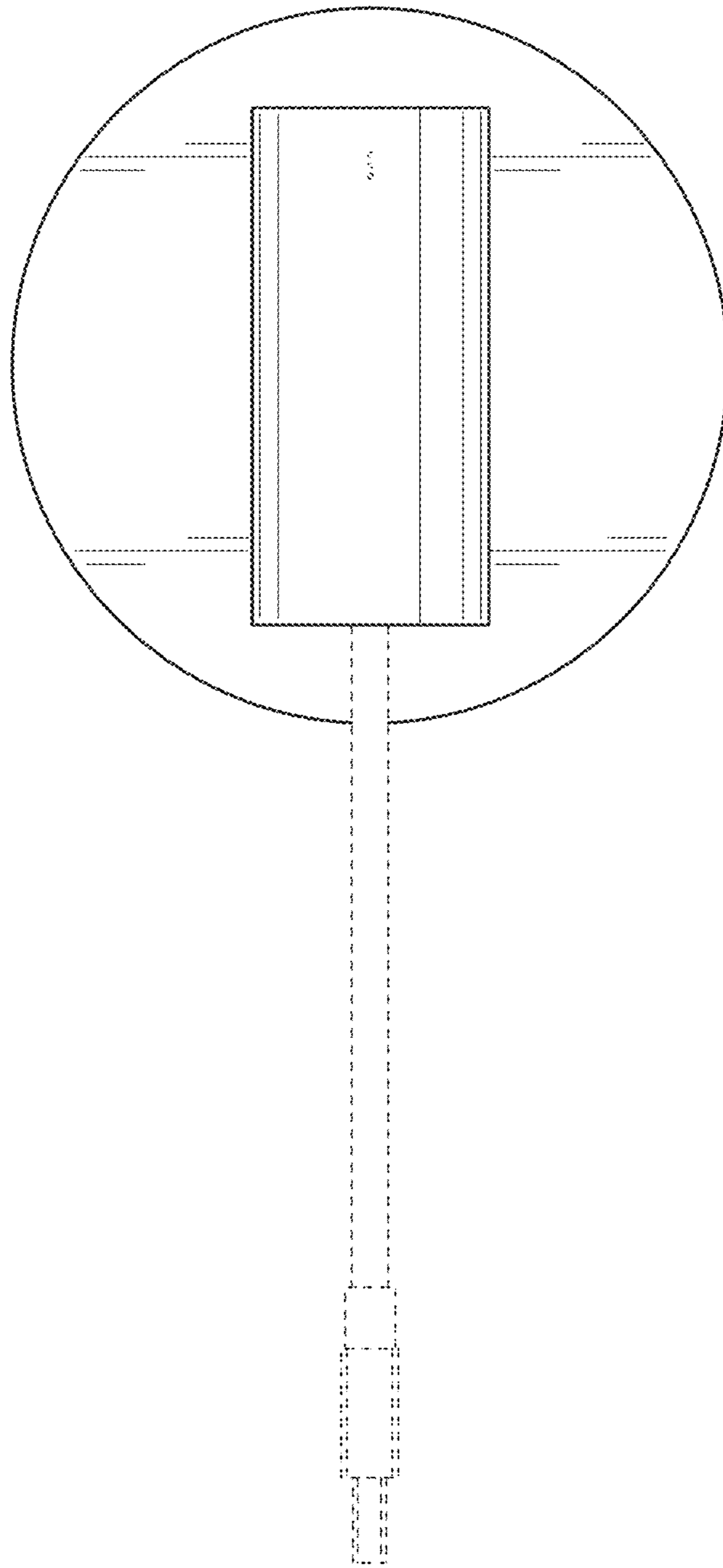


FIG. 6

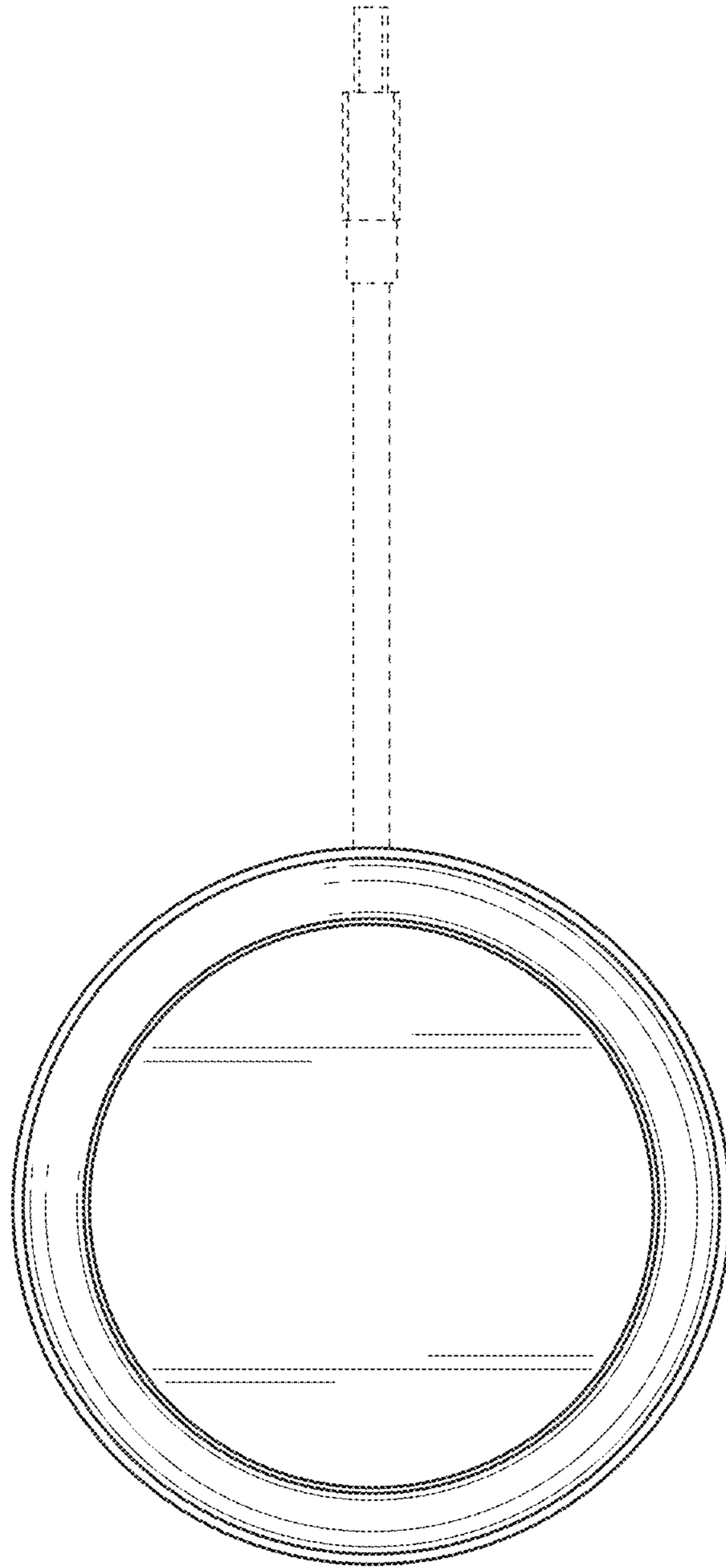


FIG. 7