



US00D849077S

(12) **United States Design Patent** (10) **Patent No.:** **US D849,077 S**  
**Tian** (45) **Date of Patent:** **\*\* May 21, 2019**

(54) **CAMERA ASSEMBLY**  
(71) Applicant: **Shenzhen Reo-link Digital Technology Co, Ltd.**, Guangdong Province (CN)  
(72) Inventor: **Dongsun Tian**, Guangdong Province (CN)  
(73) Assignee: **SHENZHEN REO-LINK DIGITAL TECHNOLOGY CO, LTD.**, Guangdong Province (CN)

D627,815 S \* 11/2010 Oba ..... D16/202  
D649,573 S \* 11/2011 Al ..... D16/202  
D697,119 S \* 1/2014 Park ..... D16/202  
D721,754 S \* 1/2015 Chen ..... D16/202  
D733,781 S \* 7/2015 Chen ..... D16/202  
D743,467 S \* 11/2015 Bhattacharya ..... D16/203  
D746,350 S \* 12/2015 Li ..... D16/203  
D748,709 S \* 2/2016 Jeong ..... D16/202  
D754,233 S \* 4/2016 Du ..... D16/211  
D795,938 S \* 8/2017 Ravat ..... D16/202  
D804,561 S \* 12/2017 Luo ..... D16/202

\* cited by examiner

(\*\*) Term: **15 Years**

*Primary Examiner* — Ramzi S Almatrahi

(21) Appl. No.: **29/600,689**

(74) *Attorney, Agent, or Firm* — Scully Scott Murphy & Presser

(22) Filed: **Apr. 14, 2017**

(51) **LOC (11) Cl.** ..... **16-01**

(52) **U.S. Cl.**  
USPC ..... **D16/202**

(57) **CLAIM**

(58) **Field of Classification Search**  
USPC ..... D16/200, 202–205, 208, 211, 214, 218,  
D16/219, 221, 242; 348/14.01–14.06,  
348/143, 148, 373–376; 396/419, 427,  
396/535, 539–541

The ornamental design for a camera assembly, as shown and described.

CPC ..... G03B 17/02; G03B 19/04; G03B 17/56;  
G03B 17/04; G03B 15/03; H04N 5/2251;  
H04N 5/2252; H04N 5/2253; H04N  
5/2254; H04N 2007/145; H04N 7/141;  
H04N 7/142; H04N 7/147; H04N 7/148;  
H04N 7/15; H04N 7/152

**DESCRIPTION**

See application file for complete search history.

FIG. 1 is a perspective view of a camera assembly showing my new design;  
FIG. 2 is a front elevation view thereof;  
FIG. 3 is a rear elevation view thereof;  
FIG. 4 is a left elevation view thereof;  
FIG. 5 is a right elevation view thereof;  
FIG. 6 is a top plan view thereof; and,  
FIG. 7 is a bottom plan view thereof.

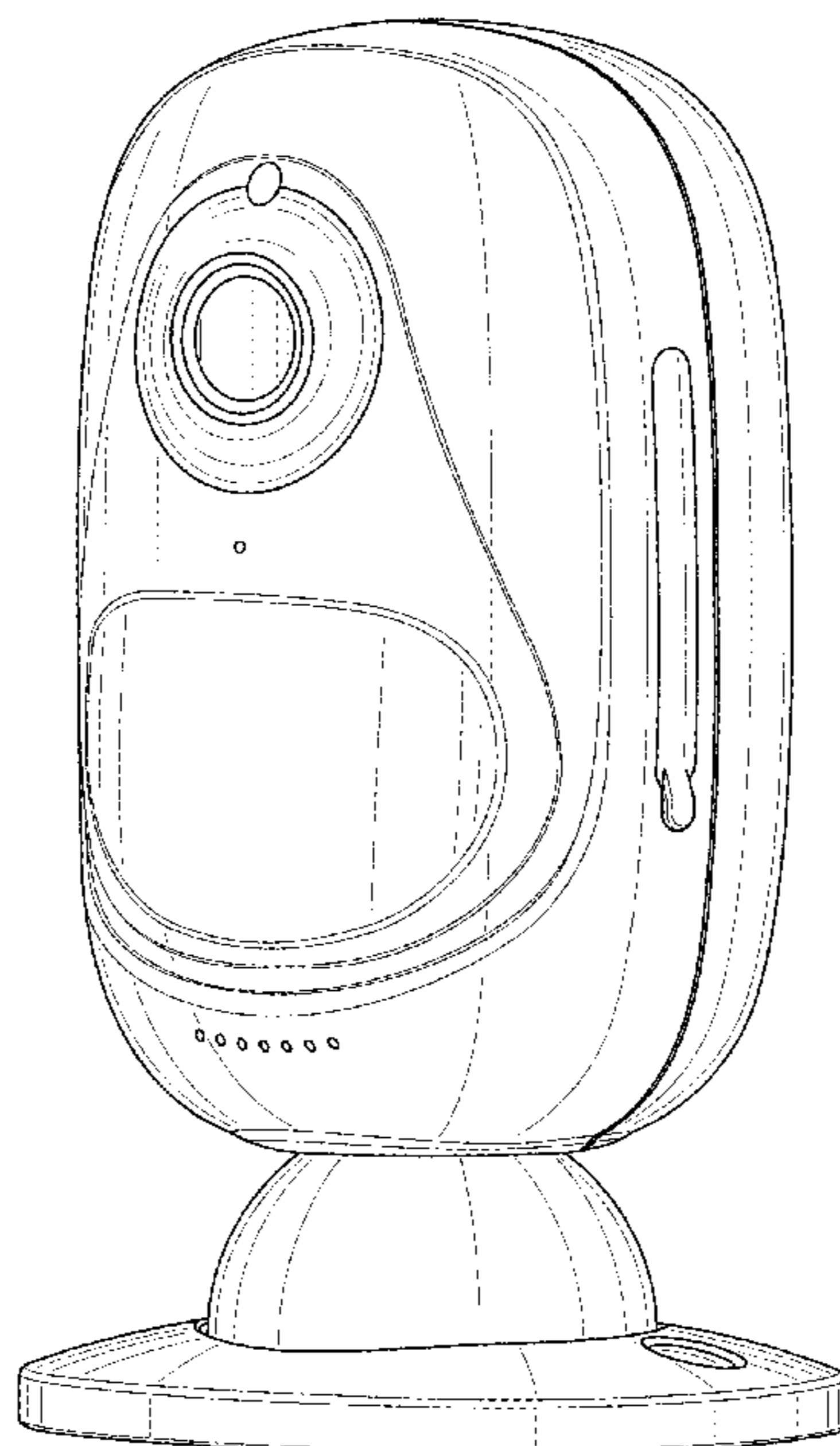
The broken lines illustrate portions of the camera assembly that form no part of the claimed design.

(56) **References Cited**

**U.S. PATENT DOCUMENTS**

D534,938 S \* 1/2007 Beasley ..... D14/130  
D550,267 S \* 9/2007 Oh ..... D16/202

**1 Claim, 7 Drawing Sheets**



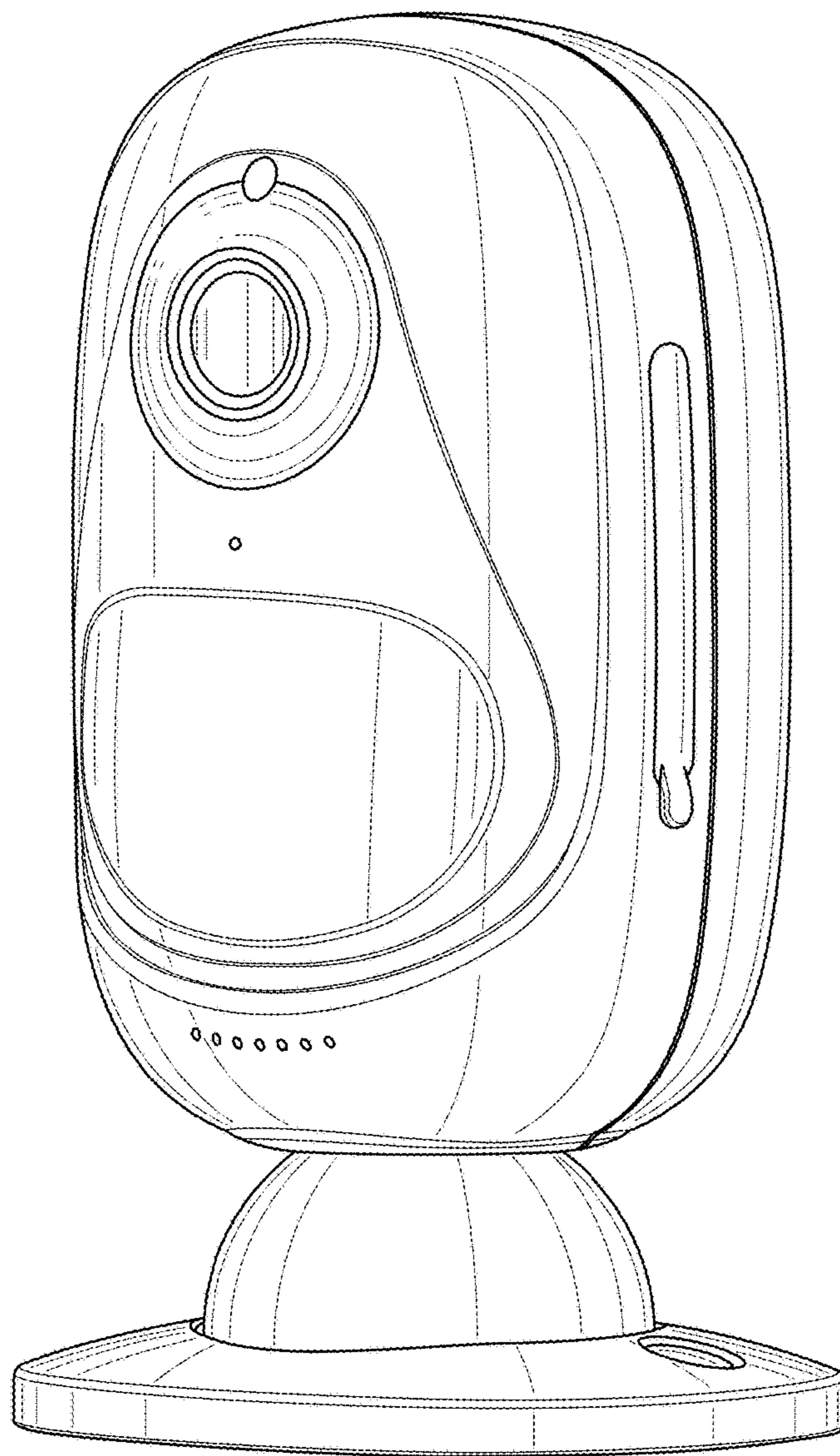


FIG. 1

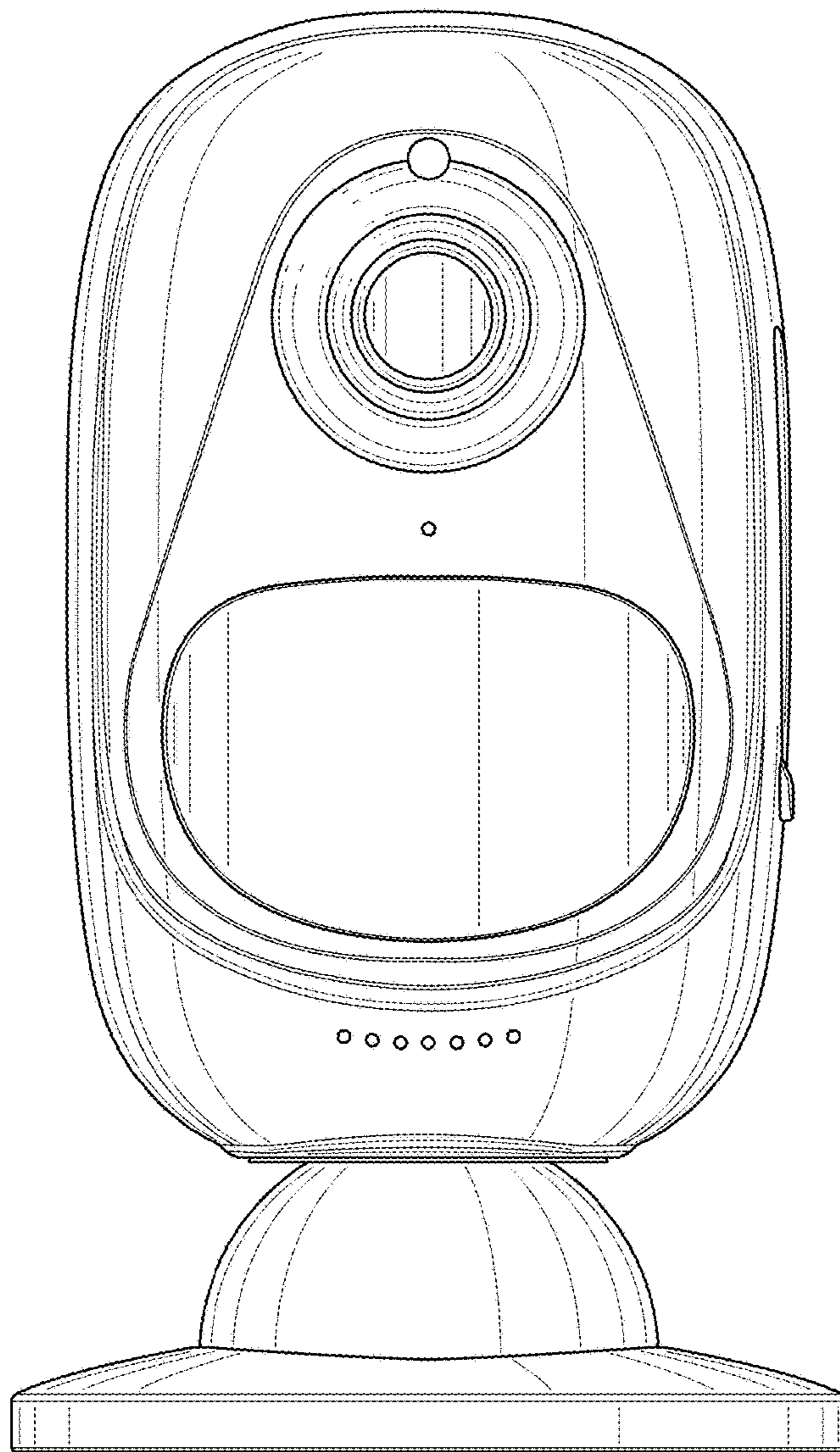


FIG. 2

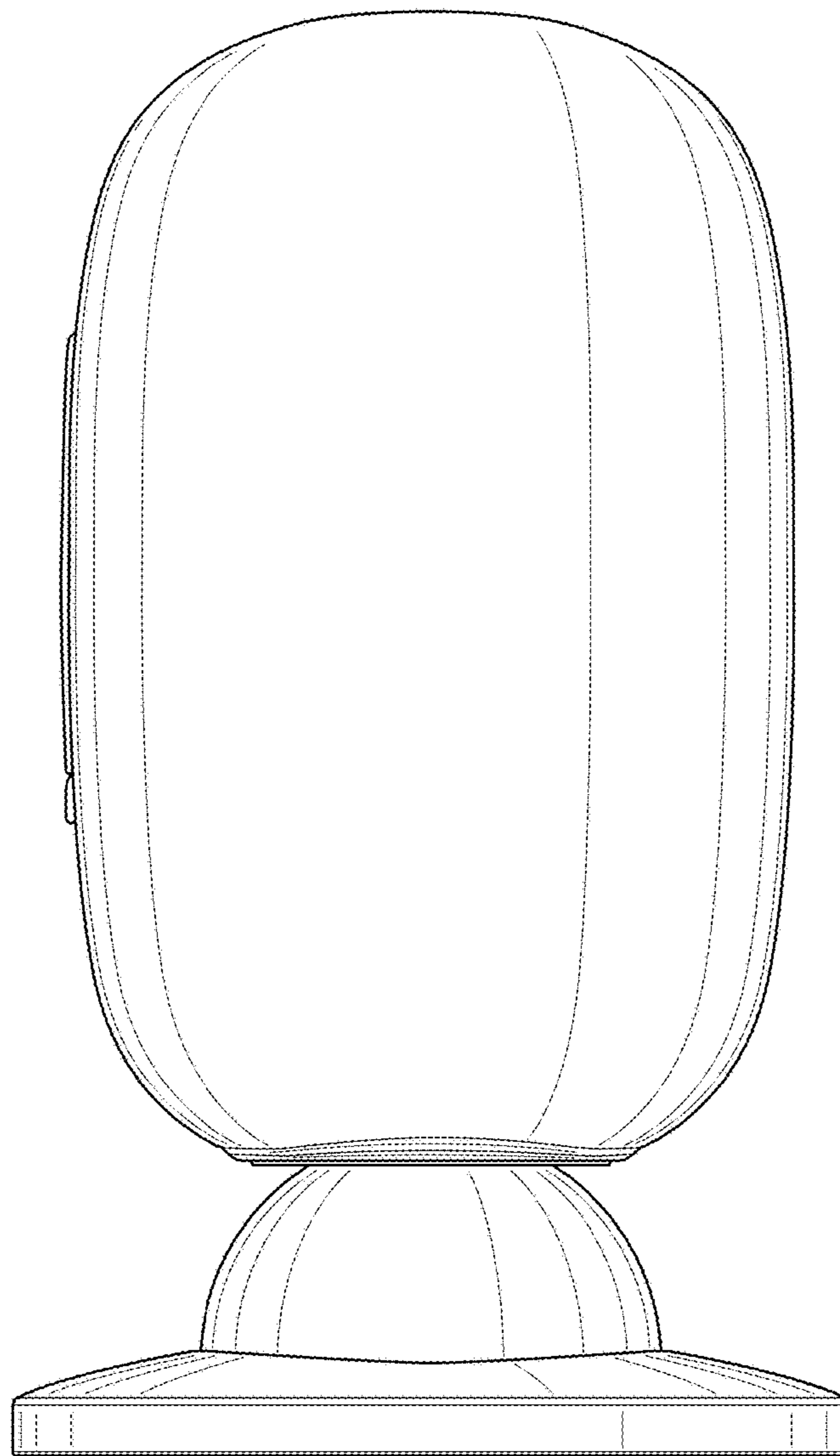


FIG. 3

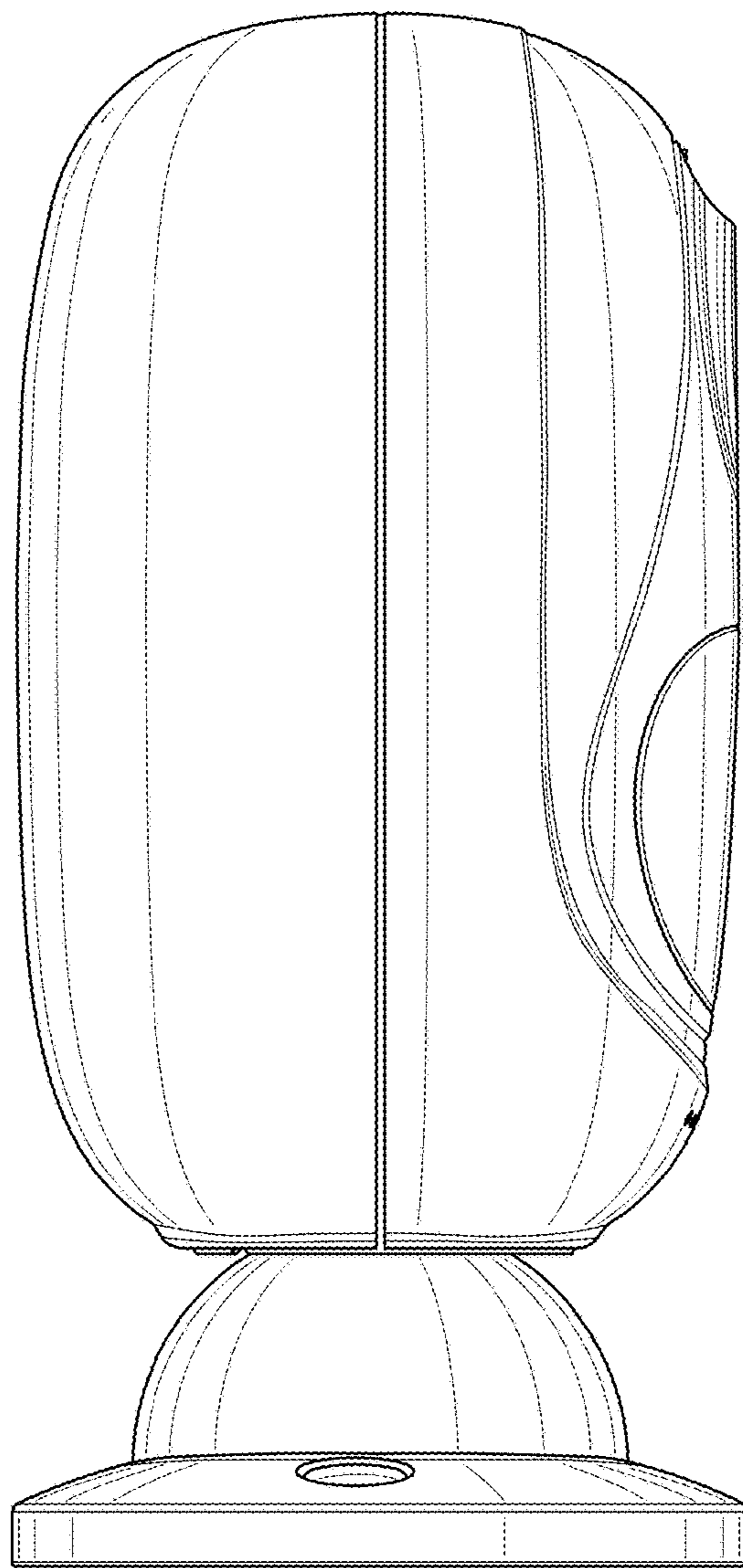


FIG. 4

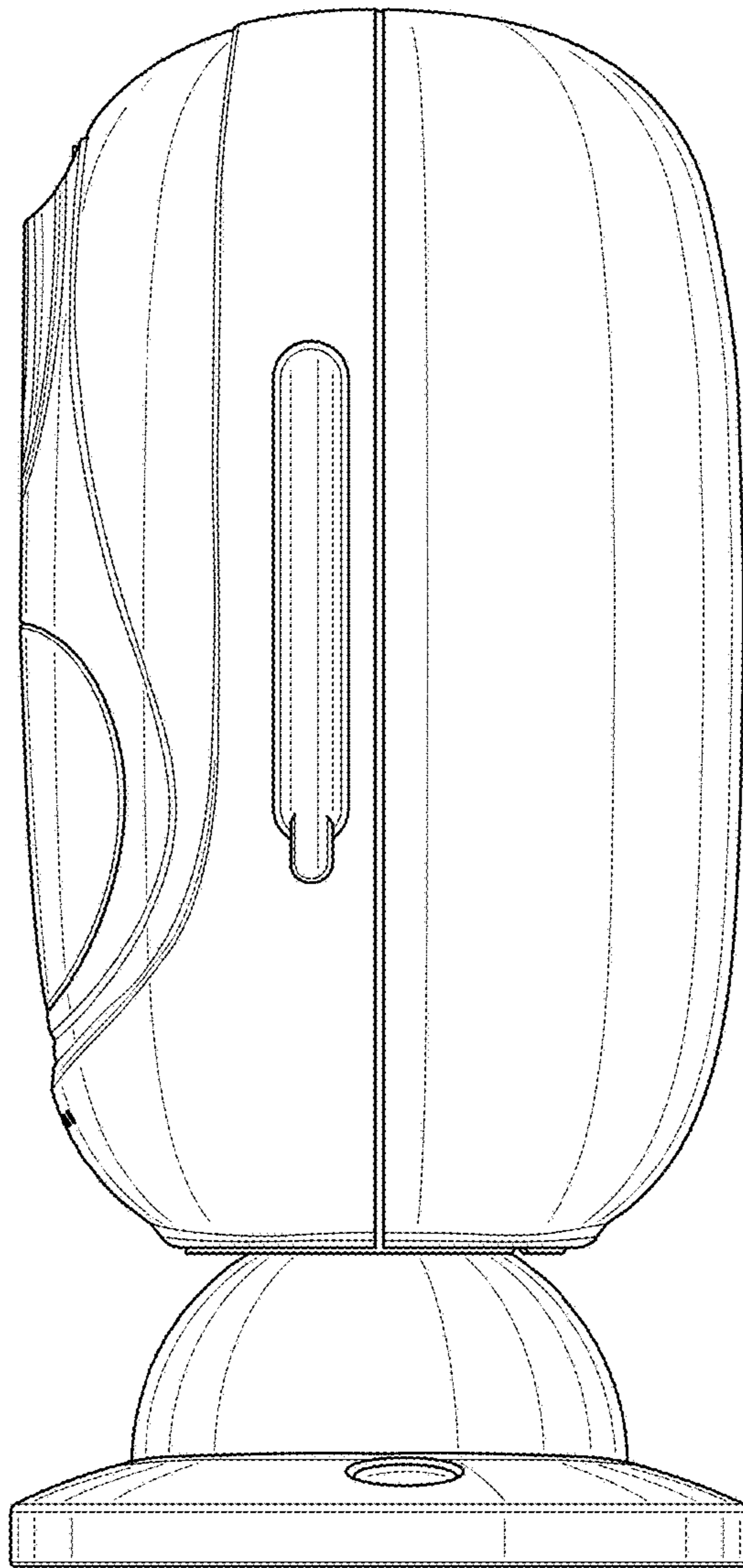


FIG. 5

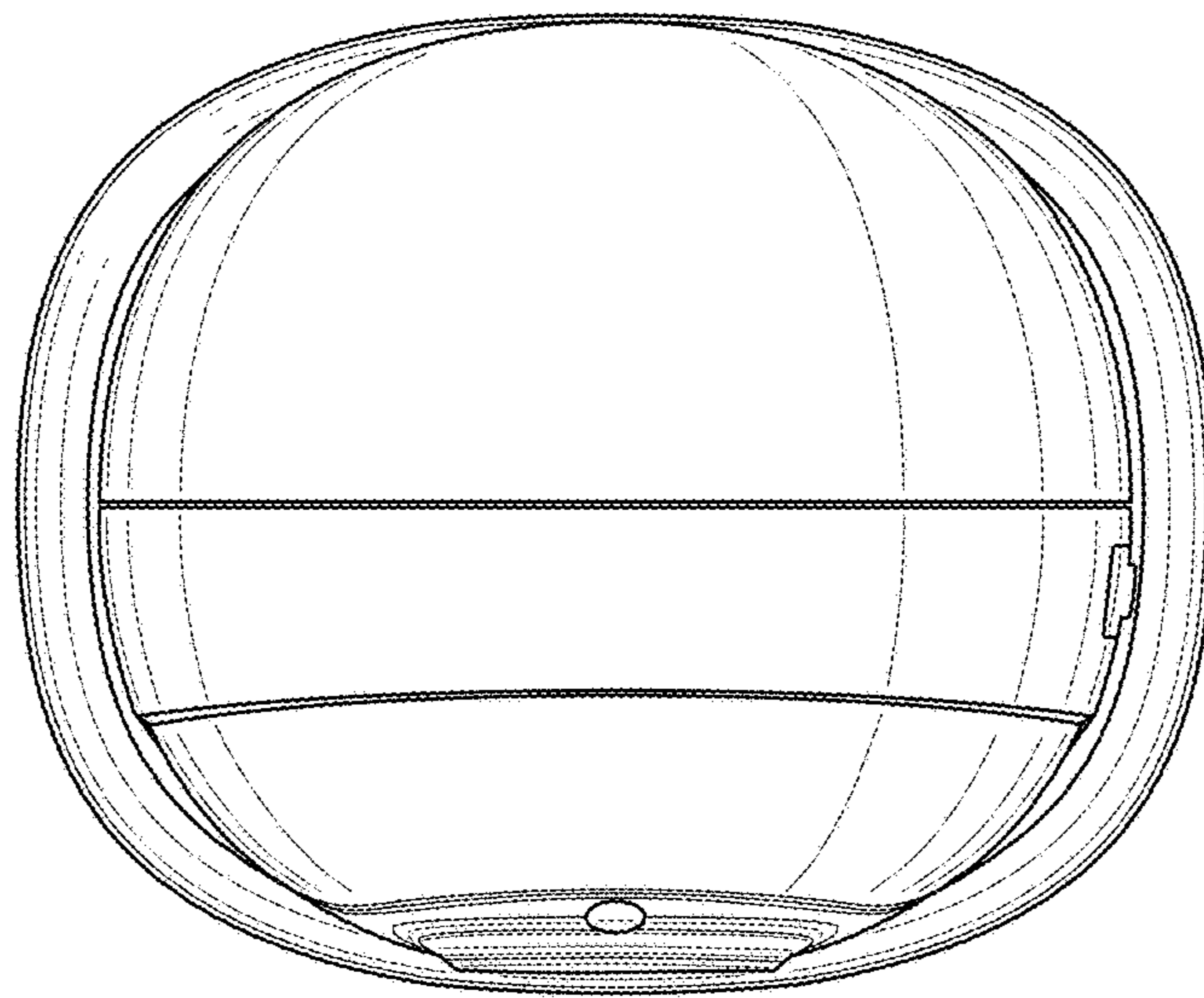


FIG. 6

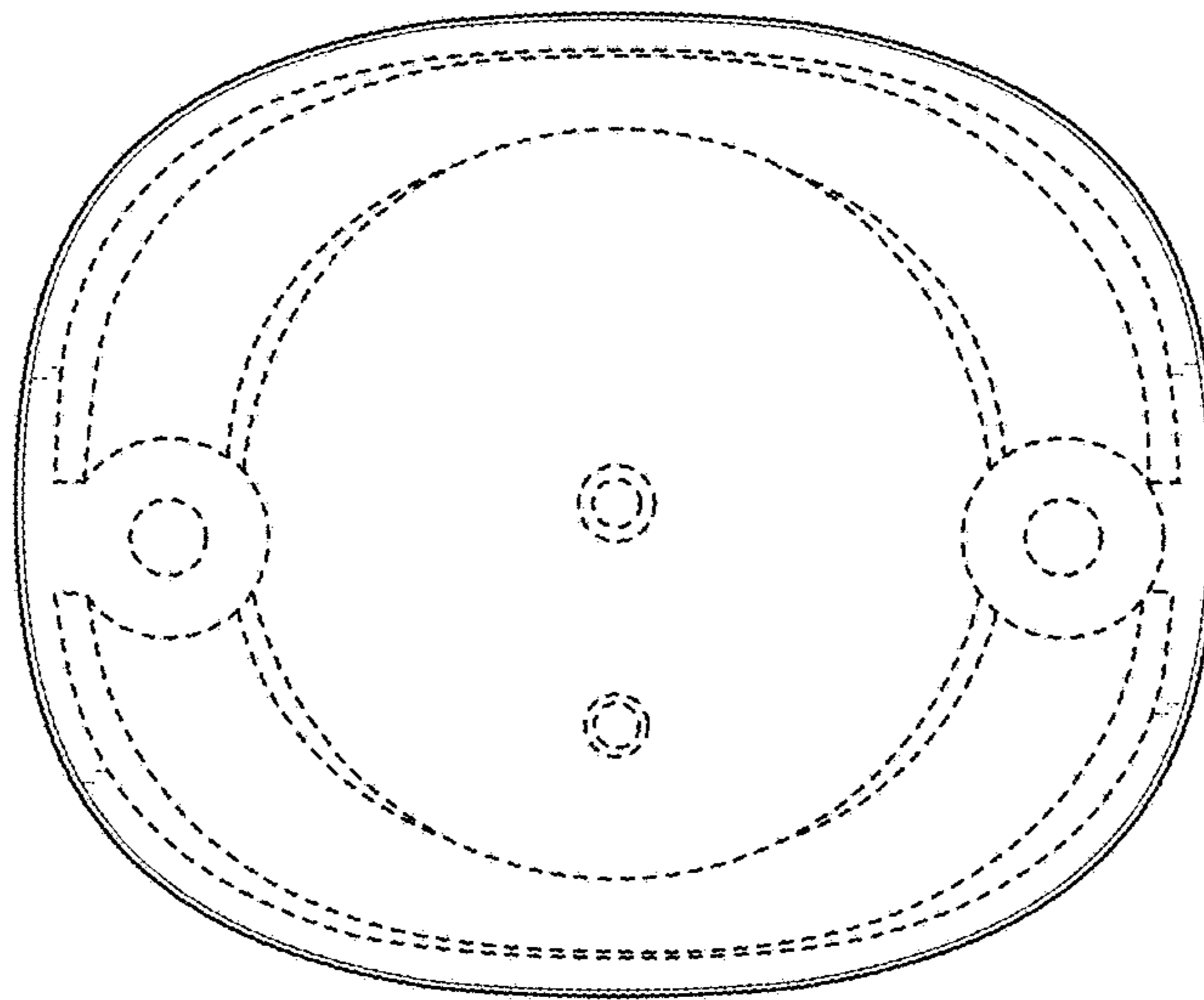


FIG. 7