



US00D849076S

(12) **United States Design Patent**
Bertram

(10) **Patent No.:** **US D849,076 S**

(45) **Date of Patent:** **** May 21, 2019**

(54) **DIGITAL CAMERA**

(71) Applicant: **Wireless CCTV Limited**, Rochdale (GB)

(72) Inventor: **Mathias Bertram**, Magdeburg (DE)

(73) Assignee: **Wireless CCTV Limited**, Rochdale (GB)

(**) Term: **15 Years**

(21) Appl. No.: **29/547,922**

(22) Filed: **Dec. 9, 2015**

(30) **Foreign Application Priority Data**

Jun. 9, 2015 (EM) 002715714-0001

(51) **LOC (11) Cl.** **16-01**

(52) **U.S. Cl.**
USPC **D16/202**

(58) **Field of Classification Search**
USPC D16/134, 136, 200, 202–206, 208, 218,
D16/219, 237, 242; D14/203.3, 203.4,
D14/250, 345, 440, 449; 348/373–376;
396/535, 539–541

CPC G03B 15/03; G03B 17/02; G03B 17/04;
G03B 17/56; G03B 19/04; H04N 5/2251;
H04N 5/2252; H04N 5/2253; H04N
5/2254; H04N 2101/00

See application file for complete search history.

(56) **References Cited**

U.S. PATENT DOCUMENTS

D380,001 S * 6/1997 van de Loo D16/202
D401,952 S * 12/1998 Takizawa D16/202

D402,676 S * 12/1998 Mascarenas, Sr. D16/202
D406,158 S * 2/1999 Akiyama D16/202
D410,663 S * 6/1999 Ogasawara D16/202
D410,664 S * 6/1999 Hibino D16/202
D429,269 S * 8/2000 Renkis D16/202
D508,933 S * 8/2005 Kaneda D16/203
D542,820 S * 5/2007 Depay D16/202
D545,866 S * 7/2007 Eroma D16/208
D648,362 S * 11/2011 Byun D16/204
D794,695 S * 8/2017 Zhang D16/218
D806,774 S * 1/2018 Ahman D16/203

* cited by examiner

Primary Examiner — Ramzi S Almatrahi

(74) *Attorney, Agent, or Firm* — Howard & Howard
Attorneys PLLC

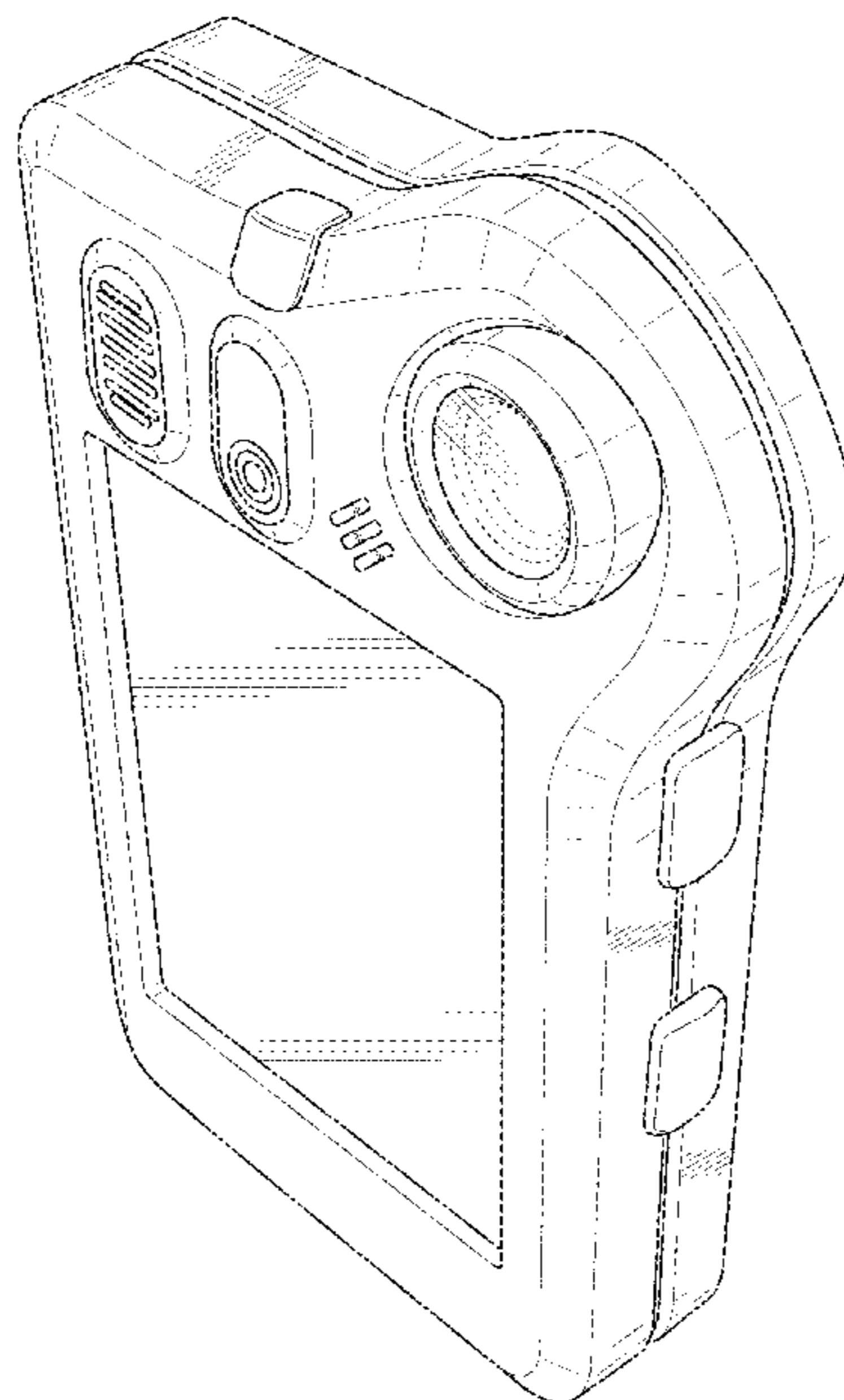
(57) **CLAIM**

The ornamental design for a digital camera, as shown and described.

DESCRIPTION

FIG. 1 is a perspective view of a digital camera;
FIG. 2 is a front elevational view of the digital camera of FIG. 1;
FIG. 3 is rear elevational view of the digital camera of FIG. 1;
FIG. 4 is a left side elevational view of the digital camera of FIG. 1;
FIG. 5 is a right side elevational view of the digital camera of FIG. 1;
FIG. 6 is top plan view of the digital camera of FIG. 1; and,
FIG. 7 is a bottom plan view of the digital camera of FIG. 1.

1 Claim, 7 Drawing Sheets



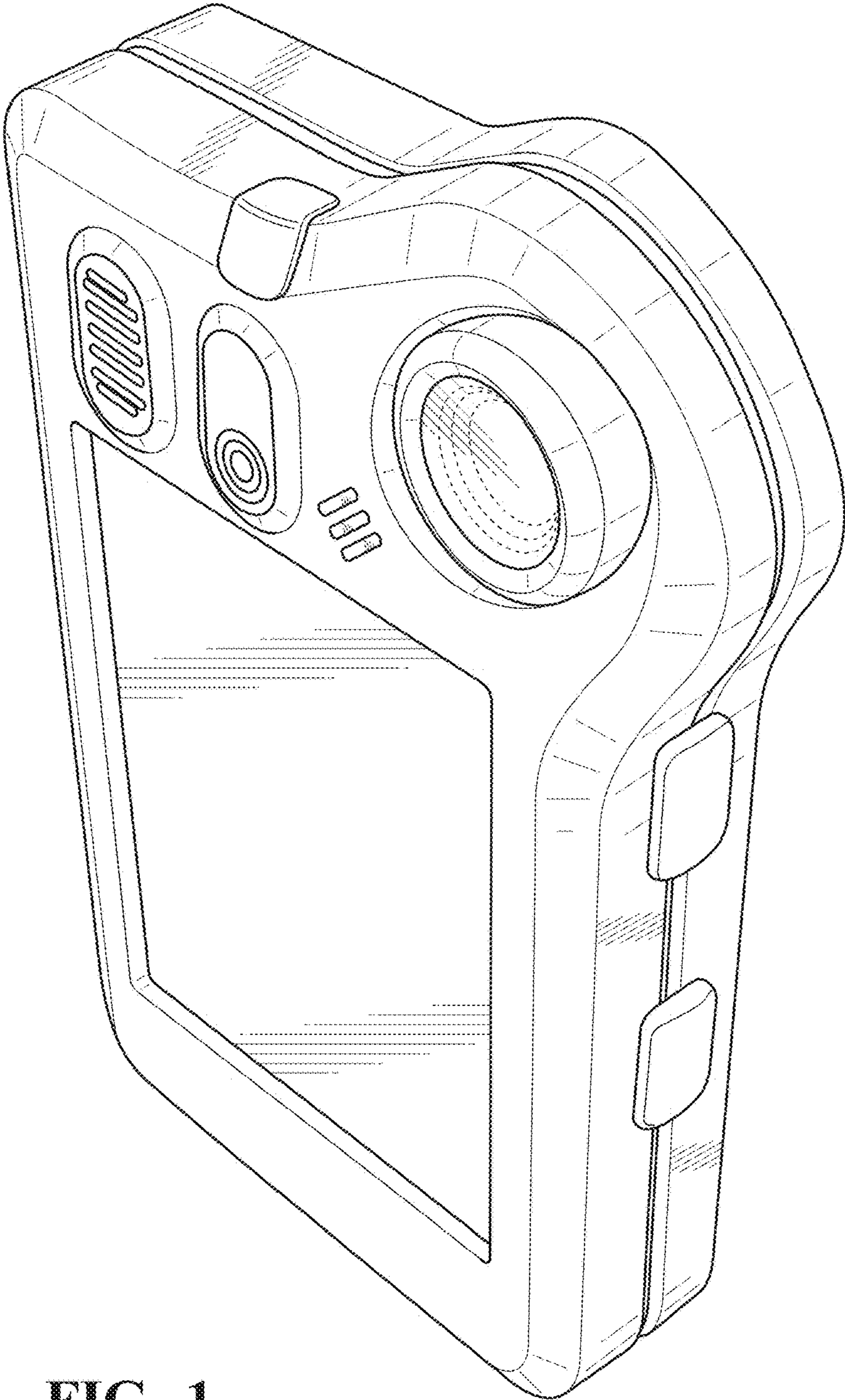


FIG. 1

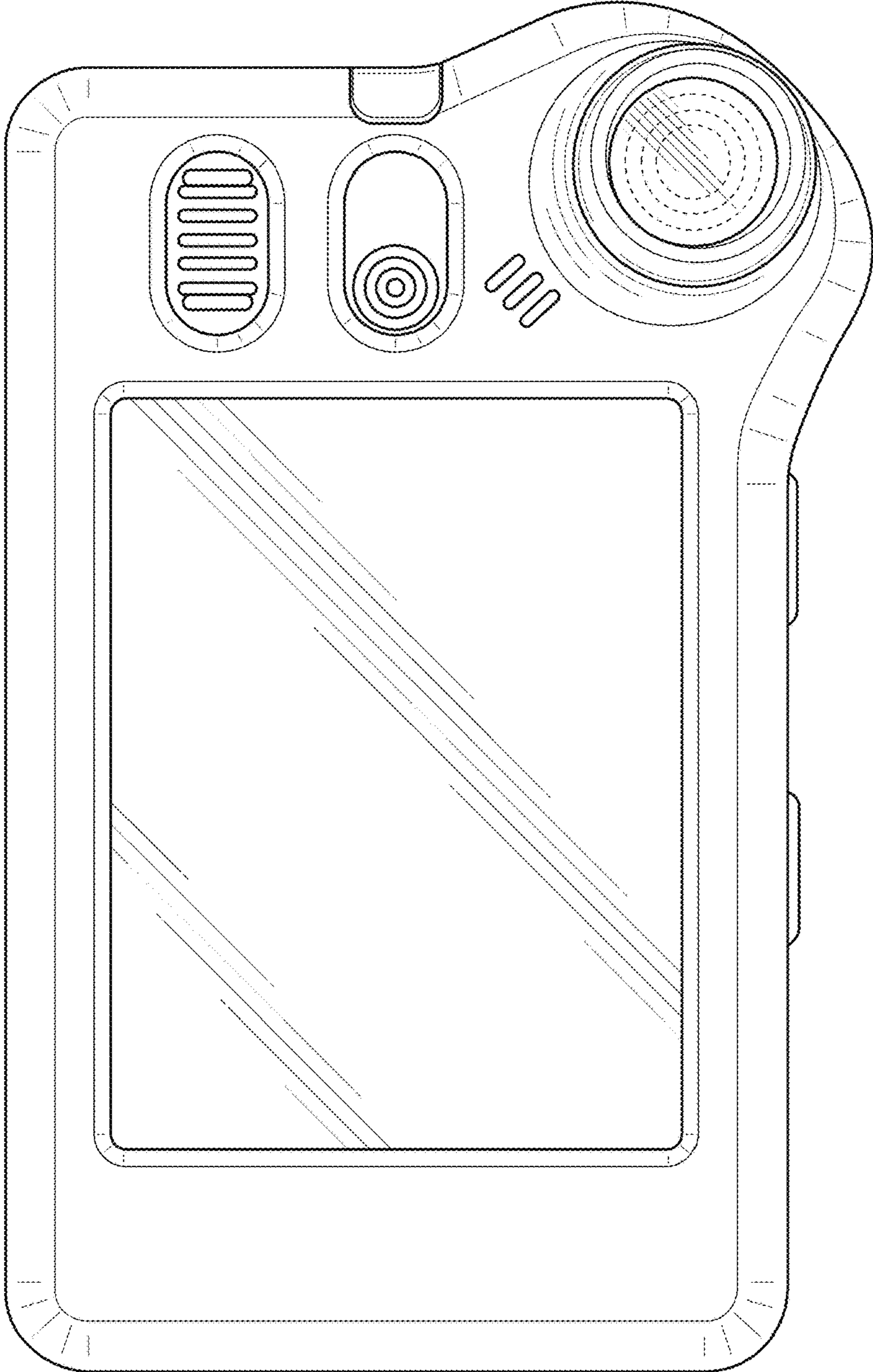


FIG. 2

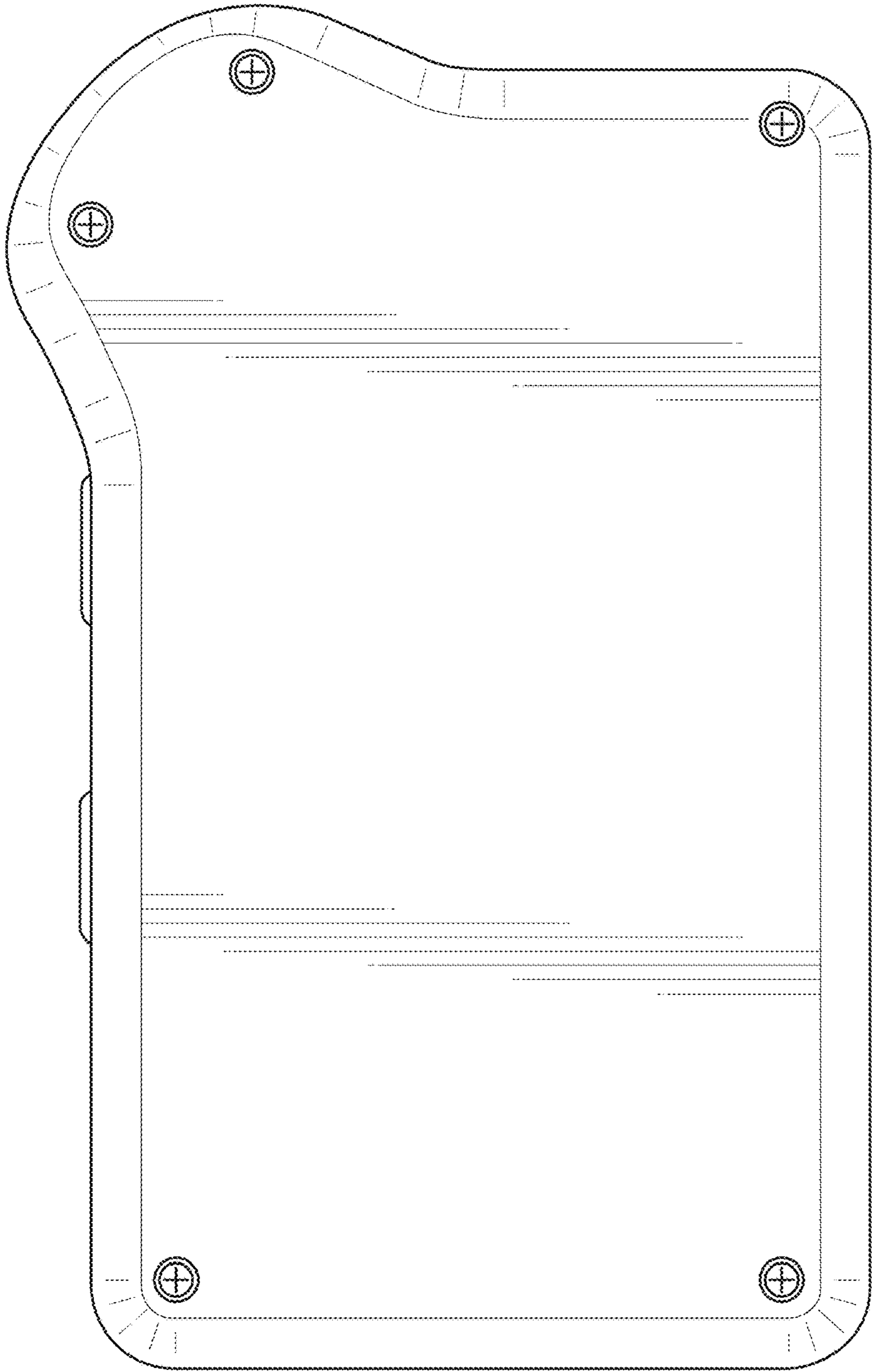


FIG. 3

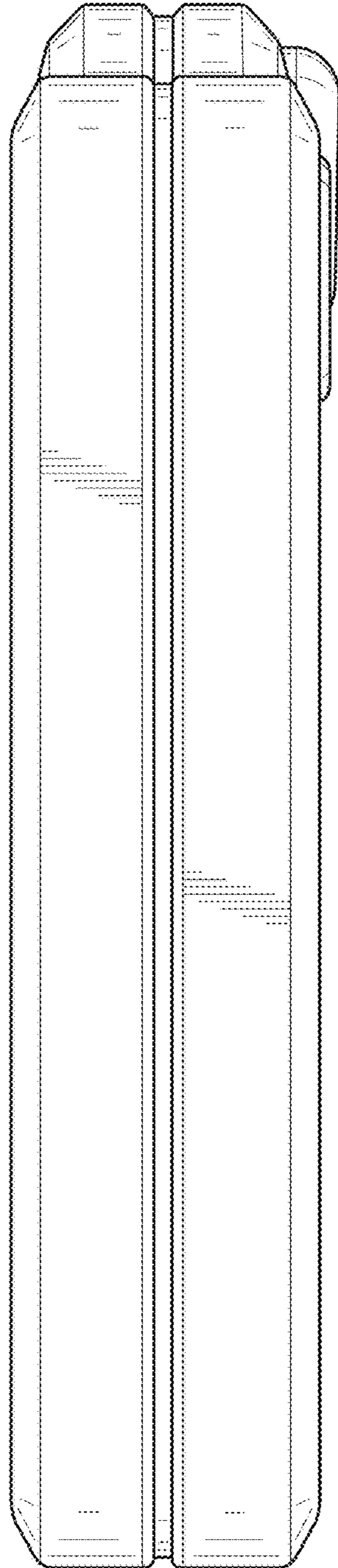


FIG. 4

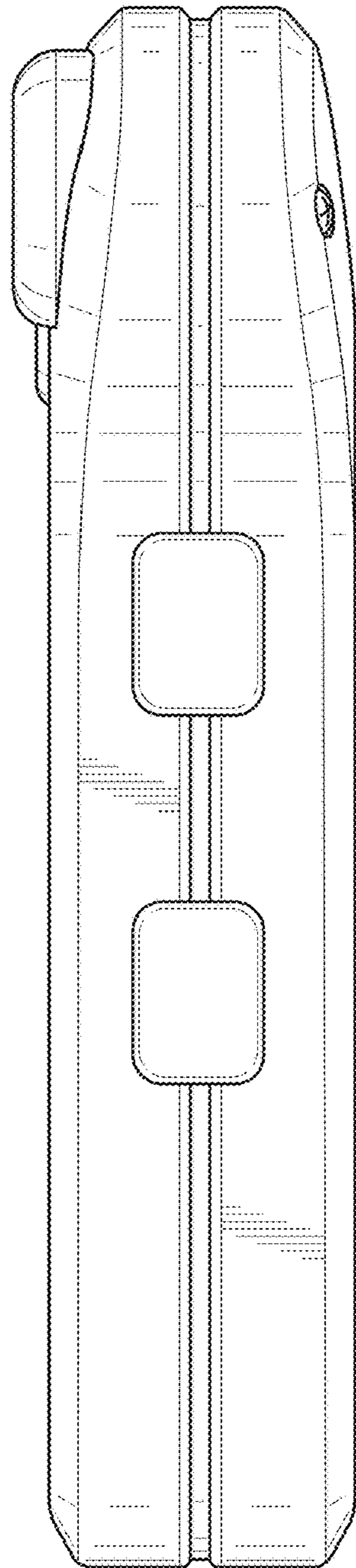


FIG. 5

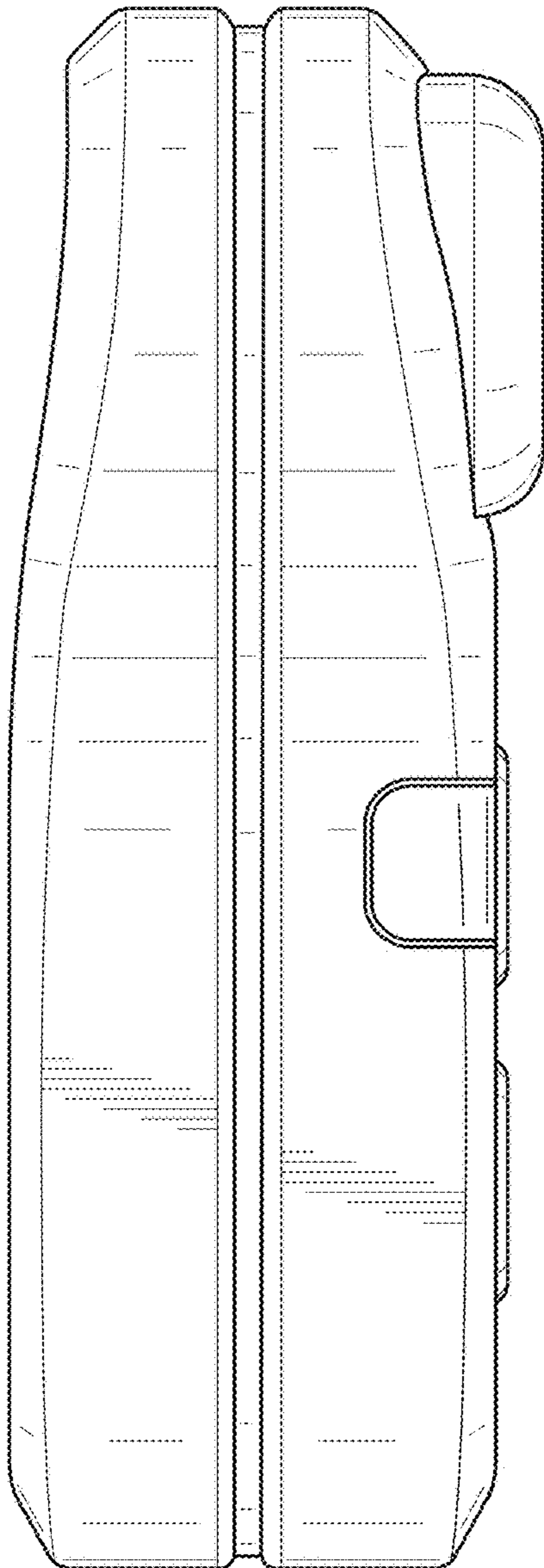


FIG. 6

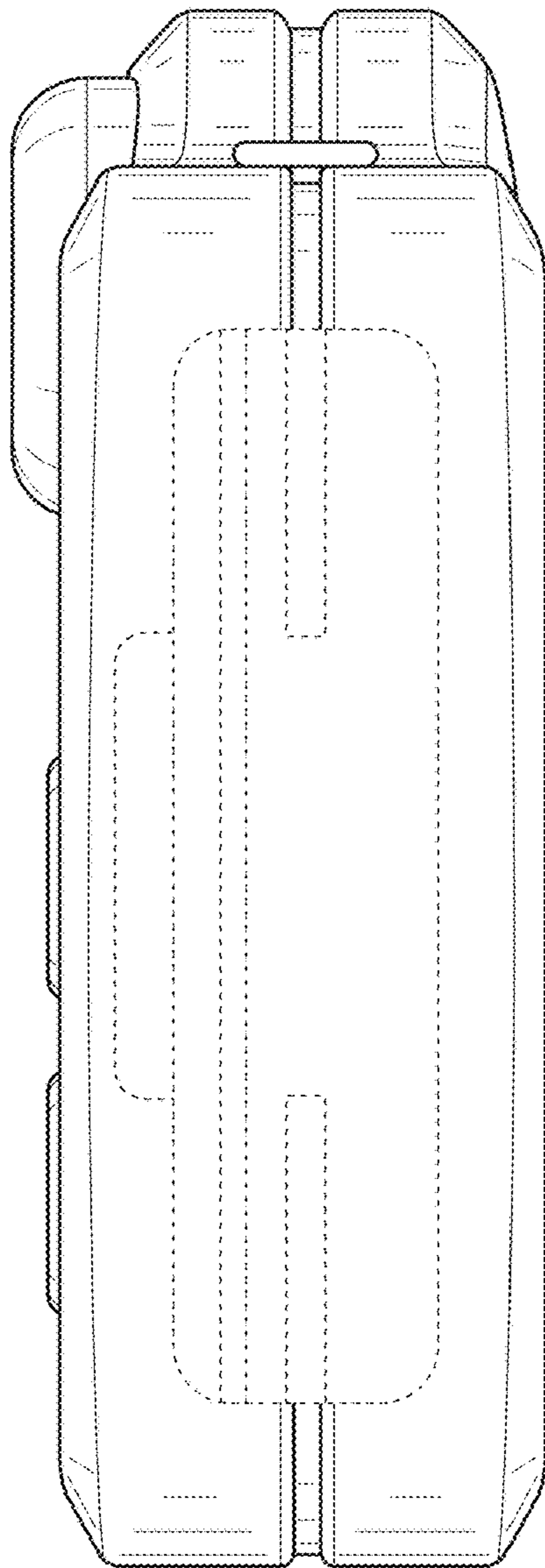


FIG. 7