



US00D849075S

(12) **United States Design Patent**
Heath et al.

(10) **Patent No.:** **US D849,075 S**

(45) **Date of Patent:** **** May 21, 2019**

(54) **DIGITAL VIDEO CAMERA**

(71) Applicant: **TomTom International B.V.**,
Amsterdam (NL)

(72) Inventors: **Jonathan Heath**, Barnet (GB); **Martin Riddiford**, London (GB)

(73) Assignee: **TOMTOM INTERNATIONAL B.V.**,
Amsterdam (NL)

(**) Term: **15 Years**

(21) Appl. No.: **29/543,949**

(22) Filed: **Oct. 29, 2015**

(30) **Foreign Application Priority Data**

Apr. 29, 2015 (EM) 002692343

(51) **LOC (11) Cl.** **16-01**

(52) **U.S. Cl.**
USPC **D16/202**

(58) **Field of Classification Search**
USPC D16/200, 202–208, 210, 218, 219;
348/143, 148, 151, 373–376; 396/419,
396/427, 535–541

CPC G03B 15/03; G03B 17/02; G03B 17/04;
G03B 17/56; G03B 19/04; H04N 5/2251;
H04N 5/2252; H04N 5/2253; H04N
5/2254; H04N 2101/00

See application file for complete search history.

(56) **References Cited**

U.S. PATENT DOCUMENTS

6,637,952 B2 * 10/2003 Arbuckle G03B 17/02
348/143
6,683,654 B1 * 1/2004 Haijima H04N 5/2252
348/335

7,371,021 B2 * 5/2008 Ross, Jr. F41G 1/467
348/E5.026
D614,221 S * 4/2010 Park D16/202
D629,435 S * 12/2010 Barley D16/202
D687,875 S * 8/2013 Sasaki D16/202
D689,110 S * 9/2013 Euihoon D16/202
D694,797 S * 12/2013 Parker D16/202
D696,330 S * 12/2013 Matsumoto D16/203
D698,381 S * 1/2014 Arimoto D16/202
D721,753 S * 1/2015 Park D16/202
D727,390 S * 4/2015 Schmidt D16/218
D739,888 S * 9/2015 Liang D16/203
D741,388 S * 10/2015 Register D16/202
D768,749 S * 10/2016 Koppetz D16/202
2006/0133798 A1 * 6/2006 Palmer G02B 23/12
396/427

* cited by examiner

Primary Examiner — Ramzi S Almatrahi

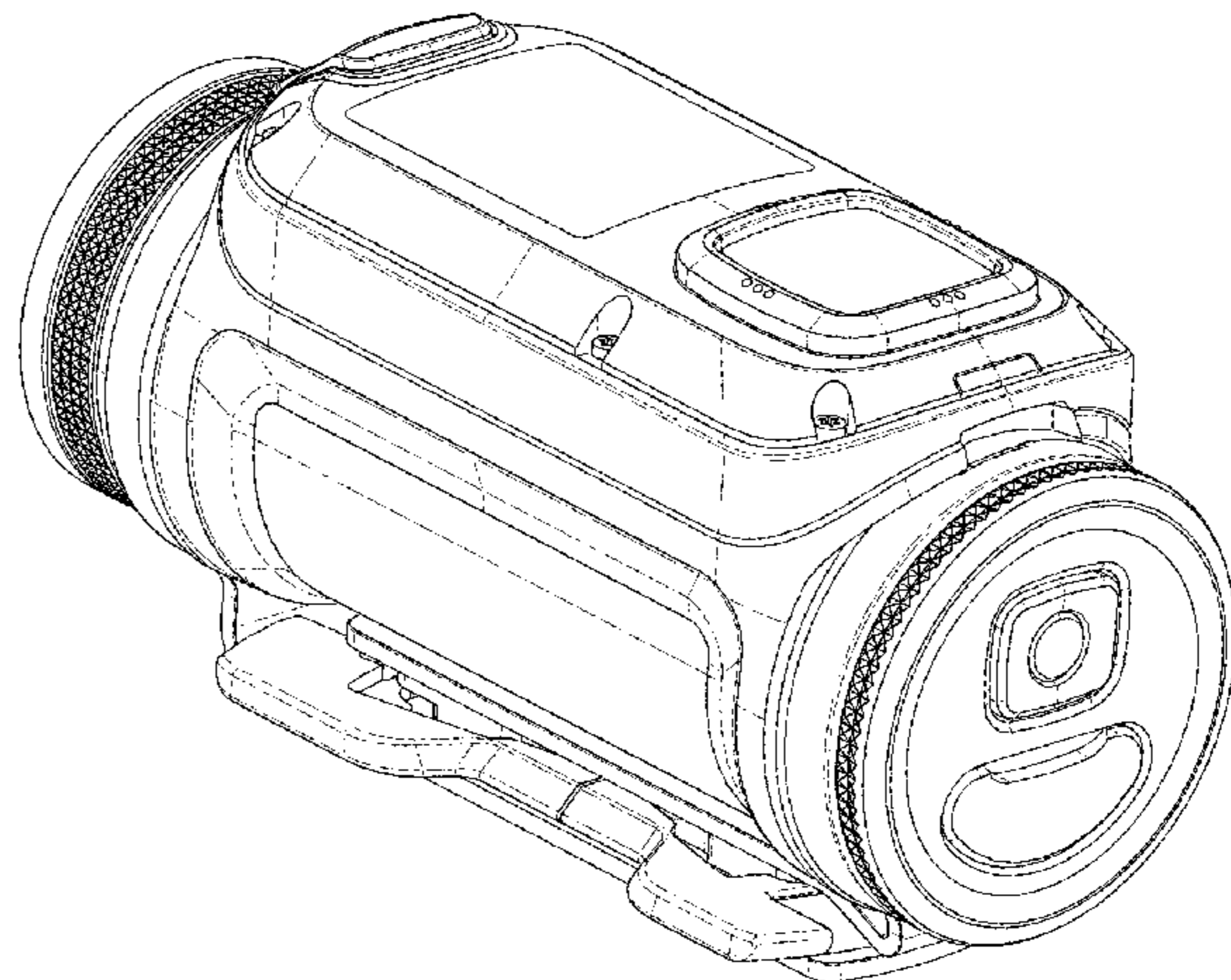
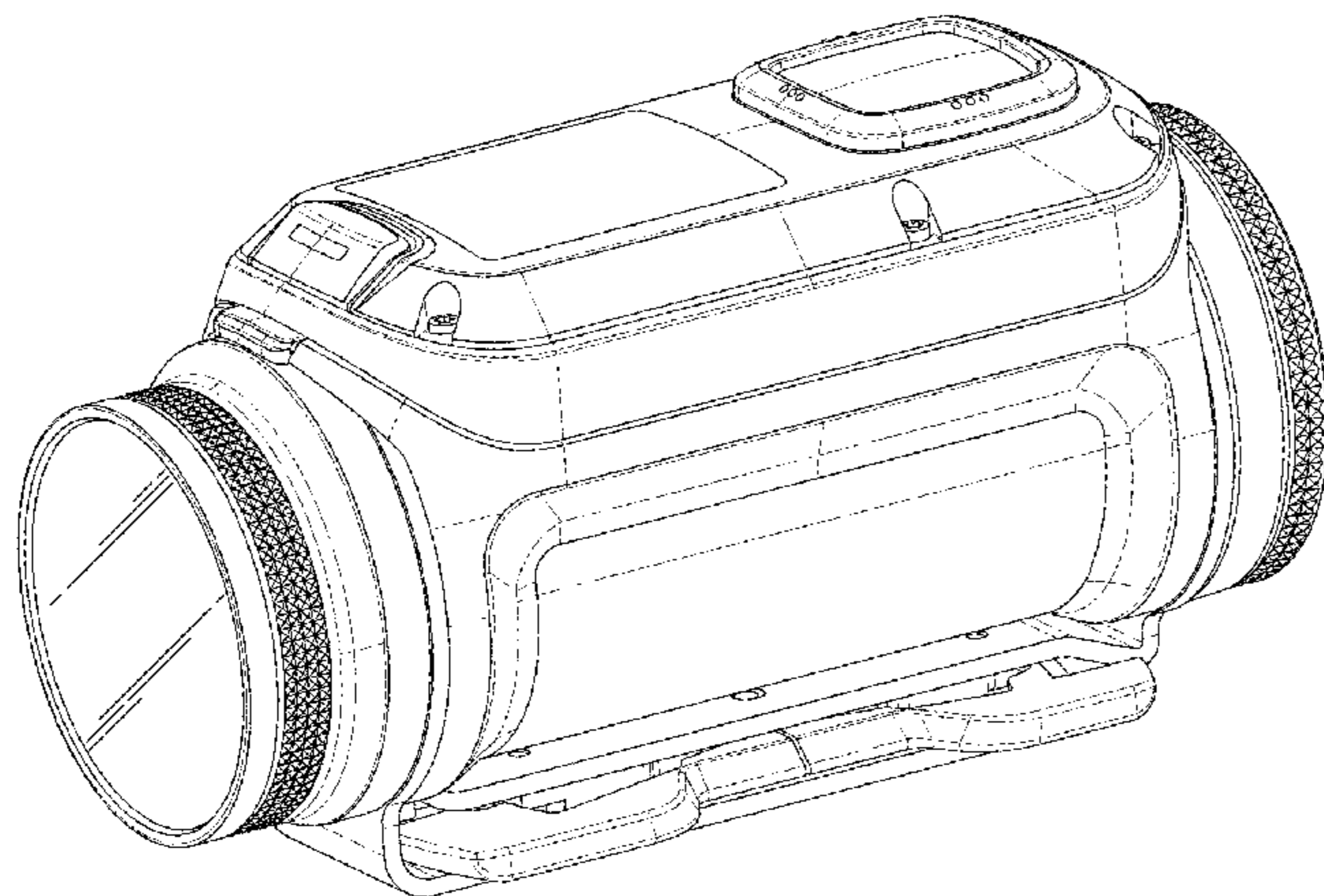
(57) **CLAIM**

The ornamental design for a digital video camera, as shown and described.

DESCRIPTION

FIG. 1 is a front perspective view of a digital video camera; FIG. 2 is a back perspective view thereof; FIG. 3 is a front elevation view thereof; FIG. 4 is a back elevation view thereof; FIG. 5 is a side elevation view thereof; and, FIG. 6 is top plan view thereof.

1 Claim, 4 Drawing Sheets



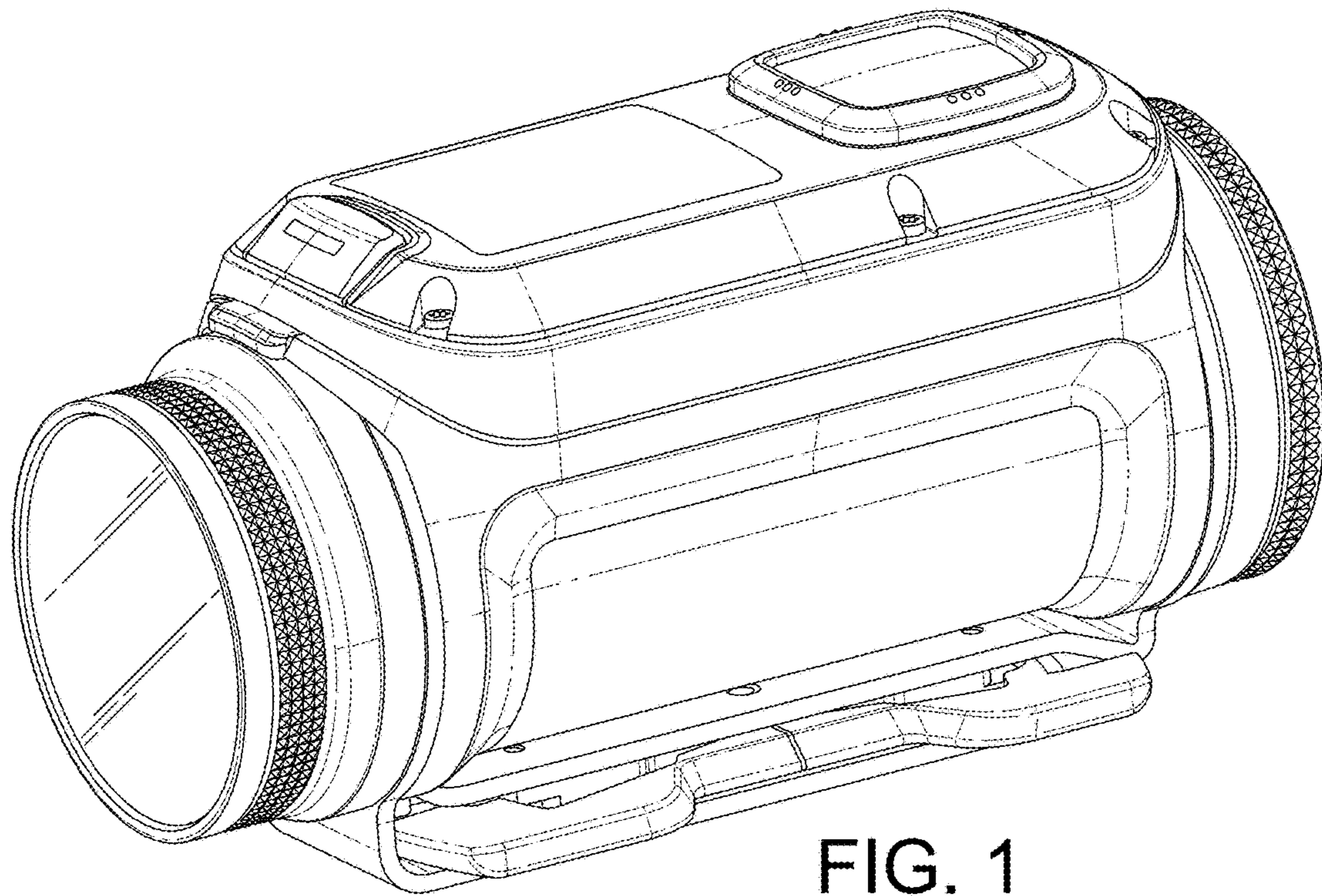


FIG. 1

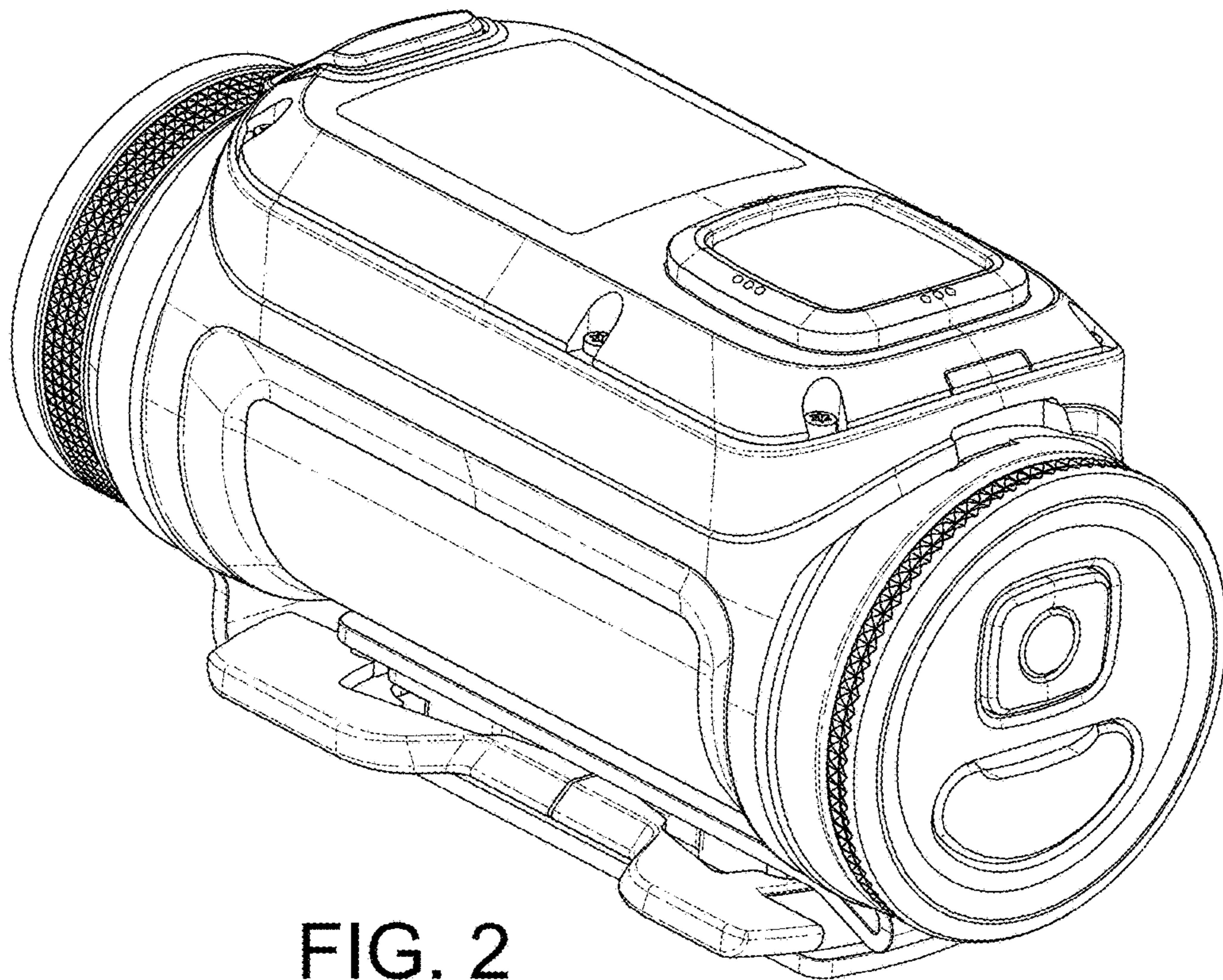


FIG. 2

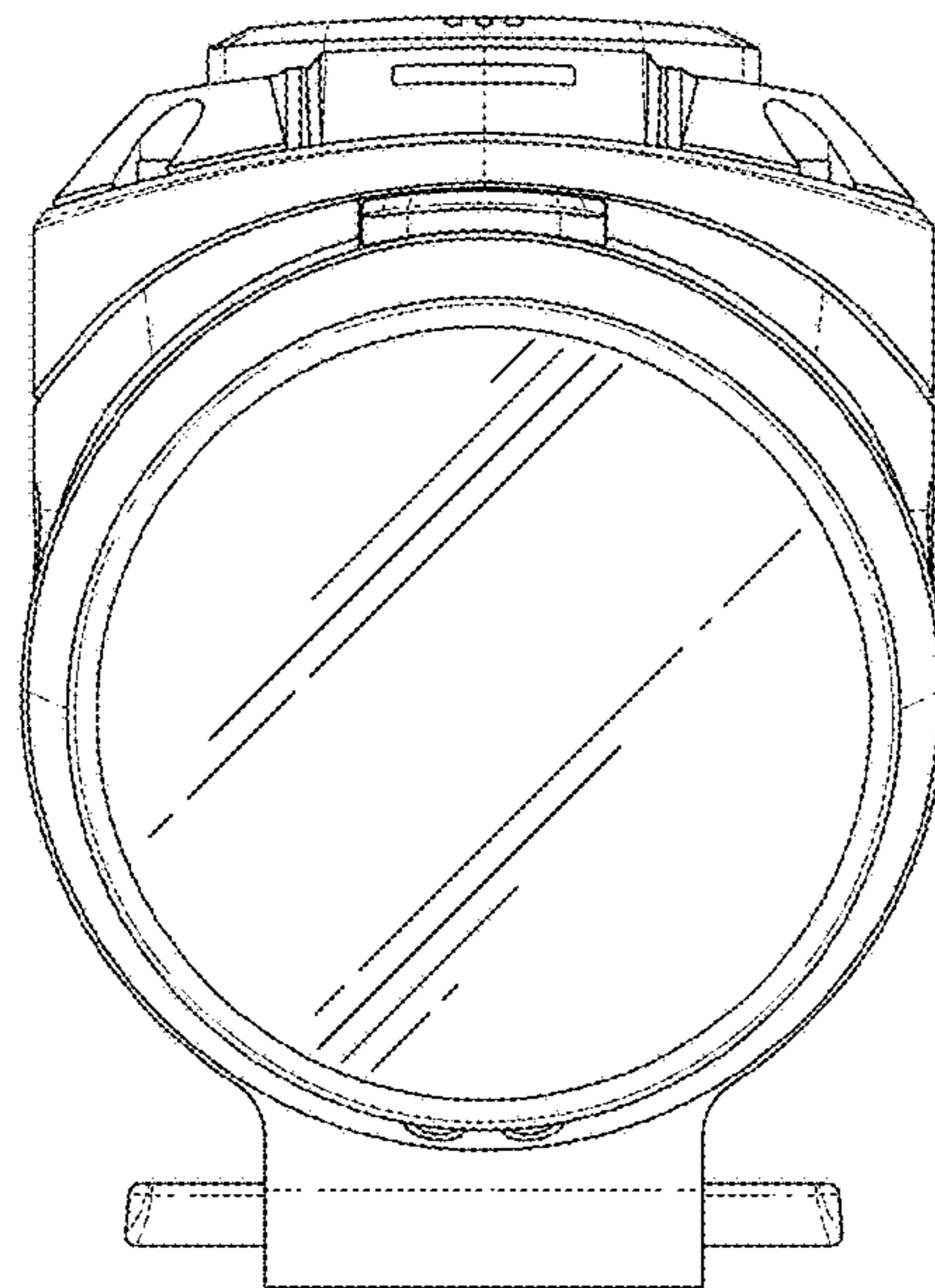


FIG. 3

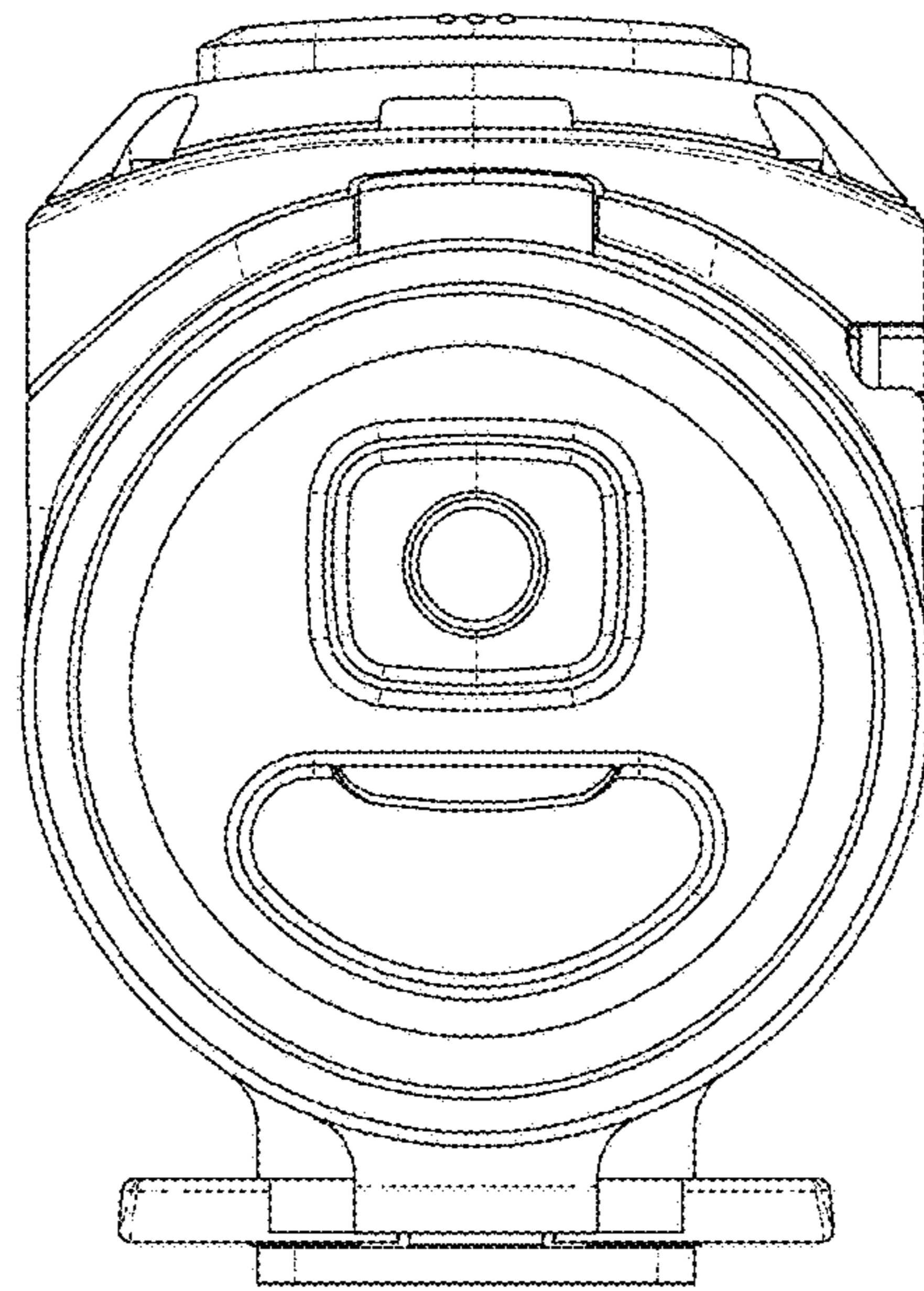


FIG. 4

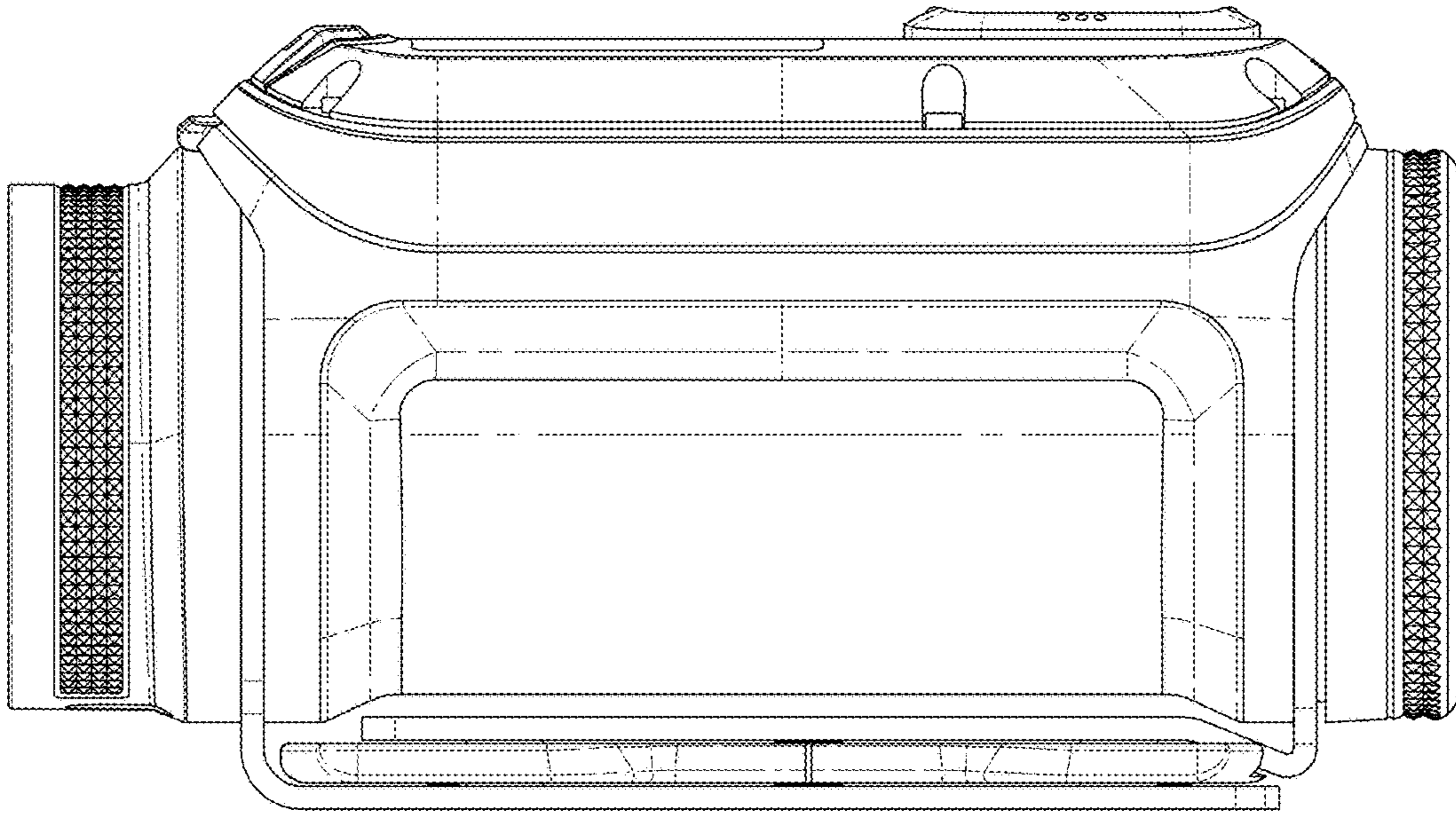


FIG. 5

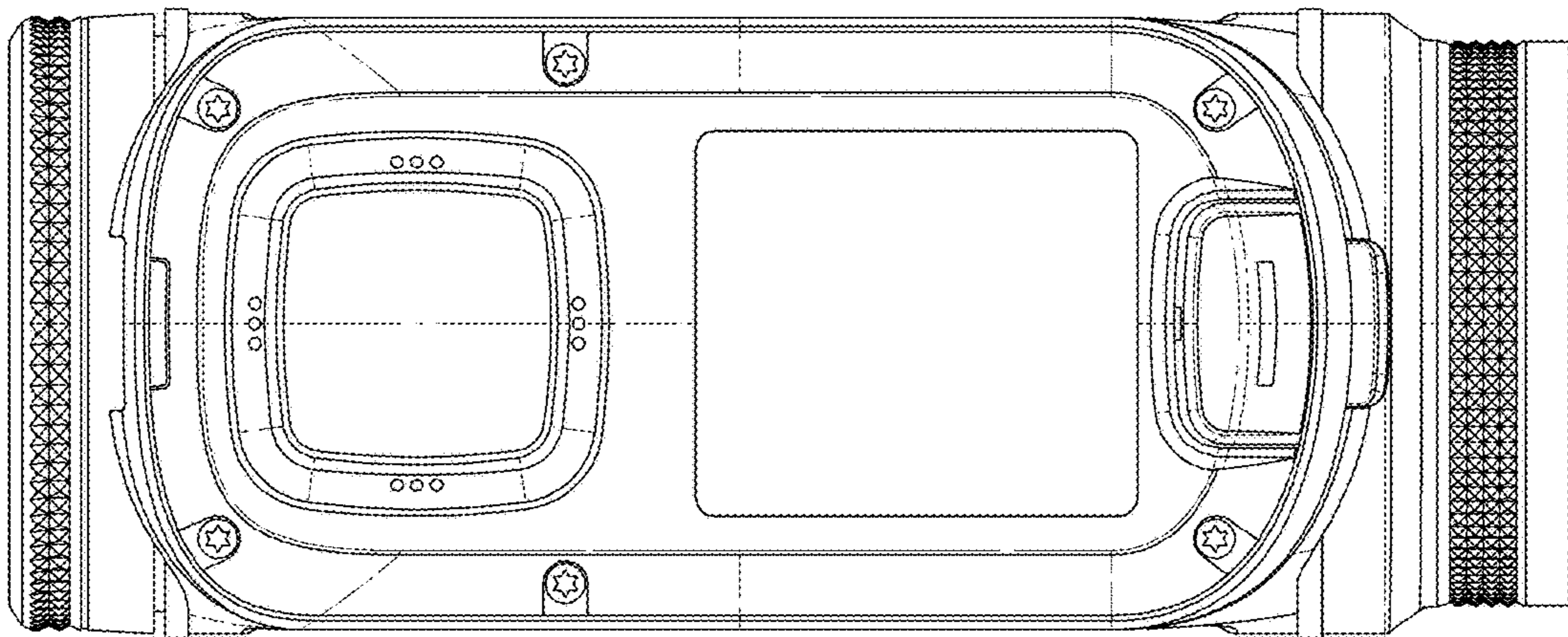


FIG. 6