

US00D849072S

(12) **United States Design Patent** (10) **Patent No.:** **US D849,072 S**
Allbritten et al. (45) **Date of Patent:** **** May 21, 2019**

(54) **BEARING BOX FRAME**
(71) Applicant: **Sundyne, LLC**, Arvada, CO (US)
(72) Inventors: **Brian R. Allbritten**, Arvada, CO (US);
Andrew D. Coleman, Denver, CO (US)
(73) Assignee: **Sundyne, LLC**, Arvada, CO (US)
(**) Term: **15 Years**

D329,441 S * 9/1992 Yee D10/103
D339,595 S * 9/1993 Waskiewicz D15/138
D372,662 S * 8/1996 Atkinson D15/138
8,025,247 B2 * 9/2011 Dallimore B02C 13/1835
241/275
D750,142 S * 2/2016 Suzuki D15/138
D803,283 S * 11/2017 Rashkovsky D15/138
D804,436 S * 12/2017 Tauchi D13/182
D809,030 S * 1/2018 Hoop D15/138

* cited by examiner

(21) Appl. No.: **29/599,645**
(22) Filed: **Apr. 5, 2017**
(51) **LOC (11) Cl.** **15-03**
(52) **U.S. Cl.**
USPC **D15/138**

Primary Examiner — Khawaja Anwar
(74) *Attorney, Agent, or Firm* — Frost Brown Todd LLC

(58) **Field of Classification Search**
USPC D15/5, 7, 9, 28, 138, 139, 199
CPC B29C 45/0001; B29C 2043/3427; B29C
2043/3494; B29C 2045/0006; B29C
2045/0043; B29C 2045/0049; B29C
2045/14803; B29C 2945/76444; B29C
43/24; B29C 45/0005; B29C 45/0025;
B29C 45/006; B29C 45/14311; B29C
45/14778; B29C 45/14811; B29C
45/14819; B29C 45/1657; B29C 45/1671;
B29C 45/1761; B29C 45/2708; B29C
45/40; B29C 45/401; B29C 45/42; B29C
45/84; B29C 47/0004; B29C 47/0021
See application file for complete search history.

(57) **CLAIM**

The ornamental design for a bearing box frame, as shown and described.

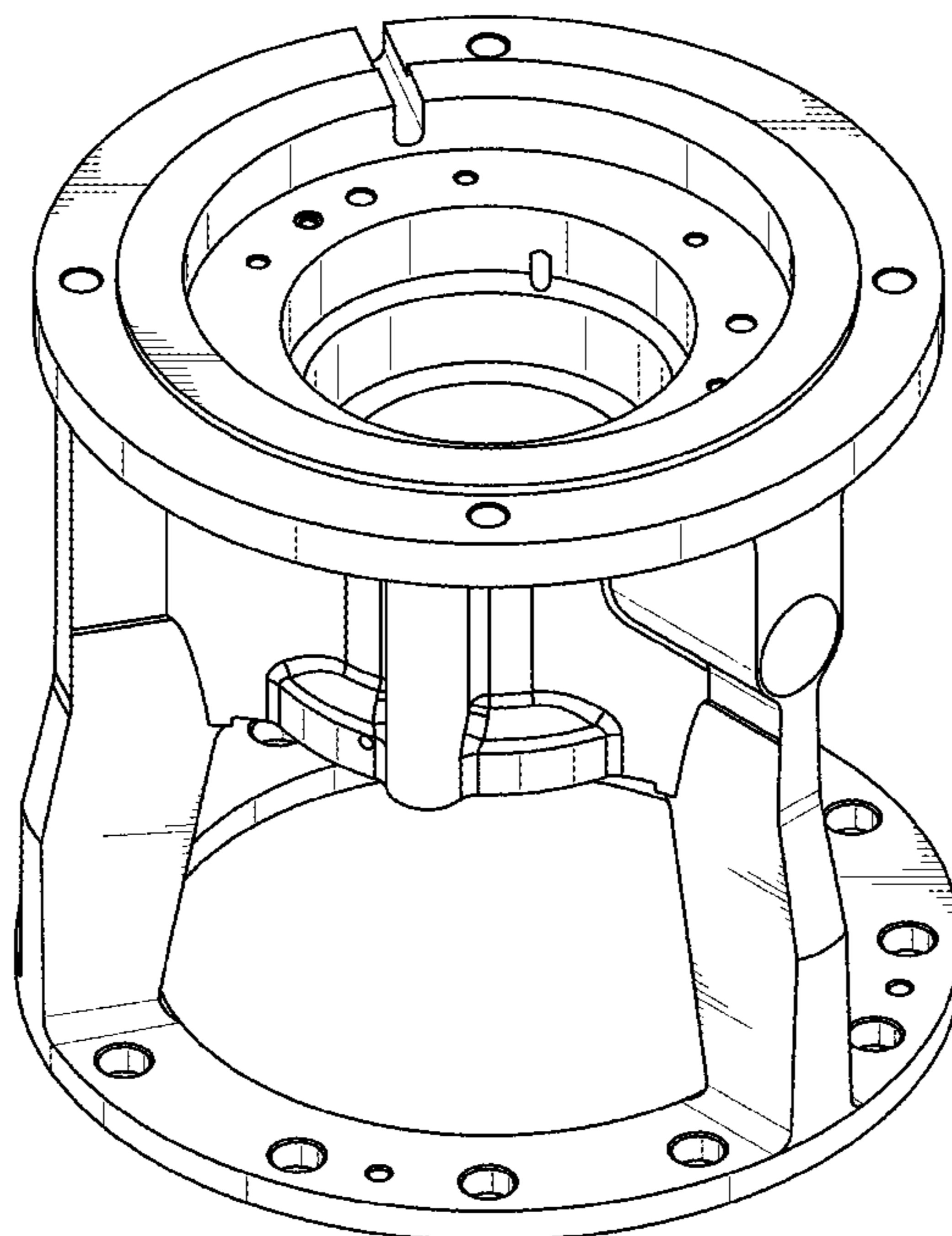
DESCRIPTION

FIG. 1 is a perspective view of a bearing box frame incorporating a three leg support design according to the present invention;
FIG. 2 is a top view of the bearing box frame of FIG. 1;
FIG. 3 is a bottom view of the bearing box frame of FIG. 1;
FIG. 4 is a first side view of the bearing box frame of FIG. 1;
FIG. 5 is an opposing side view of the bearing box frame of FIG. 4;
FIG. 6 is a front view of the bearing box frame of FIG. 1; and,
FIG. 7 is a back view of the bearing box frame of FIG. 1. The portions of the bearing box frame, which are shown in broken lines, are for illustrative purposes only and form no part of the claimed design.

(56) **References Cited**
U.S. PATENT DOCUMENTS

D275,861 S * 10/1984 Barber D15/138
D277,760 S * 2/1985 Wilson D15/138

1 Claim, 7 Drawing Sheets



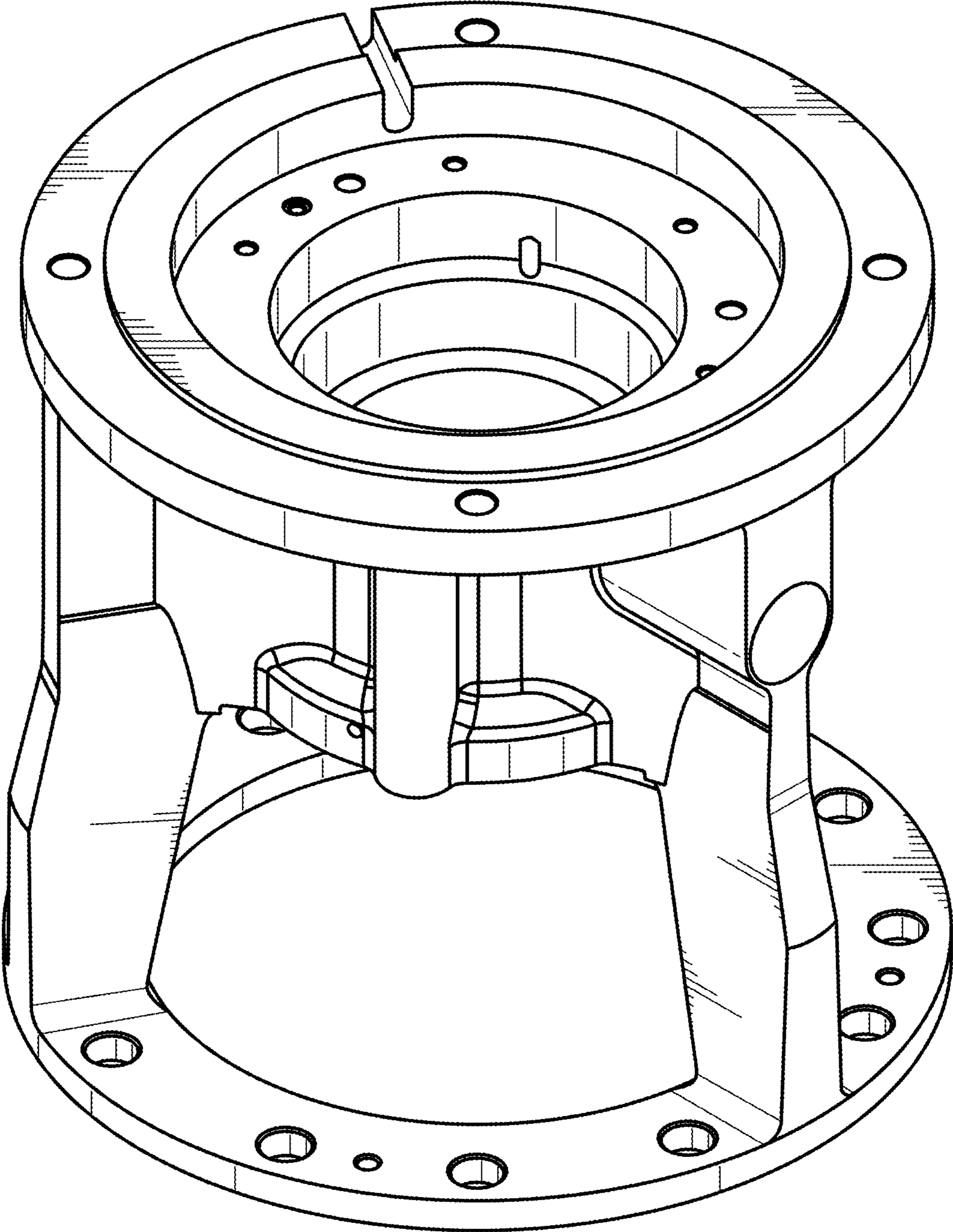


FIG. 1

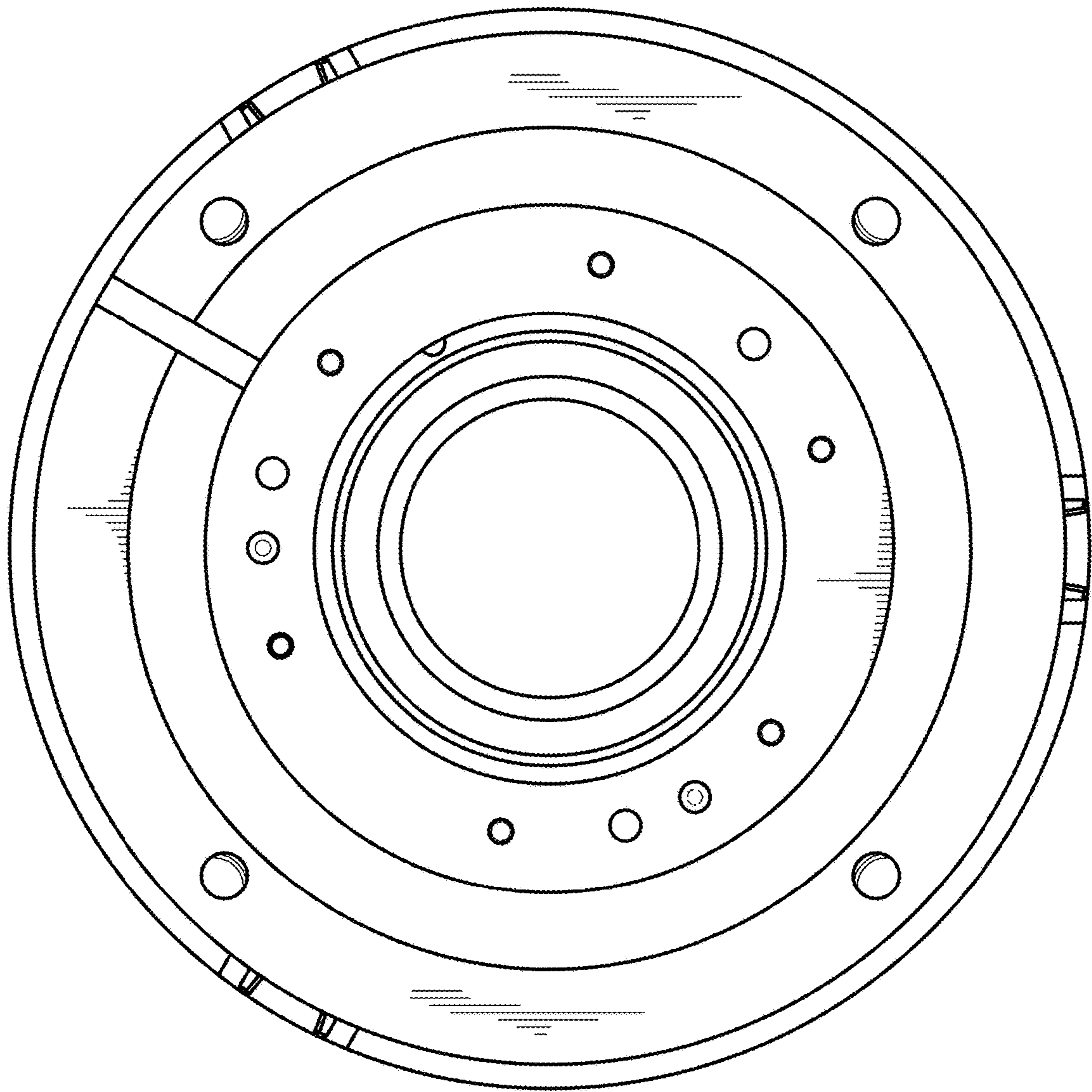


FIG. 2

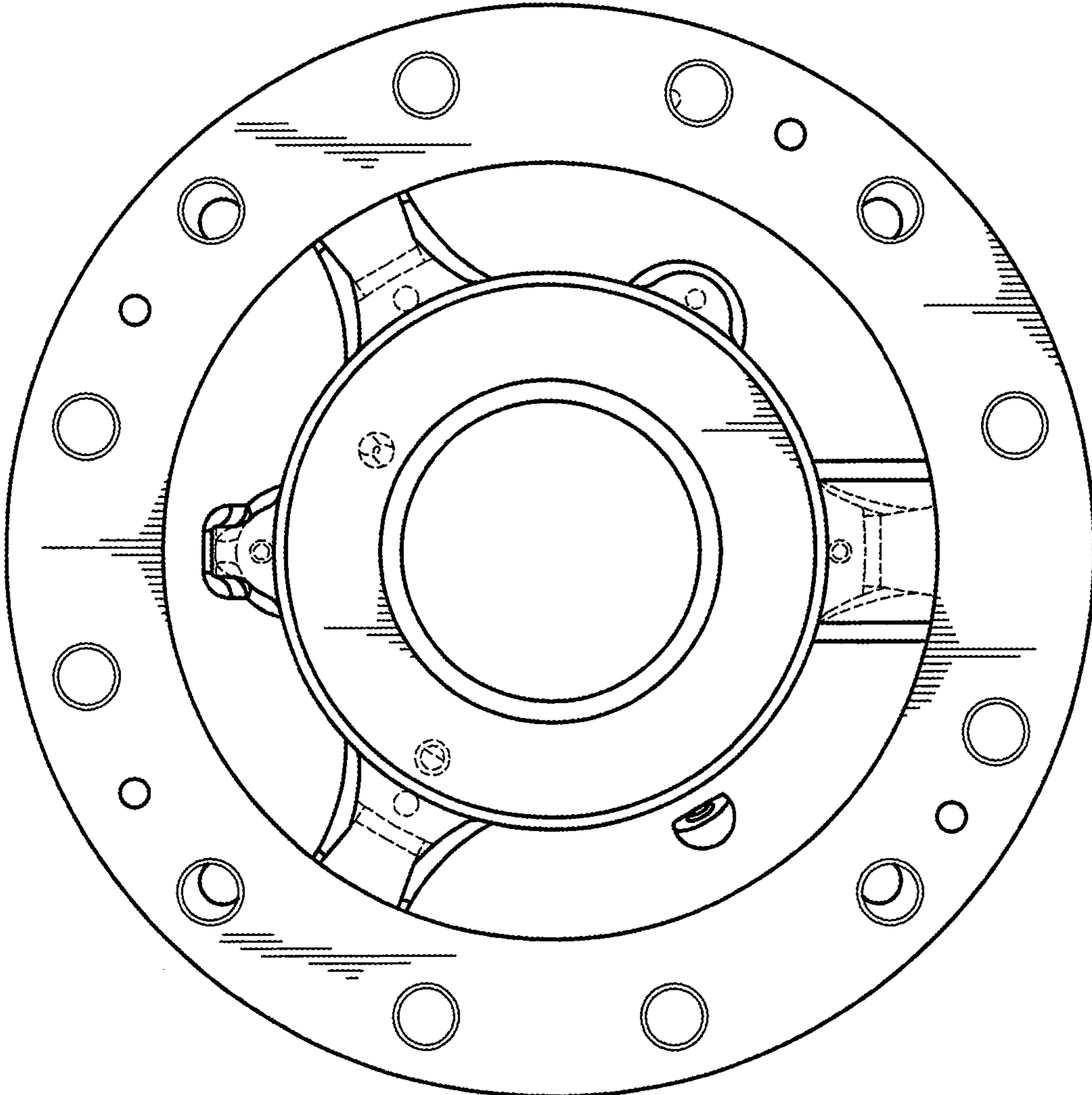


FIG. 3

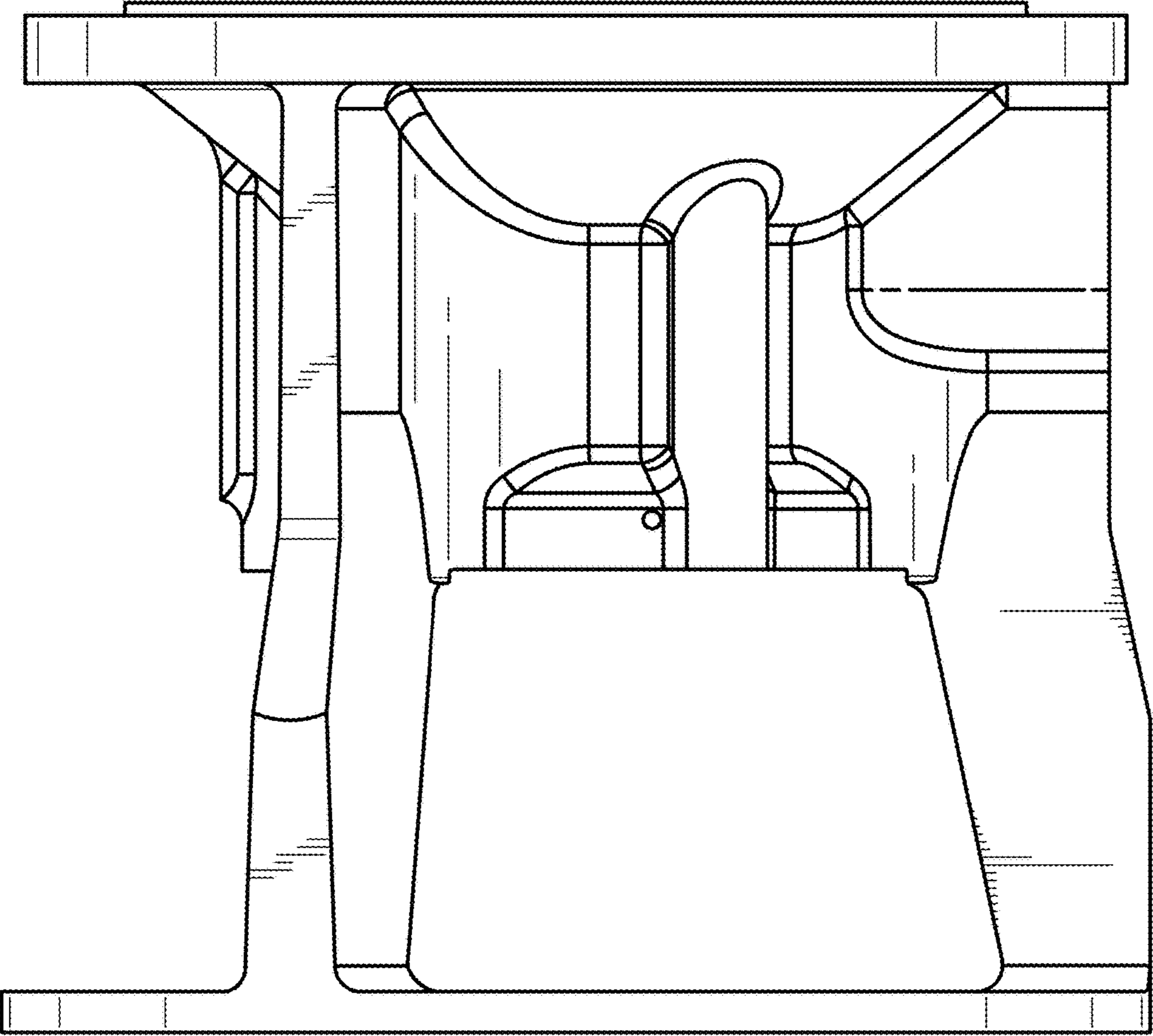


FIG. 4

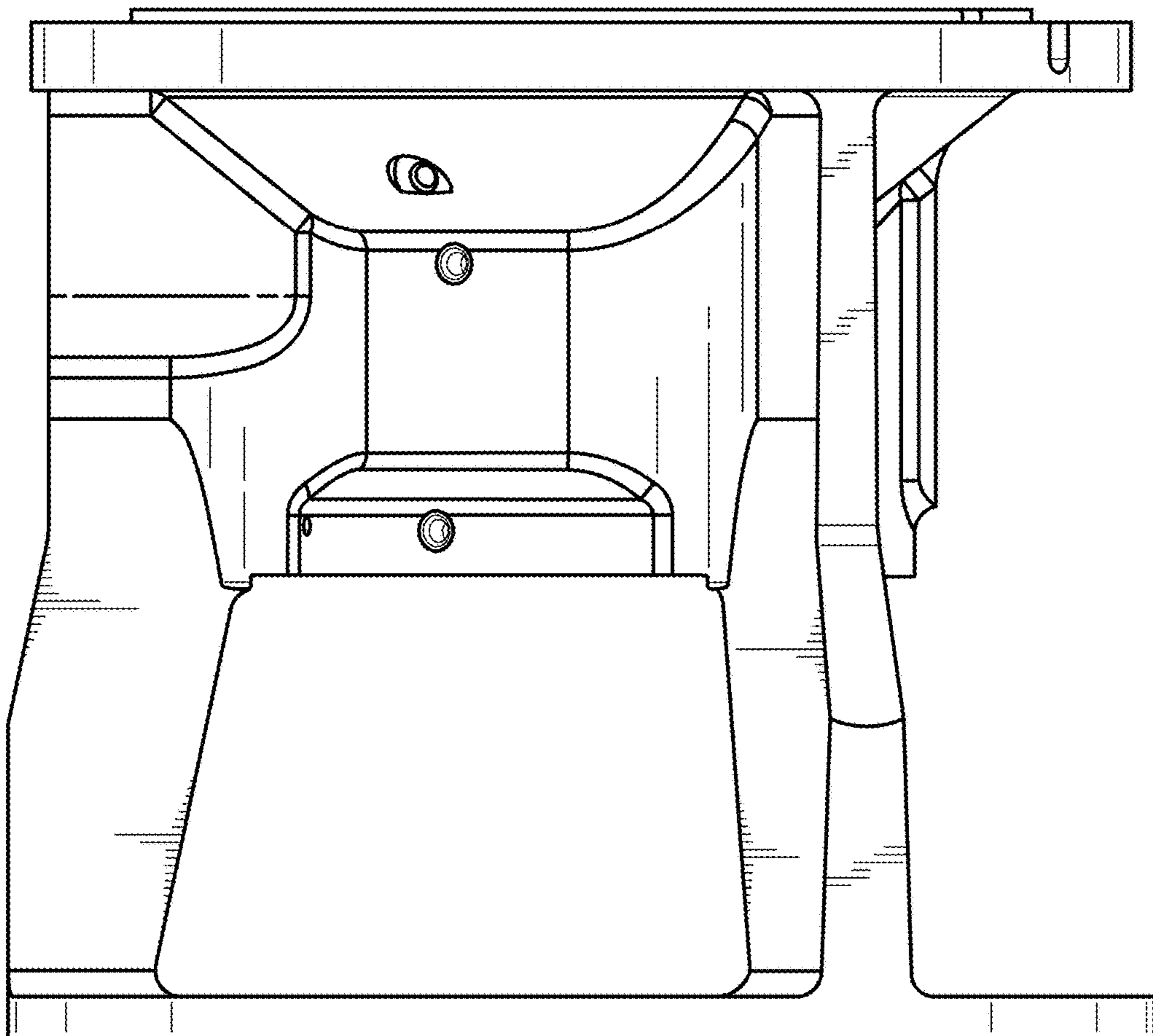


FIG. 5

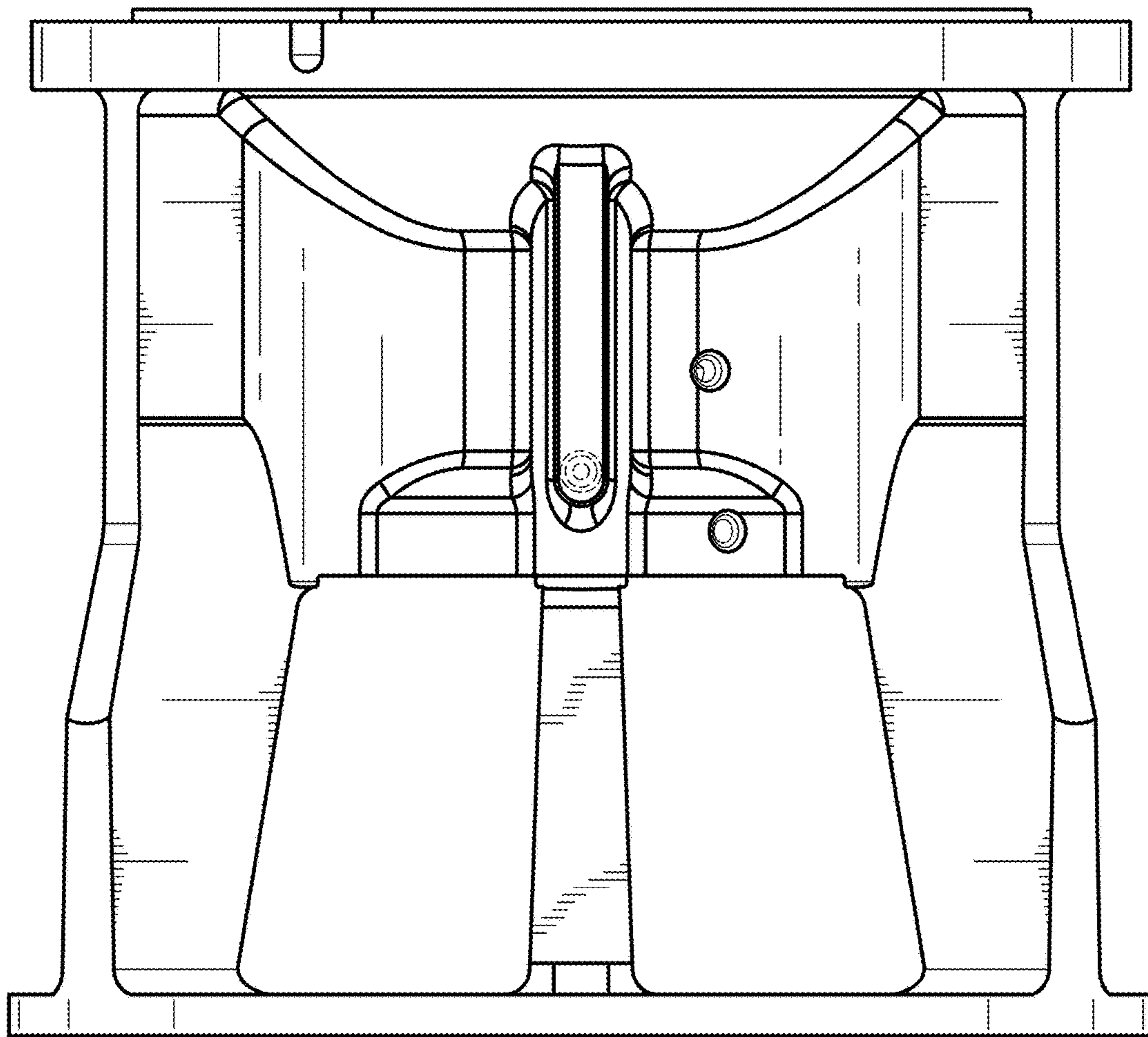


FIG. 6

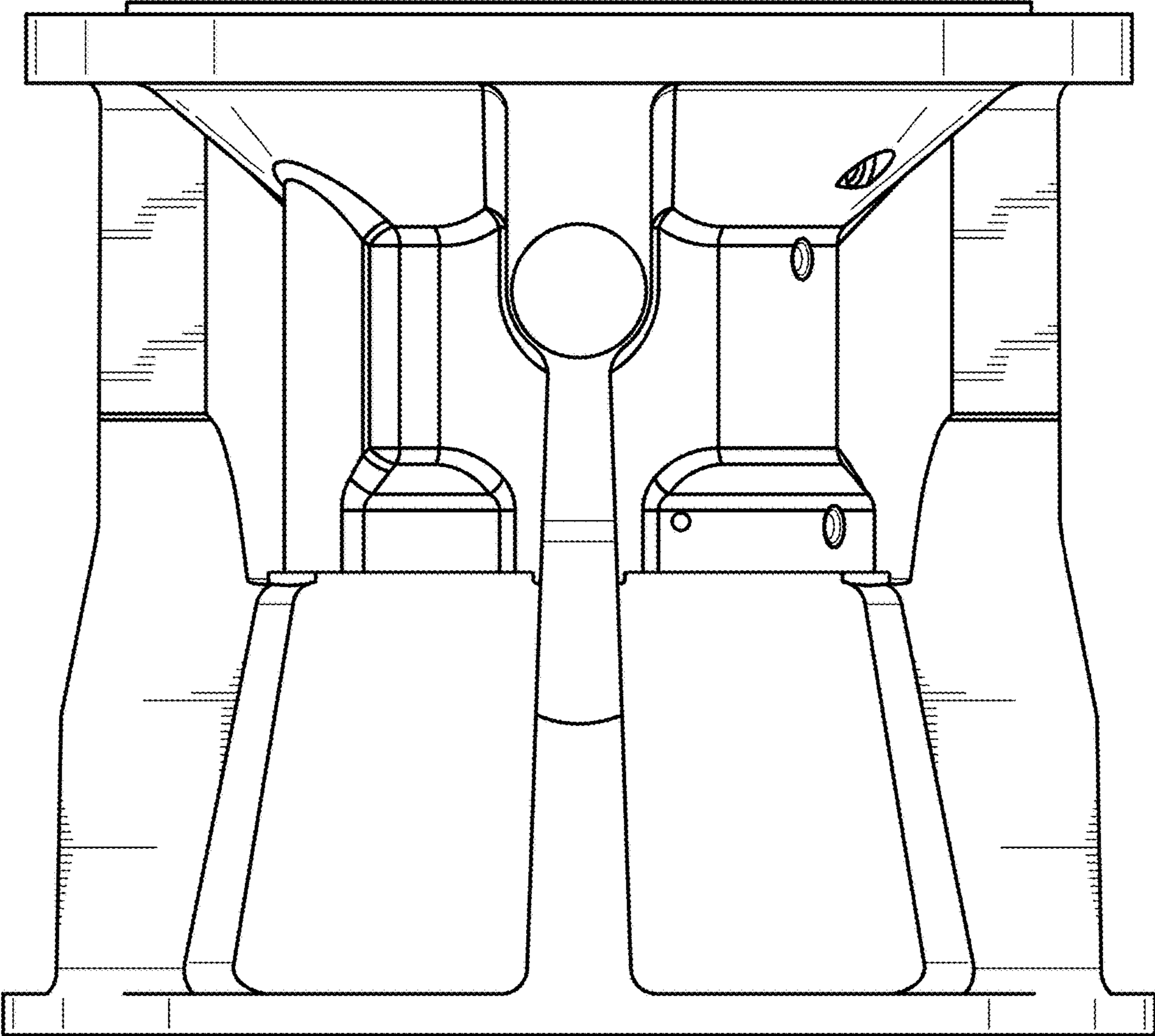


FIG. 7