



US00D849071S

(12) **United States Design Patent** (10) **Patent No.:** **US D849,071 S**
Koop (45) **Date of Patent:** **** May 21, 2019**

(54) **PRINT HEAD**

(71) Applicant: **Stratasys, Inc.**, Eden Prairie, MN (US)

(72) Inventor: **Shawn Michael Koop**, Blaine, MN (US)

(73) Assignee: **Stratasys, Inc.**, Eden Prairie, MN (US)

(**) Term: **15 Years**

(21) Appl. No.: **29/574,434**

(22) Filed: **Aug. 15, 2016**

(51) **LOC (11) Cl.** **15-09**

(52) **U.S. Cl.**
USPC **D15/138**

(58) **Field of Classification Search**
USPC D15/122, 135, 138; D18/54, 56, 57, 69;
D8/68
CPC . B29C 67/0003; B29C 67/0088; B33Y 10/00;
B33Y 50/02
See application file for complete search history.

(56) **References Cited**

U.S. PATENT DOCUMENTS

D316,021 S *	4/1991	Bunyea	D8/68
D319,763 S *	9/1991	Reiferscheid	D8/68
D660,353 S *	5/2012	Johnson	D18/56
D763,332 S *	8/2016	Wu	D15/138
9,527,240 B2 *	12/2016	Batchelder	B29C 67/0055

2012/0164256 A1 *	6/2012	Swanson	B29C 67/0055 425/162
2015/0140147 A1 *	5/2015	Konstantinos	B33Y 30/00 425/131.1
2018/0043627 A1 *	2/2018	Barclay	B29C 67/0055

OTHER PUBLICATIONS

Print Head (Available online Feb. 6, 2017) Retrieved from the internet Mar. 20, 2018, retrieved from the internet URL: <https://www.youtube.com/watch?v=mBUB-Xc8f6w>.*

* cited by examiner

Primary Examiner — Kevin K Rudzinski

Assistant Examiner — Richard Kearney

(74) *Attorney, Agent, or Firm* — Peter J. Ims; Westman, Champlin & Koehler, P.A.

(57) **CLAIM**

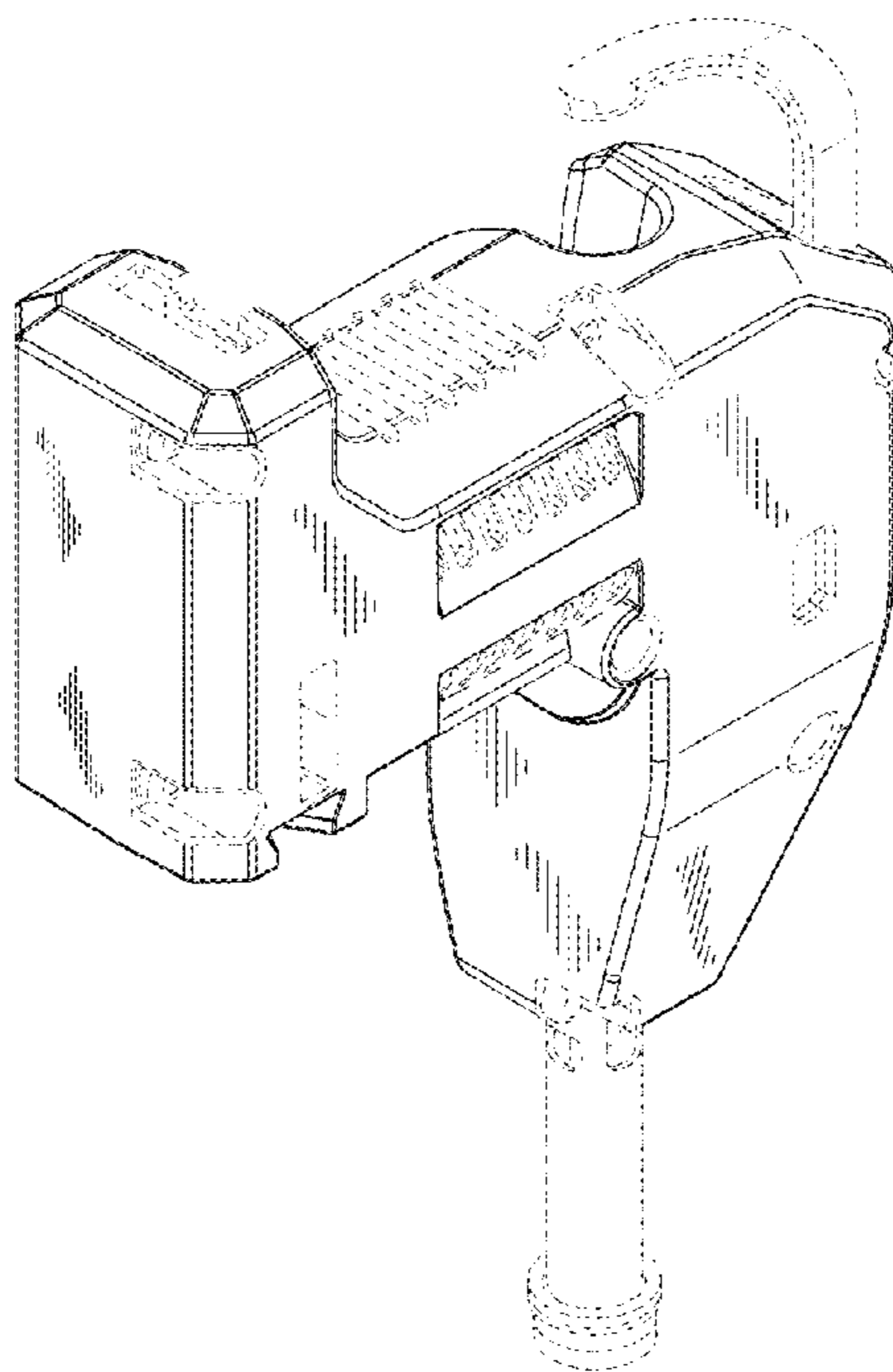
The ornamental design for a print head, as shown and described.

DESCRIPTION

FIG. 1 is a top perspective view of a print head showing our new design;
FIG. 2 is a bottom perspective view thereof;
FIG. 3 is a left side view thereof;
FIG. 4 is a right side view thereof;
FIG. 5 is a front view thereof;
FIG. 6 is a back view thereof;
FIG. 7 is a top view thereof; and,
FIG. 8 is a bottom view thereof.

The broken lines in the drawings are included for purposes of illustrating portions of the print head and form no part of the claimed design.

1 Claim, 6 Drawing Sheets



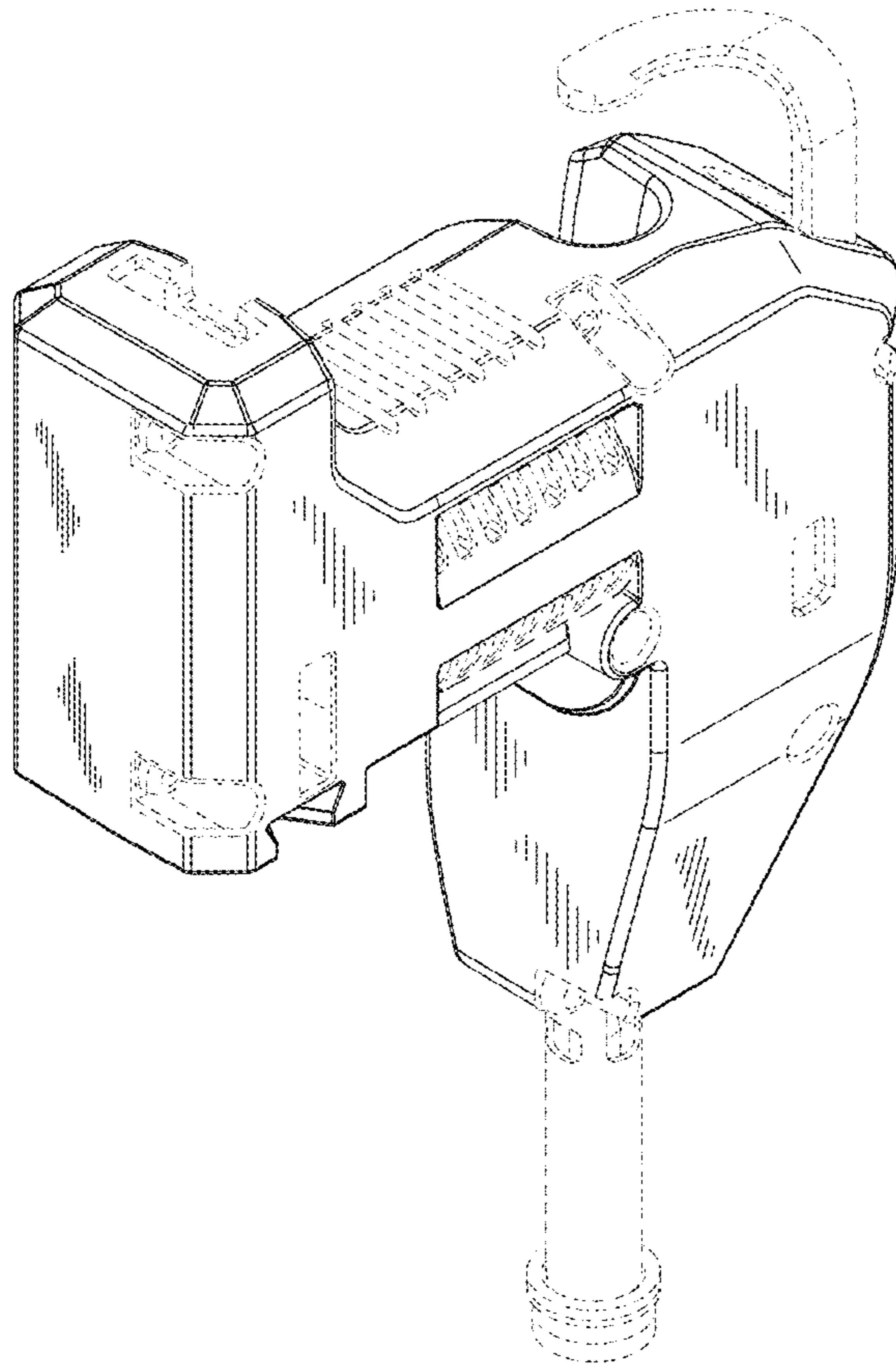


Fig. 1

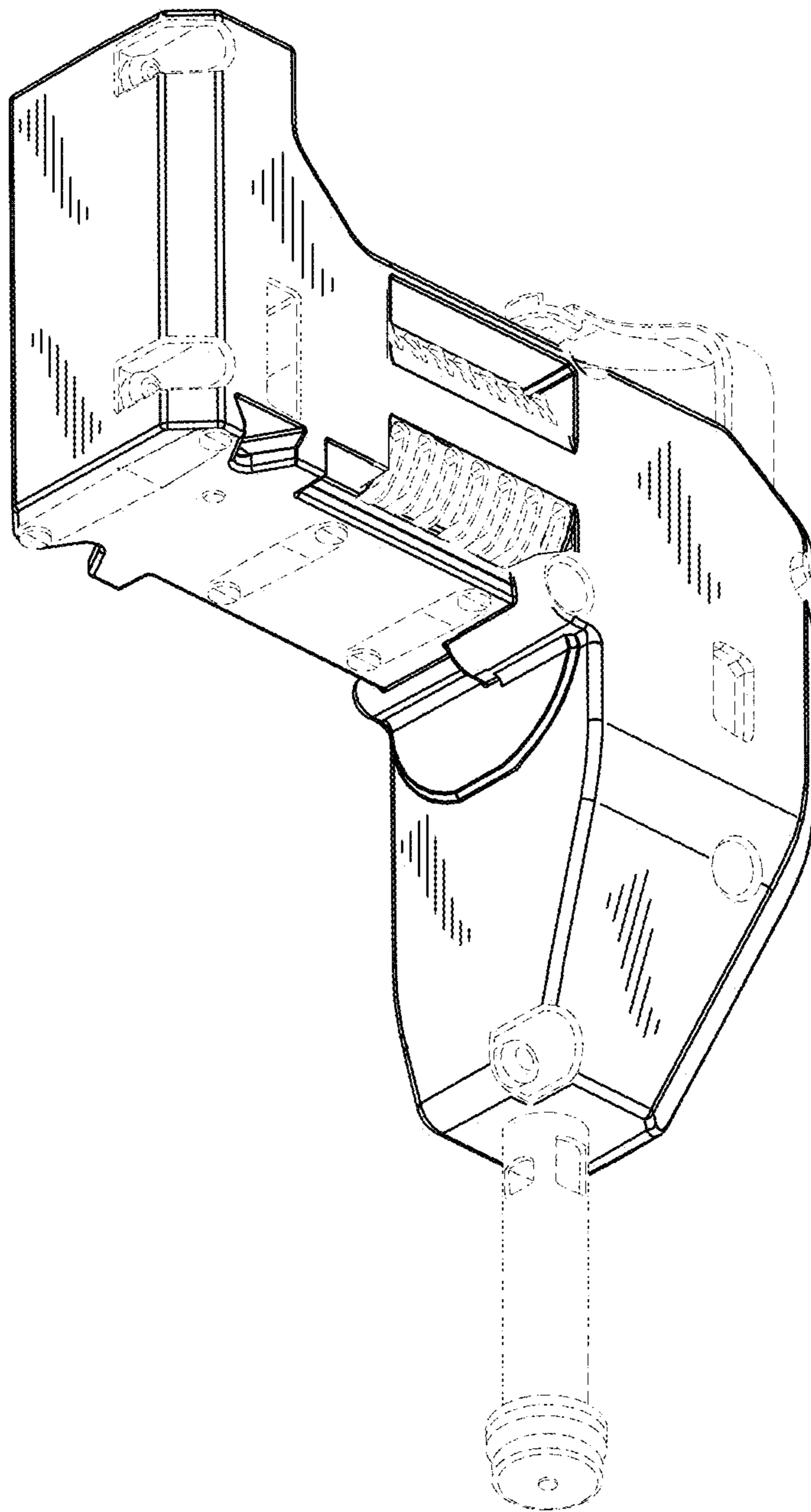


Fig. 2

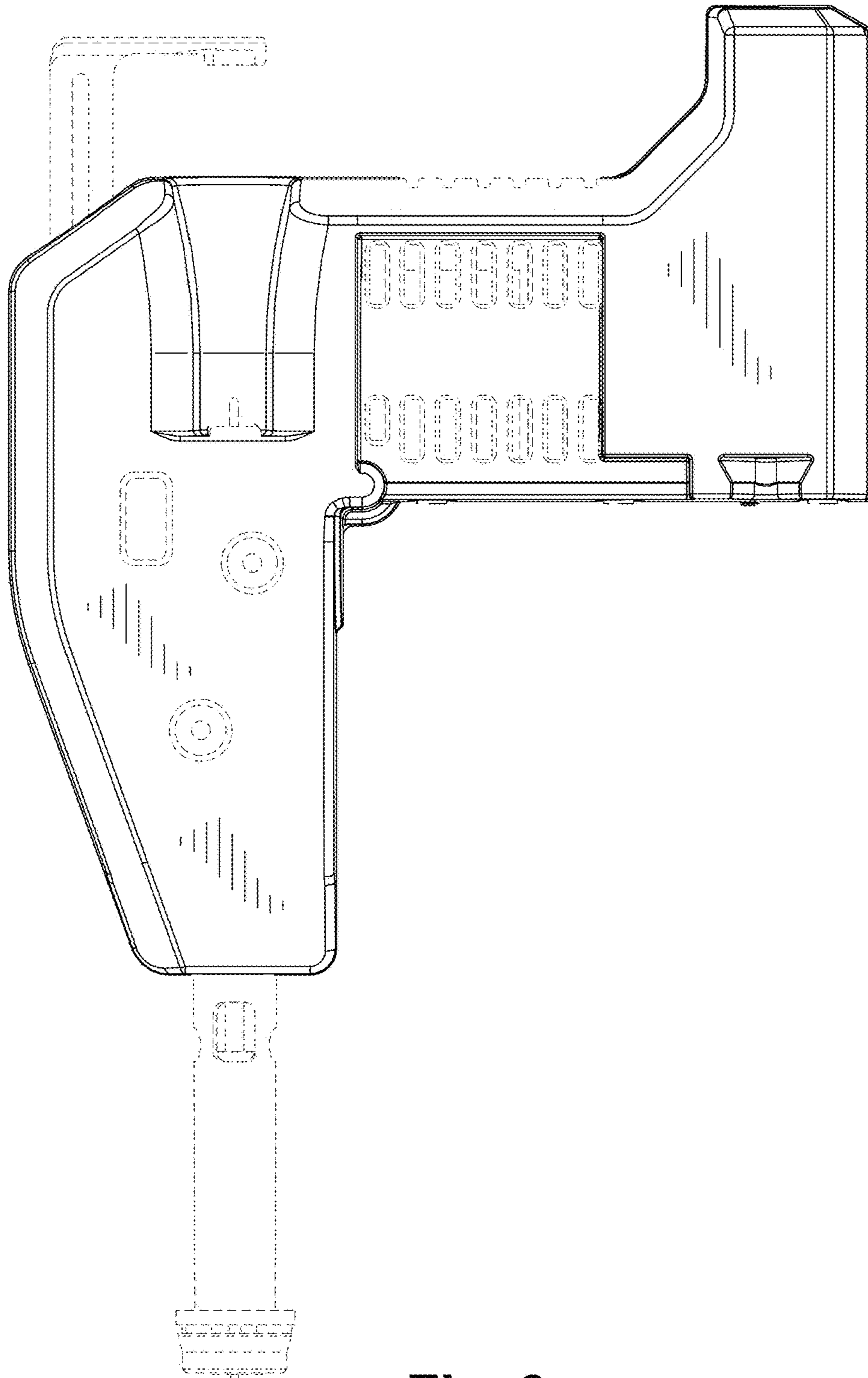


Fig. 3

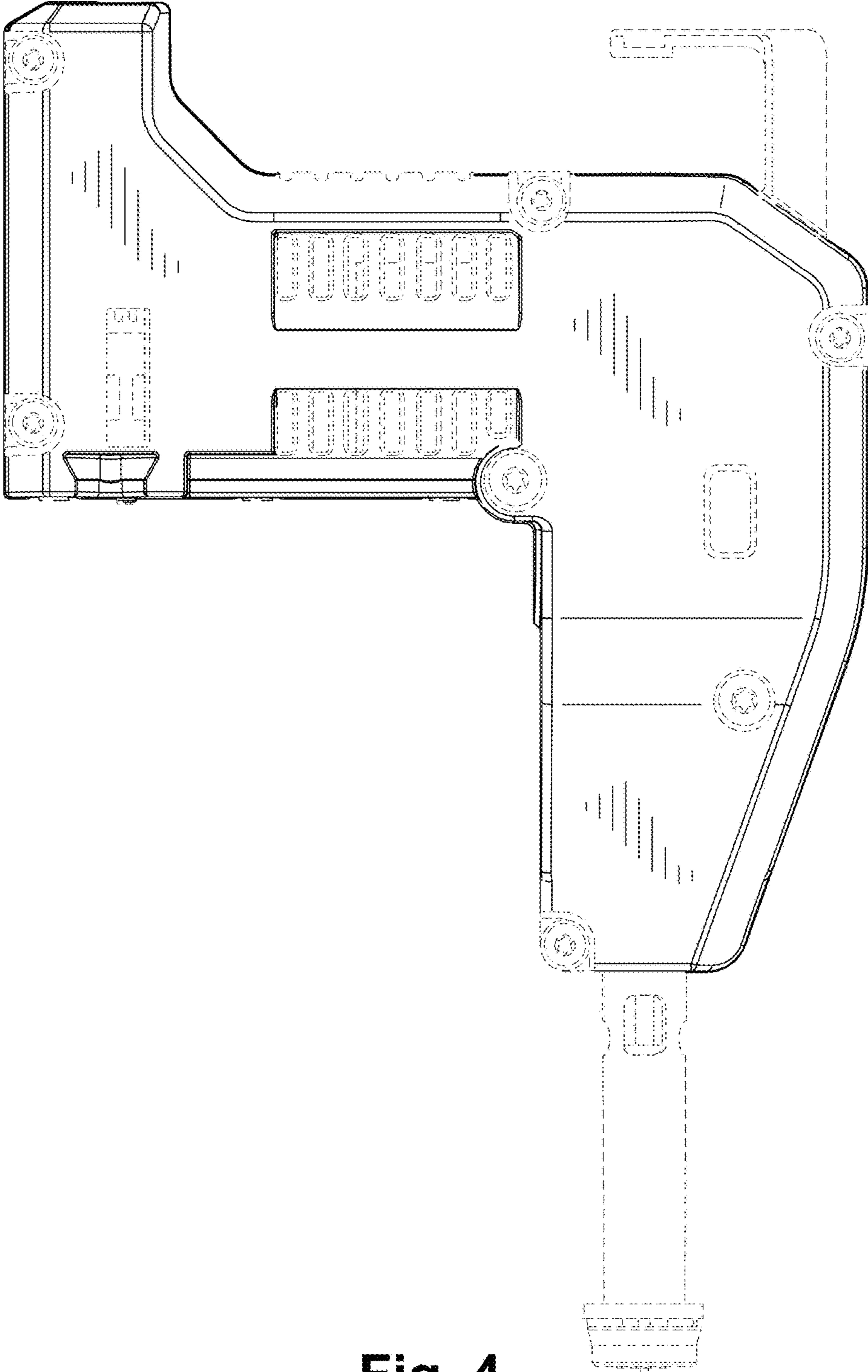


Fig. 4

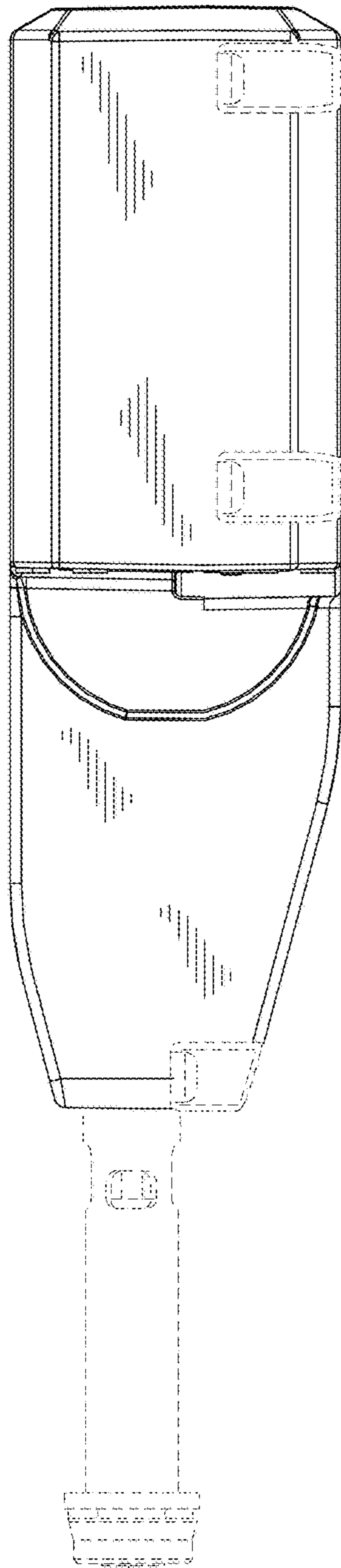


Fig. 5

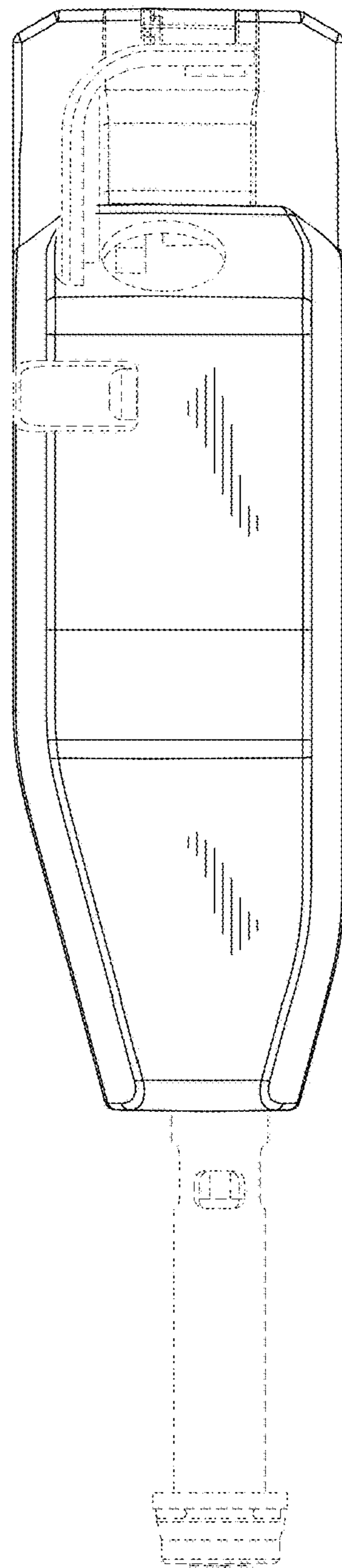


Fig. 6

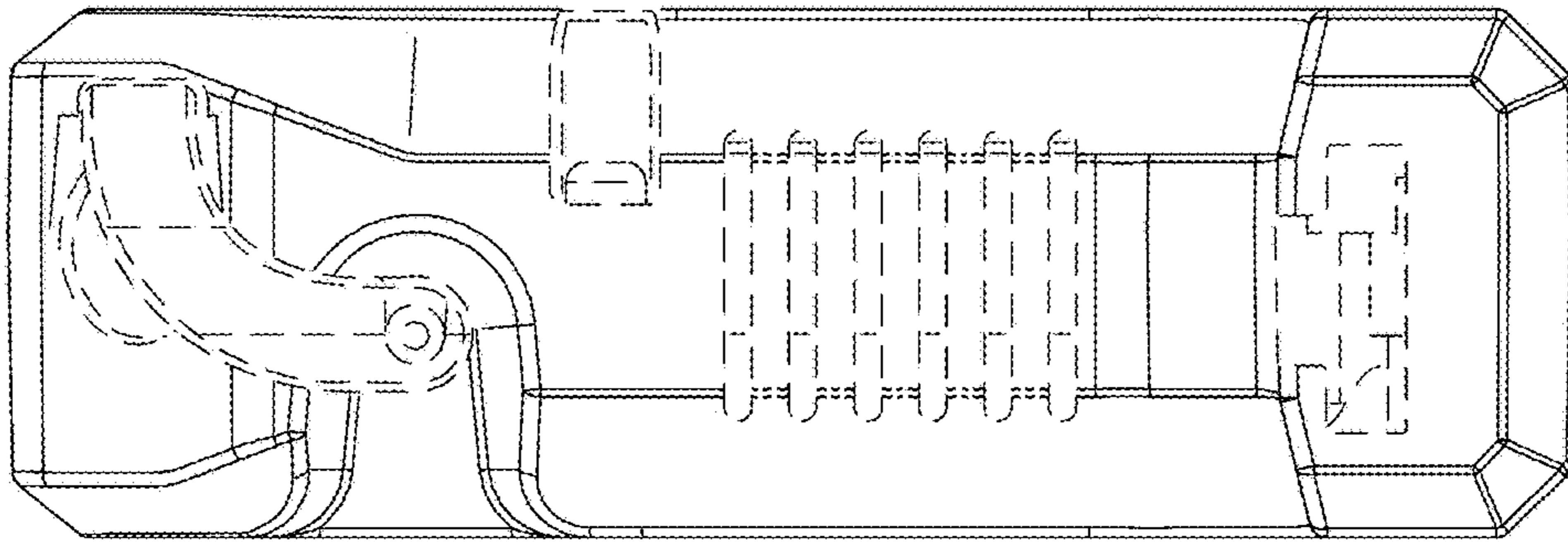


Fig. 7

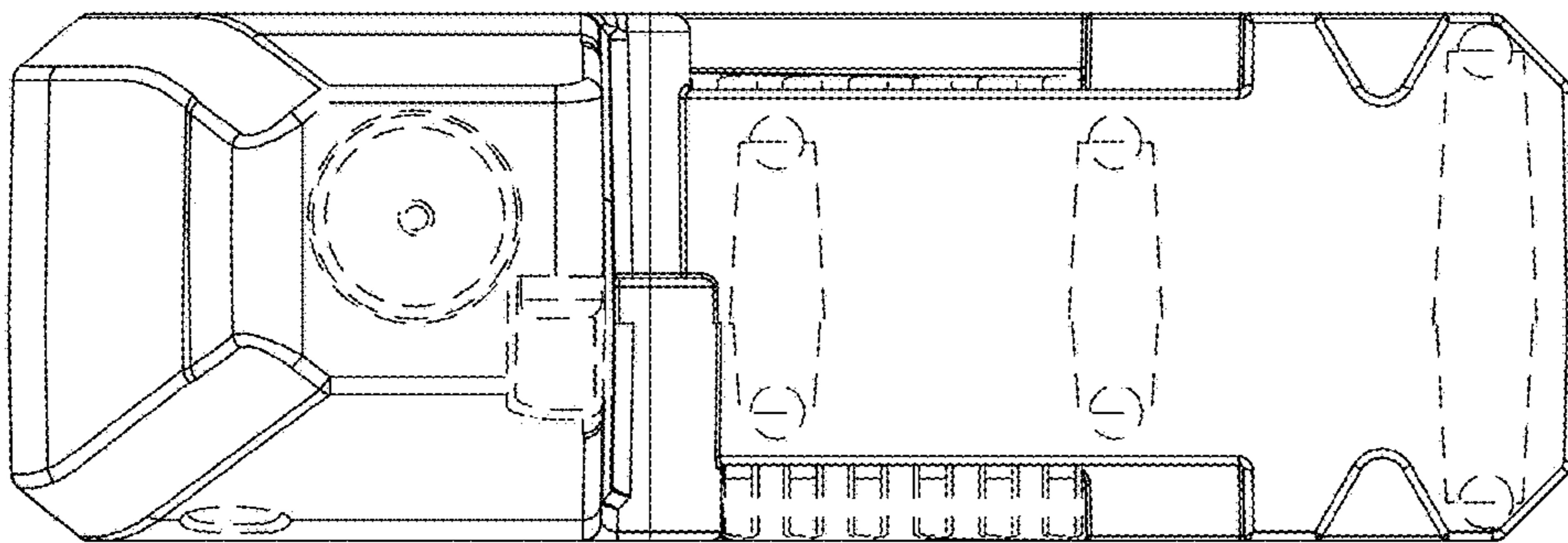


Fig. 8