



US00D849070S

(12) **United States Design Patent** (10) **Patent No.:** **US D849,070 S**
Schollmayer et al. (45) **Date of Patent:** **** May 21, 2019**

(54) **STIRRER**

D229,848 S * 1/1974 Mittelstadt et al. D15/12
4,054,272 A 10/1977 Cooke
D254,133 S * 2/1980 Sheldon 172/111
(Continued)

(71) Applicant: **UMICORE AG & CO KG,**
Hanau-Wolfgang (DE)

(72) Inventors: **Jörg Schollmayer,** Mainz (DE);
Michael Heitzenröther, Alzenau (DE)

(73) Assignee: **UMICORE AG & CO. KG,**
Hanau-Wolfgang (DE)

(**) Term: **15 Years**

(21) Appl. No.: **29/572,350**

(22) Filed: **Jul. 27, 2016**

FOREIGN PATENT DOCUMENTS

DE 830 879 C 2/1952
DE 2 220 213 A1 11/1973
(Continued)

OTHER PUBLICATIONS

New Stirrer Technology for Glass Industry, posted on technology.
matthey.com, published 2005, [online], [site visited Dec. 27, 2017],
Available from Internet, URL: [http://www.technology.matthey.com/
article/49/2/62-69/](http://www.technology.matthey.com/article/49/2/62-69/) (Year: 2005).*
(Continued)

Related U.S. Application Data

(63) Continuation-in-part of application No.
PCT/EP2016/053642, filed on Feb. 22, 2016.

(51) **LOC (11) Cl.** **15-09**

(52) **U.S. Cl.**
USPC **D15/130; D15/122**

(58) **Field of Classification Search**
USPC D8/8, 14, 59, 499; D13/115; D15/139,
D15/199, 130
CPC .. C03B 5/03; C03B 5/04; C03B 5/182; C03B
5/185; C03B 5/193; C03B 5/20; C03B
5/225

See application file for complete search history.

(56) **References Cited**

U.S. PATENT DOCUMENTS

2,570,079 A 10/1951 Spremulli
3,316,983 A * 5/1967 Goodman E21B 11/005
173/147
D208,725 S * 9/1967 Danuser D15/21
3,419,373 A 12/1968 Gould et al.

Primary Examiner — Garth Rademaker
Assistant Examiner — Fritzgerald L Butac
(74) *Attorney, Agent, or Firm* — Smith, Gambrell &
Russell, LLP

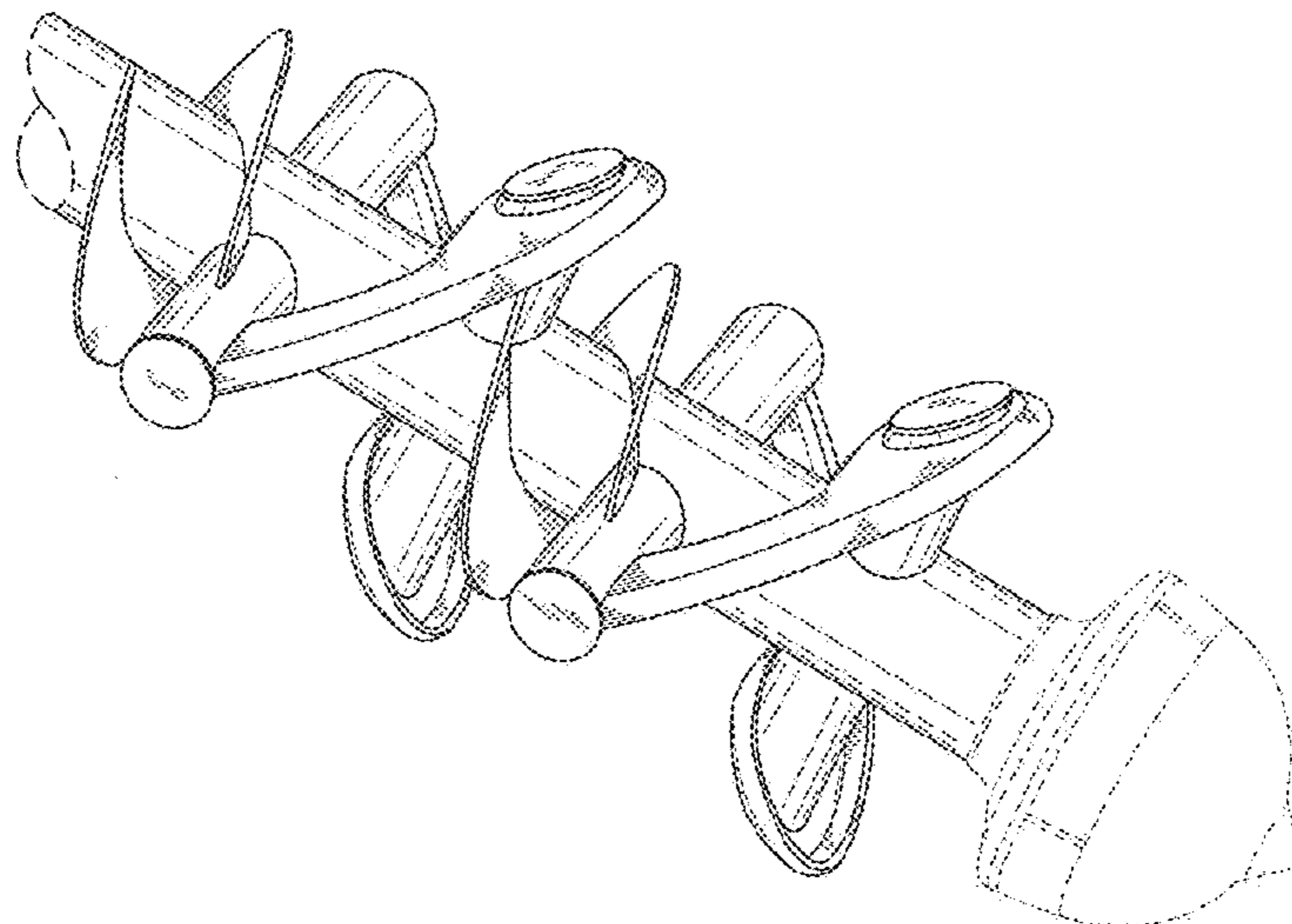
(57) **CLAIM**

The ornamental design for a stirrer, as shown and described.

DESCRIPTION

FIG. 1 shows a perspective view of the stirrer;
FIG. 2 shows a top plan view of the stirrer shown in FIG. 1
(the bottom plan view being the same);
FIG. 3 shows a front elevation view of the stirrer shown in
FIG. 1 (the rear elevation view being the same);
FIG. 4 shows a right side view of the stirrer shown in FIG.
1; and,
FIG. 5 shows a left side view of the stirrer shown in FIG. 1.
Details shown in broken lines illustrate portions of the stirrer
that form no part of the claimed design. Lines shown in a
“dash-dot” format define bounds of the claimed design, and
form no part thereof.

1 Claim, 5 Drawing Sheets



(56)

References Cited

U.S. PATENT DOCUMENTS

D314,263 S * 1/1991 Mueller D32/26
 D316,100 S 4/1991 Kief
 5,611,221 A * 3/1997 Tremel D06F 13/02
 192/46
 D399,091 S 10/1998 Rubin
 D421,030 S 2/2000 Panaccione et al.
 6,296,068 B1 * 10/2001 Frederick A01C 5/04
 111/116
 6,352,122 B1 3/2002 Love
 D474,567 S 5/2003 Clark et al.
 D474,568 S * 5/2003 Clark D32/26
 D475,372 S * 6/2003 Dulkoski D15/21
 D485,654 S 1/2004 Clark et al.
 D518,286 S * 4/2006 Santos D3/17
 D524,329 S 7/2006 Sheperd
 D557,290 S * 12/2007 Melegari D15/139
 D557,984 S 12/2007 Kozlowski et al.
 7,628,232 B2 * 12/2009 Koch B23B 51/02
 175/323
 D618,056 S 6/2010 Sly
 7,740,401 B2 6/2010 Kozlowski et al.
 D648,193 S * 11/2011 Wheat D8/8
 D682,640 S 5/2013 Motosko
 8,434,329 B2 5/2013 Singer
 D708,136 S * 7/2014 Eguizabal Garcia D13/115
 D722,965 S * 2/2015 Perless D13/115
 D723,076 S * 2/2015 Lampe D15/139
 D735,468 S 8/2015 Goldszer
 D735,896 S * 8/2015 Reusing D25/133
 9,103,321 B1 * 8/2015 Bardia F03D 9/002
 D747,143 S 1/2016 Schomacher et al.
 D761,056 S 7/2016 Kemker
 D788,197 S 5/2017 Ford
 D798,923 S * 10/2017 Homola D15/139
 D800,807 S 10/2017 Schollmayer et al.
 D800,808 S 10/2017 Schollmayer et al.
 D801,927 S * 11/2017 Cooper, II D13/115
 2005/0083782 A1 4/2005 Gronau et al.
 2007/0003654 A1 1/2007 Morimoto

2008/0282738 A1 11/2008 Yoshida
 2009/0025428 A1 1/2009 Naumann et al.
 2013/0051173 A1 * 2/2013 Braker A23G 1/0043
 366/145

FOREIGN PATENT DOCUMENTS

DE 198 09 878 A1 9/1999
 DE 10 2008 017 045 A1 10/2009
 DE 202016100936 U1 * 4/2016 B01F 7/00033
 EP 0 160 830 A1 11/1985
 EP 1 524 027 A2 4/2005
 EP 2 353 707 A1 8/2011
 EP 2 505 562 A1 10/2012
 EP 2955162 A1 * 12/2015 B01F 7/00641
 JP S54-118454 U 8/1979
 JP 61021922 A * 1/1986
 JP S63-134040 A 6/1988
 JP H01-129231 U 9/1989
 JP H04-160018 A 6/1992
 JP H10-265226 A 10/1998
 JP 2004-307302 11/2004
 WO 03/078337 A1 9/2003
 WO 2006/007778 A1 1/2006
 WO 2010/098328 A1 9/2010
 WO 2011/020625 A1 2/2011

OTHER PUBLICATIONS

Apps in the Glass Industry, posted on chemgapedia.de, no posted date given, [online], [site visited Dec. 27, 2017], Available from Internet, URL: http://www.chemgapedia.de/vsengine/tra/vsc/en/ch/25/heraeus/pt.tra/Vlu/vsc/en/ch/25/heraeus/pt_als_werkstoff/platin.vlu/Page/vsc/en/ch/25/heraeus/pt_als (Year: 2017).
 U.S. Appl. No. 29/572,347, filed Jul. 27, 2016, Schollmayer, et al.
 U.S. Appl. No. 29/572,349, filed Jul. 27, 2016, Schollmayer, et al.
 International Search Report for International Application No. PCT/EP2016/053642 dated Jun. 30, 2016 (9 pages).
 Written Opinion of International Application No. PCT/EP2016/053642 dated Jun. 30, 2016. (10 pages).

* cited by examiner

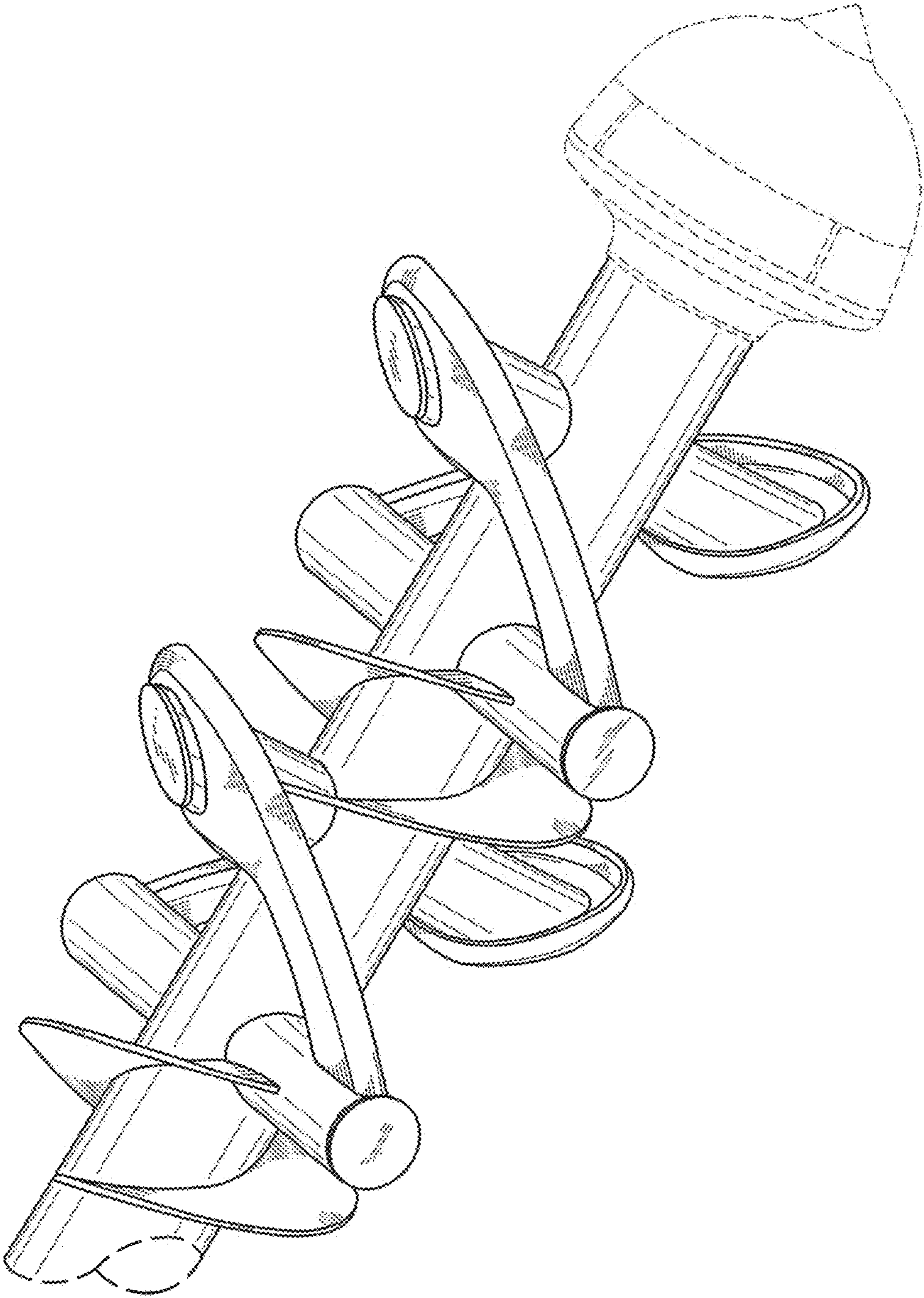


FIG. 1

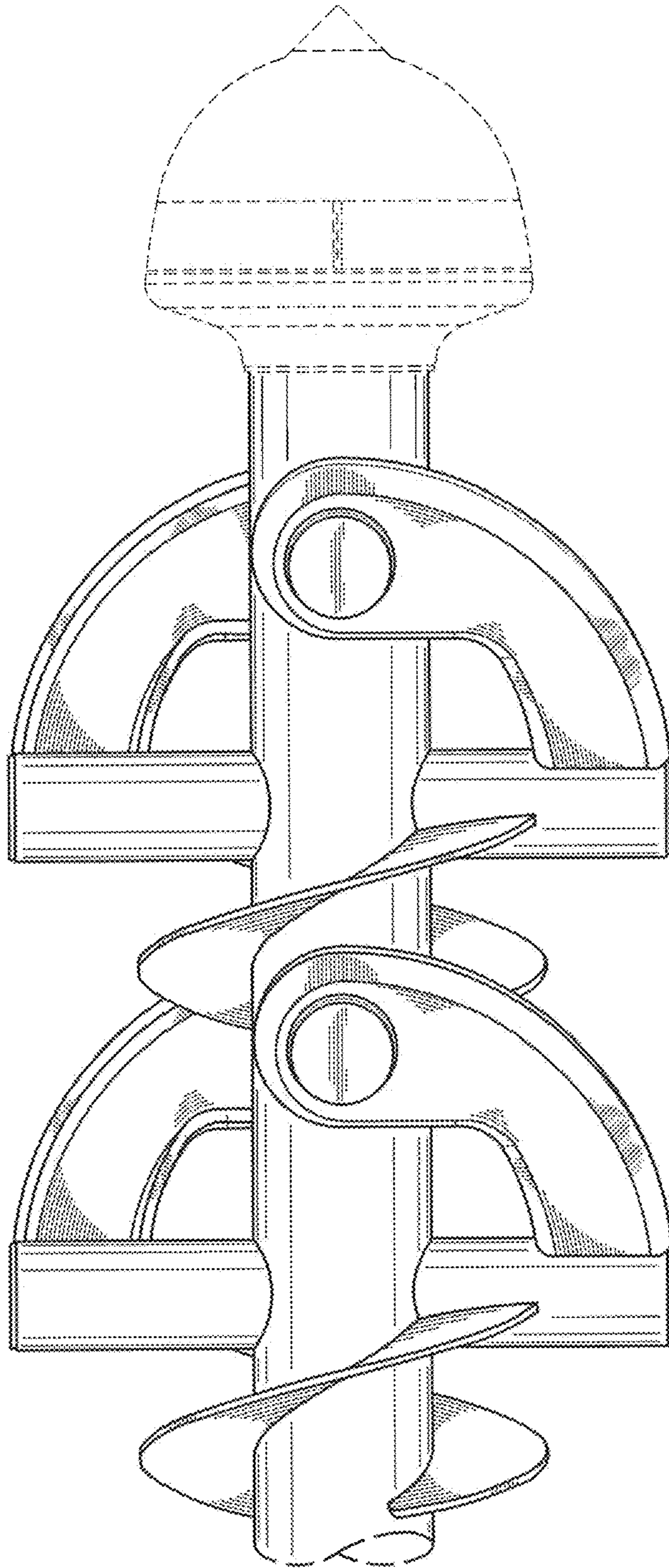


FIG. 2

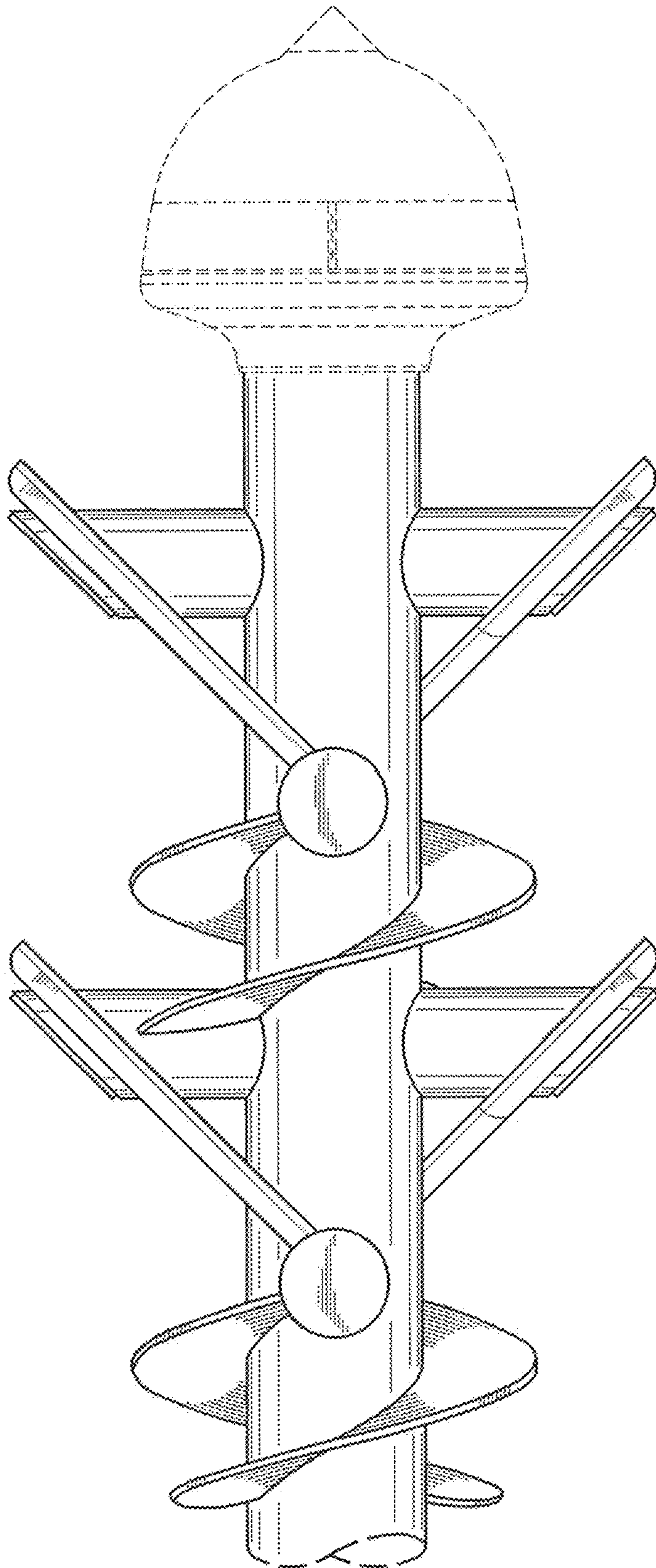


FIG. 3

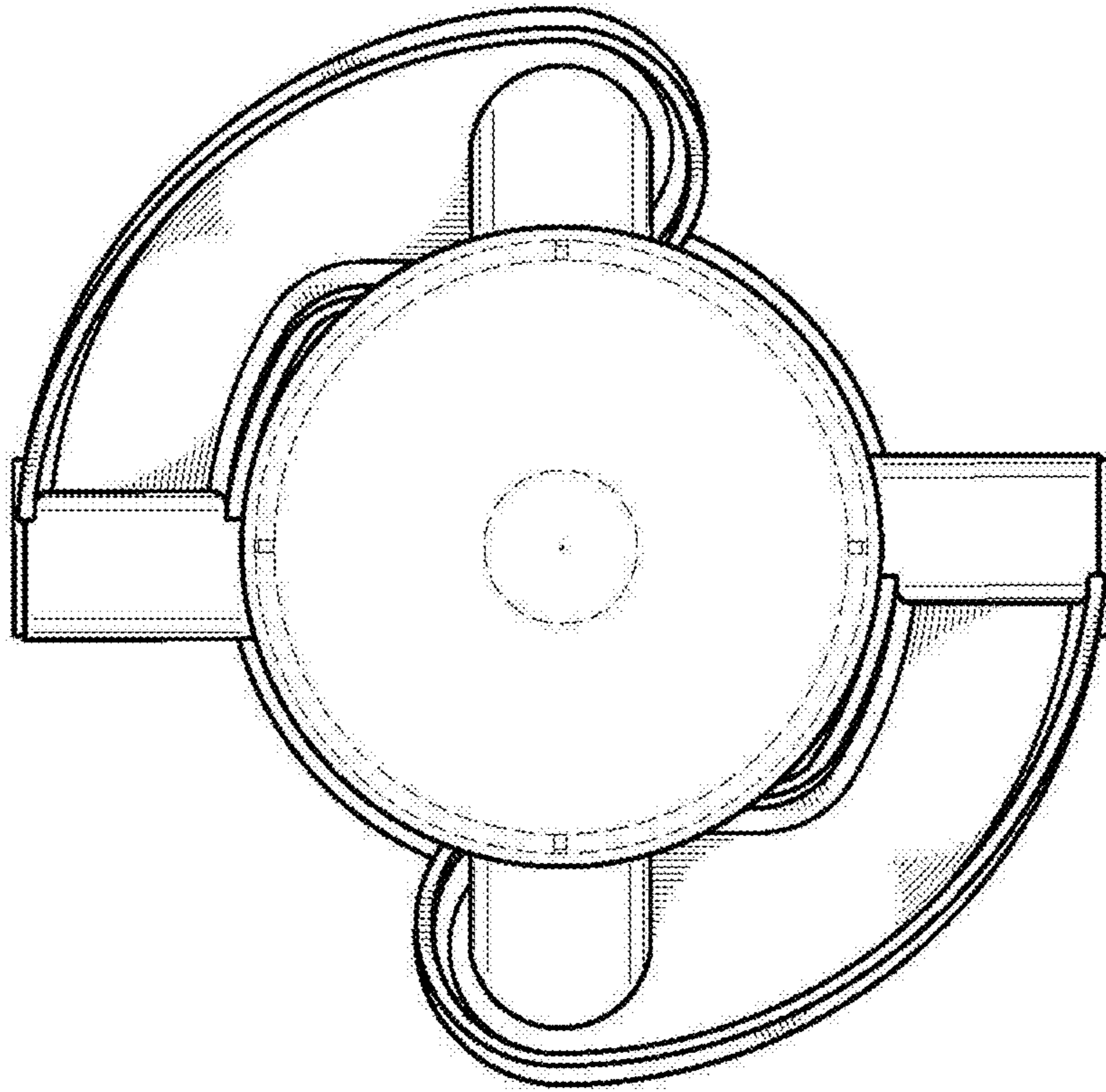


FIG. 4

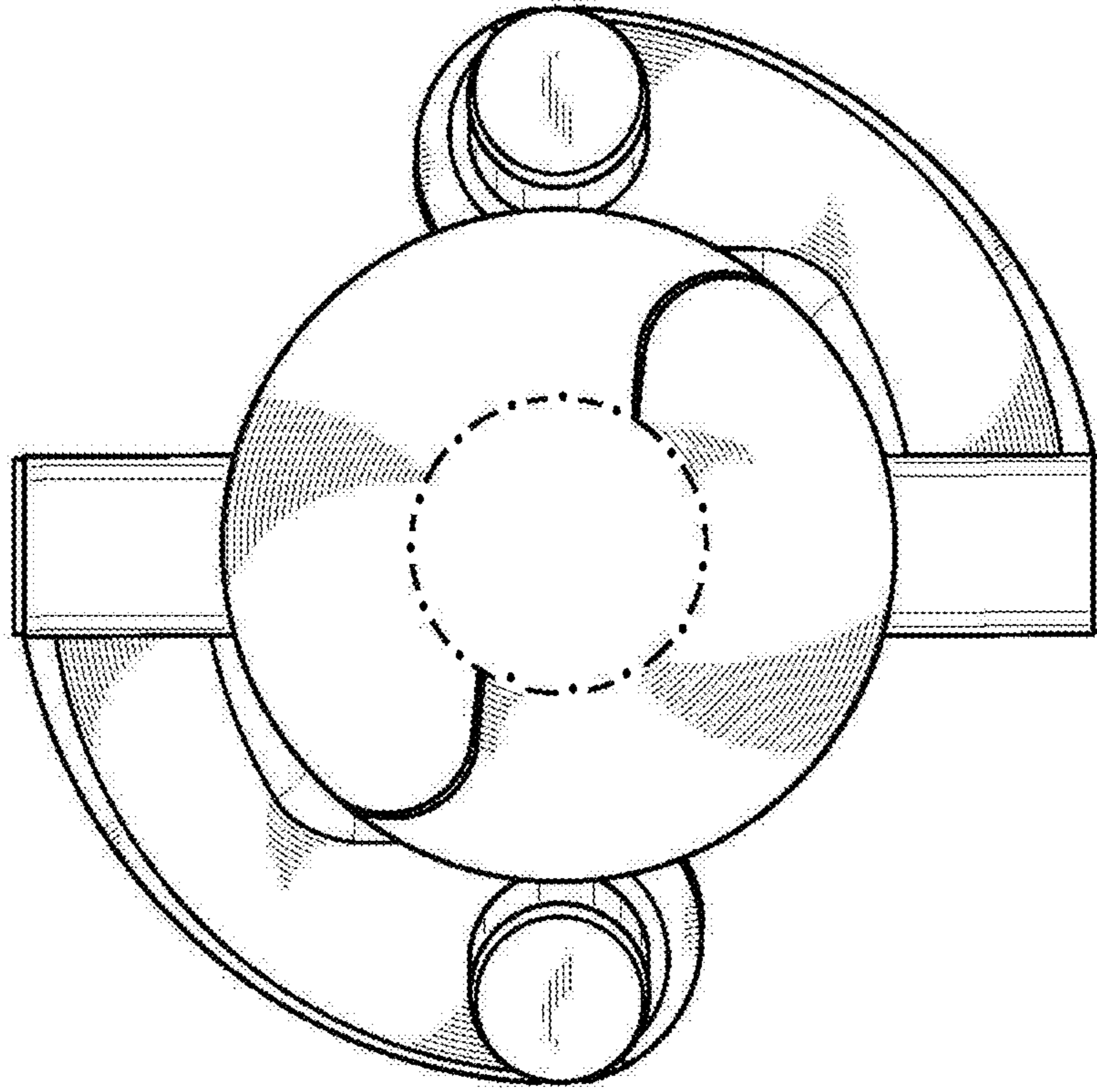


FIG. 5