



US00D849060S

(12) **United States Design Patent**
Tullius

(10) **Patent No.:** **US D849,060 S**

(45) **Date of Patent:** **** May 21, 2019**

- (54) **TRACTOR**
- (71) Applicant: **CLAAS KGaA mbH**, Harsewinkel (DE)
- (72) Inventor: **Christoph Tullius**, Weikersburg (DE)
- (73) Assignee: **CLAAS KGaA mbH**, Harsewinkel (DE)
- (**) Term: **15 Years**
- (21) Appl. No.: **29/645,156**
- (22) Filed: **Apr. 24, 2018**
- (30) **Foreign Application Priority Data**
 - Oct. 26, 2017 (EP) 004421949
 - Mar. 5, 2018 (EP) 004739126
- (51) **LOC (11) Cl.** **12-09**
- (52) **U.S. Cl.**
USPC **D15/24**
- (58) **Field of Classification Search**
USPC D15/10, 14, 15, 22-26, 33; 180/69.2, 180/89.1, 89.12, 900; 56/12.7, 15.8, 16.7, 56/13.3, 10.1, 202, 320.1
CPC A01B 51/026; B62D 49/02; B62D 33/06; B62D 33/0604; B62D 33/0617; B62D 25/10; B60K 15/063; B60K 15/073; B60K 2015/0637
See application file for complete search history.

- 5,018,591 A * 5/1991 Price B62D 55/08 180/9.48
- D364,879 S * 12/1995 Bastian D15/24
- D375,506 S * 11/1996 Bastian D15/24
- 6,913,103 B2 * 7/2005 Kitasaka B60K 17/105 180/306
- D556,789 S * 12/2007 Kitayama D15/24
- D559,277 S * 1/2008 Tsujita D15/24
- D564,544 S * 3/2008 Higashikawa D15/23
- D614,204 S * 4/2010 Thompson D15/24
- D630,654 S * 1/2011 Thompson D15/31
- 8,430,188 B2 * 4/2013 Hansen B62D 55/04 180/9.26
- 8,801,115 B2 * 8/2014 Hansen B62D 55/04 305/142
- D729,851 S * 5/2015 Kushita D15/23

(Continued)

Primary Examiner — Mark A Goodwin
(74) *Attorney, Agent, or Firm* — Collard & Roe, P.C.

(57) **CLAIM**

The ornamental design for a tractor, as shown and described.

DESCRIPTION

The patent or application file contains a least one drawing executed in color. Copies of this patent or patent application publication with color drawing(s) will be provided by the Office upon request and payment of the necessary fee.
FIG. 1 is a top, front and left side perspective view of a tractor, showing my new design;
FIG. 2 is a top, rear and left side perspective view thereof;
FIG. 3 is a top, rear and right side perspective view thereof;
FIG. 4 is a top, front and right side perspective view thereof;
FIG. 5 is a front view thereof;
FIG. 6 is a left side view thereof;
FIG. 7 is a right side view thereof; and,
FIG. 8 is a rear view thereof.

1 Claim, 8 Drawing Sheets
(8 of 8 Drawing Sheet(s) Filed in Color)

- (56) **References Cited**
U.S. PATENT DOCUMENTS
D253,057 S * 10/1979 Fachini D15/26
D302,276 S * 7/1989 Briggs D15/24
D314,388 S * 2/1991 Brewer D12/1



(56)

References Cited

U.S. PATENT DOCUMENTS

D749,645 S *	2/2016	Okuyama	D15/26
D752,650 S *	3/2016	Margutti	D15/23
D753,730 S *	4/2016	Margutti	D15/23
D754,210 S *	4/2016	Margutti	D15/23
D759,730 S *	6/2016	Okuyama	D15/26
D777,215 S *	1/2017	Moritaka	D15/23
D783,059 S *	4/2017	Okuyama	D15/23
D785,050 S *	4/2017	Okuyama	D15/23

* cited by examiner

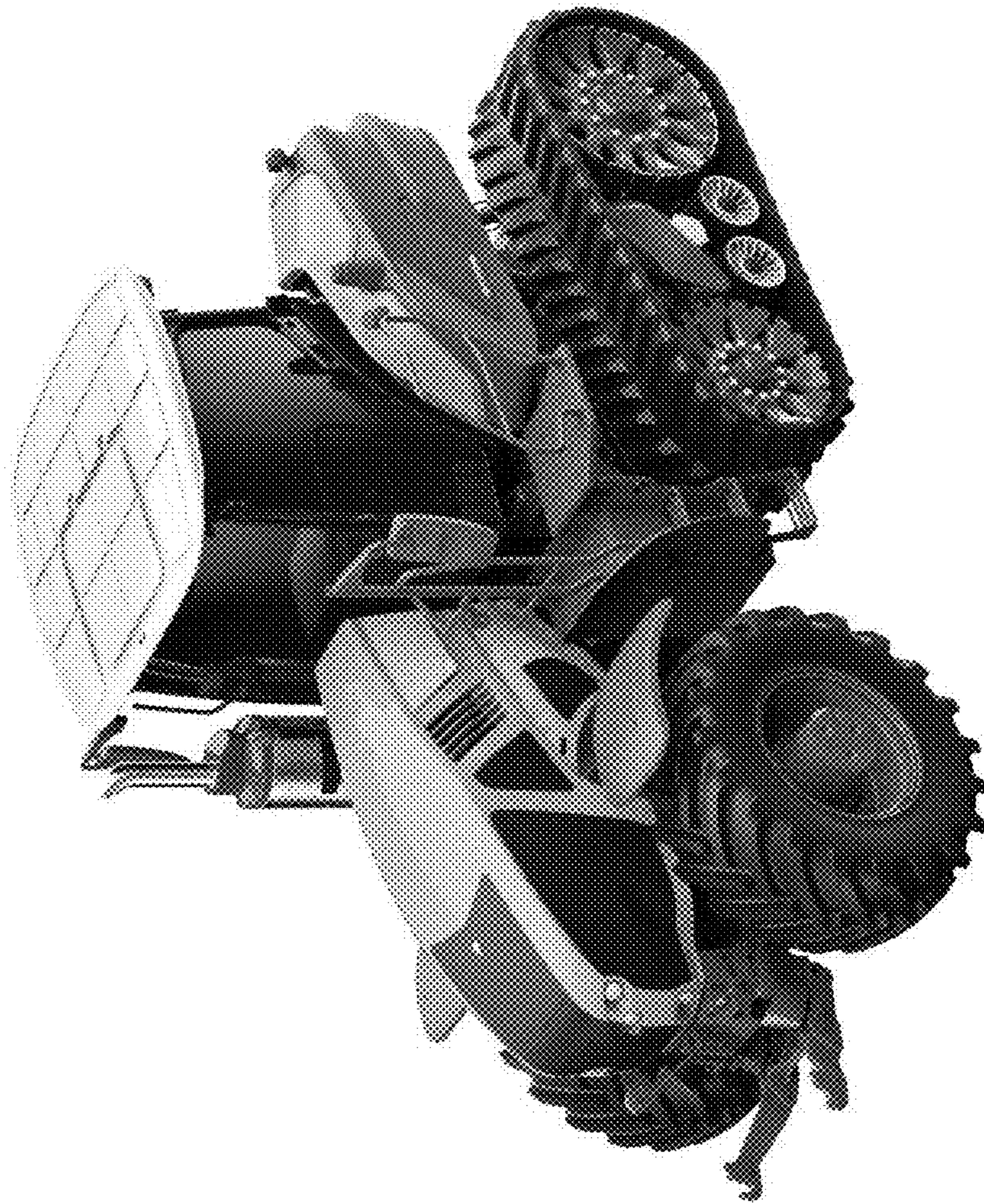


FIG. 1

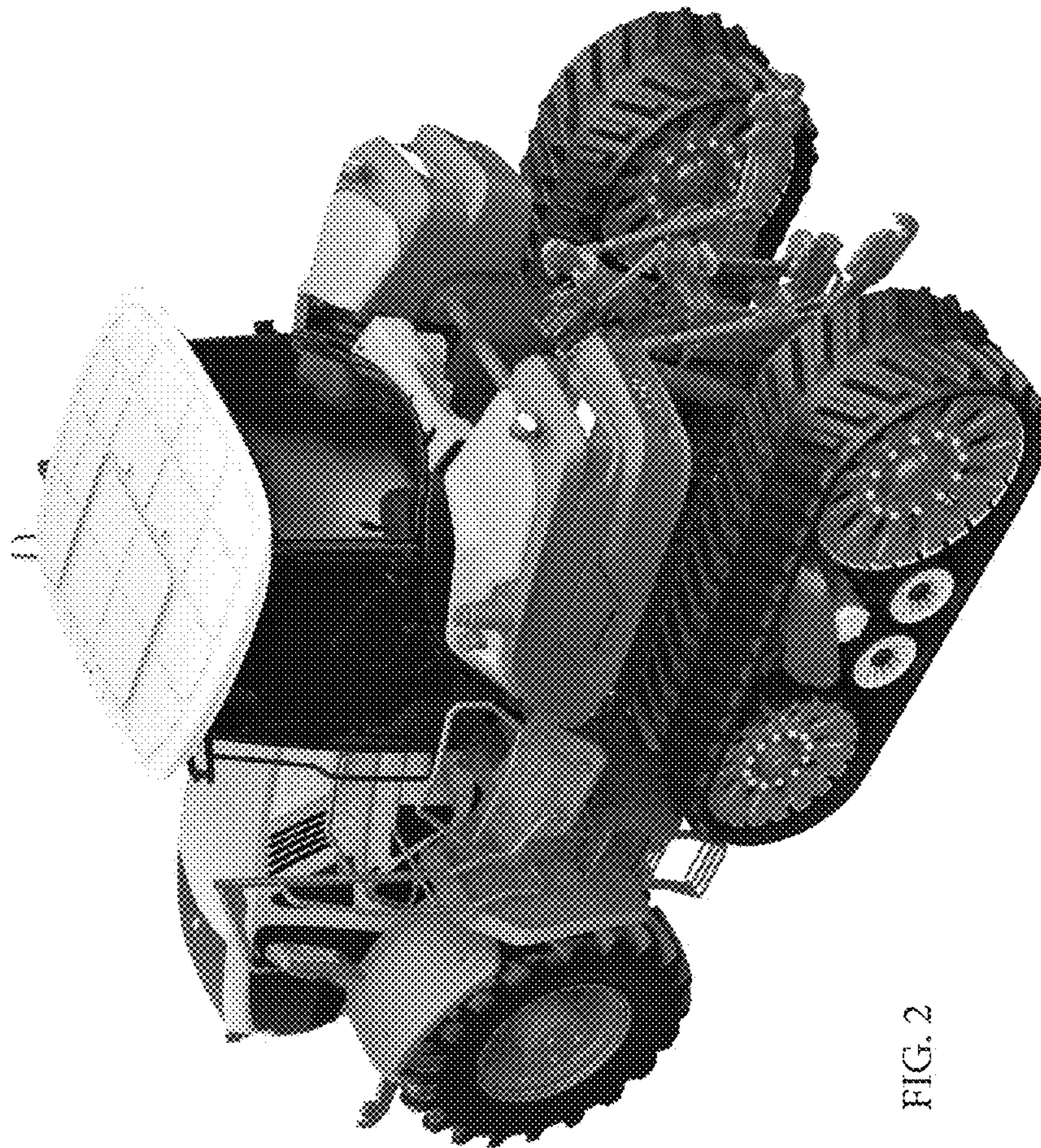


FIG. 2

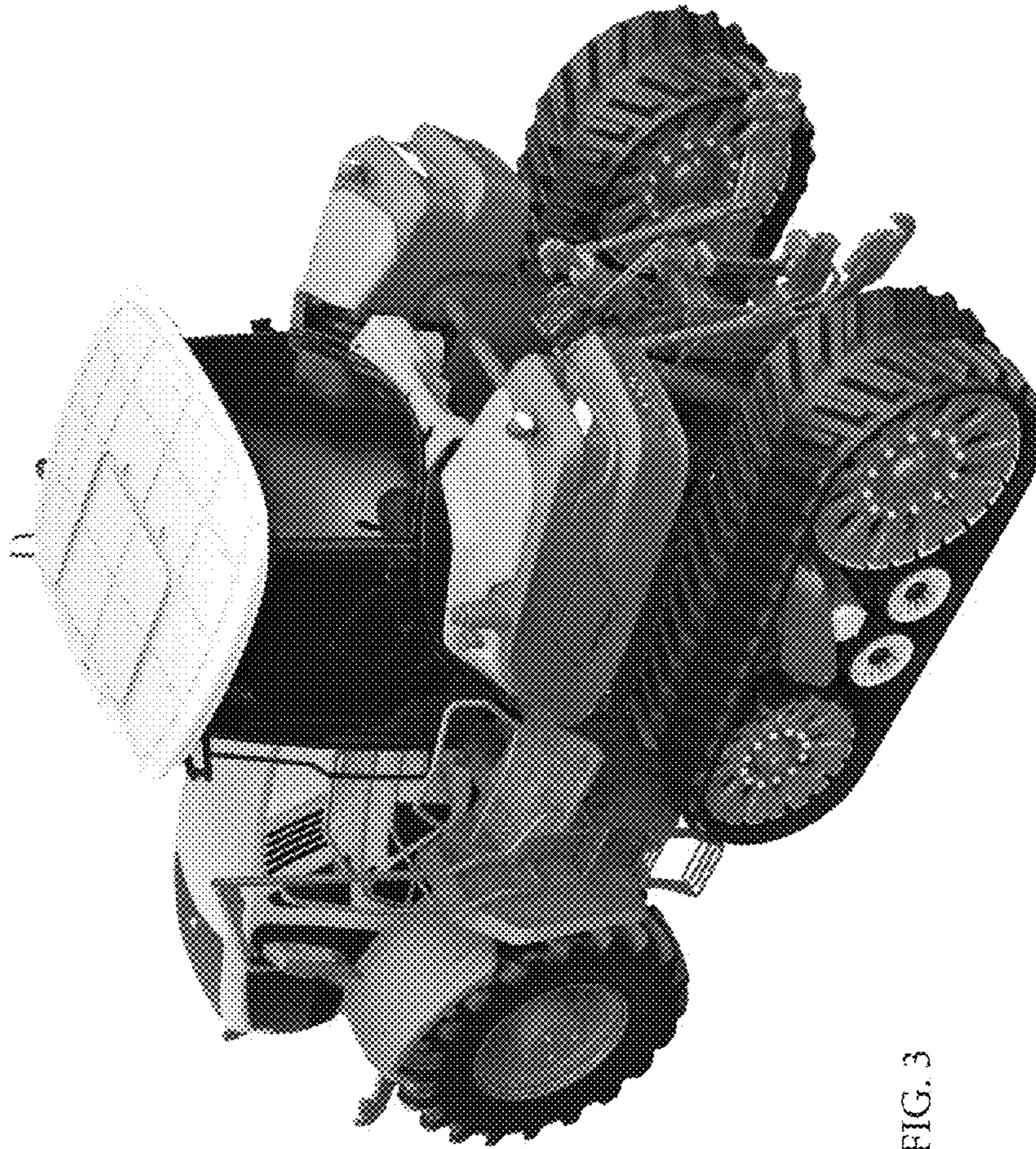


FIG. 3

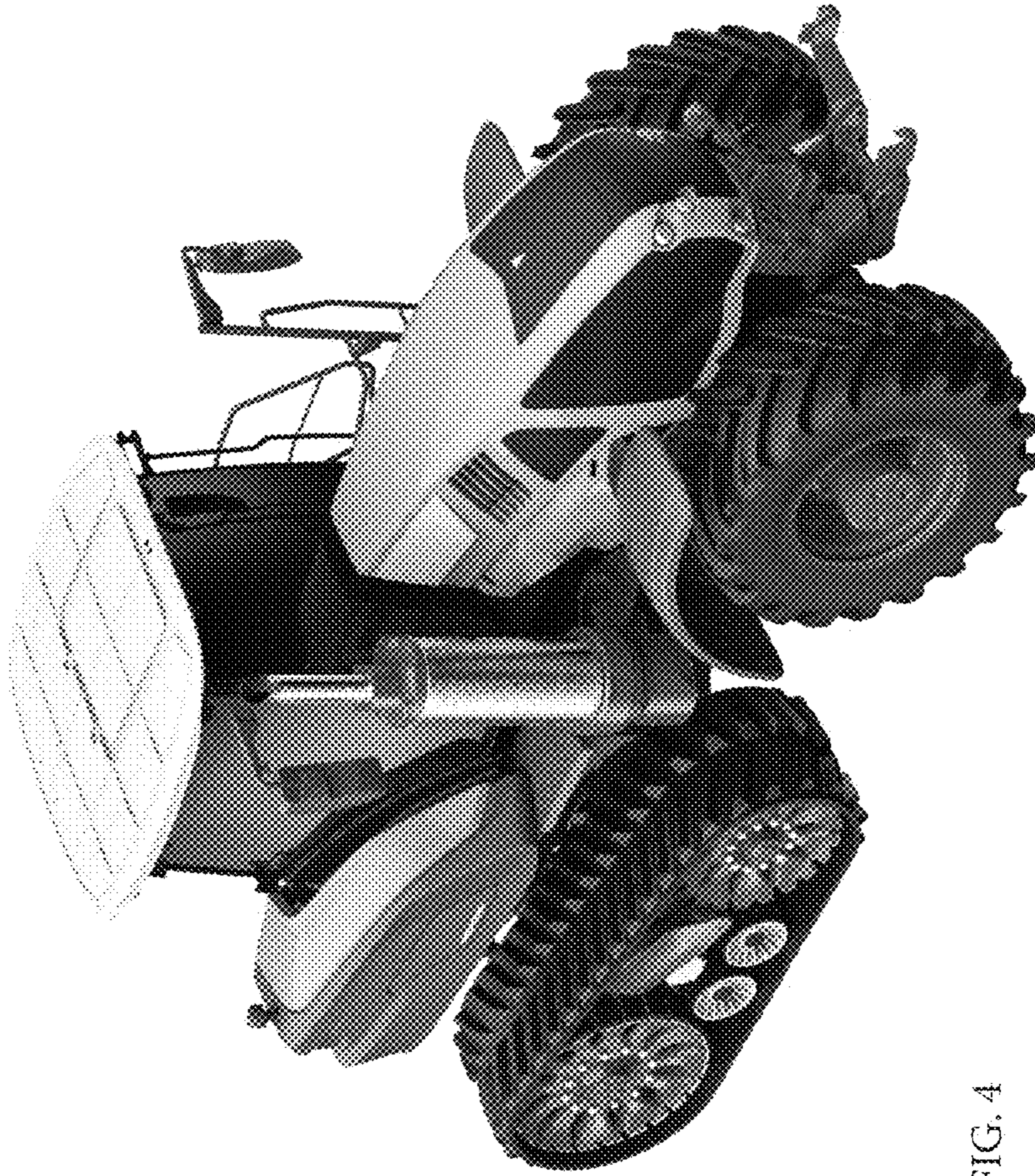


FIG. 4

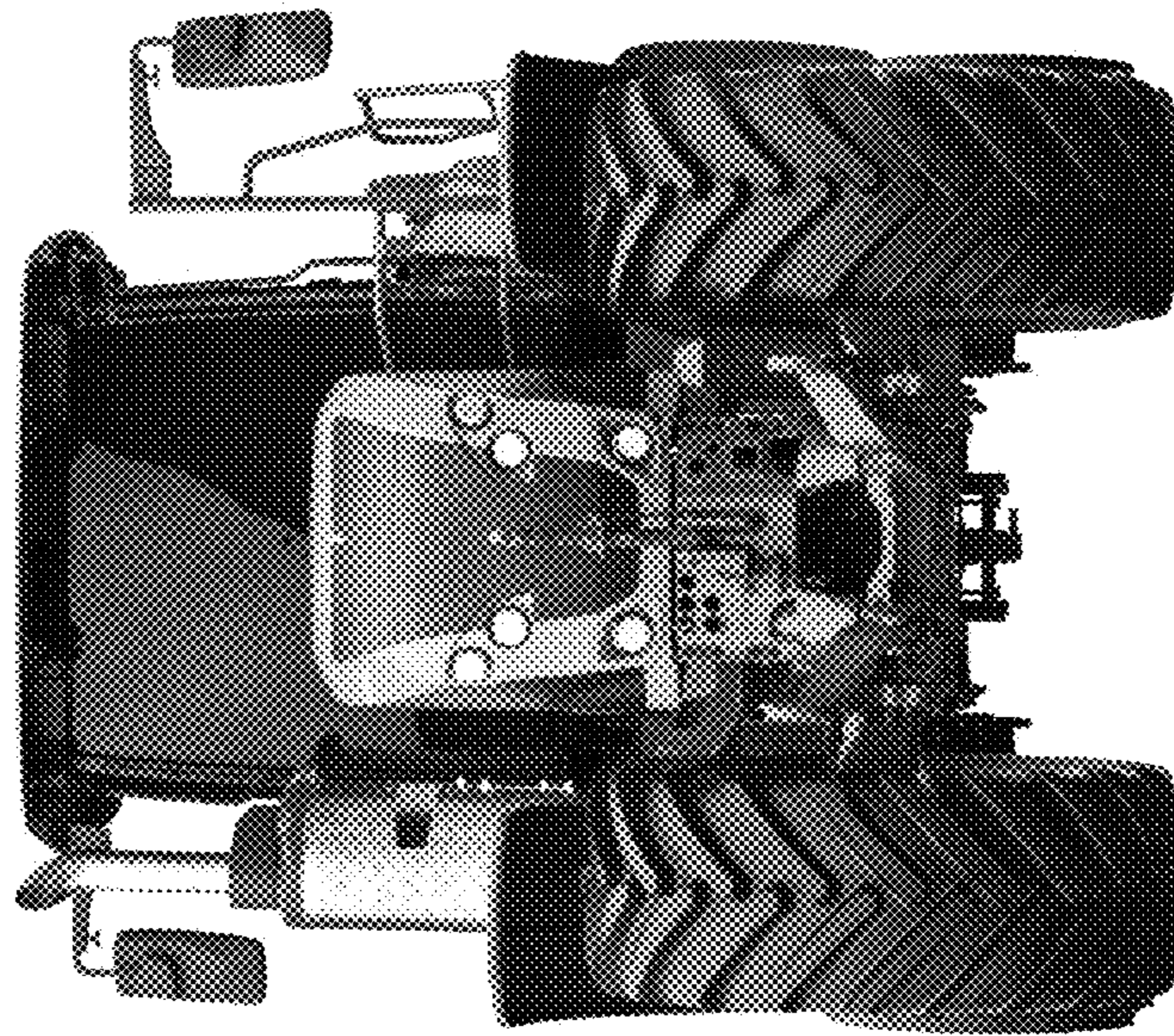


FIG. 5

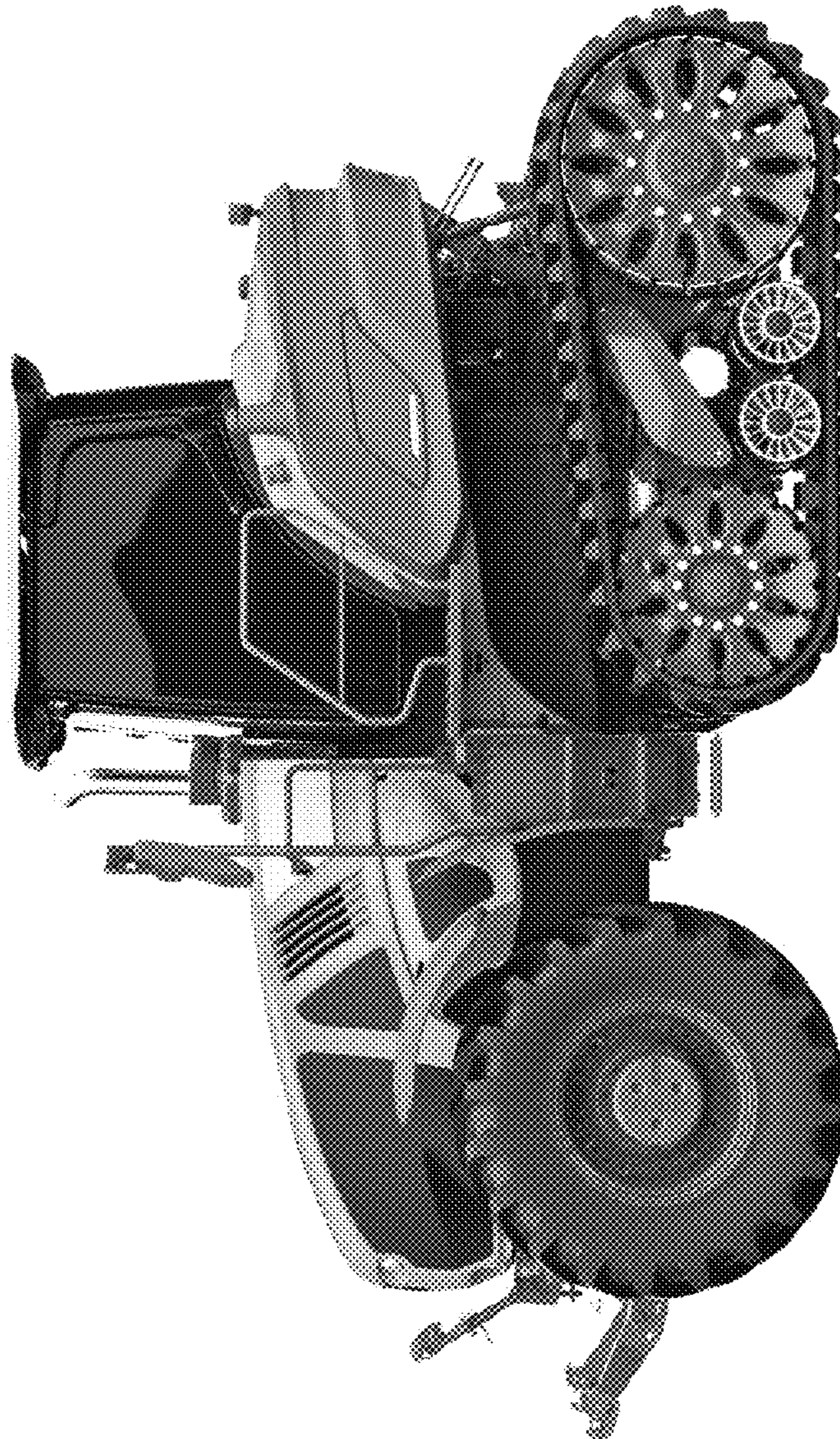


FIG. 6

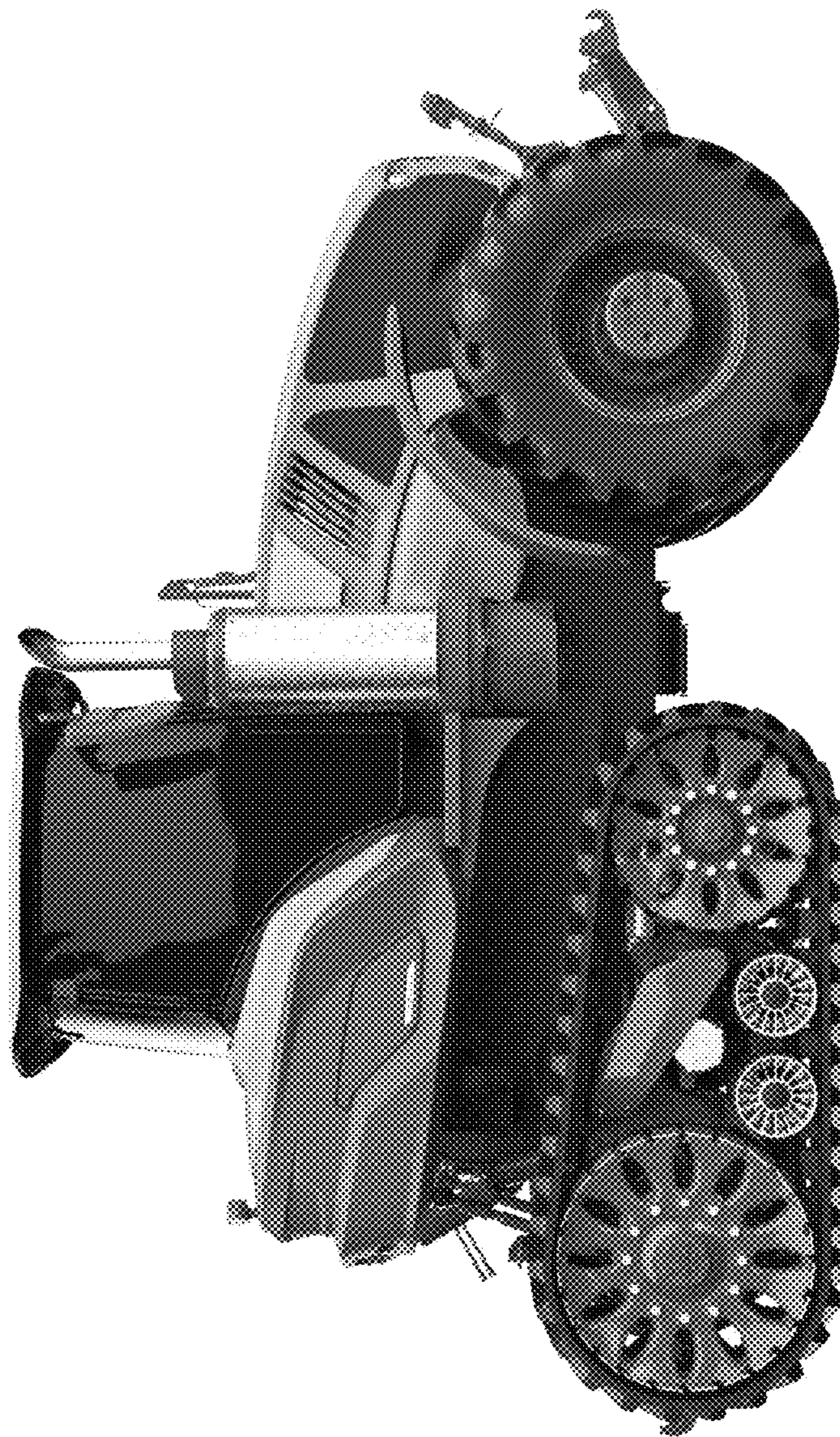


FIG. 7

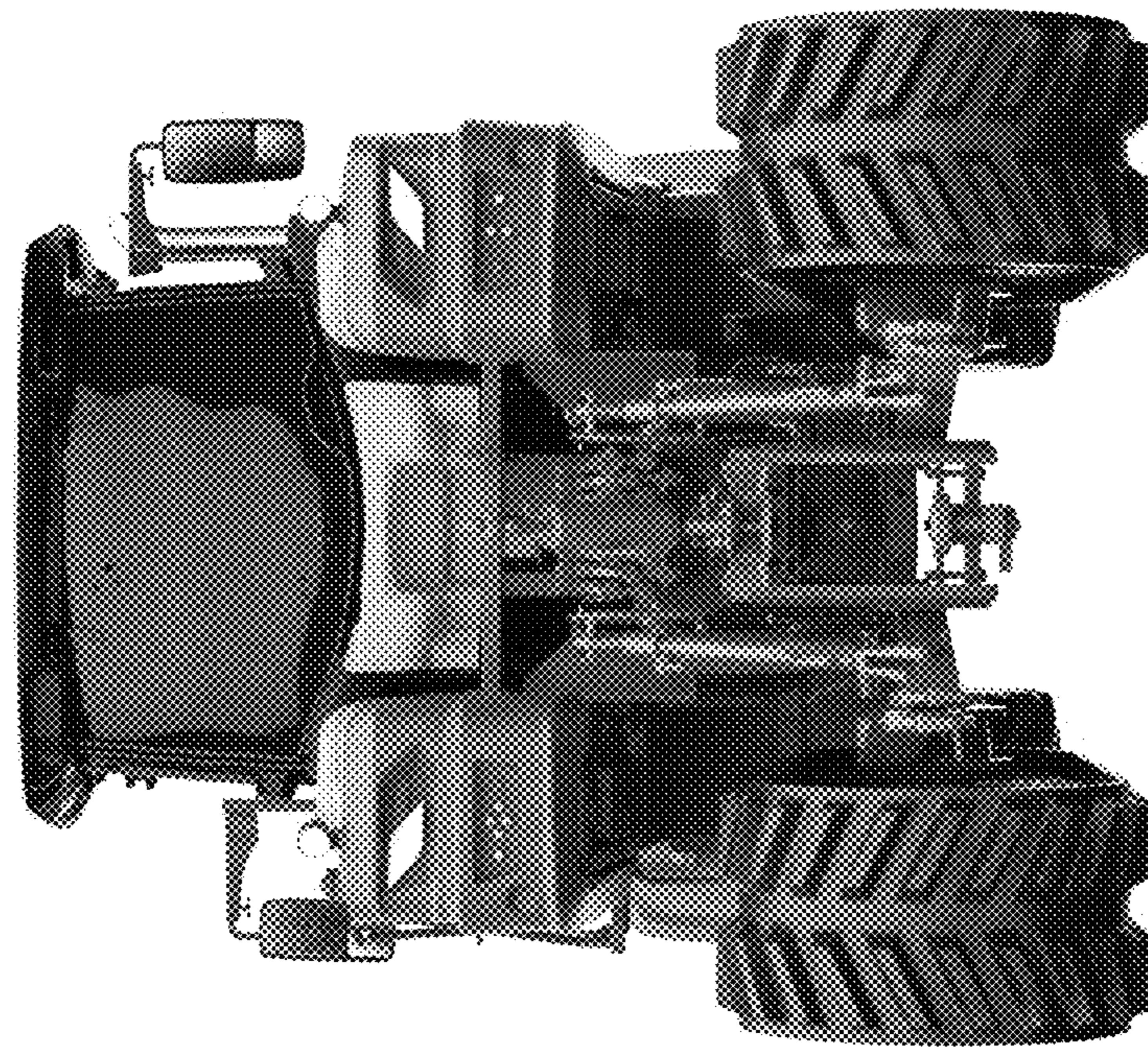


FIG. 8