



US00D849057S

(12) **United States Design Patent**
Jörißen et al.

(10) **Patent No.:** **US D849,057 S**

(45) **Date of Patent:** **** May 21, 2019**

(54) **COMPRESSOR**

(71) Applicant: **PARI GmbH Spezialisten für effektive Inhalation**, Starnberg (DE)

(72) Inventors: **Alina Jörißen**, München (DE); **Vincent Tredez**, München (DE); **Anne Schlösser**, Feldafing (DE)

(73) Assignee: **PARI GMBH SPEZIALISTEN FÜR EFFEKTIVE INHALATION**, Starnberg (DE)

(**) Term: **15 Years**

(21) Appl. No.: **29/633,033**

(22) Filed: **Jan. 11, 2018**

(30) **Foreign Application Priority Data**

Jul. 13, 2017 (EP) 004102010

(51) **LOC (11) Cl.** **15-02**

(52) **U.S. Cl.**
USPC **D15/9; D15/7**

(58) **Field of Classification Search**
USPC D15/7-9; D23/231, 232, 225; 417/60, 417/235, 265, 321, 355, 358, 363, 359, 417/410.1, 411, 415-416, 405, 900, 269, 417/539; 60/408, 412; 184/26-37; 415/140-147; 123/495, 509; 137/565.34
CPC F02M 37/04; F02M 37/14; F04B 53/92; F04B 1/005; F04D 13/06; F04D 29/22; F04D 29/046; F04D 29/2266
See application file for complete search history.

(56) **References Cited**

U.S. PATENT DOCUMENTS

D498,768 S * 11/2004 Romandy D15/9
D500,769 S * 1/2005 Montgomery D15/7

D588,612 S * 3/2009 Steinfels D15/7
D595,741 S * 7/2009 Dickertmann D15/7
D605,663 S * 12/2009 Hopper D15/7
D644,250 S * 8/2011 Barber D15/7
D649,163 S * 11/2011 Moormann D15/7
D687,074 S * 7/2013 Barack D15/7
D769,944 S * 10/2016 Sheedy D15/9
D786,939 S * 5/2017 Nelson D15/7
D808,437 S * 1/2018 Hubbard-Cummins D15/7
D830,415 S * 10/2018 Kennedy D15/7

* cited by examiner

Primary Examiner — T Chase Nelson

(74) *Attorney, Agent, or Firm* — McGuireWoods LLP

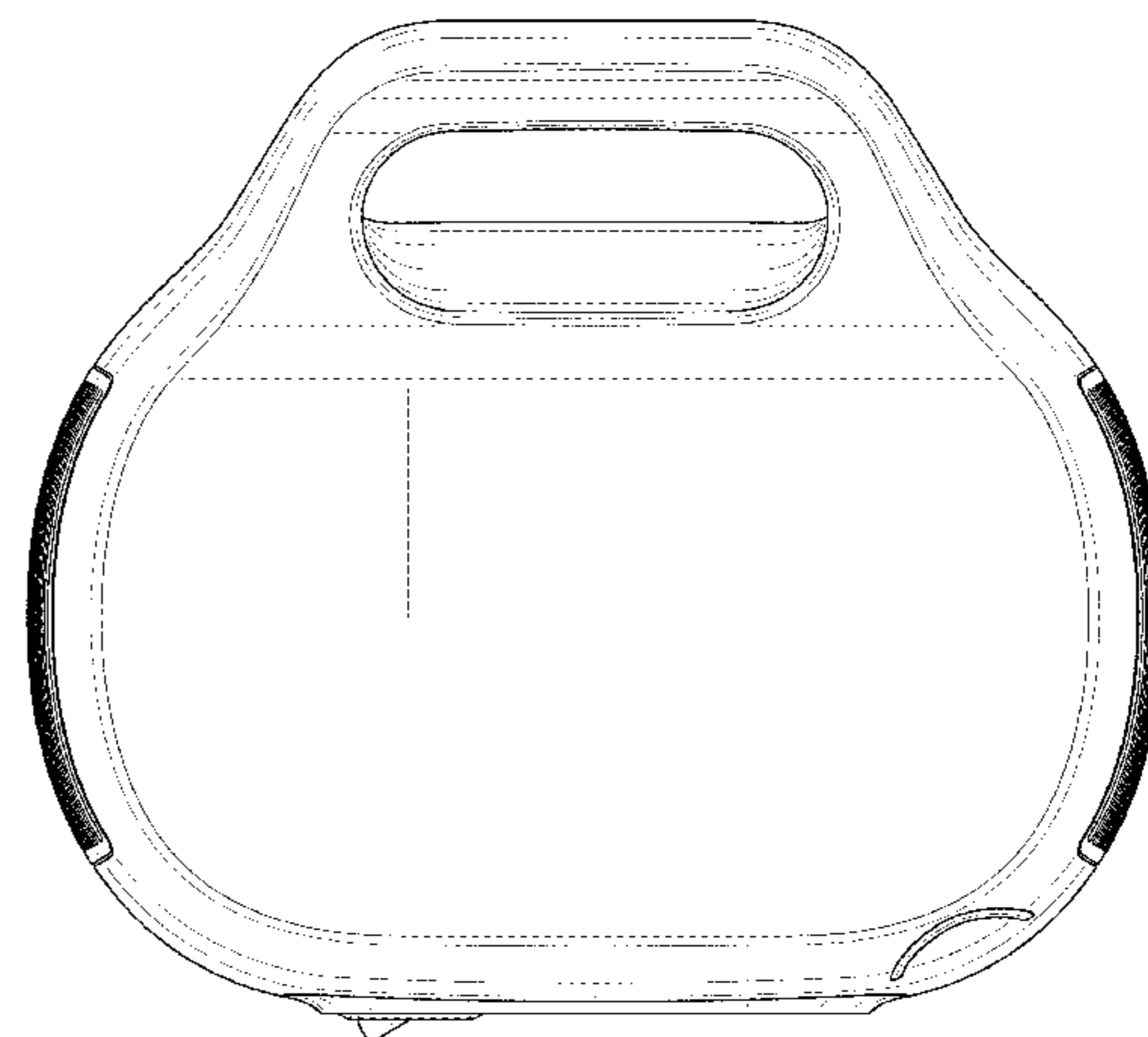
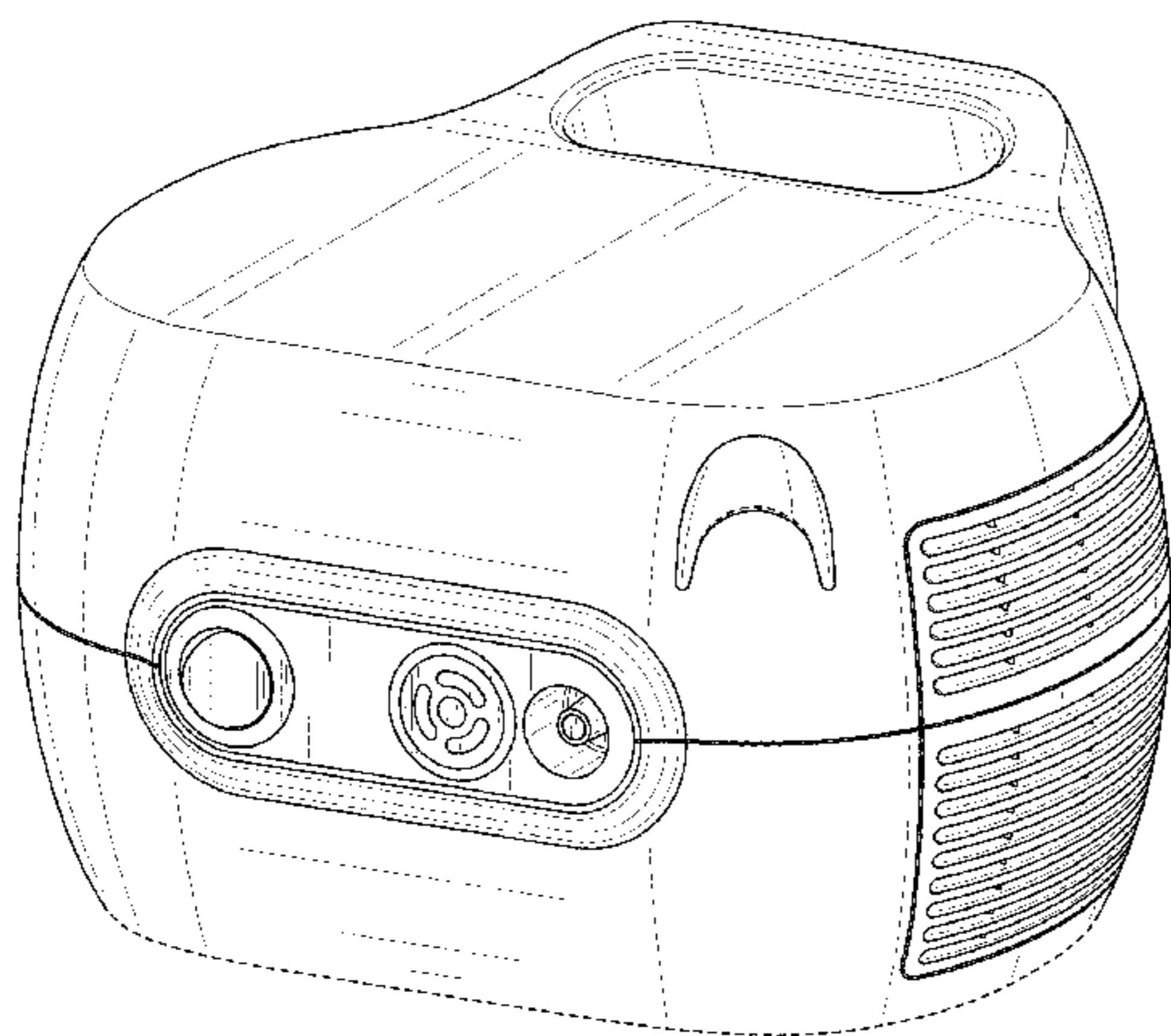
(57) **CLAIM**

We claim the ornamental design for a compressor, as shown and described.

DESCRIPTION

FIG. 1 is a right side perspective view of the compressor; FIG. 2 is a left side view of the compressor shown in FIG. 1; FIG. 3 is a top view of the compressor shown in FIG. 1; FIG. 4 is a right side view of the compressor shown in FIG. 1; FIG. 5 is a rear view of the compressor shown in FIG. 1; FIG. 6 is a bottom view of the compressor shown in FIG. 1; and, FIG. 7 is a front view of the compressor shown in FIG. 1. The broken lines are included for the purpose of illustrating portions of the compressor that form no part of the claimed design.

1 Claim, 7 Drawing Sheets



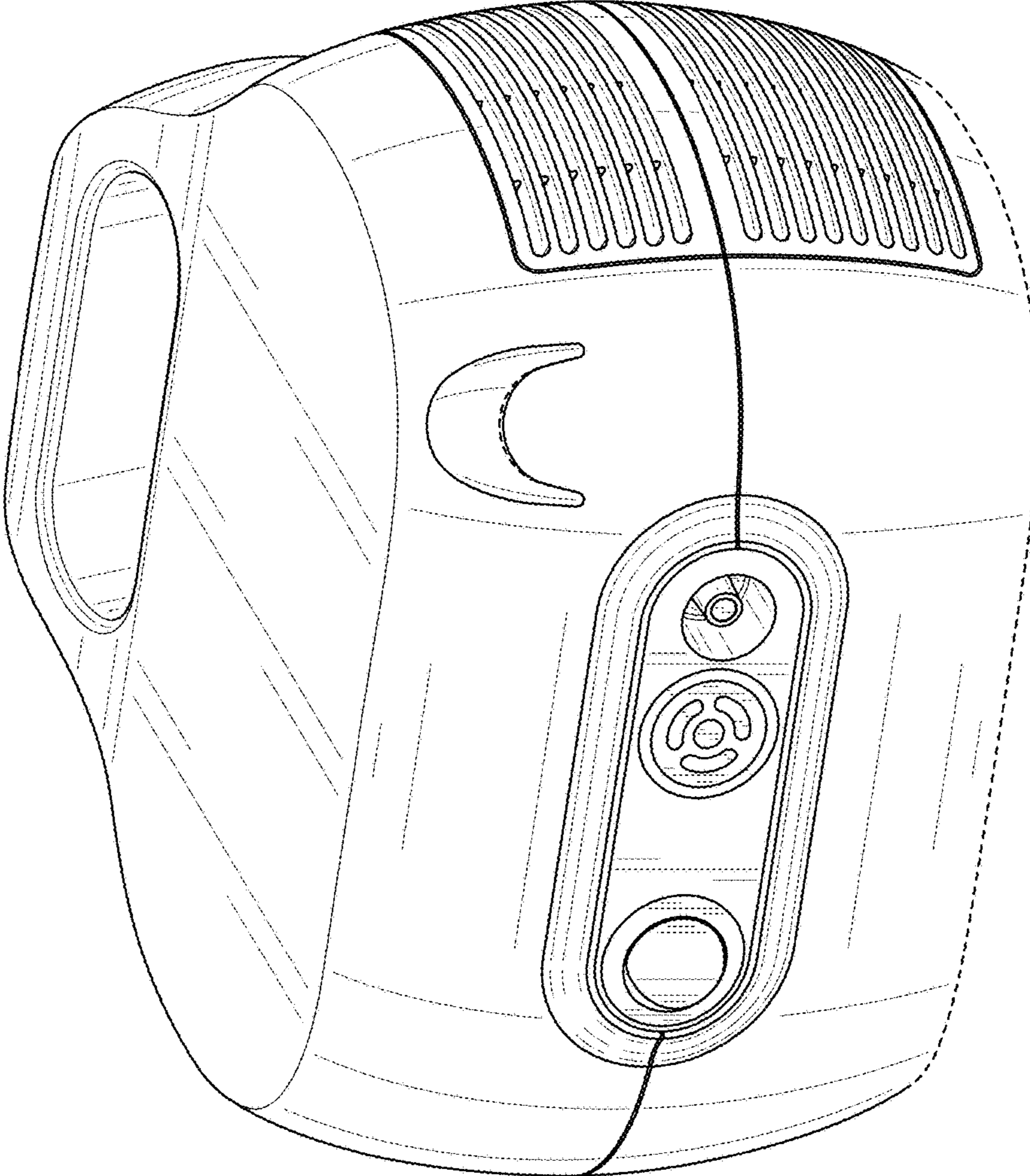


FIG. 1

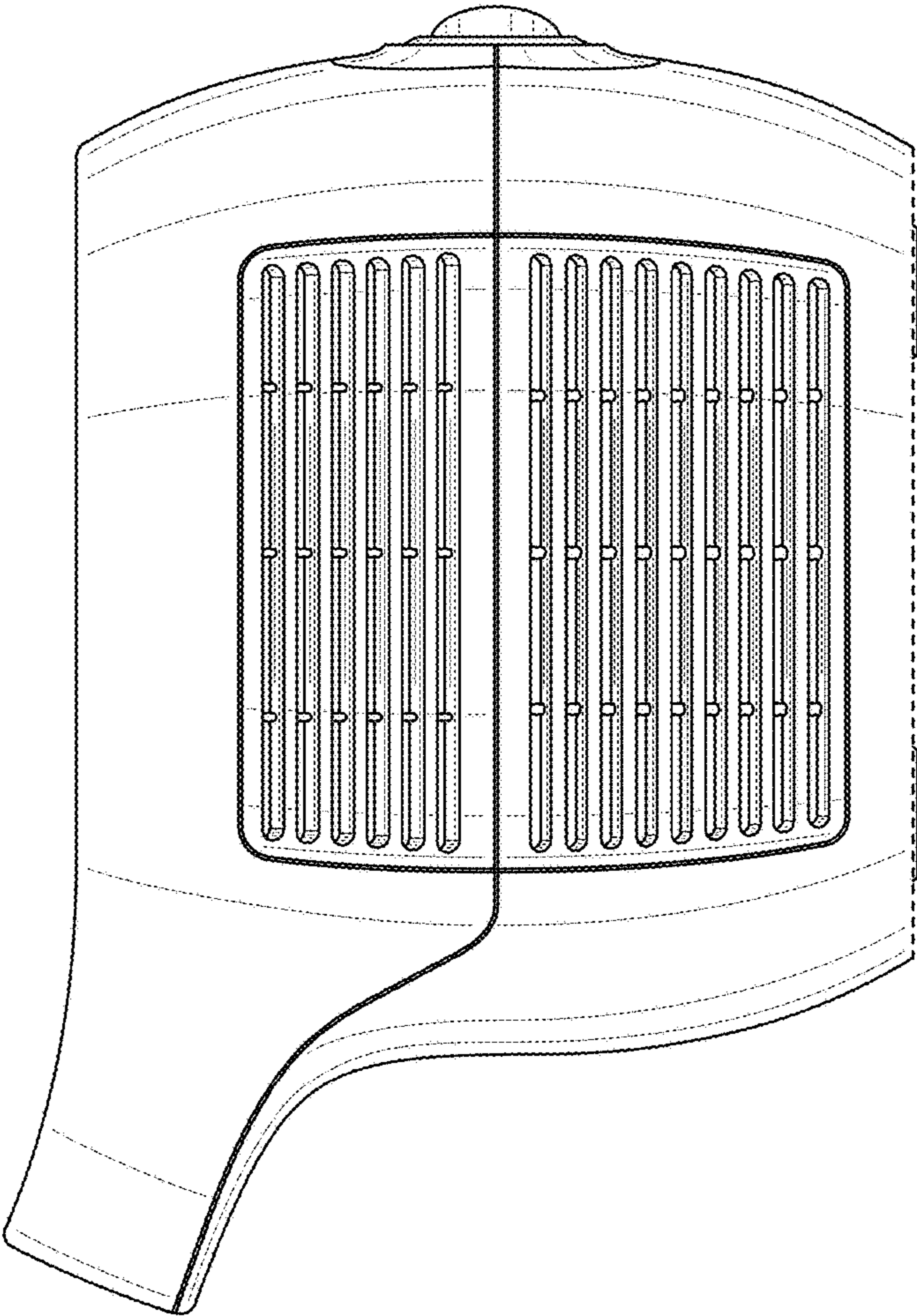


FIG. 2

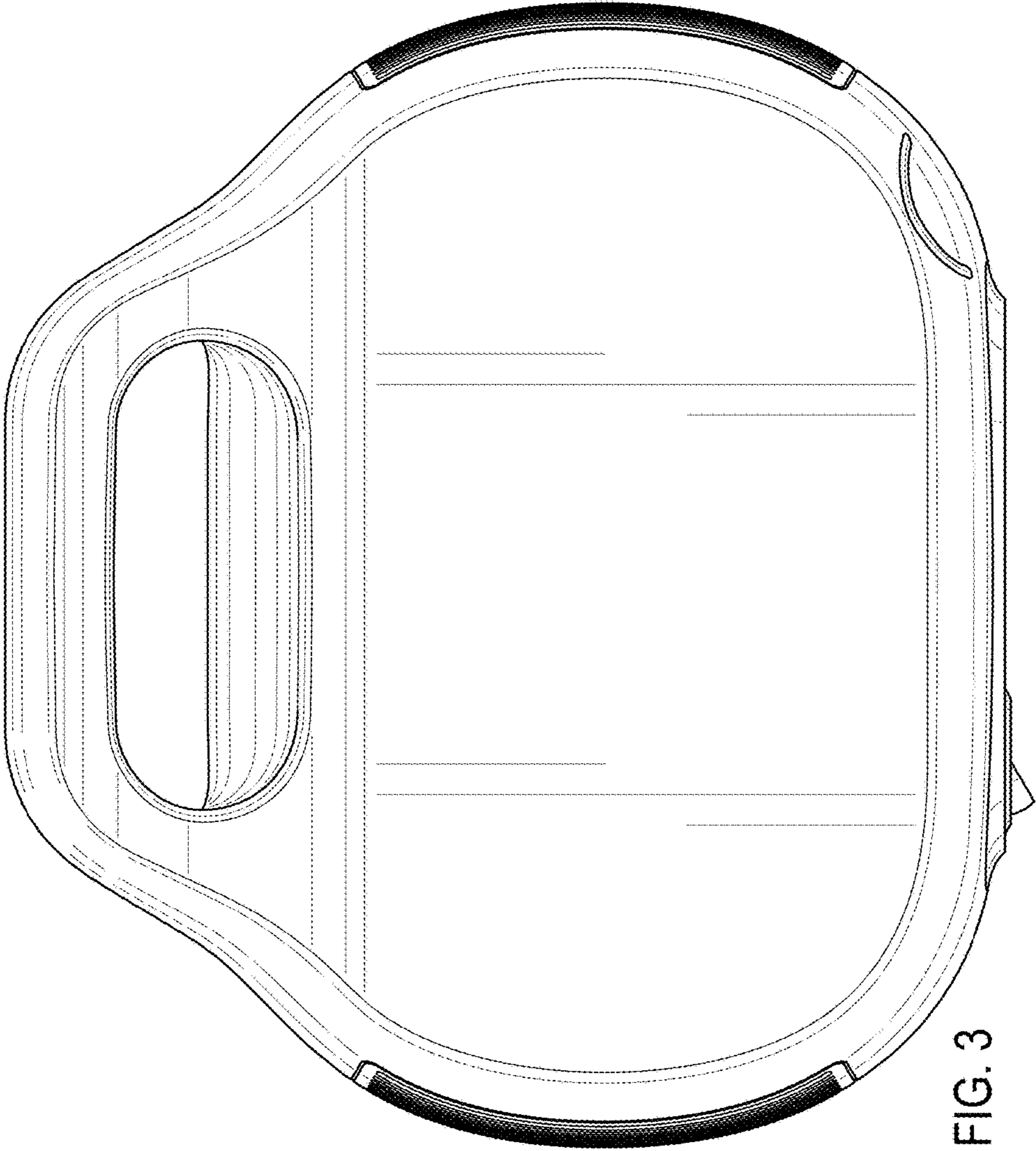


FIG. 3

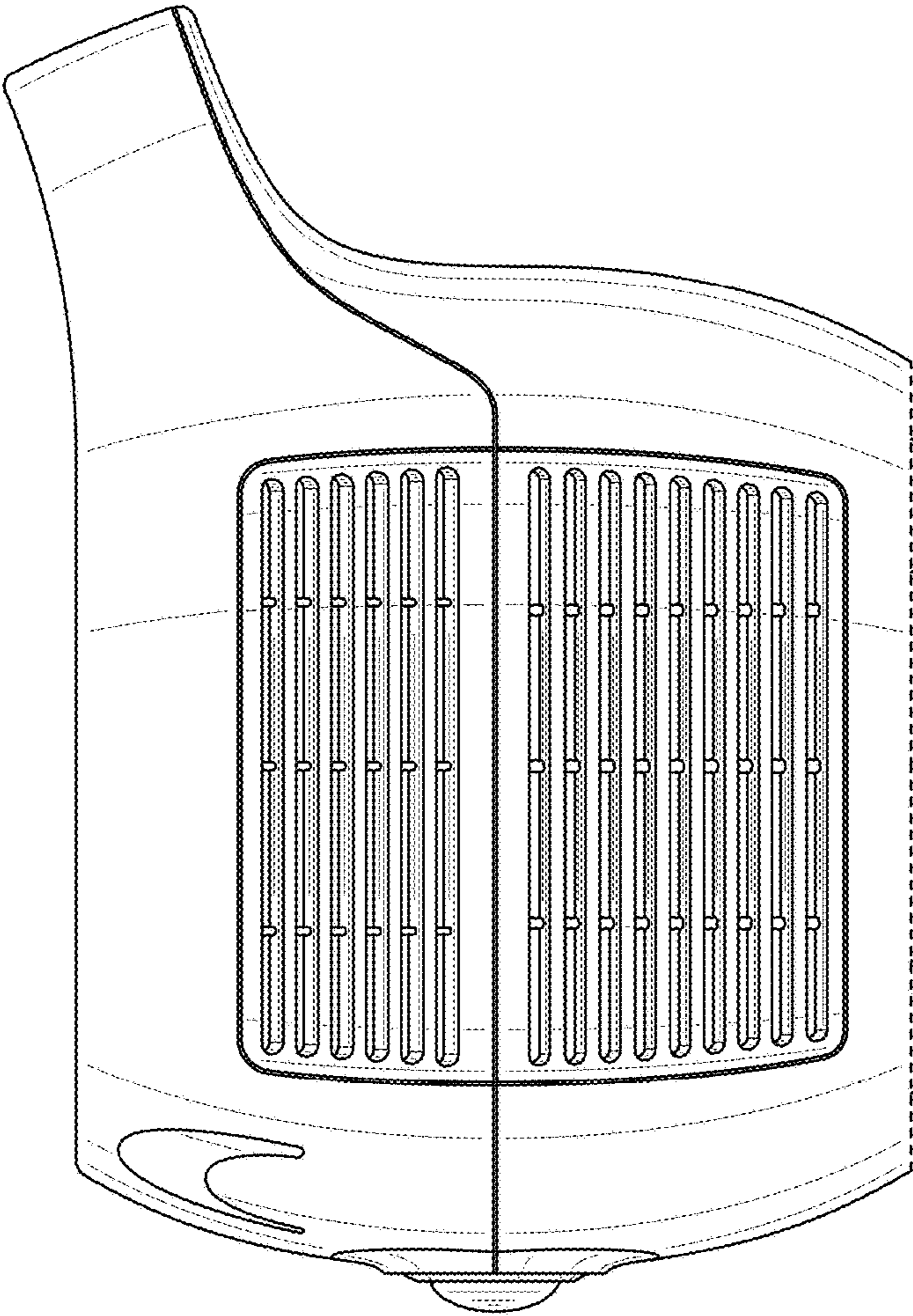


FIG. 4

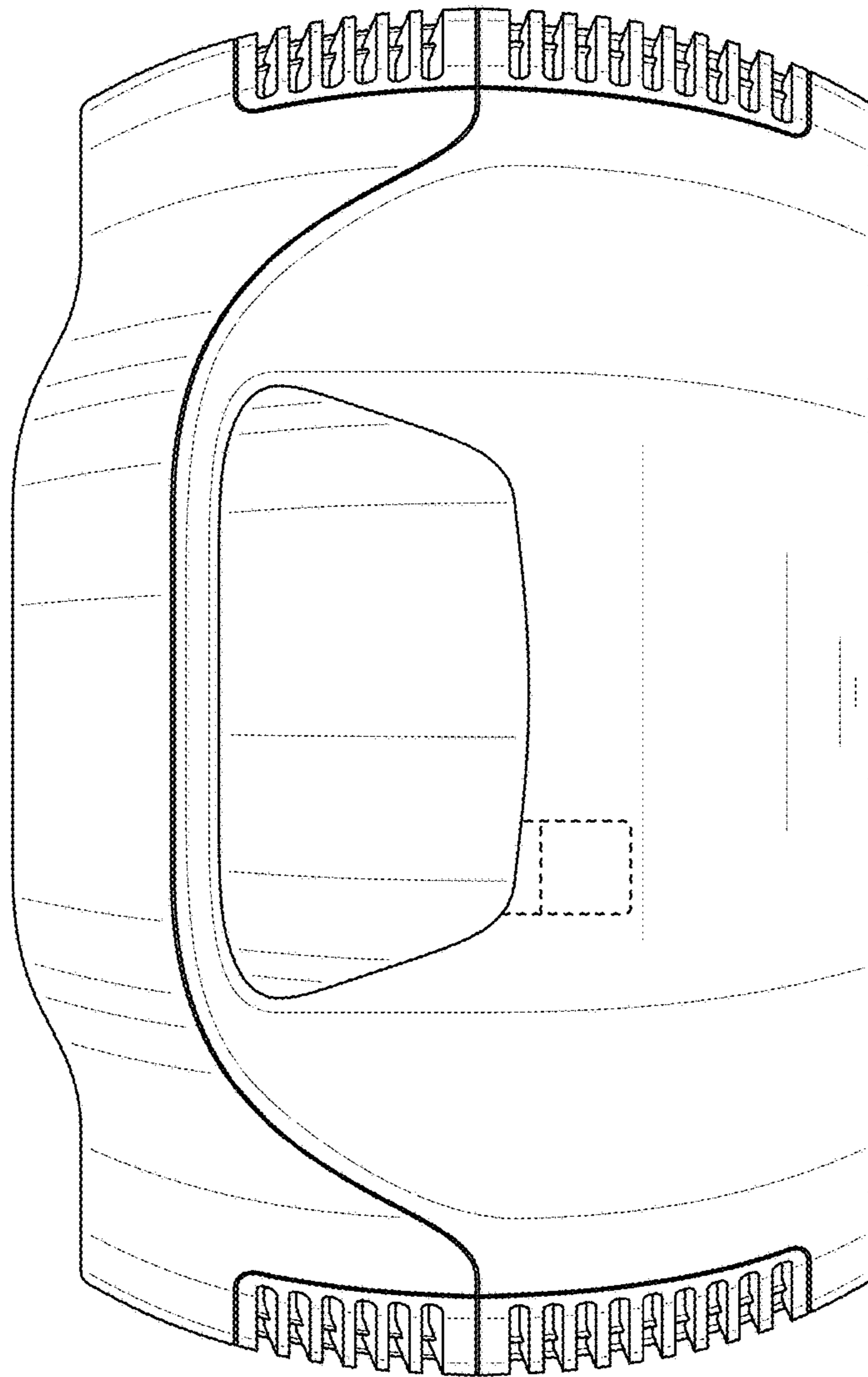


FIG. 5

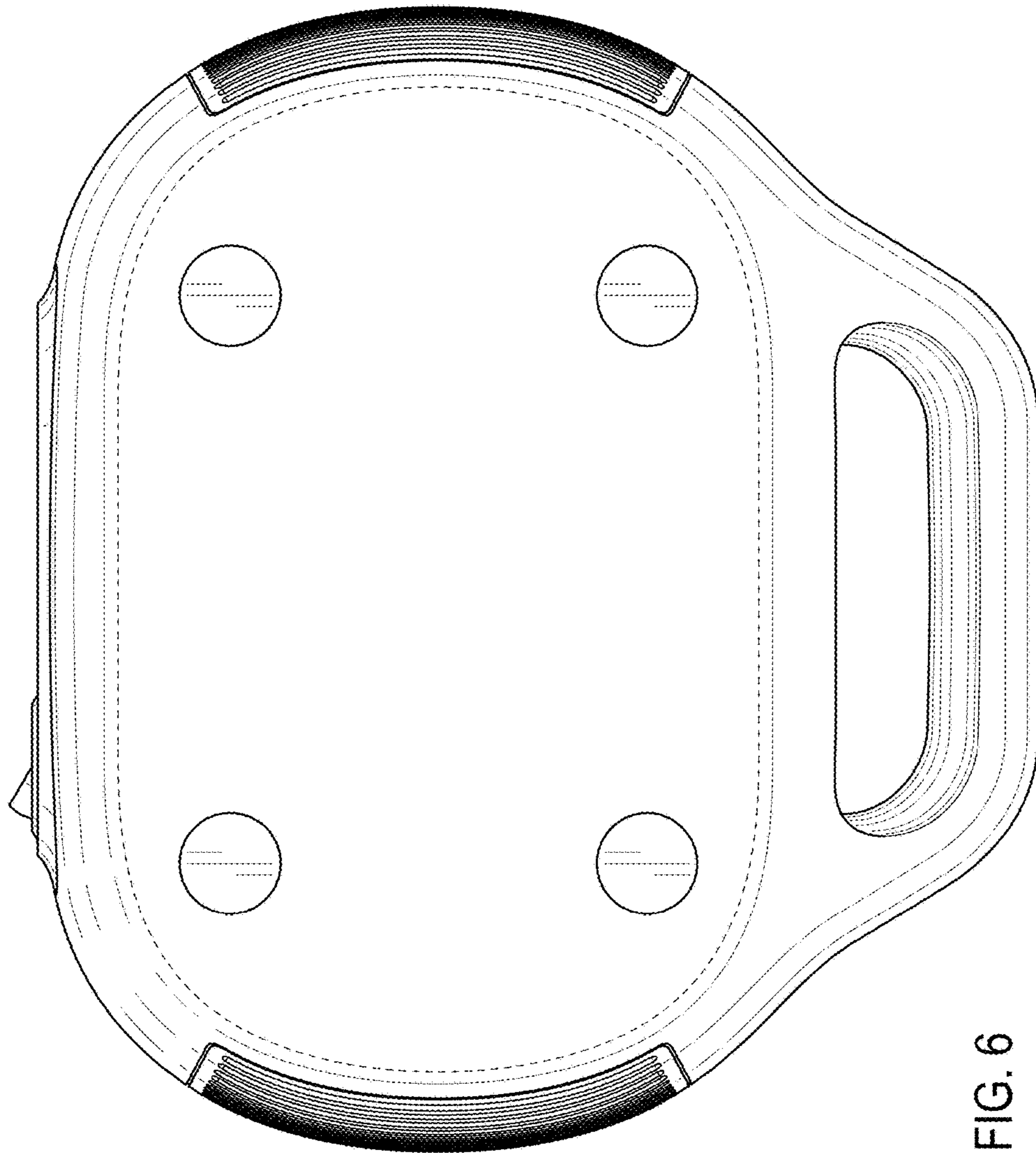


FIG. 6

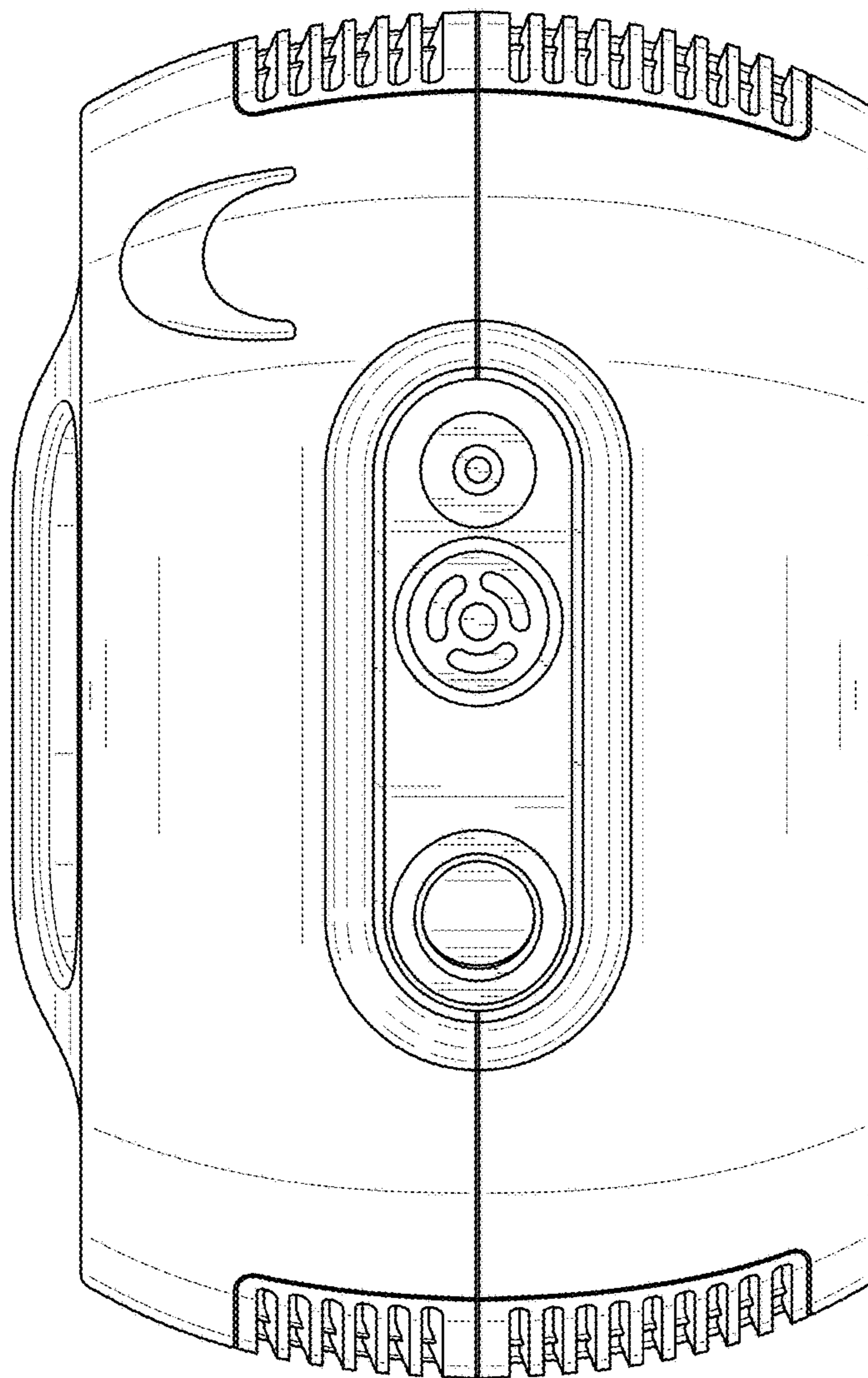


FIG. 7