



US00D849056S

(12) **United States Design Patent**
Jörißen et al.

(10) **Patent No.:** **US D849,056 S**

(45) **Date of Patent:** **** May 21, 2019**

(54) **COMPRESSOR**

(71) Applicant: **PARI GmbH Spezialisten für effektive Inhalation**, Starnberg (DE)

(72) Inventors: **Alina Jörißen**, München (DE); **Vincent Tredez**, München (DE); **Anne Schlösser**, Feldafing (DE)

(73) Assignee: **PARI GMBH SPEZIALISTEN FÜR EFFEKTIVE INHALATION**, Starnberg (DE)

(**) Term: **15 Years**

(21) Appl. No.: **29/633,021**

(22) Filed: **Jan. 11, 2018**

(30) **Foreign Application Priority Data**

Jul. 13, 2017 (EP) 004102010

(51) **LOC (11) Cl.** **15-02**

(52) **U.S. Cl.**

USPC **D15/9**; D15/7

CPC **H04M 3/436** (2013.01); **G06F 3/0482** (2013.01); **G06F 3/04842** (2013.01); **G06Q 10/06** (2013.01); **G06Q 10/06311** (2013.01); **G06Q 30/0601** (2013.01); **H04L 51/046** (2013.01); **H04L 51/10** (2013.01); **H04L 65/60** (2013.01); **H04L 67/10** (2013.01); **Y04S 10/54** (2013.01)

(58) **Field of Classification Search**

USPC D15/7-9; D23/231, 232, 225; 417/60, 417/235, 265, 321, 355, 358, 363, 359, 417/410.1, 411, 415-416, 405, 900, 269, 417/539; 60/408, 412; 184/26-37; 415/140-147; 123/495, 509; 137/565.34

CPC F02M 37/04; F02M 37/14; F04B 53/92; F04B 1/005; F04D 13/06; F04D 29/22; F04D 29/046; F04D 29/2266

See application file for complete search history.

(56) **References Cited**

U.S. PATENT DOCUMENTS

D398,011 S *	9/1998	Wang	D15/9
D514,127 S *	1/2006	Christianson	D15/9
D601,590 S *	10/2009	Burnham	D15/7
D611,962 S *	3/2010	Schneider	D15/9
D643,857 S *	8/2011	Wu	D15/7
D657,383 S *	4/2012	Wang	D15/7

* cited by examiner

Primary Examiner — T Chase Nelson

(74) *Attorney, Agent, or Firm* — McGuireWoods LLP

(57) **CLAIM**

We claim the ornamental design for a compressor, as shown and described.

DESCRIPTION

FIG. 1 is a right front perspective view of the compressor shown in FIG. 1;

FIG. 2 is a left side view of the compressor shown in FIG. 1;

FIG. 3 is a top view of the compressor shown in FIG. 1;

FIG. 4 is a right side view of the compressor shown in FIG. 1;

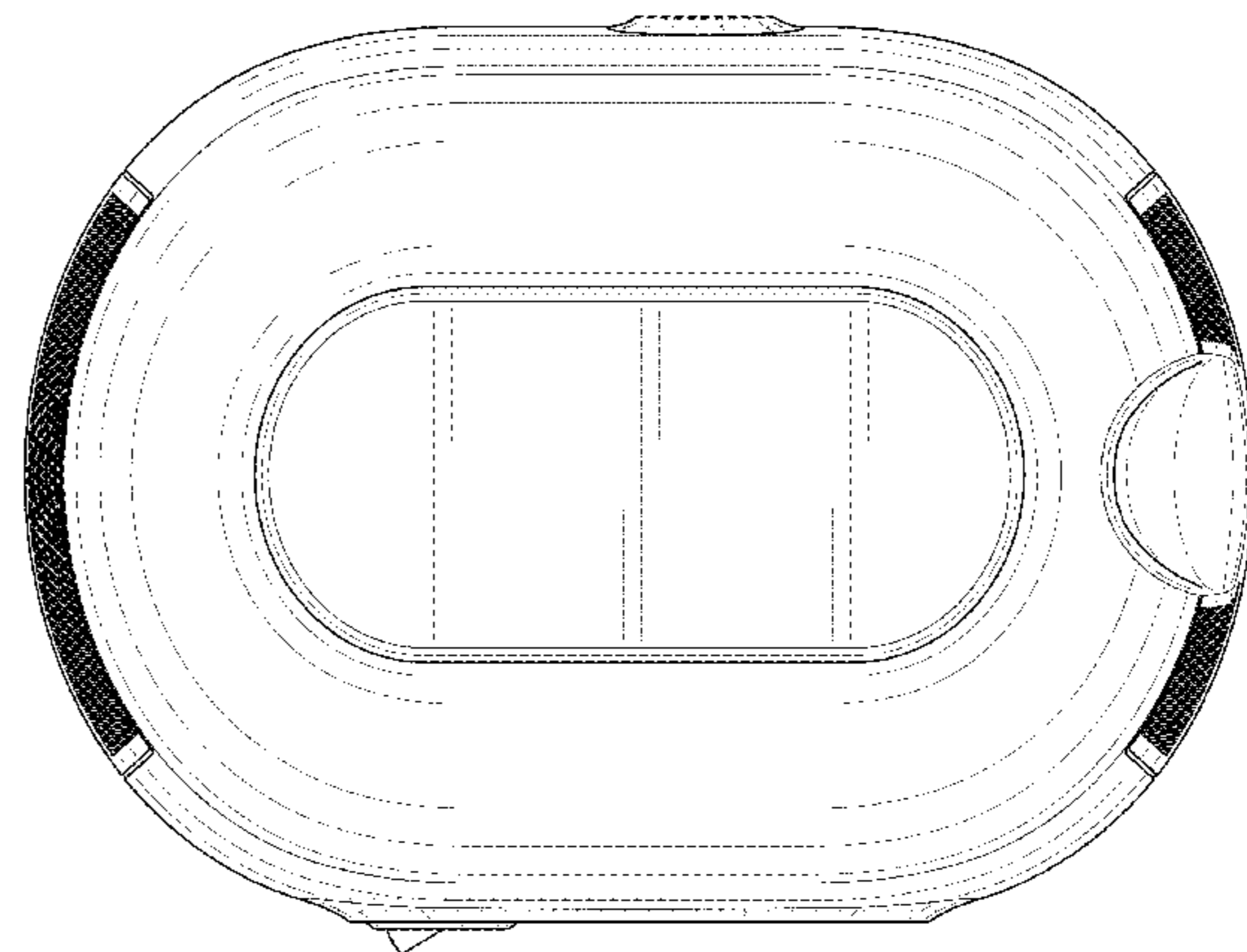
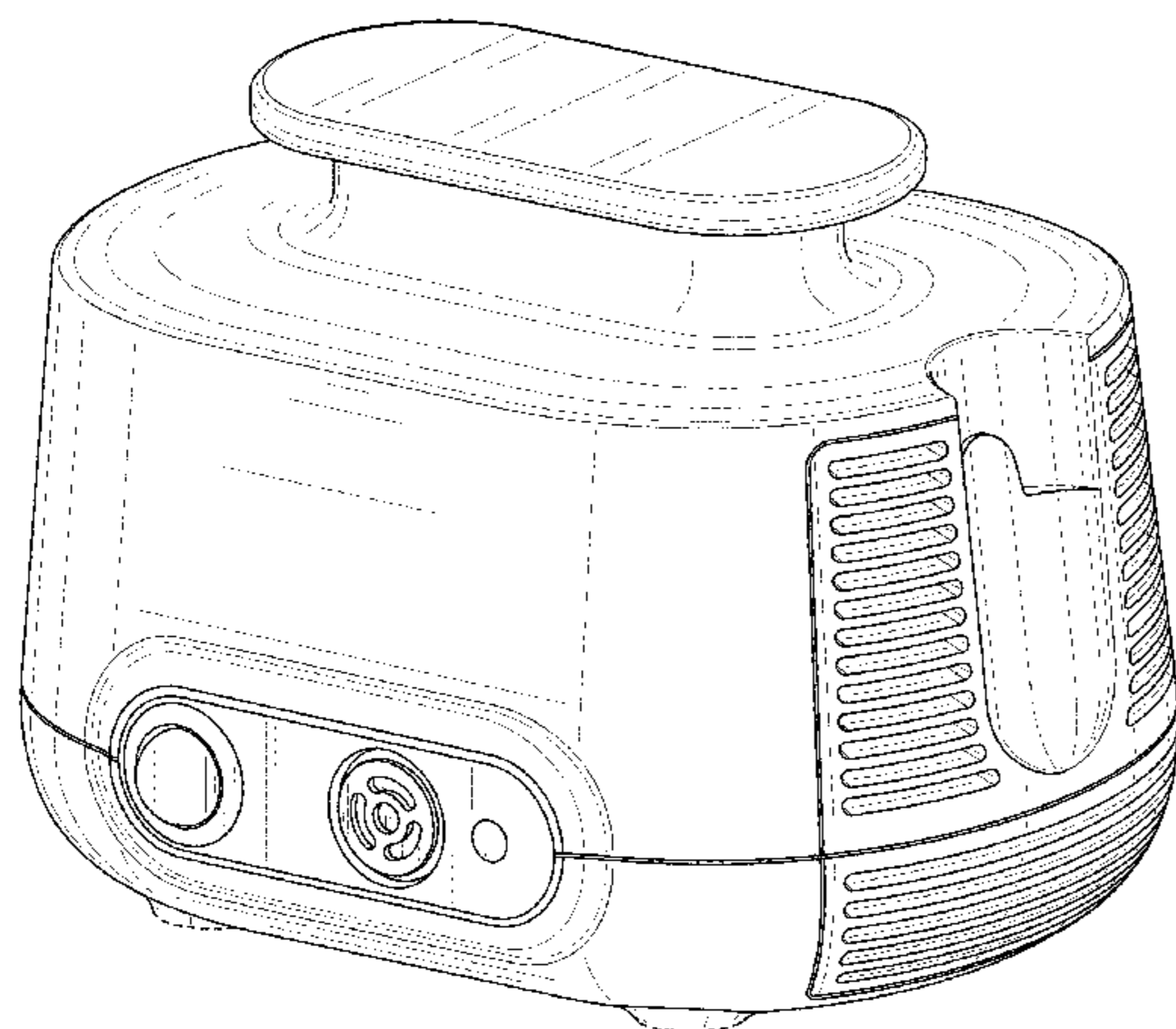
FIG. 5 is a rear view of the compressor shown in FIG. 1;

FIG. 6 is a bottom view of the compressor shown in FIG. 1; and,

FIG. 7 is a front view of the compressor shown in FIG. 1.

The broken lines are included for the purpose of illustrating portions of the compressor that form no part of the claimed design.

1 Claim, 7 Drawing Sheets



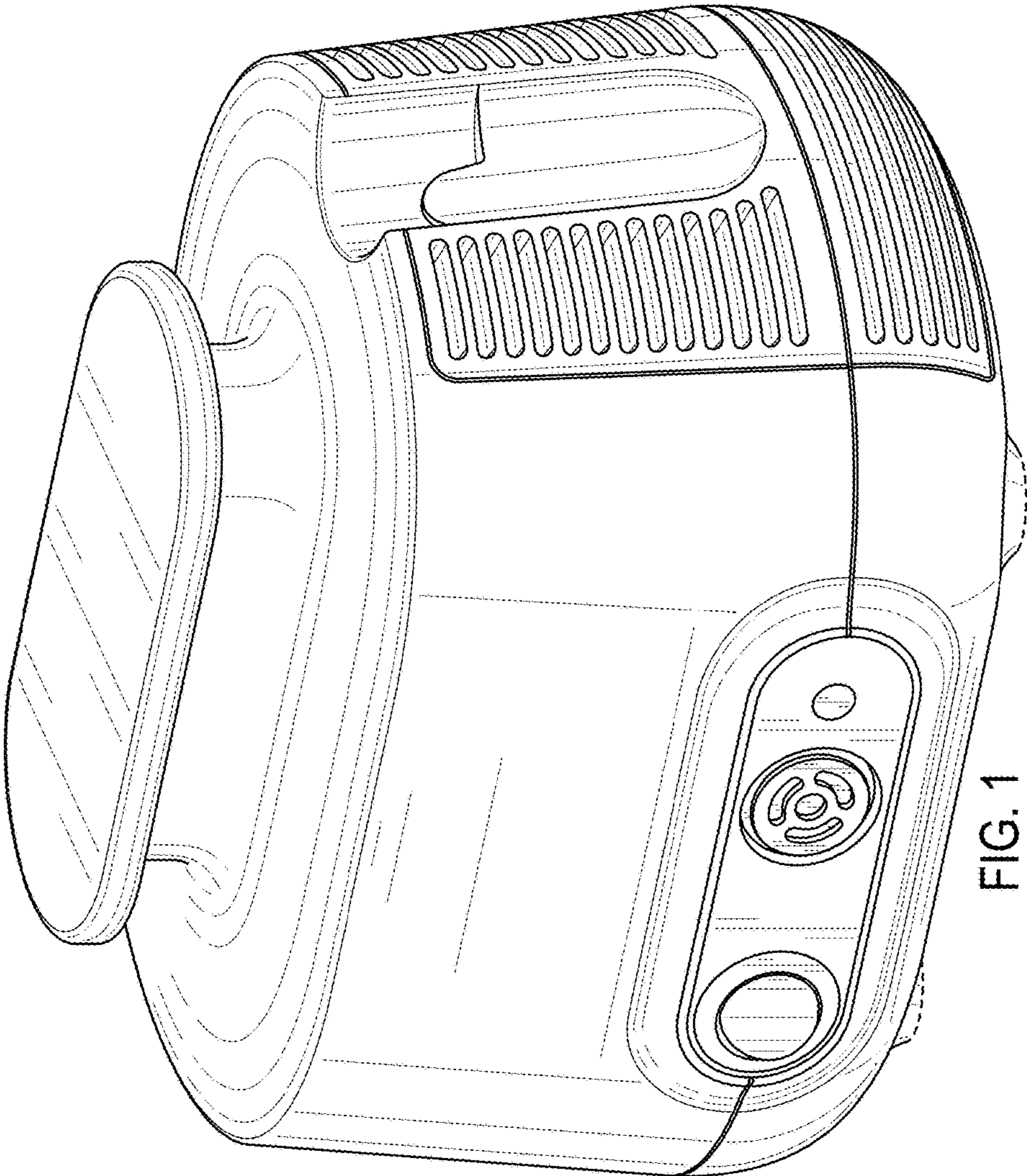


FIG. 1

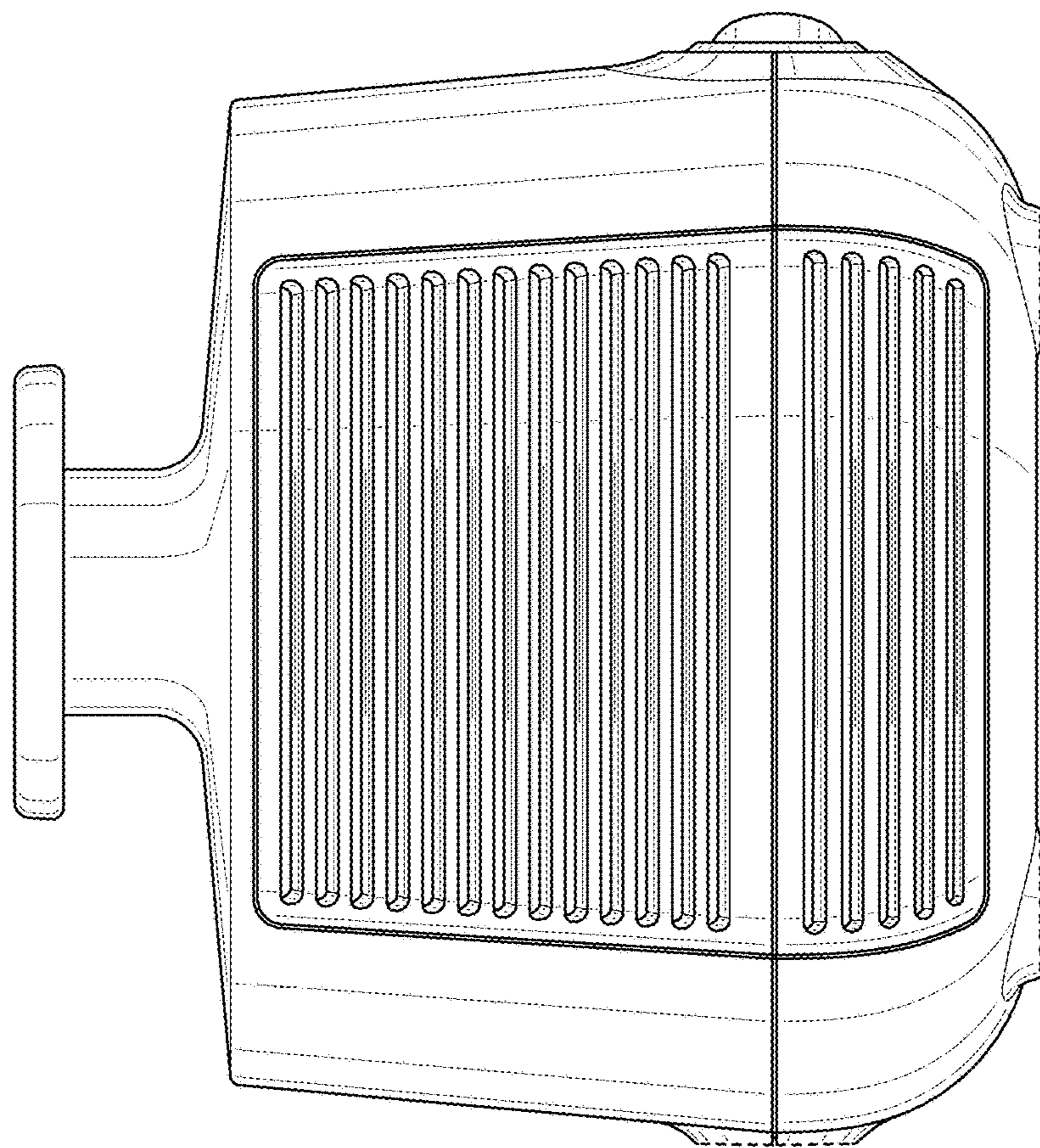


FIG. 2

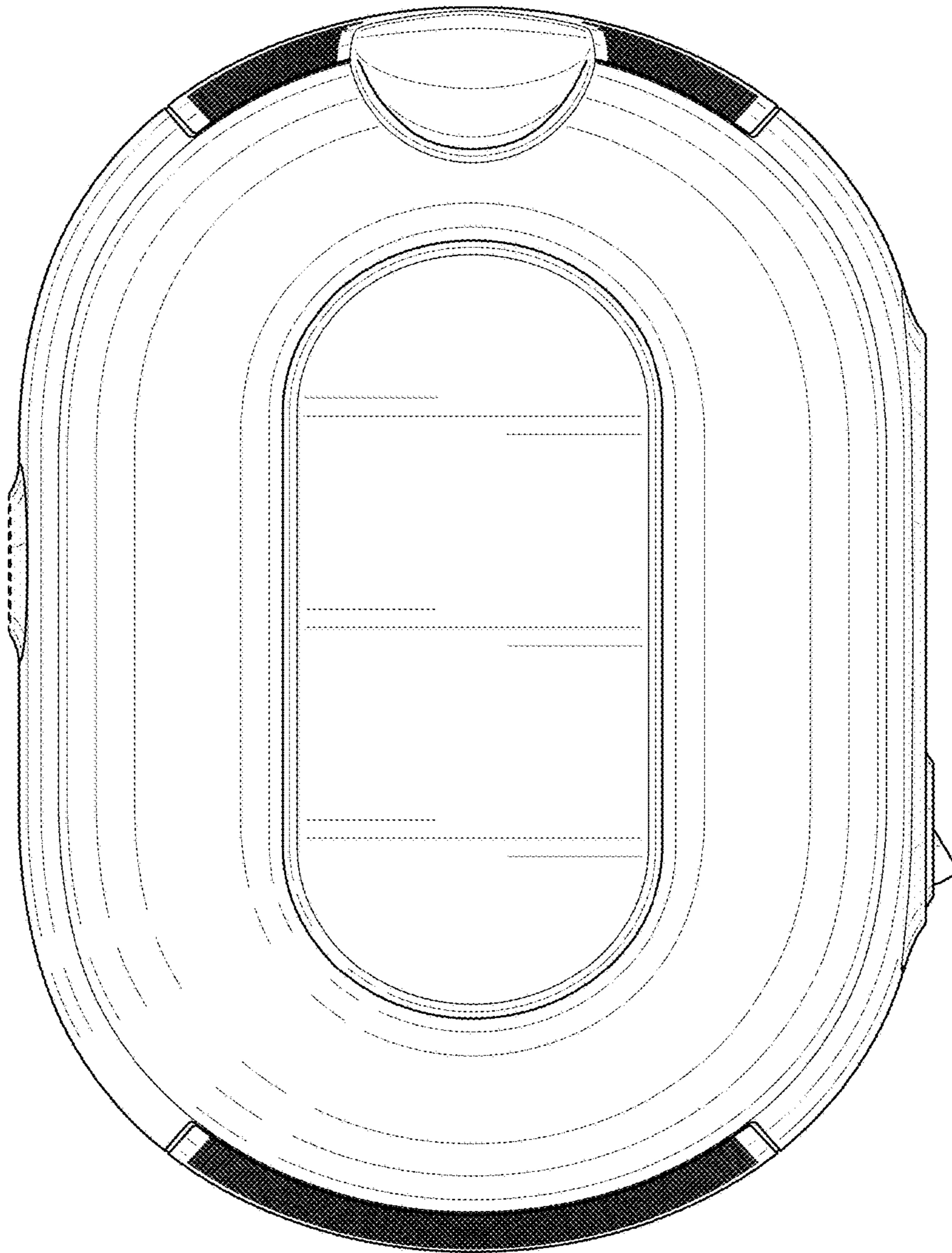


FIG. 3

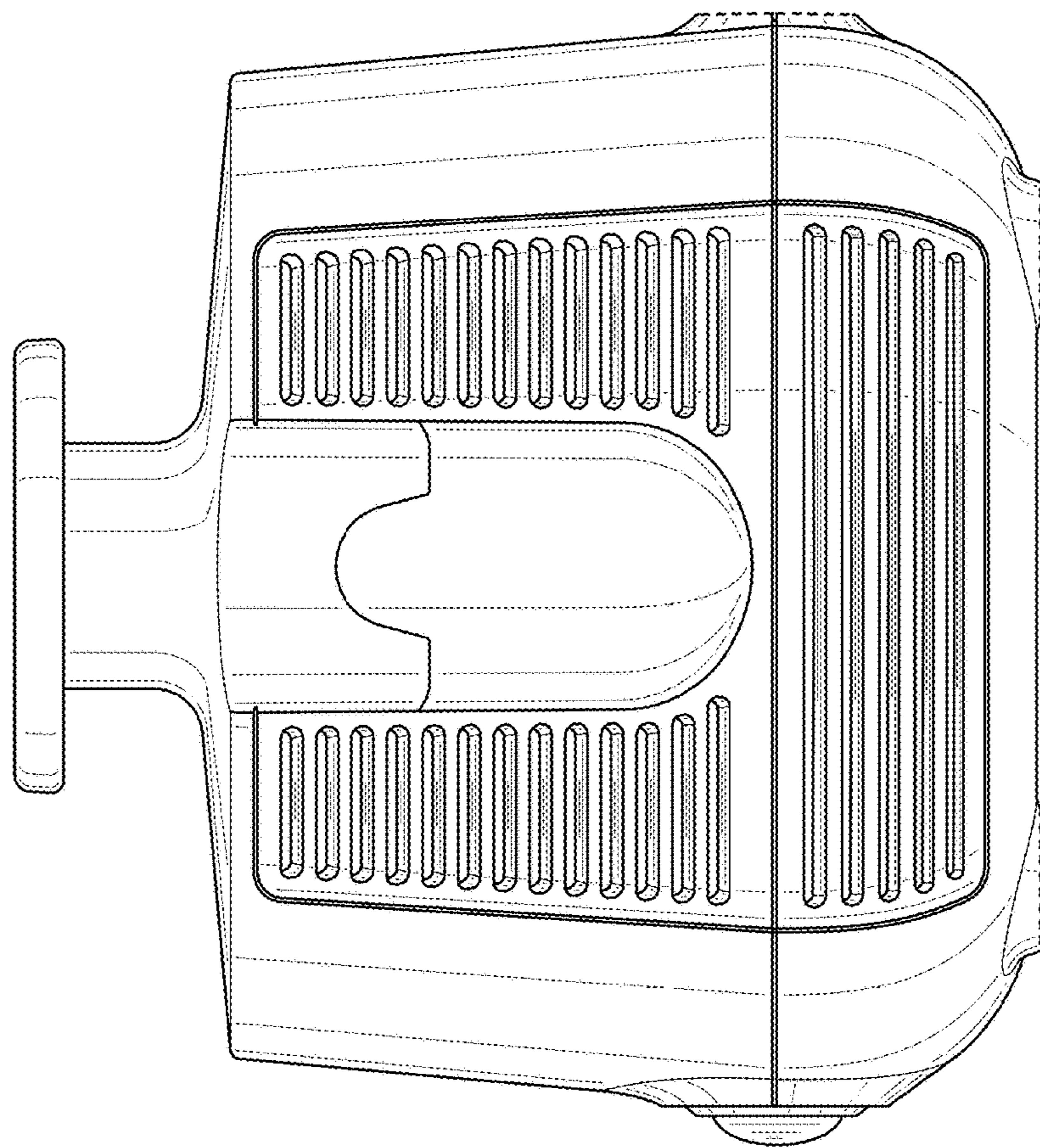


FIG. 4

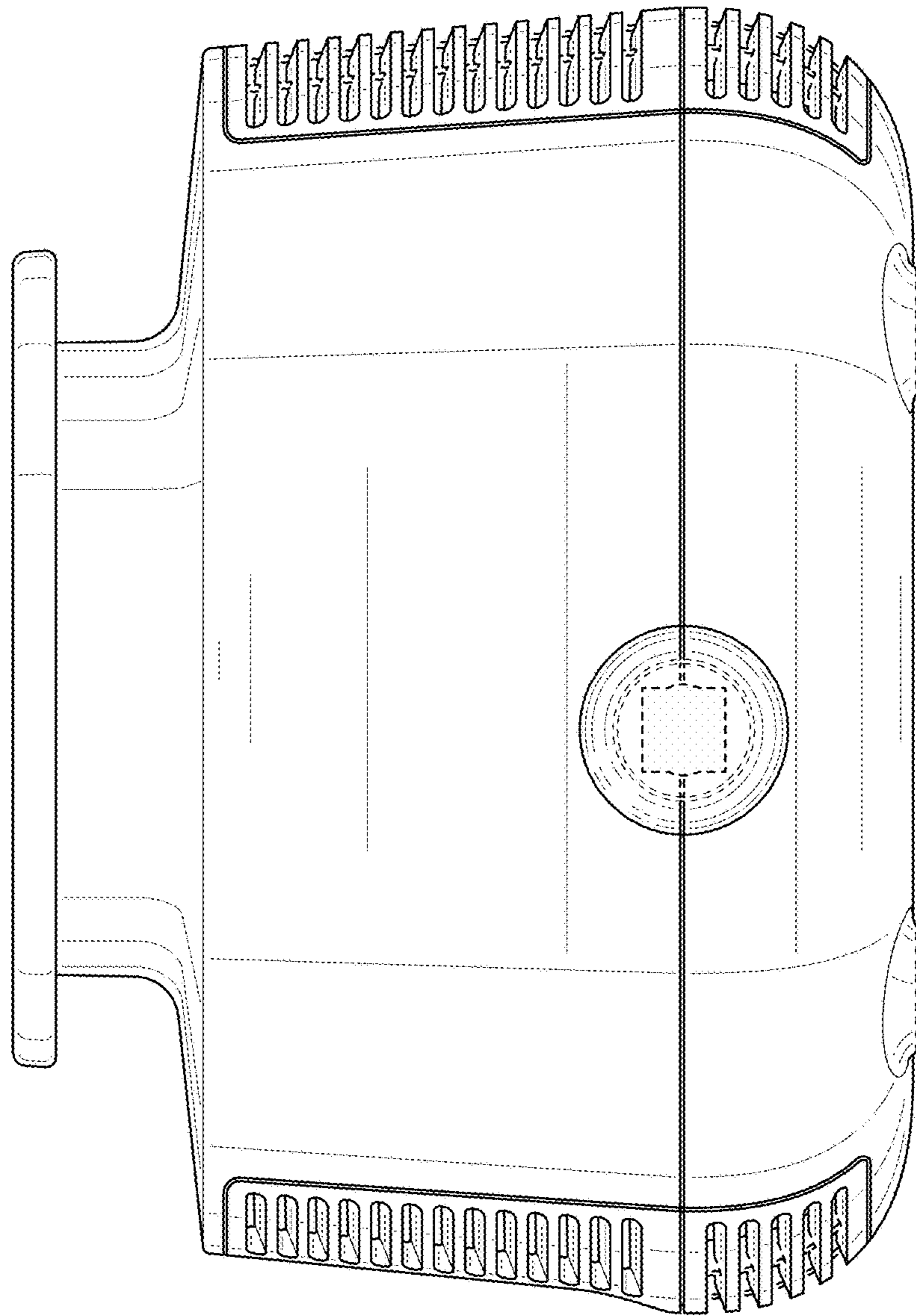


FIG. 5

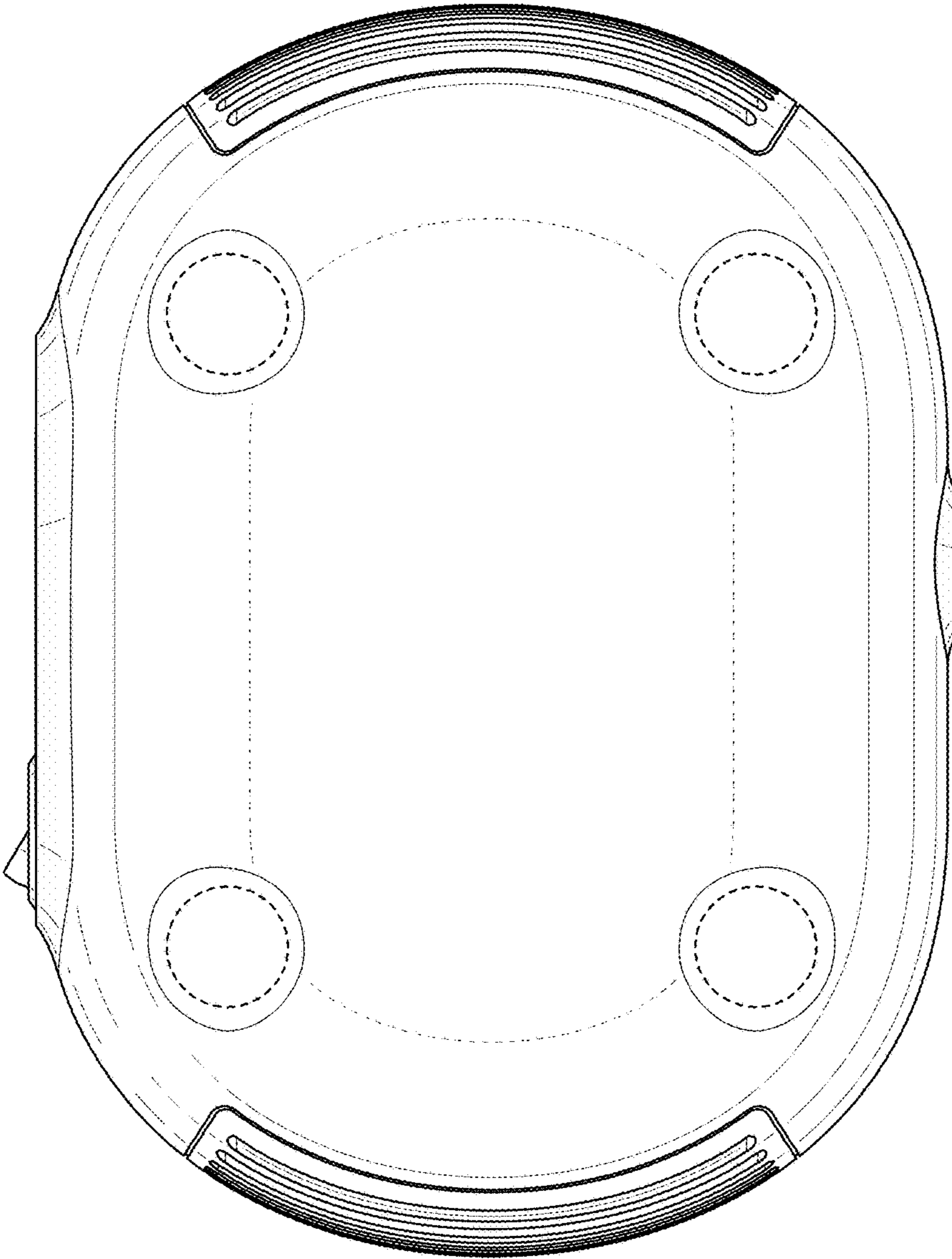


FIG. 6

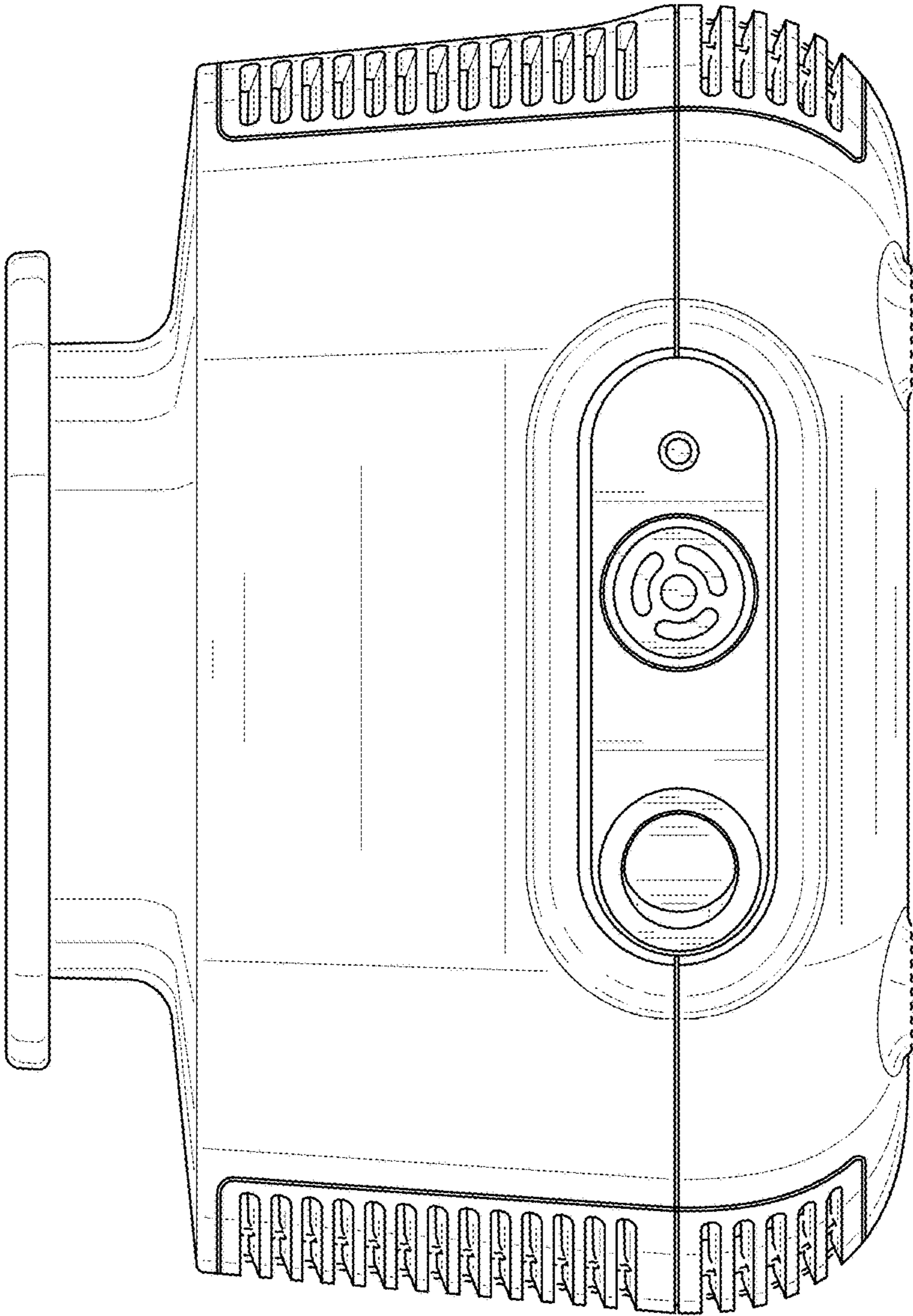


FIG. 7