



US00D849055S

(12) **United States Design Patent**  
**Kneip**

(10) **Patent No.:** **US D849,055 S**

(45) **Date of Patent:** **\*\* May 21, 2019**

(54) **ENGINE CAP**

(71) Applicant: **ebm-papst Landshut GmbH**, Landshut (DE)

(72) Inventor: **Sven Kneip**, Marzling (DE)

(73) Assignee: **EBM-PAPST LANDSHUT GMBH**, Landshut (DE)

(\*\*) Term: **15 Years**

(21) Appl. No.: **29/615,829**

(22) Filed: **Aug. 31, 2017**

(30) **Foreign Application Priority Data**

Mar. 2, 2017 (EP) ..... 003781038-0001

(51) **LOC (11) Cl.** ..... **15-01**

(52) **U.S. Cl.**  
USPC ..... **D15/5**

(58) **Field of Classification Search**  
USPC ..... D13/112, 113, 114, 122, 184, 199;  
D15/5  
CPC ..... H02K 5/06; H02K 5/225; H02K 11/33;  
H02K 9/14; H02K 7/1025; H02K  
7/20918; H02K 5/00; H02K 5/02; H02K  
5/04; H02K 5/08

See application file for complete search history.

(56) **References Cited**

**U.S. PATENT DOCUMENTS**

D701,299 S \* 3/2014 Oba ..... D23/370  
2011/0043061 A1\* 2/2011 Nakamura ..... B06B 1/16  
310/81

2011/0109181 A1\* 5/2011 Ohshima ..... B06B 1/16  
310/81  
2015/0381006 A1\* 12/2015 Allen ..... H02K 1/148  
417/423.7  
2015/0381022 A1\* 12/2015 Major ..... H02K 15/12  
310/45  
2016/0036289 A1\* 2/2016 Kawata ..... H02K 11/20  
180/446  
2016/0285339 A1\* 9/2016 Smith ..... H02K 11/30  
2017/0268521 A1\* 9/2017 Afshar ..... F04D 25/06

\* cited by examiner

*Primary Examiner* — T Chase Nelson

*Assistant Examiner* — Ania Aman

(74) *Attorney, Agent, or Firm* — Scully Scott Murphy and Presser

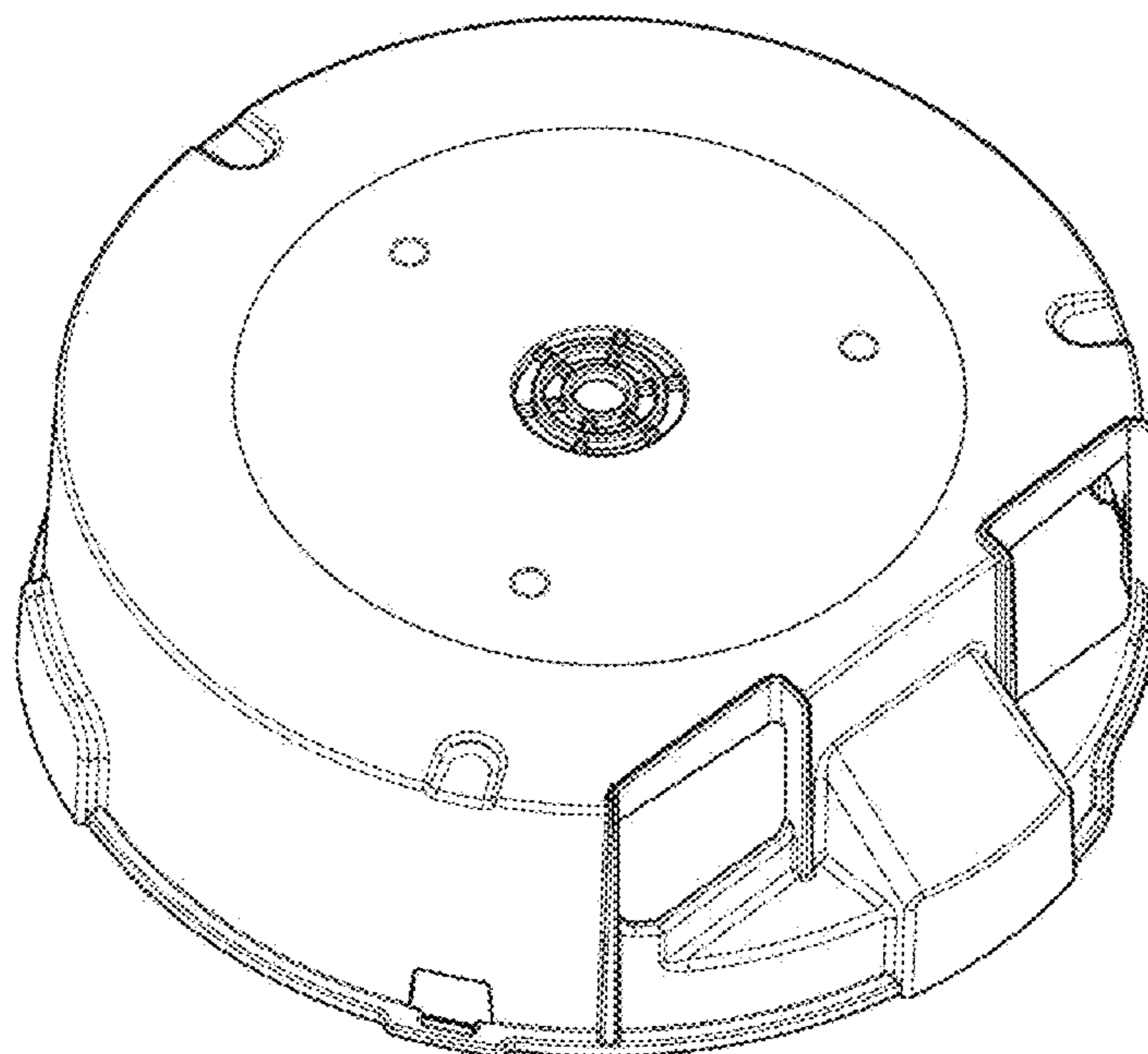
(57) **CLAIM**

The ornamental design for an engine cap, as shown and described.

**DESCRIPTION**

FIG. 1. is a perspective view of an engine cap showing my new design;  
FIG. 2 is a front elevation view thereof;  
FIG. 3 is a top plan view thereof; and,  
FIG. 4 is a bottom plan view thereof.  
The broken lines depict portions of the engine cap that form no part of the claimed design.

**1 Claim, 4 Drawing Sheets**



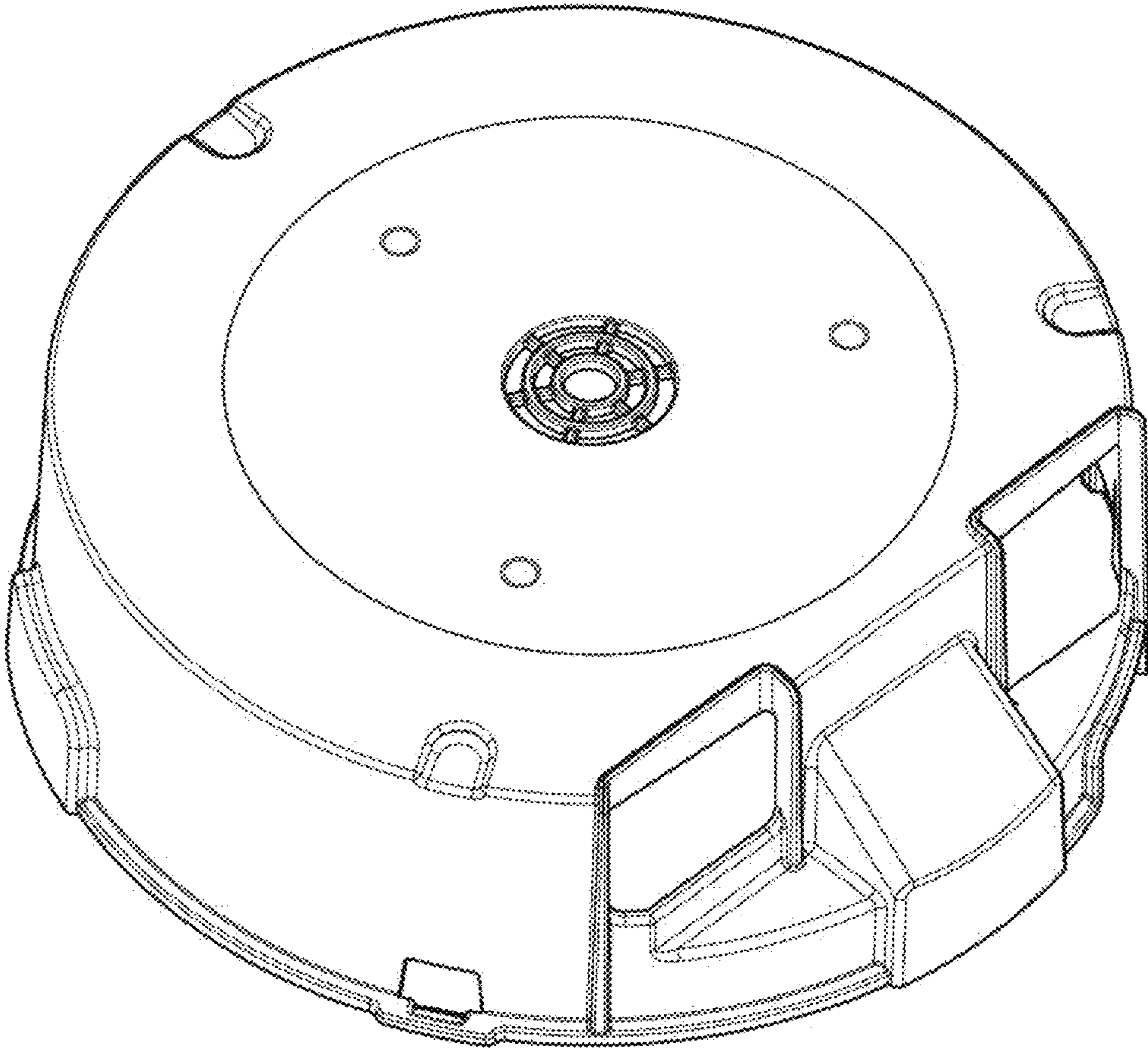


FIG. 1

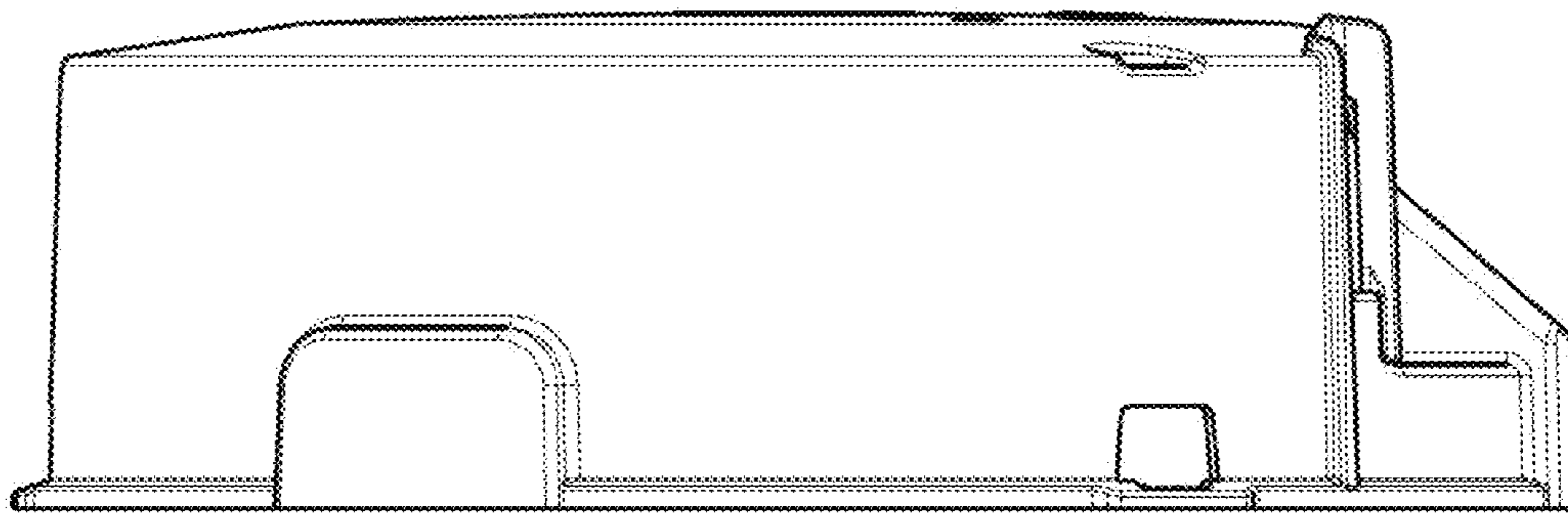


FIG. 2

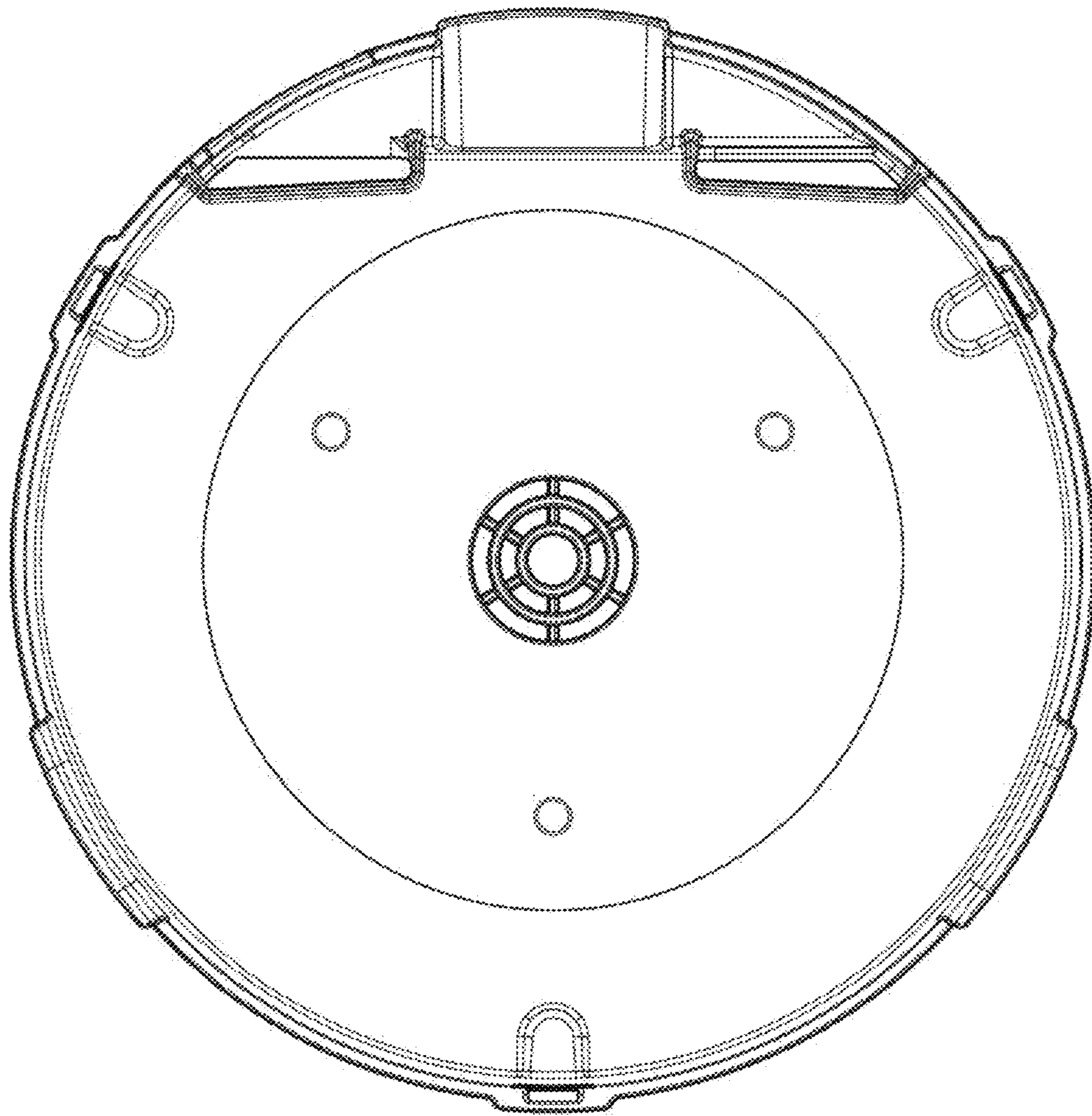


FIG. 3



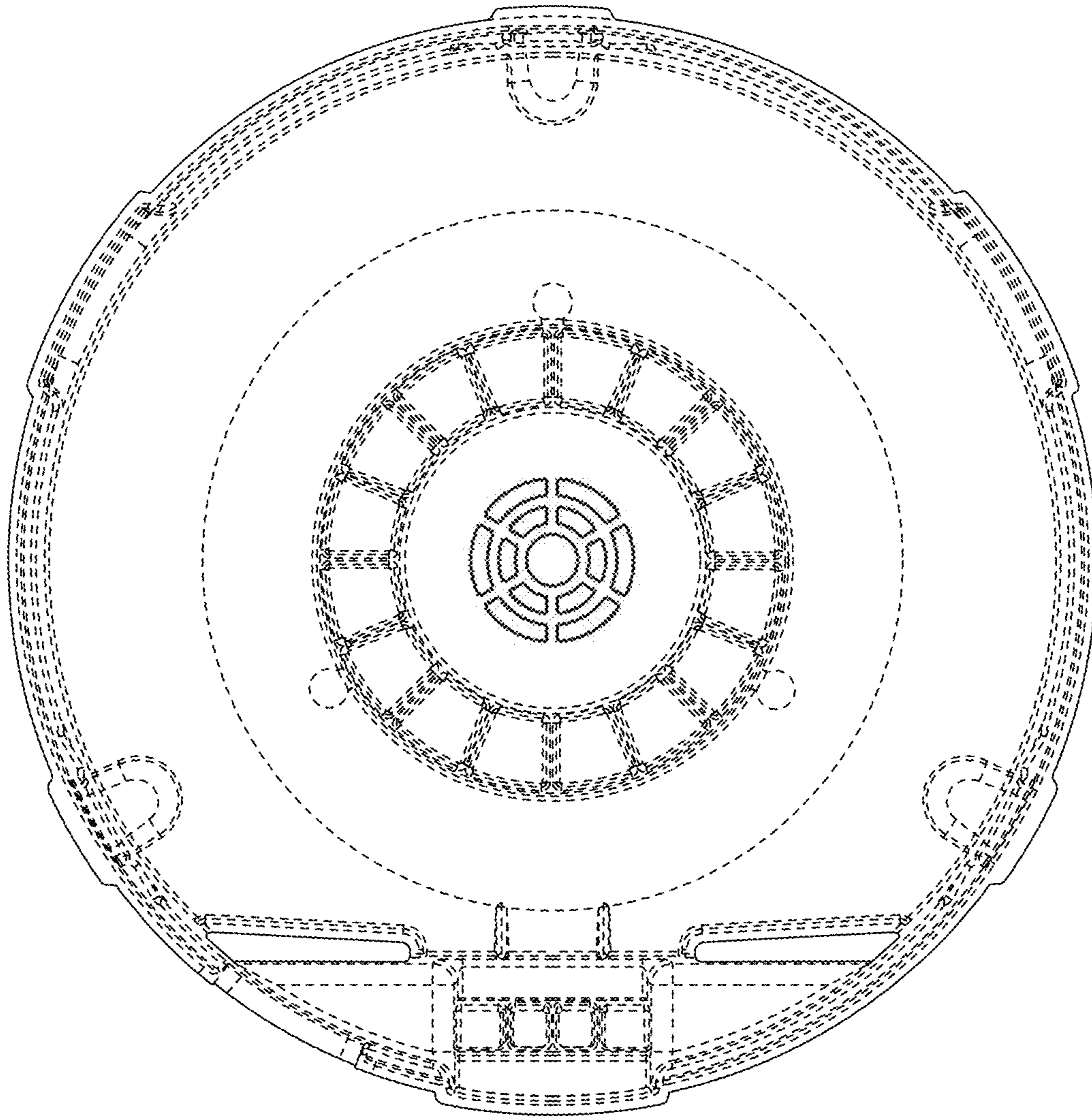


FIG. 4