



US00D849013S

(12) **United States Design Patent** (10) **Patent No.:** **US D849,013 S**
Monsalve et al. (45) **Date of Patent:** **** May 21, 2019**

(54) **MONITOR ARM**

FOREIGN PATENT DOCUMENTS

(71) Applicant: **Humanscale Corporation**, New York, NY (US)

CN 304089302 * 3/2017
EP 0481159 2/1991

(Continued)

(72) Inventors: **Fabian Monsalve**, New York, NY (US); **Ross Velazquez**, New York, NY (US); **Jacob Glickstein**, New York, NY (US)

OTHER PUBLICATIONS

Modernsolid. <URL: <http://www.modernsolid.com/EA-211-Single-Heavy-Monitor-Gas-spring-Arm.htm>.> Visited Jun. 22, 2018. Heavy Height Monitor Arm.*

(Continued)

(73) Assignee: **Humanscale Corporation**, New York, NY (US)

(**) Term: **15 Years**

Primary Examiner — Susan Bennett Hattan

Assistant Examiner — Lauren D McVey

(21) Appl. No.: **29/642,595**

(74) *Attorney, Agent, or Firm* — Womble Bond Dickinson (US) LLP

(22) Filed: **Mar. 30, 2018**

(51) **LOC (11) Cl.** **14-02**

(52) **U.S. Cl.**
USPC **D14/452**

(58) **Field of Classification Search**
USPC D14/447-452, 336, 341, 371, 373, 374, D14/375, 376, 377, 126, 127, 128, 129
CPC F16M 11/105; F16M 11/10; F16M 11/048; F16M 11/12; F16M 13/022
See application file for complete search history.

(57) **CLAIM**

We claim the ornamental design for a monitor arm, as shown and described.

DESCRIPTION

FIG. 1 is a top front right perspective view of a monitor arm, showing our new design;
FIG. 2 is a top rear left perspective view thereof;
FIG. 3 is a front elevation view thereof;
FIG. 4 is a rear elevation view thereof;
FIG. 5 is a left side elevation view thereof;
FIG. 6 is a right side elevation view thereof;
FIG. 7 is a top plan view thereof; and,
FIG. 8 is a bottom plan view thereof.
The broken away bracket symbols with evenly spaced broken lines in the drawings indicate that any portion of the article beyond what is shown forms no part of the claimed design. The dash-dot broken lines represent the bounds of the claimed design, and form no part of the claimed design. The evenly spaced broken lines are directed to environment and form no part of the claimed design.

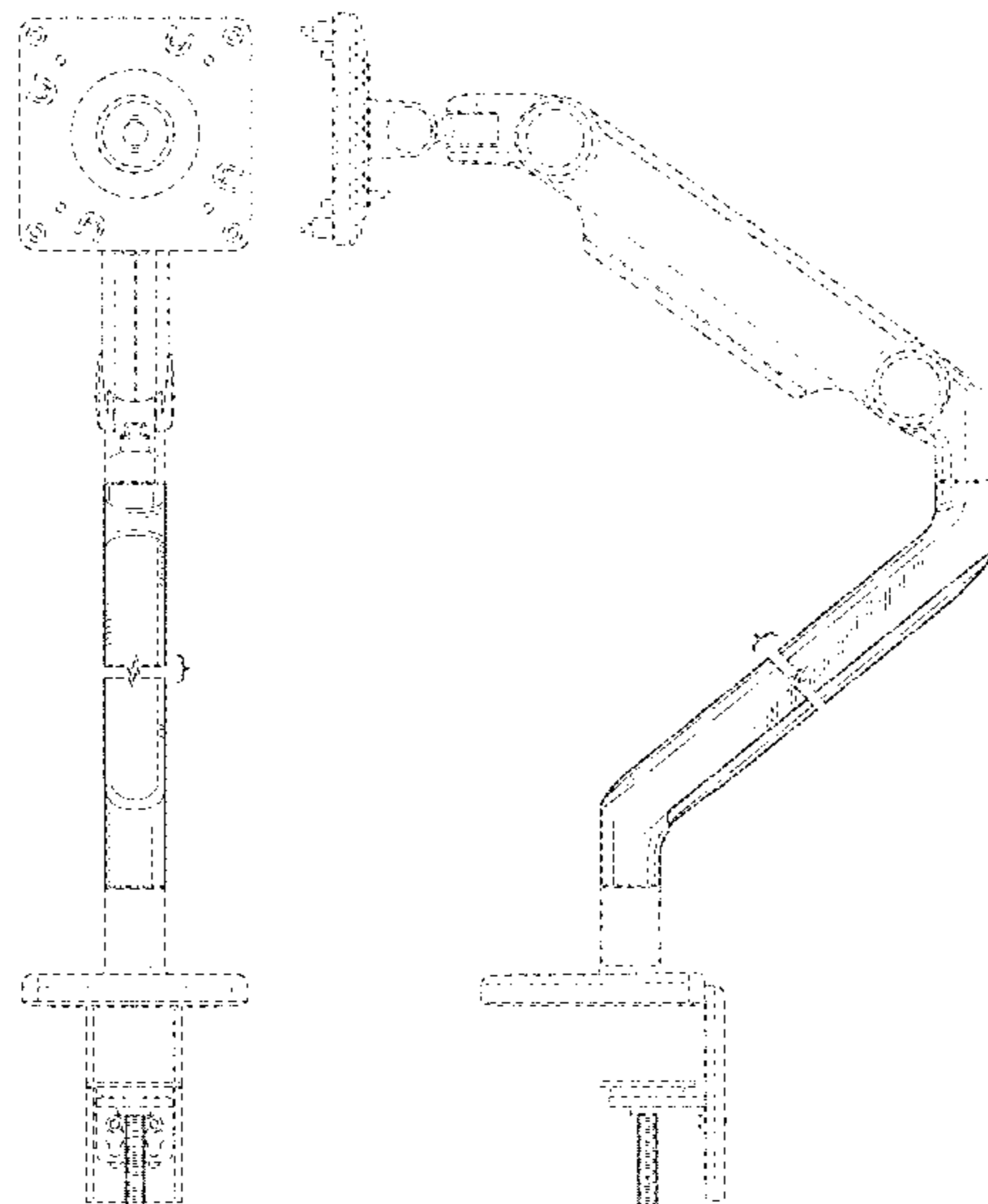
(56) **References Cited**

U.S. PATENT DOCUMENTS

D275,431 S	9/1984	Usah	
D391,945 S	3/1998	Rosen	
5,799,917 A	9/1998	Li	
D406,228 S	3/1999	Vogels	
D429,251 S	8/2000	Sundy	
D435,107 S	12/2000	Blair	
D435,852 S	1/2001	Oddsens, Jr.	
D462,969 S *	9/2002	Scharer D14/447
D486,488 S	2/2004	Jobs	
6,695,270 B1	2/2004	Smed	

(Continued)

1 Claim, 7 Drawing Sheets



(56)

References Cited

U.S. PATENT DOCUMENTS

D508,917 S 8/2005 Wills
 6,935,883 B2 8/2005 Oddsen, Jr.
 D509,826 S 9/2005 Jobs
 D512,698 S 12/2005 Augenbraun et al.
 D521,996 S 5/2006 Kim
 D522,010 S * 5/2006 Piazza D14/452
 D537,323 S 2/2007 Saez
 7,207,537 B2 4/2007 Hung
 D541,807 S 5/2007 Oddsen, Jr. et al.
 D542,297 S 5/2007 Hung
 7,252,277 B2 8/2007 Sweere
 D557,125 S 12/2007 Worrall et al.
 7,338,022 B2 3/2008 Hung
 7,389,965 B2 6/2008 Oddsen, Jr. et al.
 7,395,995 B2 7/2008 Chen
 D584,734 S 1/2009 Chu
 7,510,155 B2 3/2009 Huang et al.
 7,540,457 B2 6/2009 Oddsen, Jr. et al.
 D598,917 S 8/2009 Lubber
 D606,548 S 12/2009 Sapper
 D608,771 S 1/2010 Hsu
 7,677,518 B2 3/2010 Choulnard et al.
 7,694,927 B2 4/2010 Chuang
 D624,083 S 9/2010 Scheper et al.
 D624,084 S 9/2010 Scheper et al.
 D627,474 S 11/2010 Nordgren
 D631,052 S 1/2011 Hung
 D636,765 S 4/2011 Molter et al.
 D643,042 S 8/2011 Saelid
 D651,199 S 12/2011 Huang
 D654,503 S 2/2012 Sapper
 D655,532 S 3/2012 Saelid
 8,191,487 B2 6/2012 Theesfeld et al.
 D668,256 S 10/2012 Matteo
 D668,257 S 10/2012 Tsai
 D679,016 S * 3/2013 Jarva D24/158
 D685,806 S 7/2013 Kim et al.
 D688,674 S 8/2013 Lau et al.
 D690,306 S 9/2013 Malisse
 8,720,838 B2 5/2014 Bowman
 D709,896 S 7/2014 McKinstry
 8,777,172 B2 * 7/2014 Sapper F16M 11/08
 248/274.1
 8,839,723 B2 9/2014 Hazzard et al.
 D714,775 S 10/2014 Yoo
 D715,938 S 10/2014 Li et al.
 8,931,748 B2 * 1/2015 Bowman F16M 11/10
 248/280.11
 D724,072 S 3/2015 Jiang
 9,074,721 B2 * 7/2015 Lau F16M 13/02
 9,080,721 B2 7/2015 Hazzard et al.
 D735,727 S 8/2015 Dugger
 D740,830 S 10/2015 Chu
 D745,873 S 12/2015 Xiang et al.
 D747,179 S 1/2016 Xiang et al.
 9,267,639 B2 2/2016 Sweere et al.
 D751,565 S 3/2016 Gross
 D751,566 S 3/2016 Anderson
 D758,375 S 7/2016 Won et al.

9,400,083 B2 7/2016 Sapper et al.
 D769,881 S 10/2016 Lazzi et al.
 D787,522 S 5/2017 Lee
 9,657,889 B1 5/2017 Chumakov
 D792,419 S 7/2017 Shen
 D796,519 S 9/2017 Hung
 D798,848 S 10/2017 Frank
 D805,085 S 12/2017 Xiang et al.
 D807,373 S 1/2018 Thetard et al.
 D812,066 S 3/2018 Lazzl
 2005/0284991 A1 12/2005 Saez
 2007/0040084 A1 2/2007 Sturman et al.
 2008/0315048 A1 12/2008 Sakata
 2011/0147546 A1 6/2011 Monsalve et al.
 2011/0260017 A1 * 10/2011 Monsalve F16M 11/2014
 248/201
 2011/0303805 A1 * 12/2011 Lau F16M 11/126
 248/125.8
 2011/0315843 A1 12/2011 Hung
 2012/0119040 A1 5/2012 Ergun et al.
 2012/0187056 A1 7/2012 Hazzard
 2012/0267497 A1 * 10/2012 Bowman F16M 11/10
 248/280.11
 2013/0126682 A1 5/2013 Tholkes et al.
 2014/0137773 A1 5/2014 Mandel et al.
 2014/0367137 A1 * 12/2014 Leung H02G 3/045
 174/68.3

FOREIGN PATENT DOCUMENTS

WO D008784-001 8/1987
 WO WO 2017155987 A1 * 9/2017 F16M 11/10

OTHER PUBLICATIONS

Amazon. <URL:https://www.amazon.com/dp/BOOBRBX3DM/ref=asc_df_BOOBRBX3DM5102834/?tag=hyprod/OC2cYOAD2O&creative=394997&creativeASIN=BOOBRX3DM&linkCode=OE2')/080%A6.> Mar. 29, 2013, Ergotron Mounting Arm, 9 pgs.
 Dell Monitor Stand User's Guide (USB 3.0 Dock MKS14), Aug. 2015, 23 pgs.
 Ergotron DS100 Quad-Monitor Desk Stand, <http://ergotron.com/ProductsDetails/tabid/65/PRDID/196/language/en-US/Default.aspx>, known at least as early as Jun. 7, 2016, 2 pgs.
 Humanscale's Quickstand Workstation, <http://www.humanscale.com/products/product.cfm?group=quickstand>, known at least as early as Jun. 7, 2016, 3 pgs.
 M2 Monitor Arm Brochure, Humanscale, known at least as early as Dec. 21, 2016, 5 pgs.
 M8 Monitor Arm Brochure, Humanscale, known at least as early as Dec. 21, 2016, 4 pgs.
 Office Depot & OfficeMax. <URL:http://www.officedepot.com/catalog/search.do?Ntt=302938')/OEPABPABDWorkFir/oEPABPABDS%EP/oBP/013Display/OEP/OBF%BDStand.> Feb. 2, 2016. Ergotron WorkFit S Display Stand, 2 pgs.
 YouTube, <URL:https://www.youtube.com/watch?v=kY3zIRz-ZKY> Aug. 1, 2016, HumanScale Quick Stand, 2 pgs.

* cited by examiner

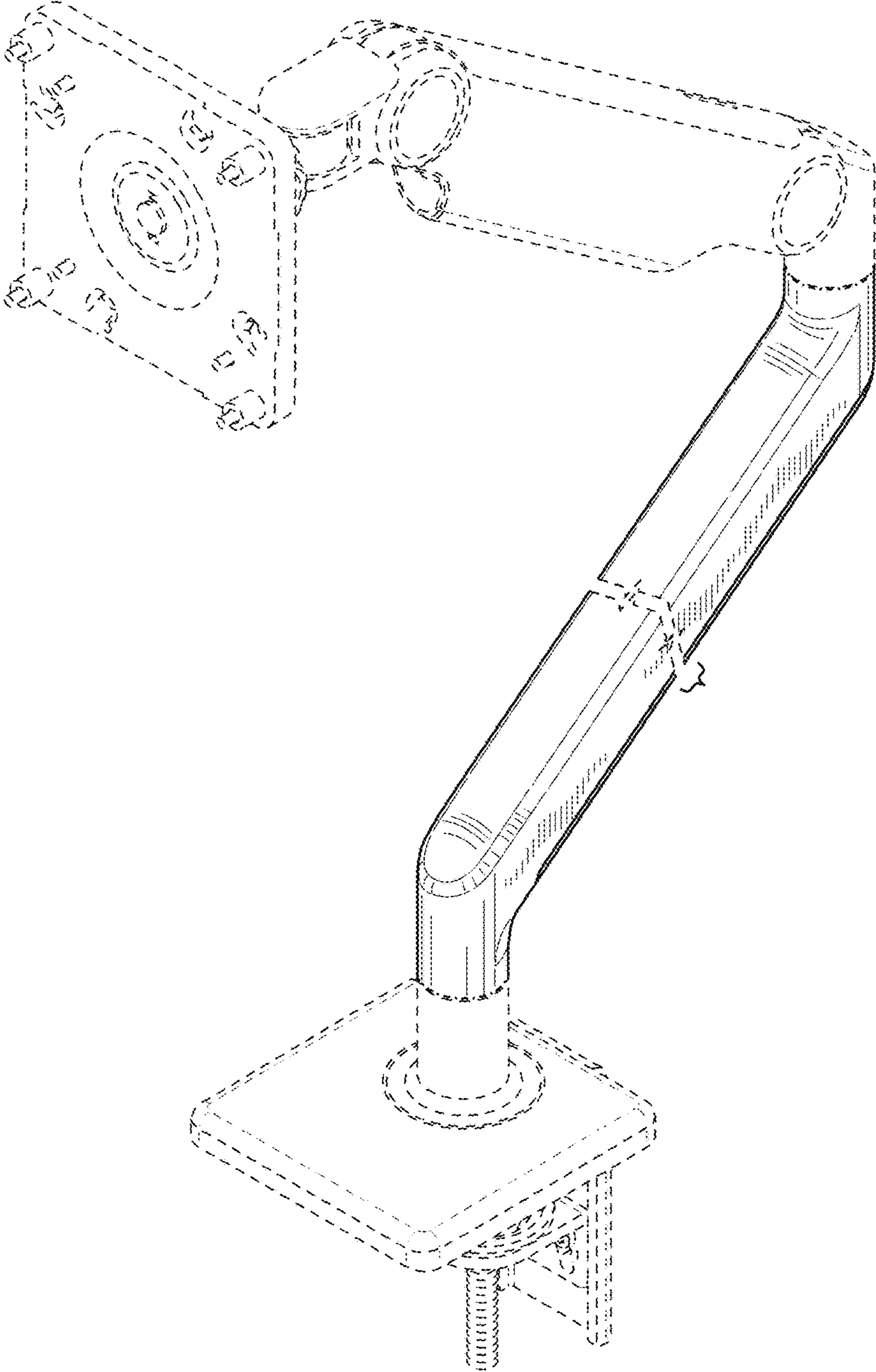


FIG. 1

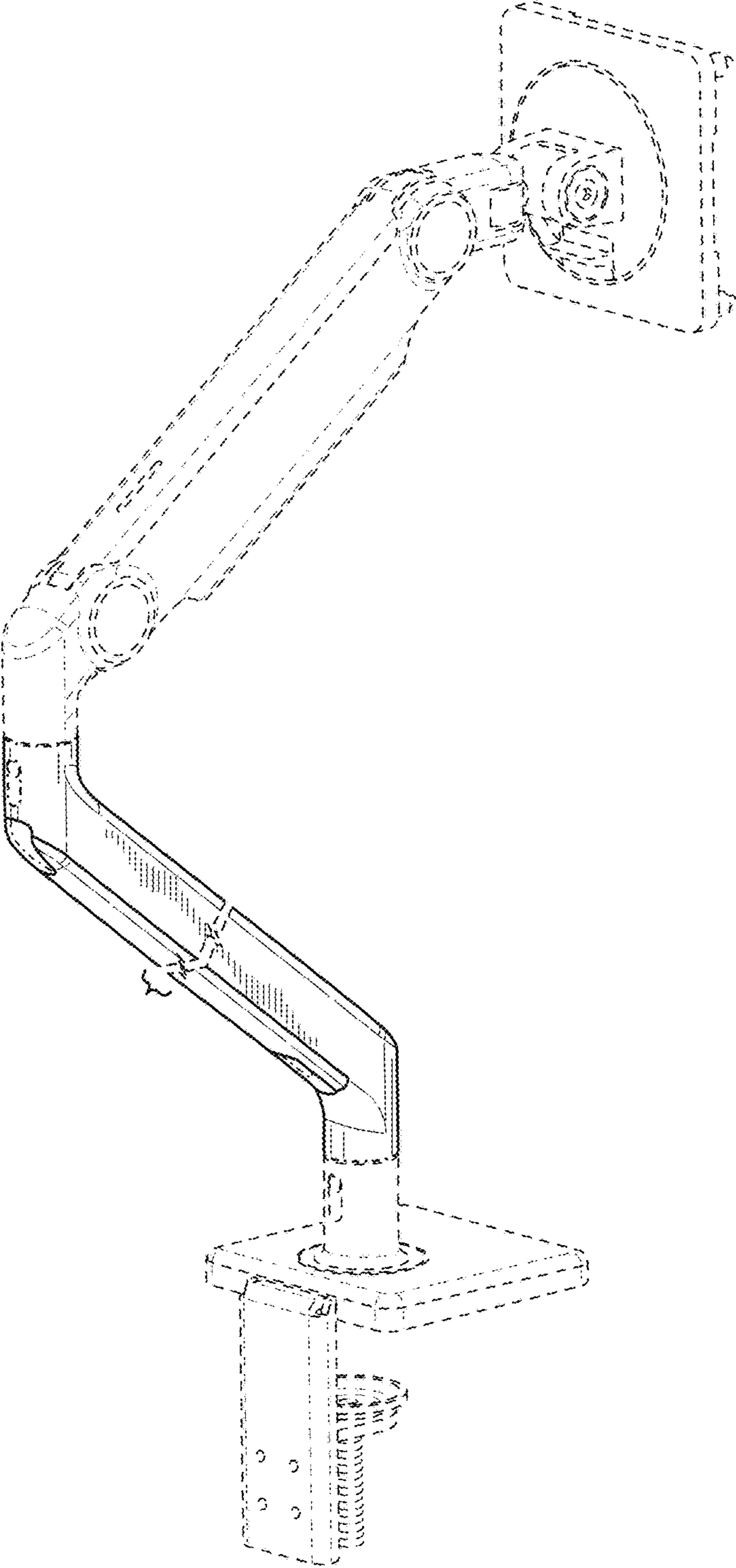


FIG. 2

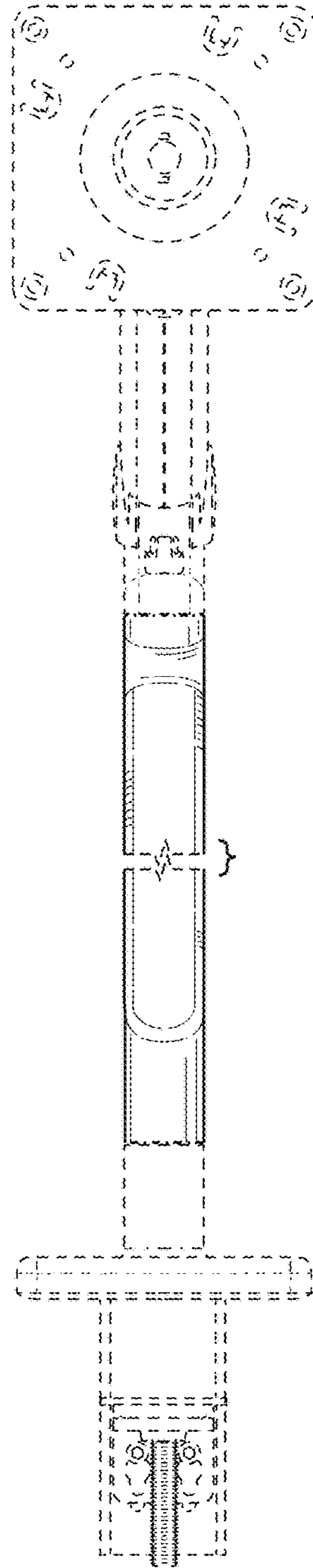


FIG. 3

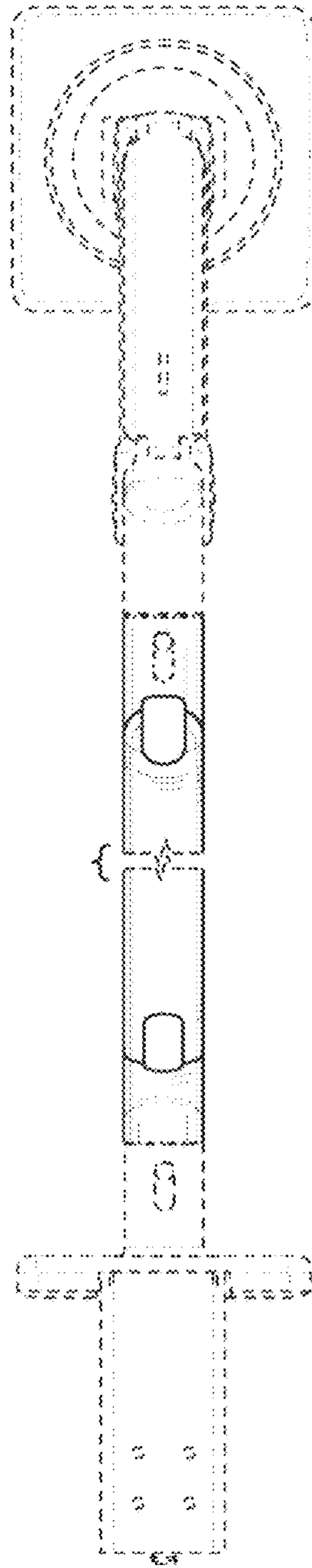


FIG. 4

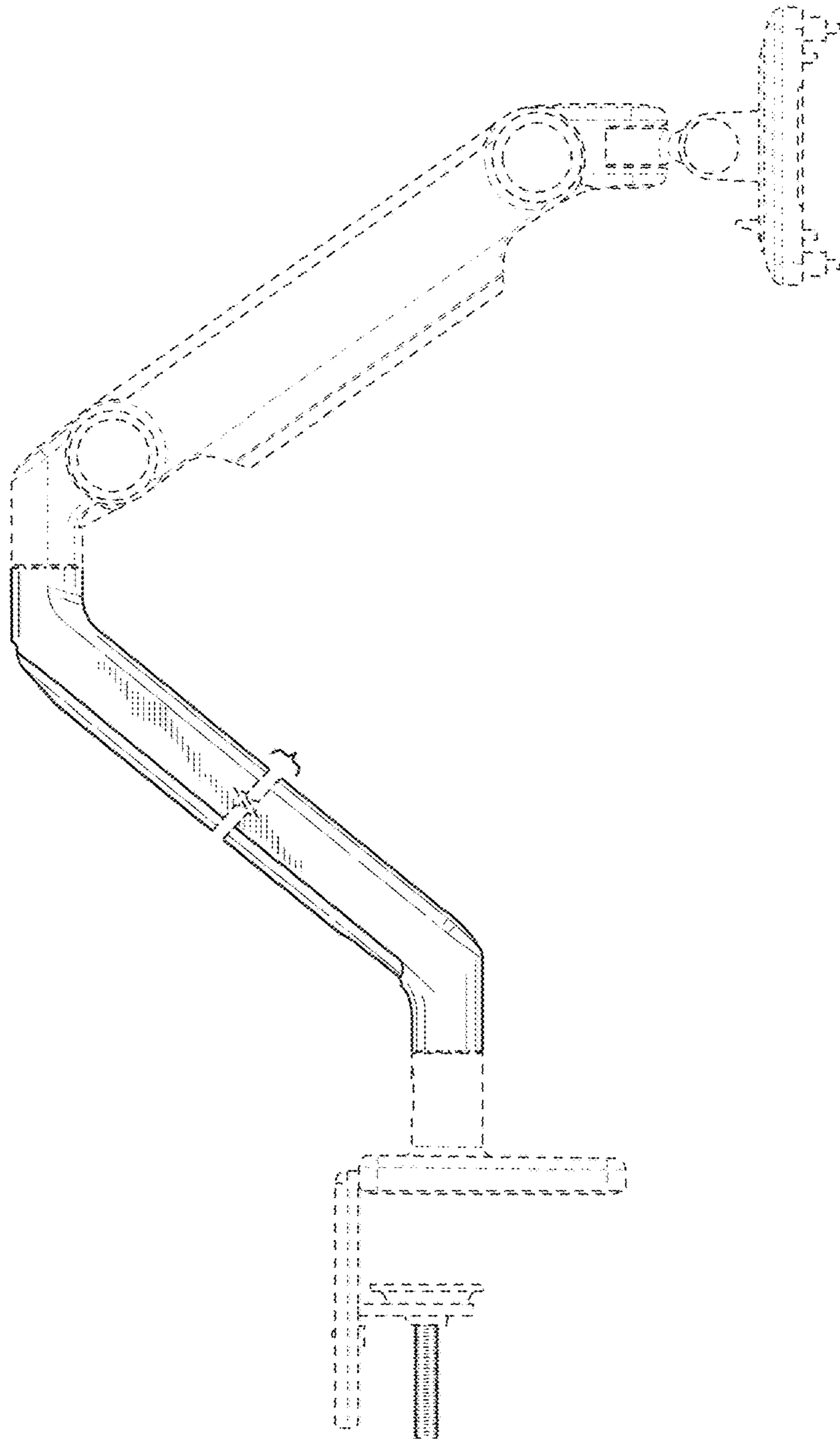


FIG. 5

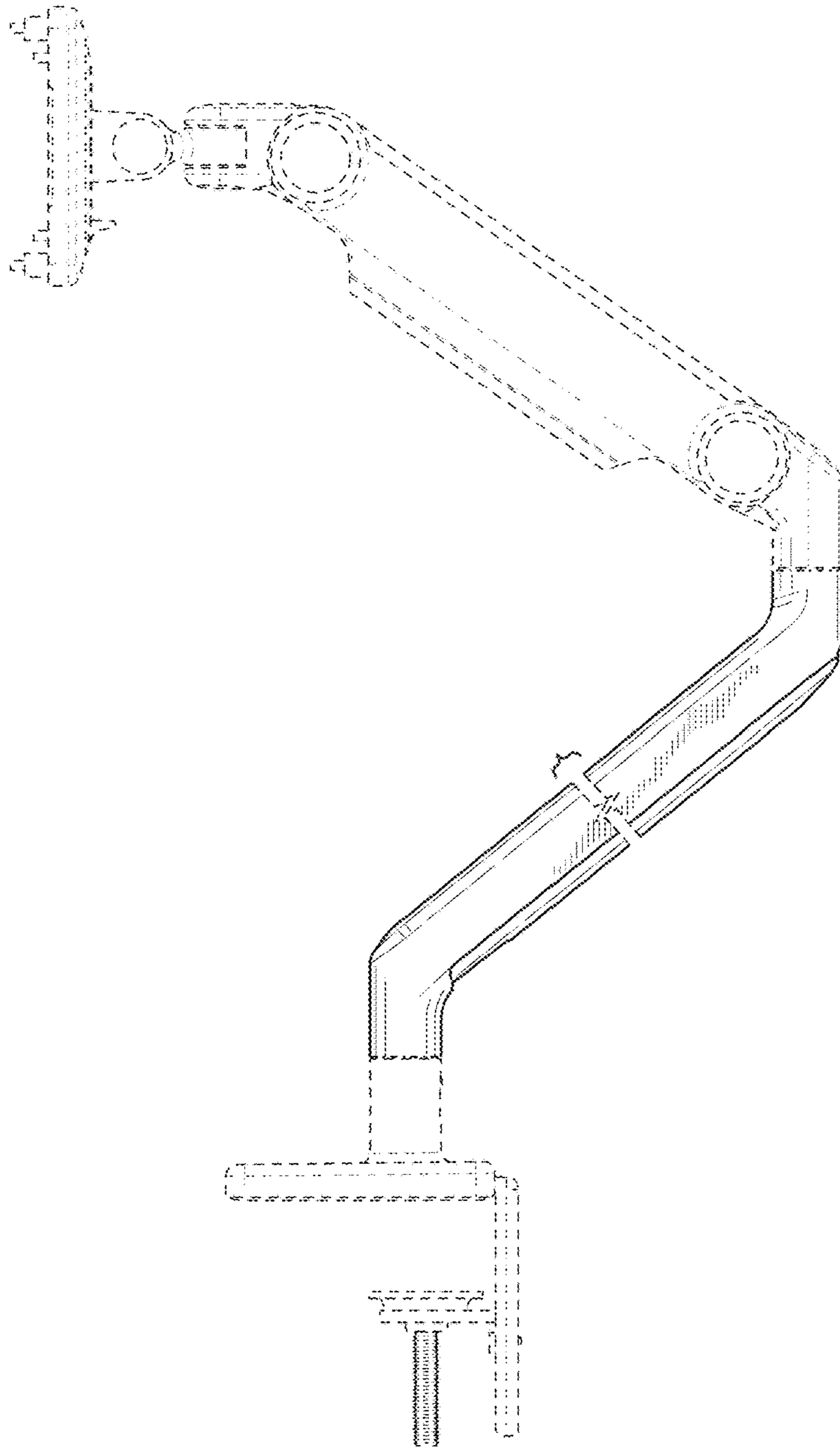


FIG. 6

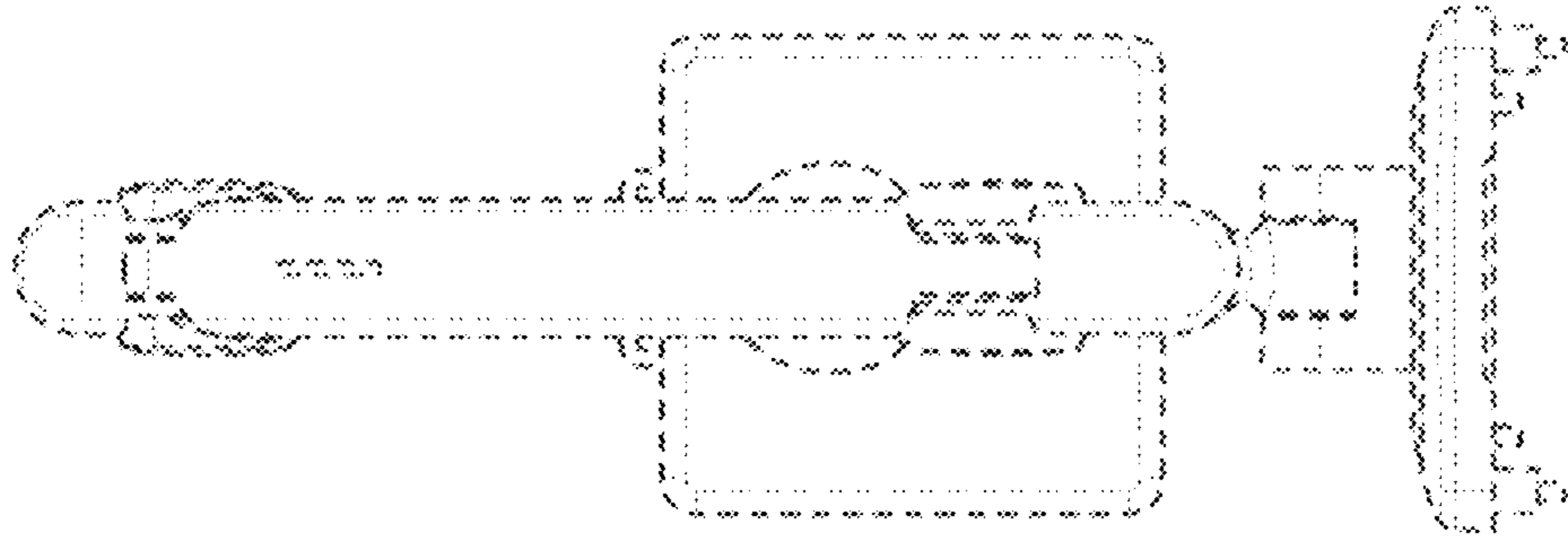


FIG. 7

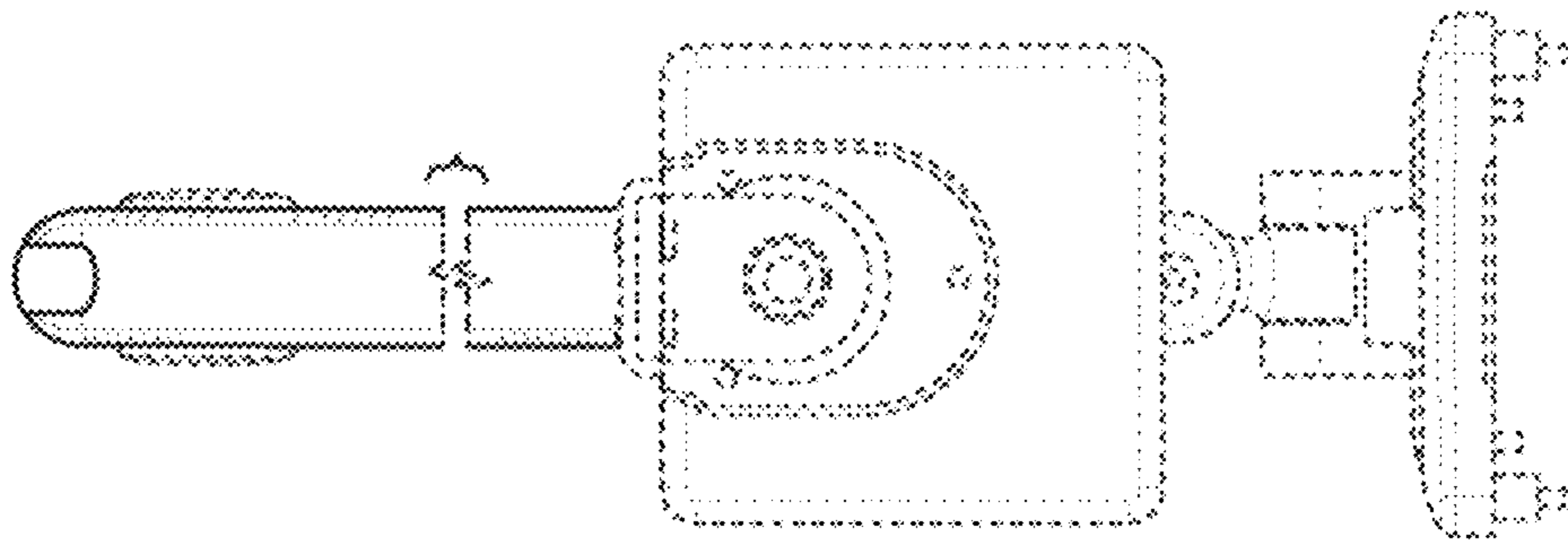


FIG. 8