



US00D849012S

(12) **United States Design Patent** (10) **Patent No.:** **US D849,012 S**
Yao et al. (45) **Date of Patent:** **** *May 21, 2019**

(54) **DASHBOARD VENT MOUNT FOR AN ELECTRONIC DEVICE**

(71) Applicant: **Kenu, Inc.**, San Francisco, CA (US)

(72) Inventors: **David E. Yao**, San Francisco, CA (US); **Leonard John Duran**, Mill Valley, CA (US); **Gregory D. Caneer**, Oakland, CA (US); **Kenneth Y. Minn**, San Francisco, CA (US)

(73) Assignee: **KENU, INC.**, San Francisco, CA (US)

(*) Notice: This patent is subject to a terminal disclaimer.

(**) Term: **15 Years**

(21) Appl. No.: **29/625,650**

(22) Filed: **Nov. 10, 2017**

(51) **LOC (11) Cl.** **08-04**

(52) **U.S. Cl.**
 USPC **D14/447**

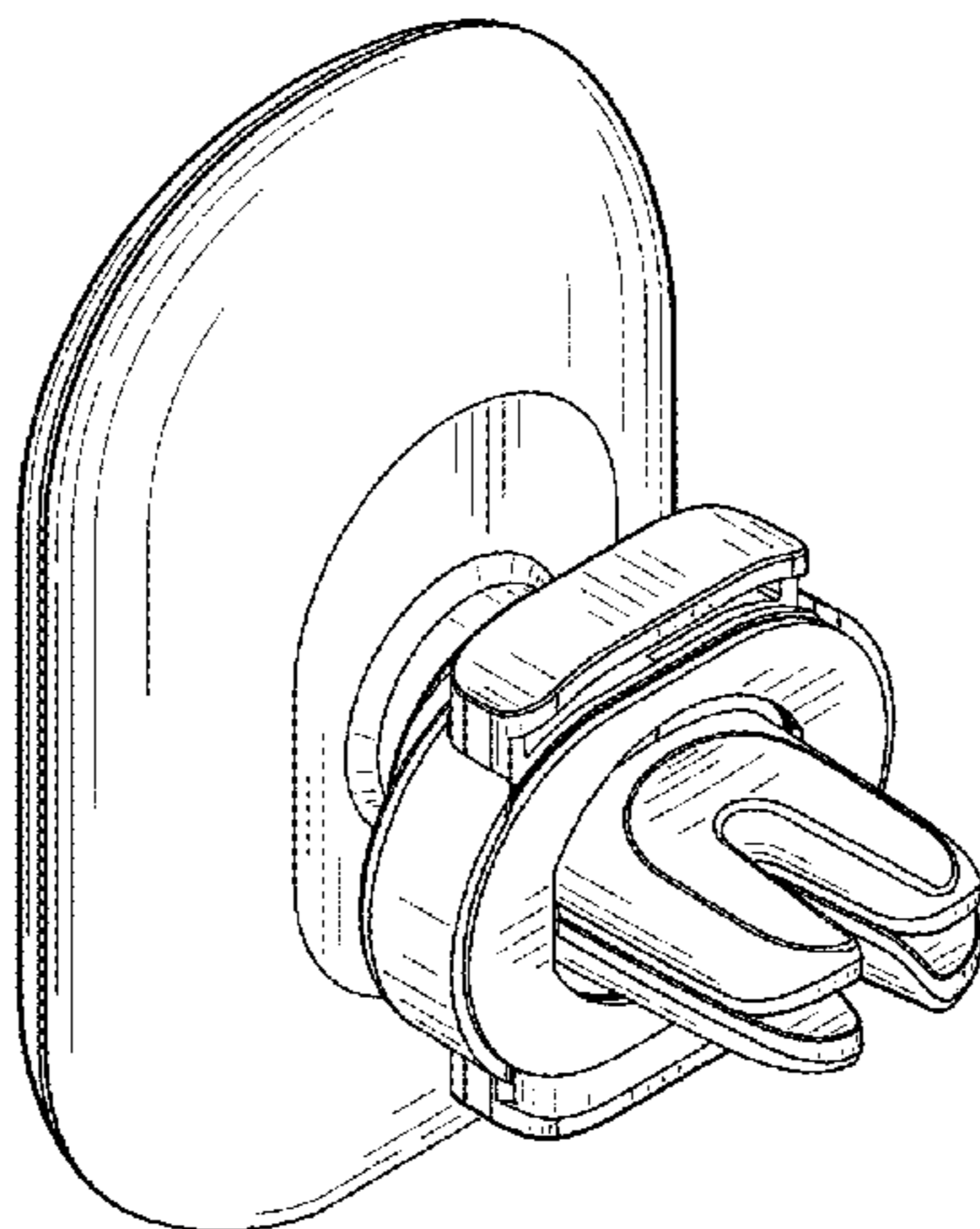
(58) **Field of Classification Search**
 USPC D14/447, 432, 434, 439, 440, 451, 452, D14/457, 239, 251, 253; D8/363, 373, D8/380; D6/406.3, 406.4, 406.5, 406.6; D12/415; D13/108, 144
 See application file for complete search history.

6,988,907	B2	1/2006	Chang
D521,990	S	5/2006	Richter
D522,843	S	6/2006	Richter
7,061,386	B2	6/2006	Seresini
7,080,812	B2	7/2006	Wadsworth
7,140,553	B2	11/2006	Zobe
D538,912	S	3/2007	Kaplan
7,272,984	B2	9/2007	Fan
7,284,737	B2	10/2007	Kane
D566,590	S	4/2008	Stevens et al.
D589,962	S	4/2009	Maruyama et al.
7,537,190	B2	5/2009	Fan
D611,478	S	3/2010	Richardson et al.
D614,613	S	4/2010	Kim et al.
D626,541	S	11/2010	Kim et al.
D630,222	S	1/2011	Lin
D633,040	S	2/2011	Le et al.
D643,407	S	8/2011	Behringer et al.
D645,033	S	9/2011	Quong et al.
D655,692	S	3/2012	Silverman et al.
D656,931	S	4/2012	Wikel
D656,940	S	4/2012	McClelland et al.
D657,356	S	4/2012	Wikel
D657,364	S	4/2012	Norman
D663,726	S	7/2012	Gourley
D663,735	S	7/2012	Musselman
D664,147	S	7/2012	Zhao et al.
D670,295	S	11/2012	Prescott et al.
D671,950	S	12/2012	Richter
D689,041	S	9/2013	Hampf
D690,707	S	10/2013	Minn et al.
D692,897	S	11/2013	Luijben
8,727,192	B2	5/2014	Lai
8,757,461	B2	6/2014	Zanetti
D708,187	S *	7/2014	Xiang D14/447
D708,603	S	7/2014	Kim et al.
D709,066	S	7/2014	Byun
D709,074	S	7/2014	Tsui et al.
D713,398	S	9/2014	Alesi et al.
D715,790	S	10/2014	Conomos et al.
D715,791	S	10/2014	Yu
8,857,687	B1	10/2014	An
D716,788	S	11/2014	Volkan
D717,289	S	11/2014	Takabatake
D718,298	S	11/2014	Aspinall et al.
D720,759	S	1/2015	Deng et al.
D723,311	S	3/2015	Jian et al.
D724,072	S	3/2015	Jiang et al.
D726,175	S	4/2015	Tsai et al.
D727,333	S	4/2015	Shih et al.
D733,116	S	6/2015	Aspinall et al.
D733,156	S	6/2015	Choi et al.
D733,548	S	7/2015	Brown et al.

(56) **References Cited**

U.S. PATENT DOCUMENTS

2,580,625	A	1/1952	Waltz
4,797,916	A	1/1989	Kojima
5,109,411	A	4/1992	O'Connell
5,305,381	A	4/1994	Wang
5,338,252	A	8/1994	Bowler et al.
5,979,724	A	11/1999	Loewenthal et al.
6,103,201	A	8/2000	Green
6,149,116	A	11/2000	Won
6,366,672	B1	4/2002	Tsay
6,441,872	B1	8/2002	Ho
D482,039	S	11/2003	Chen et al.
D485,340	S	1/2004	Wu



US D849,012 S

Page 2

D733,697	S	7/2015	Palan et al.	
D735,112	S	7/2015	Deng et al.	
9,080,714	B2	7/2015	Minn et al.	
D738,873	S	9/2015	Kim et al.	
D747,704	S	1/2016	Tsou	
D748,098	S	1/2016	Khodapanah et al.	
D750,515	S	3/2016	Ditges et al.	
D750,612	S	3/2016	Chen	
D750,633	S	3/2016	Minn et al.	
D757,705	S	5/2016	Esses	
D765,646	S	9/2016	Deng et al.	
D765,651	S	9/2016	Liu et al.	
D768,125	S	10/2016	Kim	
D769,860	S	10/2016	Xiao	
D772,739	S	11/2016	Browning et al.	
D774,382	S	12/2016	Richter	
D778,713	S *	2/2017	McSweyn	D12/415
D778,714	S	2/2017	McSweyn et al.	
D780,168	S	2/2017	Du	
9,573,531	B2	2/2017	Zhang	
D782,462	S	3/2017	Huang	
9,586,530	B2	3/2017	Kim	
D783,012	S	4/2017	Lee	
D783,592	S	4/2017	Ju	
D783,593	S	4/2017	Chen	
D789,920	S	6/2017	Zhang	
D792,415	S	7/2017	Tsai	
D792,416	S *	7/2017	Tsai	D14/447
9,718,412	B2	8/2017	Minn et al.	
D796,421	S	9/2017	Huang	
D799,466	S	10/2017	Sukphist et al.	
D802,404	S	11/2017	Turksu et al.	
9,821,724	B2 *	11/2017	Zhang	F16M 11/105
D820,823	S *	6/2018	Ahn	D14/253
D823,847	S *	7/2018	Lebovitz	D14/253
D825,545	S	8/2018	McSweyn et al.	
2005/0127538	A1	6/2005	Fabrega	
2005/0236541	A1	10/2005	Chang	
2007/0001025	A1	1/2007	Caserta et al.	
2007/0284500	A1	12/2007	Fan	
2008/0190978	A1	8/2008	Brassard	
2008/0224007	A1	9/2008	Mo	
2009/0060473	A1	3/2009	Kohte et al.	
2010/0019059	A1	1/2010	Bulsink et al.	
2011/0019992	A1	1/2011	Orf	
2011/0143583	A1	6/2011	Zilmer et al.	
2011/0148352	A1	6/2011	Wang et al.	
2011/0278885	A1	11/2011	Procter et al.	
2012/0205503	A1	8/2012	Kobal	
2013/0037590	A1	2/2013	Yoon	
2014/0097306	A1	4/2014	Hale et al.	
2014/0103087	A1	4/2014	Fan	
2014/0138419	A1	5/2014	Minn et al.	
2014/0176062	A1	6/2014	Jung	
2015/0072555	A1	3/2015	Riddiford et al.	
2016/0052370	A1	2/2016	Esses	
2016/0082893	A1	3/2016	Ormsbee et al.	
2016/0318455	A1	11/2016	Zhang et al.	
2016/0347257	A1	12/2016	Buchanan	
2016/0373152	A1	12/2016	Schmidt	
2017/0035172	A1	2/2017	Kim	
2017/0170858	A1 *	6/2017	Tiller	H04B 1/3877
2017/0313259	A1	11/2017	Minn et al.	
2018/0043840	A1 *	2/2018	Minn	B60R 11/02

FOREIGN PATENT DOCUMENTS

CN	301670390	9/2011
CN	202907016	U 4/2013
DE	202004007340	U1 7/2004
DE	202008010276	U1 11/2008
EP	1031446	A1 8/2000
EP	1902736	A1 3/2008
EP	2835957	4/2015
JP	2003054304	A 2/2003
JP	3151546	U 6/2009
JP	3164223	U 11/2010
JP	D1415725	5/2011
JP	D1420793	7/2011

JP	D1420793	8/2011
JP	D1453628	10/2012
JP	D1487823	1/2014
KR	10-2000-0044438	7/2000
KR	20-0429528	10/2006
KR	10-2012-0125933	11/2012
KR	30-0941787	1/2018
TW	D103373	3/2005
TW	D149647	10/2012
TW	D165745	2/2015
TW	D178656	10/2016
WO	9604153	2/1996
WO	WO2004091673	A1 10/2004
WO	D066974-001	9/2005
WO	2010002291	A1 1/2010

OTHER PUBLICATIONS

U.S. Appl. No. 29/607,125, filed Jun. 9, 2017.

U.S. Appl. No. 29/607,126, filed Jun. 9, 2017.

U.S. Appl. No. 29/617,062, filed Sep. 11, 2017.

U.S. Appl. No. 29/617,064, filed Sep. 11, 2017.

U.S. Appl. No. 29/625,651, filed Nov. 10, 2017.

U.S. Appl. No. 29/638,301, filed Feb. 26, 2018.

U.S. Appl. No. 29/638,303, filed Feb. 26, 2018.

Arkon Resources Inc., SMH429-SBH Universal Air Vent Swivel Mount with Adjustable Cradle, (downloaded from <https://www.amazon.com/Arkon-Holder-iPhone-Galaxy-Retail/dp/B003XAF4YQ> on Apr. 11, 2017, 9 pages).

Web posting, entitled “[Arkon Air Vent Smartphone Car Mount] Review of SM429-SBH Air Vent Universal Smartphone Car Mount” (Publication Date: Nov. 21, 2010, <http://cafe.naver.com/bjphone/1391925>).

Web posting entitled, “Car Mount for Samsung Galaxy S4 Smartphone [Air Vent Smartphone Car Mount]” (Publication Date: Apr. 29, 2013, <http://blog.naver.com/eeleet/130167208063>).

China Quality Suppliers; “Black or White Car Air Vent Mount Holder/Adjustable Universal Mobile Phone Stand Holder;” <http://www.hebeimanjikefrp.com/sale-2307306-black-or-white-car-air-vent-mount-holder-adjustable-universal-mobile-phone-stand-holder.html>; Copyright 2014-2015.

Exogear; “ExoMount Touch;” <http://www.exogear.com/products-exomount-touch-one-touch-car-mount-holder.html>; Copyright 2013 Exogear.

Pearl Automation, Pearl Magnetic Car Phone Mount—Vent or Dashboard Cell Phone Holder for Car or Truck, Publication Date: Sep. 2017 {earliest/exact publication date unknown}, <https://www.amazon.com/Pearl-Magnetic-Car-Phone-Mount/dp/B01M0DNYIV>.

Elongdi, Elongdi Air Vent Magnetic Car Mount 360 Degree Rotating Car Phone Mount Holder Compatible with Phone 6 6S Plus 5 Galaxy S7 S6 edge S5 Sony HTC LG, Publication Date: Sep. 2017 {earliest/exact publication date unknown}, https://www.amazon.com/gp/product/B01LXY2N6R/ref=oh_aui_search_detailpage?ie=UTF8&psc=1.

Mengo, Magnetic Air Vent Car Mount—Aluma Magnetic Phone Holder—Universally Compatible for iPhone Samsung HTC LG Phones—Strong Magnetic Vent Mount, Publication Date: Sep. 2017 {earliest/exact publication date unknown}, https://www.amazon.com/gp/product/B011FP01UA/ref=oh_aui_search_detailpage?ie=UTF8&psc=1.

Iottie, iOttie iTap Magnetic Air Vent Premium Car Mount Holder Cradle for iPhone X 8/8s 7 7 Plus 6s Plus 6s 6 SE Samsung Galaxy S8 Plus S8 Edge S7 S6 Note 8 5, Publication Date: Sep. 2017 {earliest/exact publication date unknown}, https://www.amazon.com/gp/product/B00Q3G8LPQ/ref=oh_aui_search_detailpage?ie=UTF8&psc=1.

Aukey, Aukey Car Mount Air Vent Magnetic Cell Phone Holder for iPhone 7/6S/Plus/Samsung/Mini Tablets and other Android, Windows Smartphones, Publication Date: Sep. 2017 {earliest/exact publication date unknown}, https://www.amazon.com/gp/product/B01B2R3QNW/ref=oh_aui_search_detailpage?ie=UTF8&psc=1.

Scosche, Scosche MAGVM2 MagicMount Vent Mount for Mobile Devices, Publication Date: Sep. 2017 {earliest/exact publication date unknown}, https://www.amazon.com/gp/product/B00PMOC172/ref=oh_aui_search_detailpage?ie=UTF8&psc=1.

Spinido, Spinido Magnetic Car Vent Mount Holder for iPhone 7/6s Plus/iPad mini, Publication Date: Sep. 2017 {earliest/exact publication date unknown}, https://www.amazon.com/gp/product/B01E58LHWC/ref=oh_aui_search_detailpage?ie=UTF8&psc=1.

Techmatte, Dashboard Mount TechMatte MagGrip Dashboard and Windshield Magnetic Universal Car Mount Holder for Smartphones including iPhone X, 8, 7, 6, 6S, Galaxy S8, S7, S7 Edge—Black, Publication Date: Sep. 2017 {earliest/exact publication date unknown}, https://www.amazon.com/Dashboard-TechMatte-Windshield-Universal-Smartphones/dp/B01780KZMW/ref=sr_1_5?s=wireless&ie=UTF8&qid=1507681675&sr=1-5&keywords=suction+cup+phone+mount.

Scosche, Scosche MAGWSM2 MagicMount Suction Mount for Mobile Devices, Publication Date: Sep. 2017 {earliest/exact earliest/exact publication date unknown}, https://www.amazon.com/Scosche-MAGWSM2-MagicMount-Suction-Devices/dp/B00R2K4LCY/ref=sr_1_18?s=wireless&ie=UTF8&qid=1507681675&sr=1-18&keywords=suction+cup+phone+mount.

Iottie, Car Mount, iOttie Easy View Universal Car Mount Holder for iPhone 7 6s 5s 5c, Samsung Galaxy S6 Edge Plus S6 S5 S4—Retail Packaging—Black, Publication Date: Sep. 2017 {earliest/exact publication date unknown}, https://www.amazon.com/iOttie-Universal-Holder-iPhone-Samsung/dp/B00B78MT44/ref=sr_1_15?s=wireless&ie=UTF8&qid=1507682778&sr=1-15&keywords=iottie.

U.S. Appl. No. 29/663,049, filed Sep. 11, 2018.

Office Action dated Sep. 13, 2018, in U.S. Appl. No. 29/625,651, filed Nov. 10, 2017.

* cited by examiner

Primary Examiner — Angela J Lee
(74) *Attorney, Agent, or Firm* — Vierra Magen Marcus LLP

(57) **CLAIM**

The ornamental design for a dashboard vent mount for an electronic device, as shown and described.

DESCRIPTION

FIG. 1 is a rear perspective view of a dashboard vent mount for an electronic device with its vent attachment jaws in a closed position;

FIG. 2 is a front perspective view of the dashboard vent mount for an electronic device with its vent attachment jaws in the closed position;

FIG. 3 is a front elevational view of the dashboard vent mount for an electronic device;

FIG. 4 is a rear elevational view of the dashboard vent mount for an electronic device with its vent attachment jaws in the closed position;

FIG. 5 is a bottom plan view of the dashboard vent mount for an electronic device with its vent attachment jaws in the closed position;

FIG. 6 is a top plan view of the dashboard vent mount for an electronic device with its vent attachment jaws in the closed position;

FIG. 7 is a right elevational view of the dashboard vent mount for an electronic device with its vent attachment jaws in the closed position;

FIG. 8 is a left elevational view of the dashboard vent mount for an electronic device with its vent attachment jaws in the closed position;

FIG. 9 is a rear perspective view of the dashboard vent mount for an electronic device with its vent attachment jaws in an open position;

FIG. 10 is a front perspective view of the dashboard vent mount for an electronic device with its vent attachment jaws in the open position;

FIG. 11 is a rear elevational view of the dashboard vent mount for an electronic device with its vent attachment jaws in the open position; and,

FIG. 12 is a right elevational view of the dashboard vent mount for an electronic device with its vent attachment jaws in the open position, with the left elevation view of the dashboard vent mount for an electronic device with its vent attachment jaws in the open position being a mirror image of the right elevation view in FIG. 12.

1 Claim, 3 Drawing Sheets

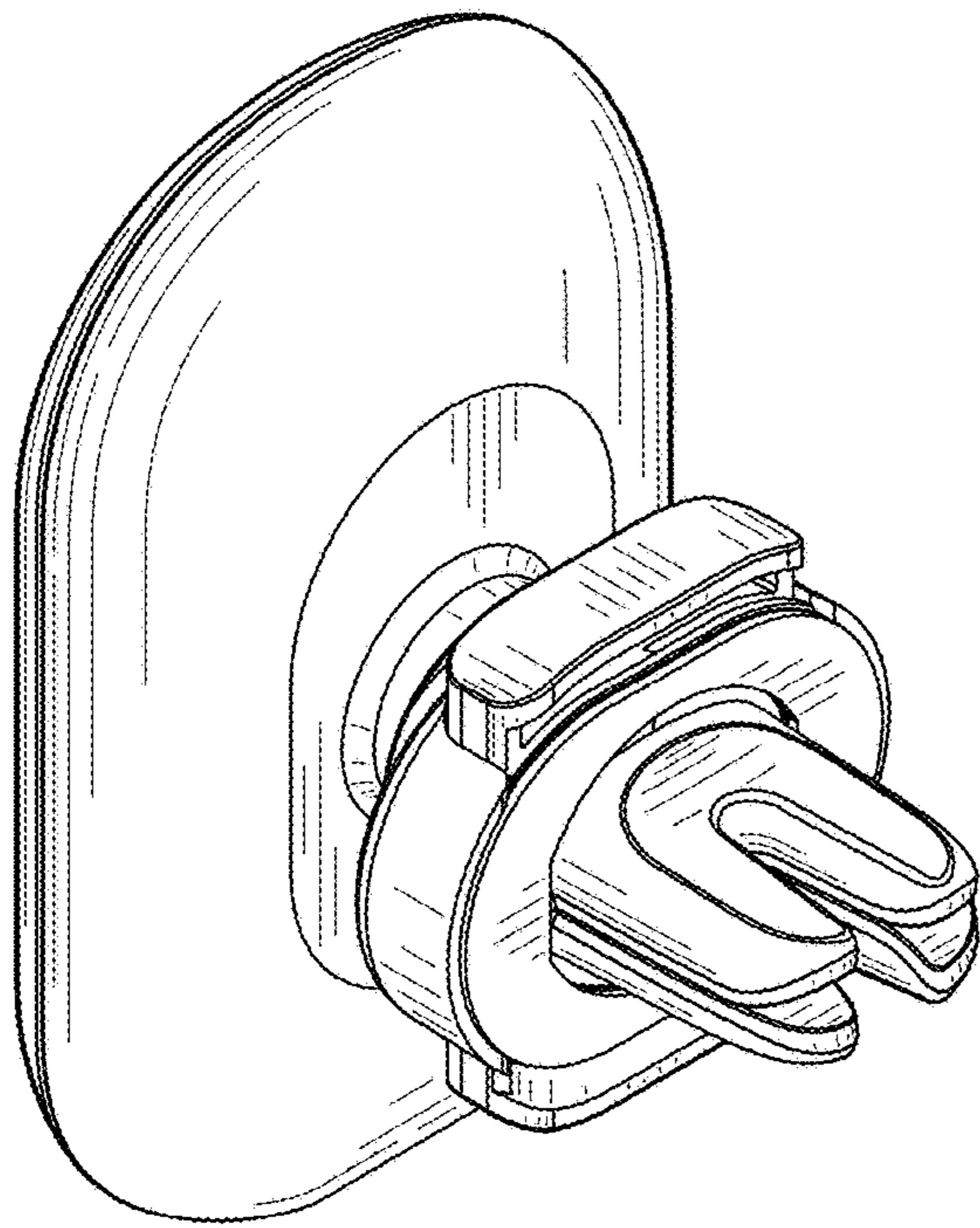


FIG. 1

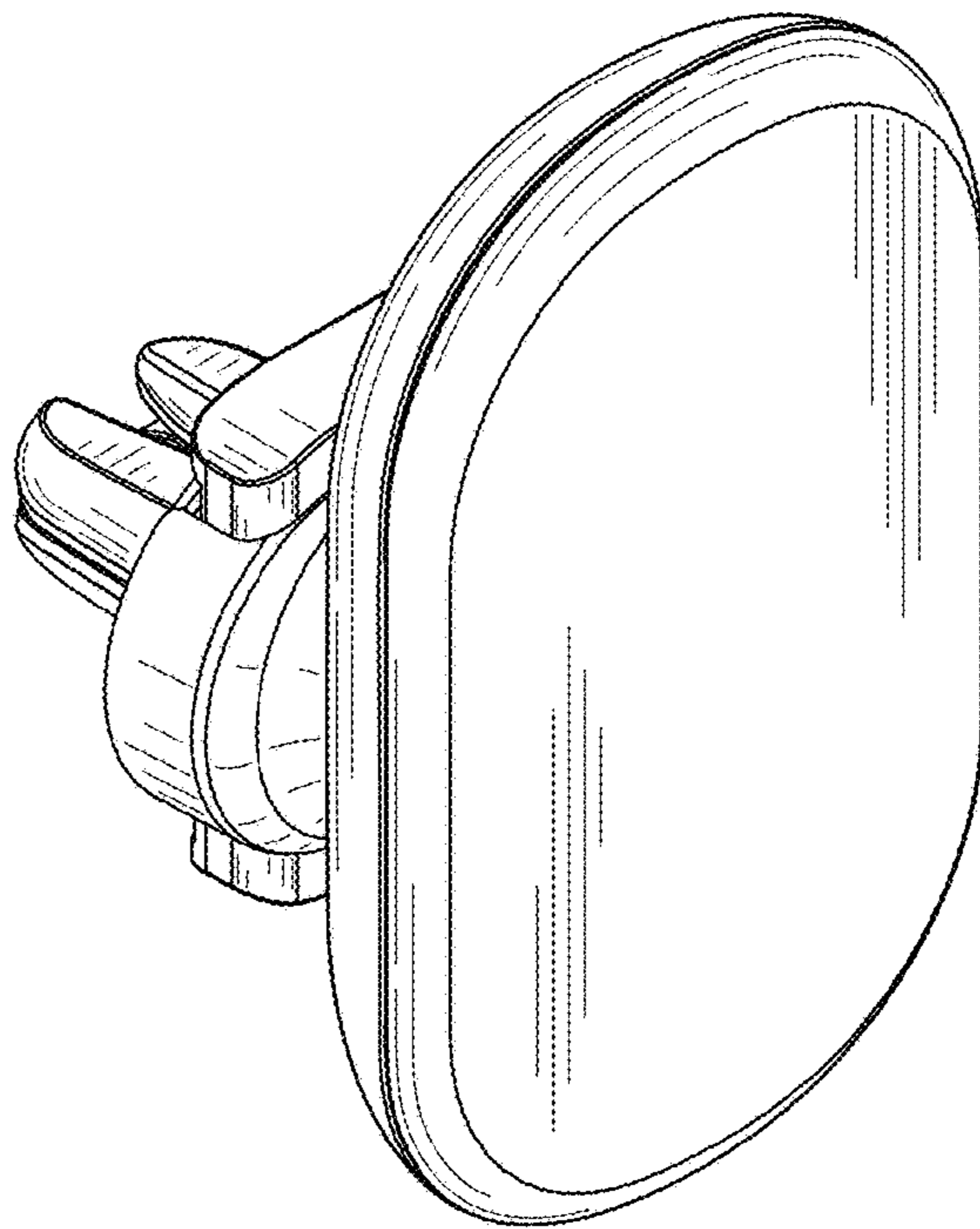


FIG. 2

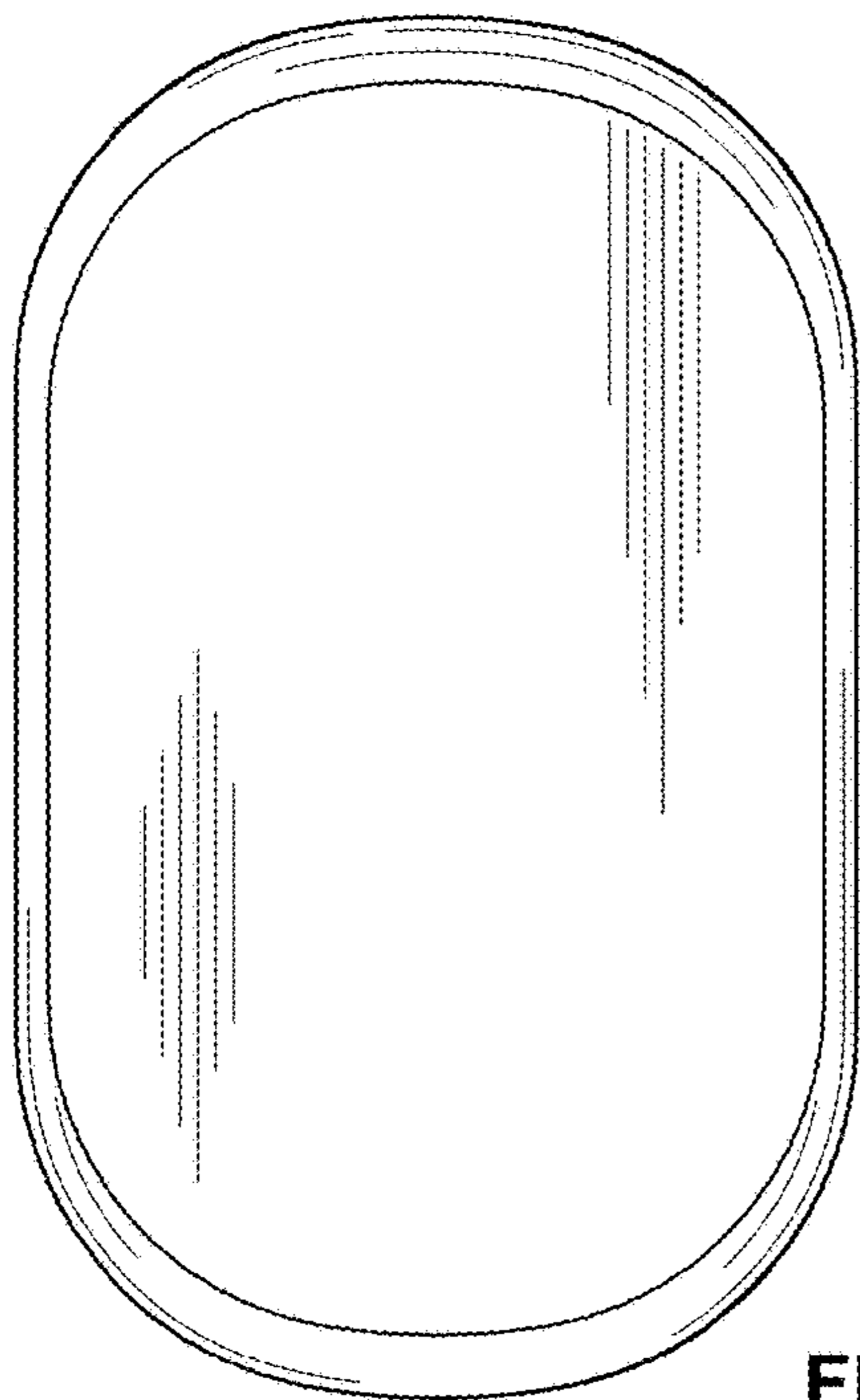


FIG. 3

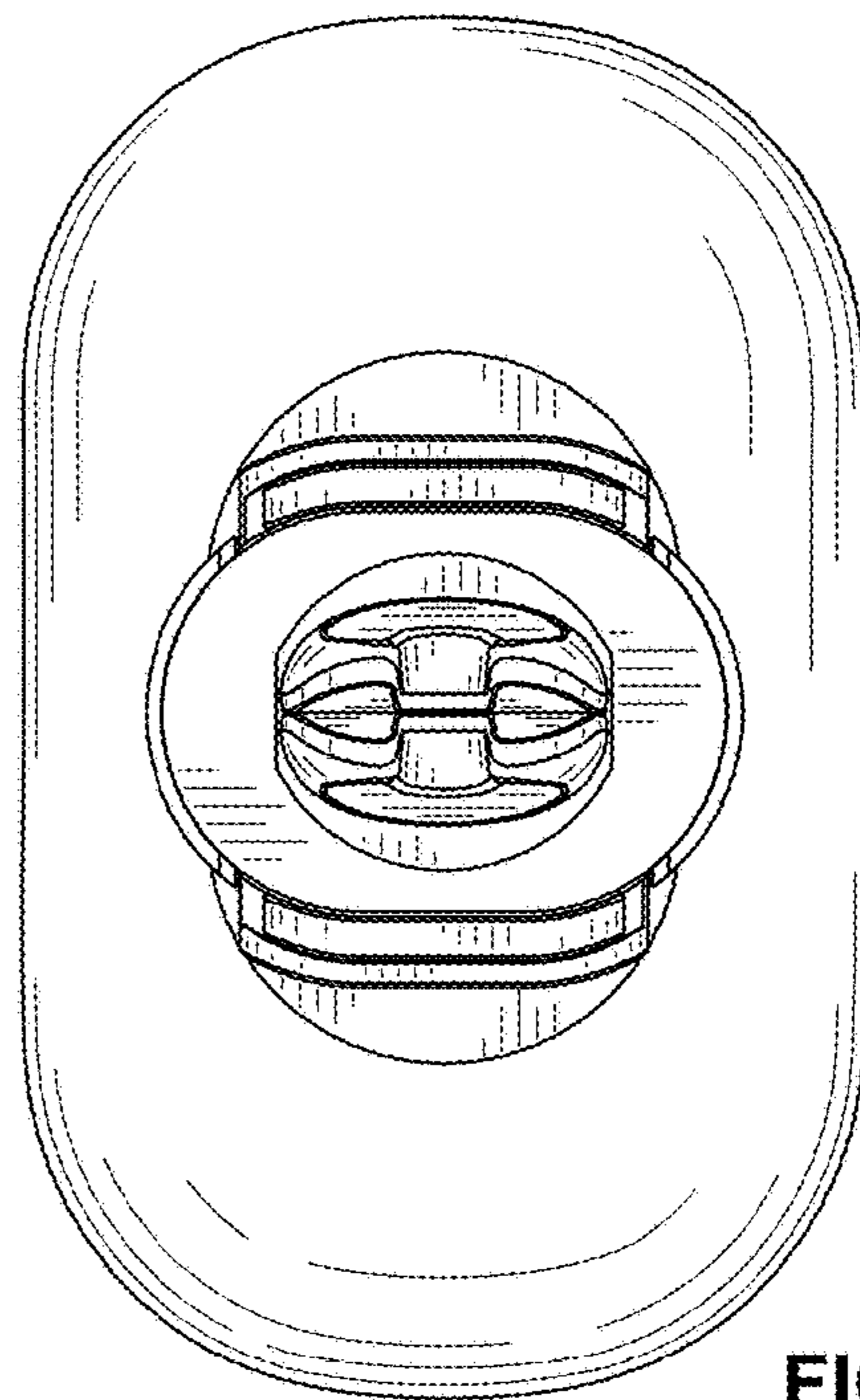


FIG. 4

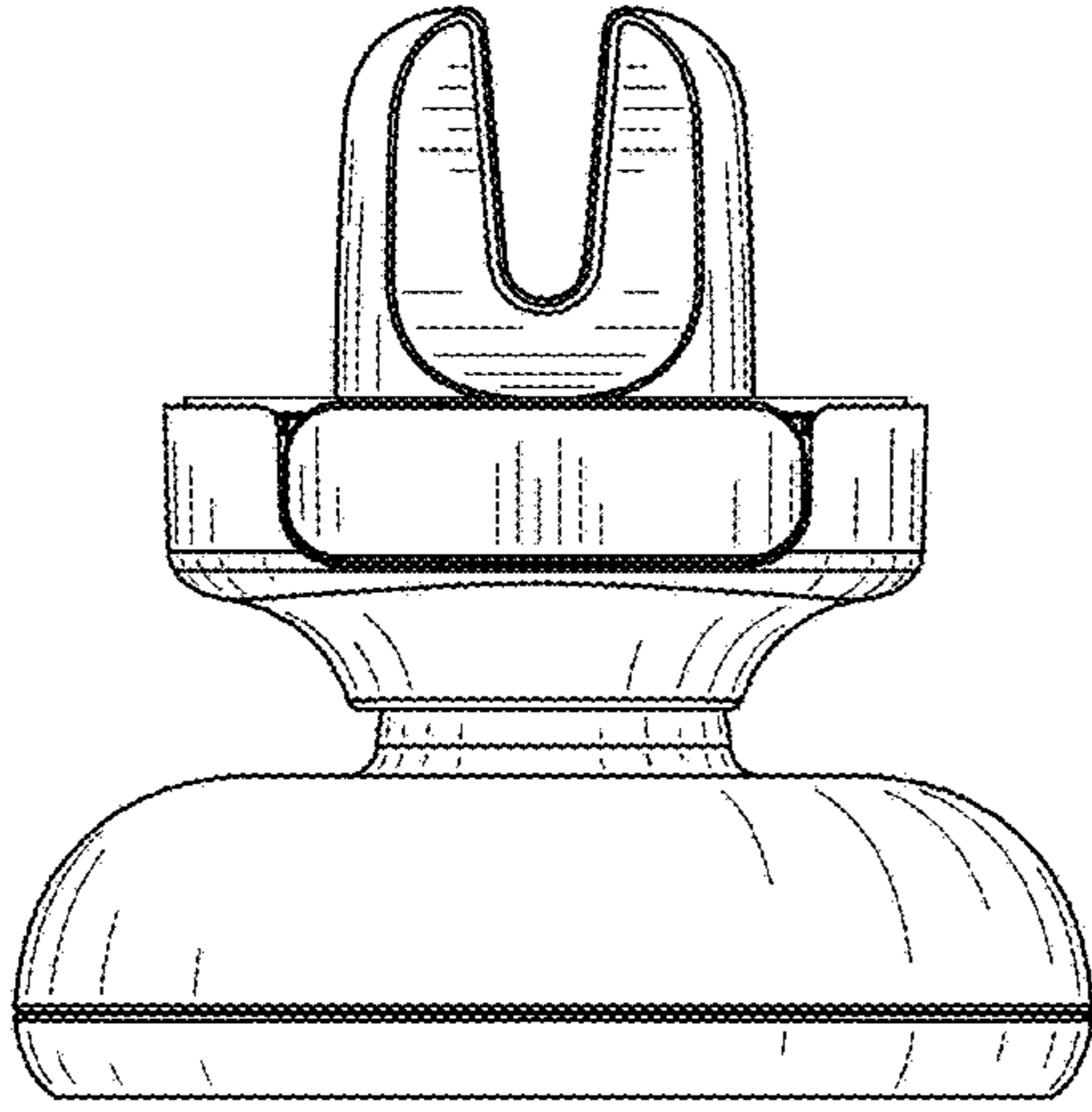


FIG. 5

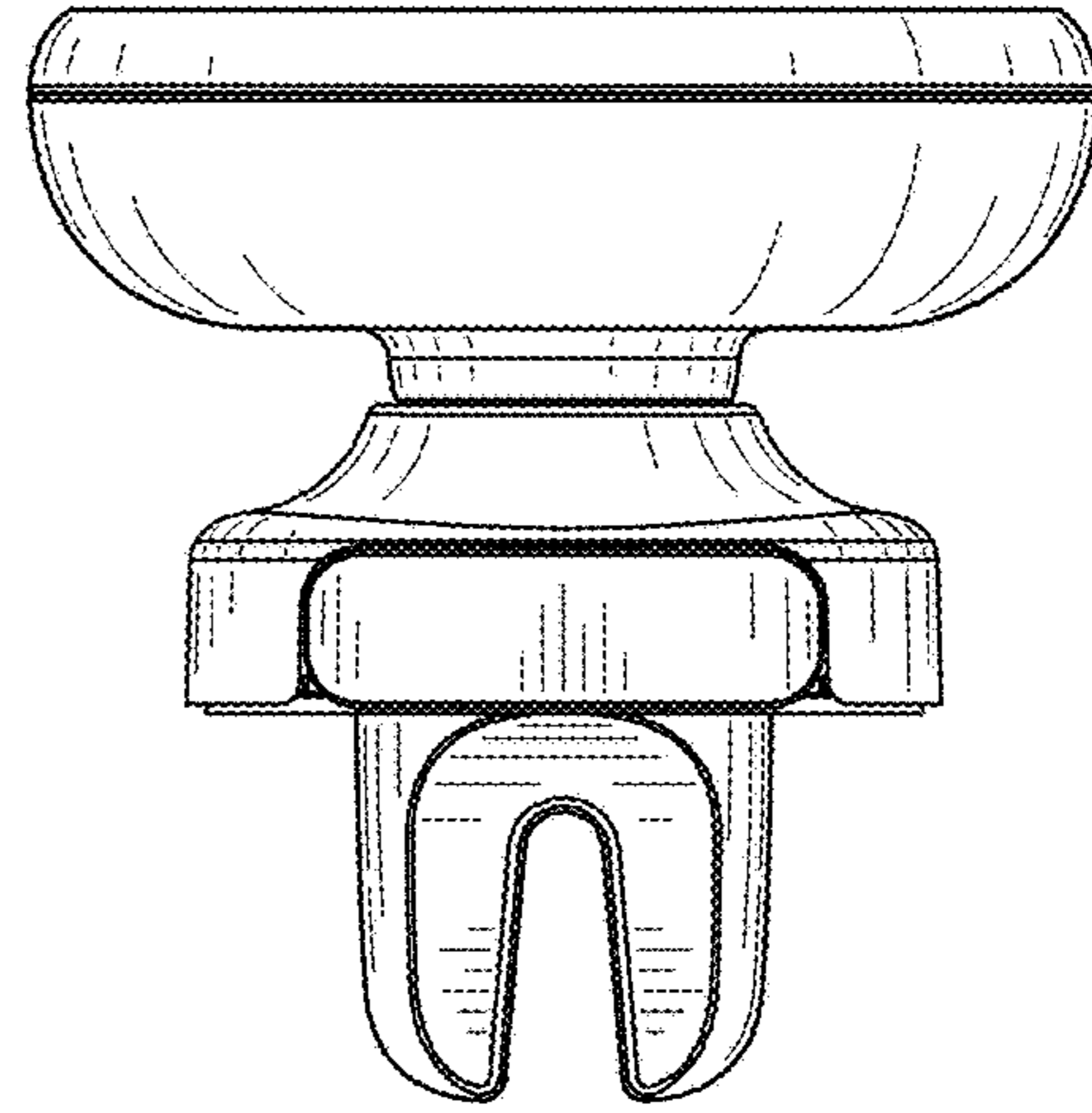


FIG. 6

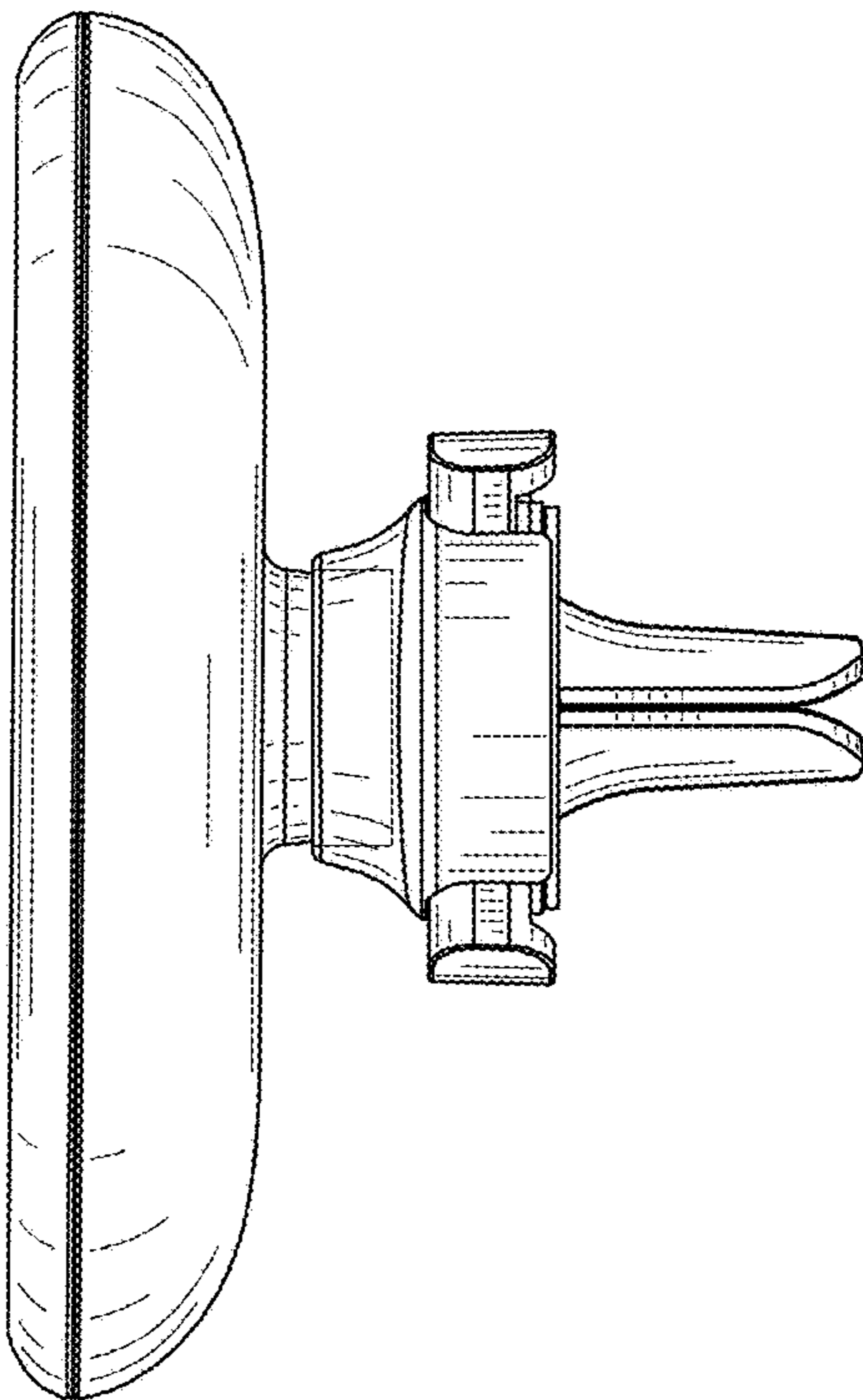


FIG. 7

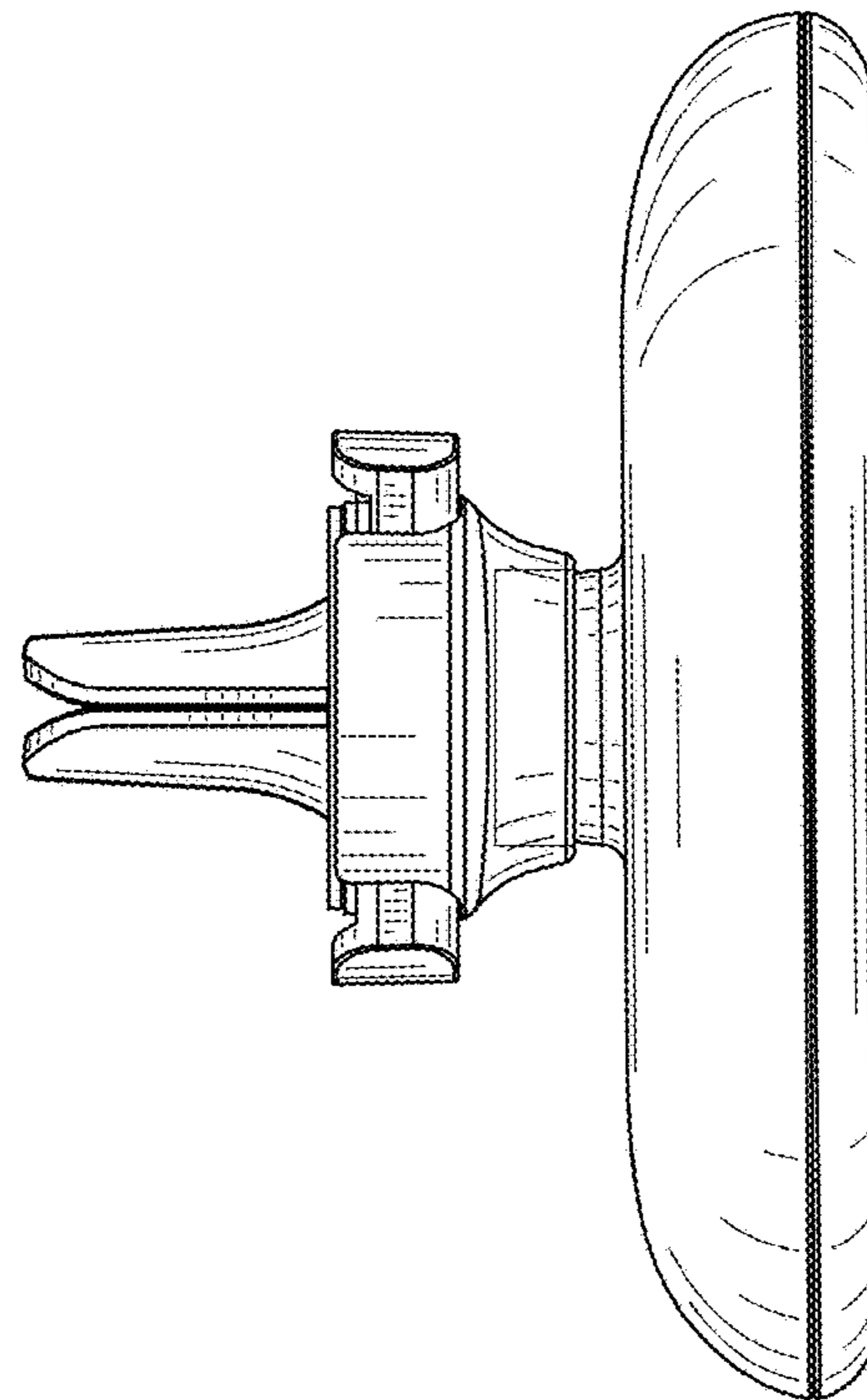


FIG. 8

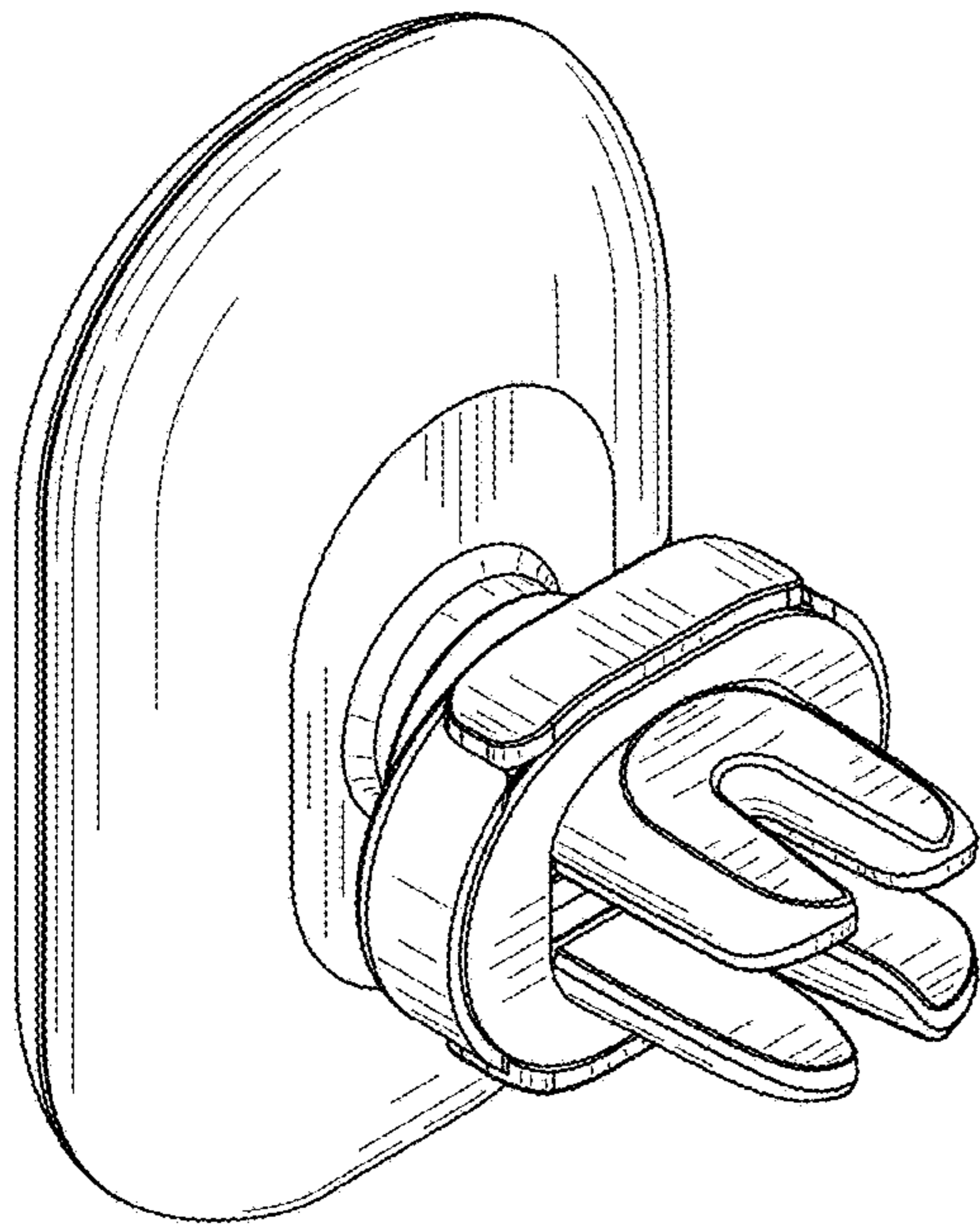


FIG. 9

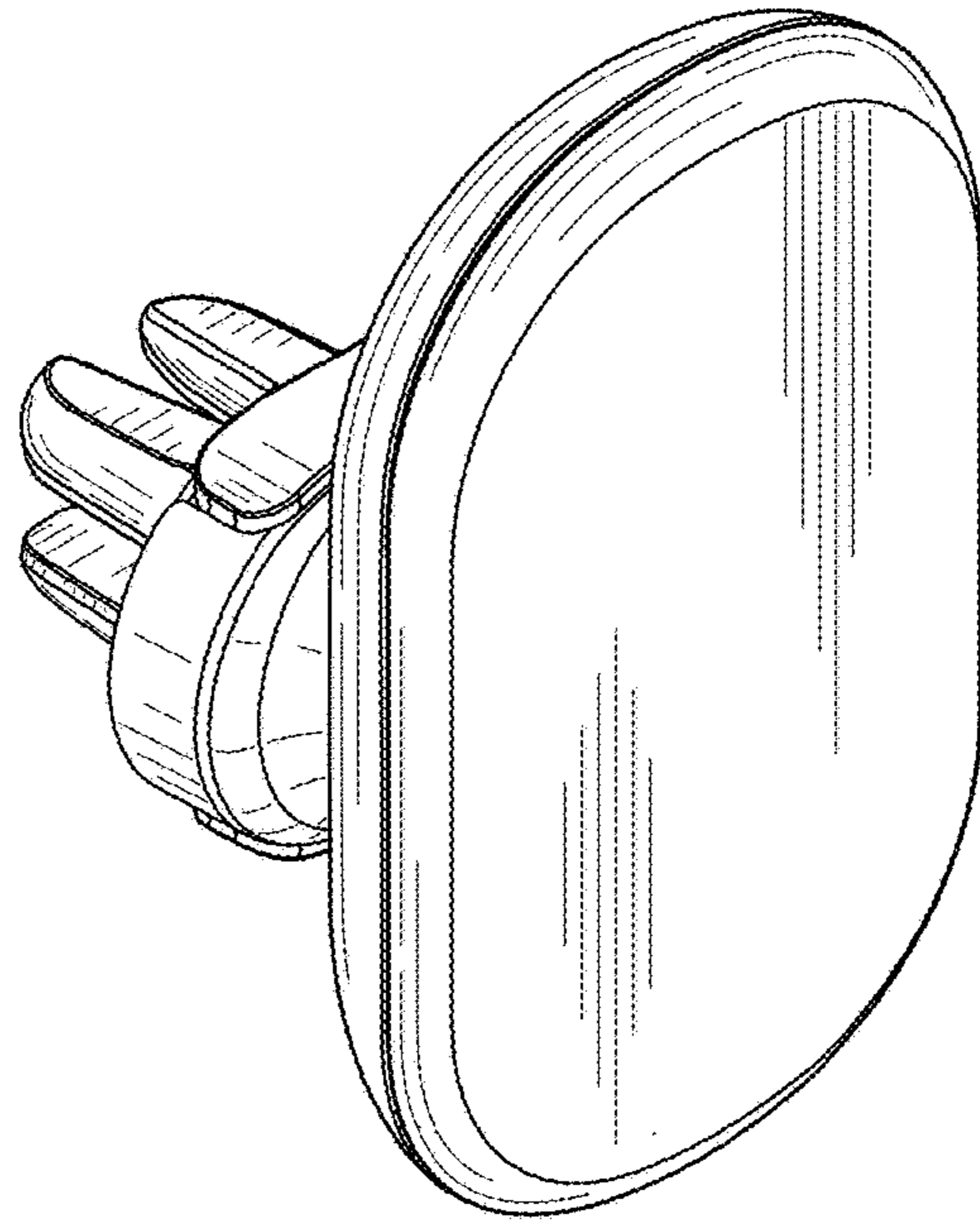


FIG. 10

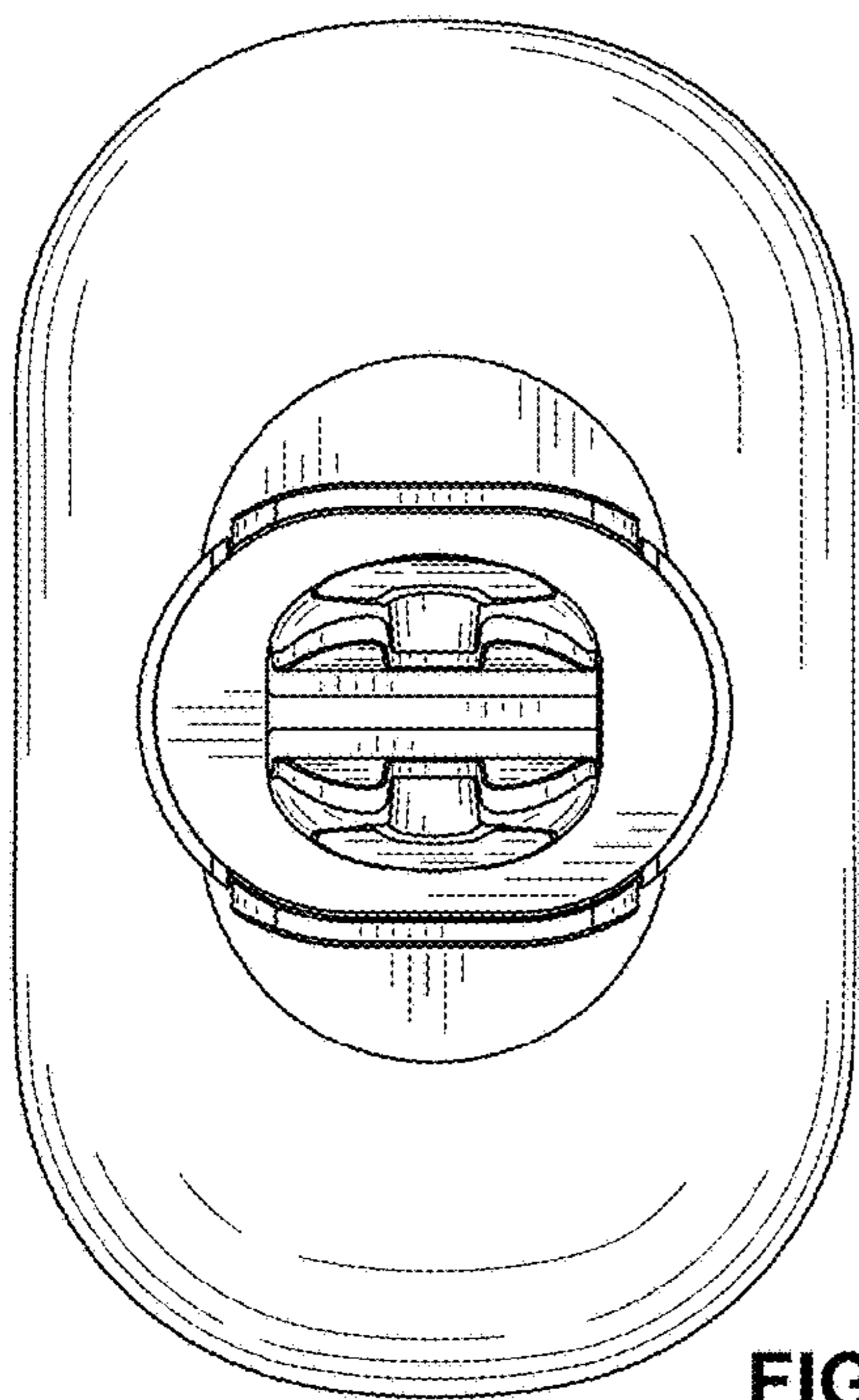


FIG. 11

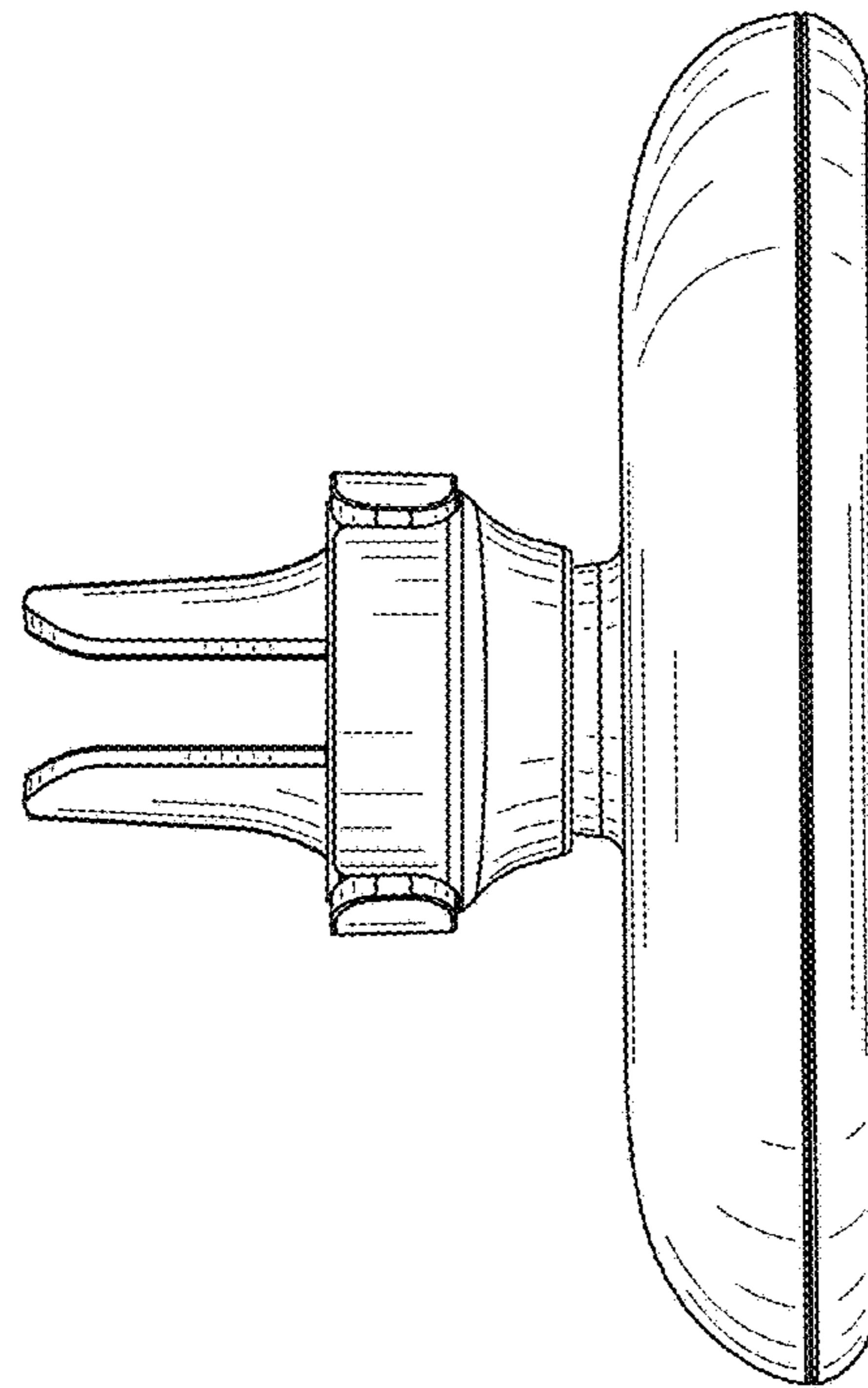


FIG. 12