



US00D849009S

(12) **United States Design Patent** (10) **Patent No.:** **US D849,009 S**
Akana et al. (45) **Date of Patent:** **** May 21, 2019**

(54) **HOUSING FRAME FOR AN ELECTRONIC DEVICE**

(71) Applicant: **Apple Inc.**, Cupertino, CA (US)

(72) Inventors: **Jody Akana**, San Francisco, CA (US); **Molly Anderson**, San Francisco, CA (US); **Bartley K. Andre**, Palo Alto, CA (US); **Shota Aoyagi**, San Francisco, CA (US); **Anthony Michael Ashcroft**, San Francisco, CA (US); **Marine C. Bataille**, San Francisco, CA (US); **Jeremy Bataillou**, San Francisco, CA (US); **Daniele De Iuliis**, San Francisco, CA (US); **Markus Diebel**, San Francisco, CA (US); **M. Evans Hankey**, San Francisco, CA (US); **Julian Hoenig**, San Francisco, CA (US); **Lee E. Hooton**, Ridge, NY (US); **Richard P. Howarth**, San Francisco, CA (US); **Jonathan P. Ive**, San Francisco, CA (US); **Julian Jaede**, San Francisco, CA (US); **Daniel W. Jarvis**, Sunnyvale, CA (US); **Duncan Robert Kerr**, San Francisco, CA (US); **David A. Pakula**, San Francisco, CA (US); **Michael D. Quinones**, Campbell, CA (US); **Marwan Rammah**, San Francisco, CA (US); **Peter Russell-Clarke**, San Francisco, CA (US); **Benjamin Andrew Shaffer**, San Jose, CA (US); **Mikael Silvanto**, San Francisco, CA (US); **Christopher J. Stringer**, Woodside, CA (US); **Joe Sung Ho Tan**, San Francisco, CA (US); **Tang Yew Tan**, San Francisco, CA (US); **Clement Tissandier**, San Francisco, CA (US); **Eugene Antony Whang**, San Francisco, CA (US); **Rico Zörkendörfer**, San Francisco, CA (US)

(73) Assignee: **Apple Inc.**, Cupertino, CA (US)

(**) Term: **15 Years**

(21) Appl. No.: **29/612,836**

(22) Filed: **Aug. 4, 2017**

(51) **LOC (11) Cl.** **14-02**

(52) **U.S. Cl.**
USPC **D14/439**

(58) **Field of Classification Search**
USPC D14/341–347, 424, 425, 432–453, 464, D14/468, 469, 471, 496, 511, 138 AA,
(Continued)

(56) **References Cited**

U.S. PATENT DOCUMENTS

D114,891 S	5/1939 Fogel
D191,070 S	8/1961 McCreery
	(Continued)

OTHER PUBLICATIONS

Wayback Machine Internet Archive, “iPhone 7 Pre-order Sep. 9,” Apple Inc., dated Sep. 7, 2016, accessed Jan. 16, 2018. Available online at <<https://web.archive.org/web/20160907191555/https://www.apple.com/shop/buy-iphone/iphone-7>>.

Primary Examiner — Austin Murphy
(74) *Attorney, Agent, or Firm* — Sterne, Kessler, Goldstein & Fox P.L.L.C.

(57) **CLAIM**

The ornamental design for a housing frame for an electronic device, as shown and described.

DESCRIPTION

FIG. 1 is a bottom front perspective view of a housing frame for an electronic device showing the claimed design;
 FIG. 2 is a top rear perspective view thereof;
 FIG. 3 is a front view thereof;
 FIG. 4 is a rear view thereof;
 FIG. 5 is a left side view thereof;
 FIG. 6 is a right side view thereof;

(Continued)

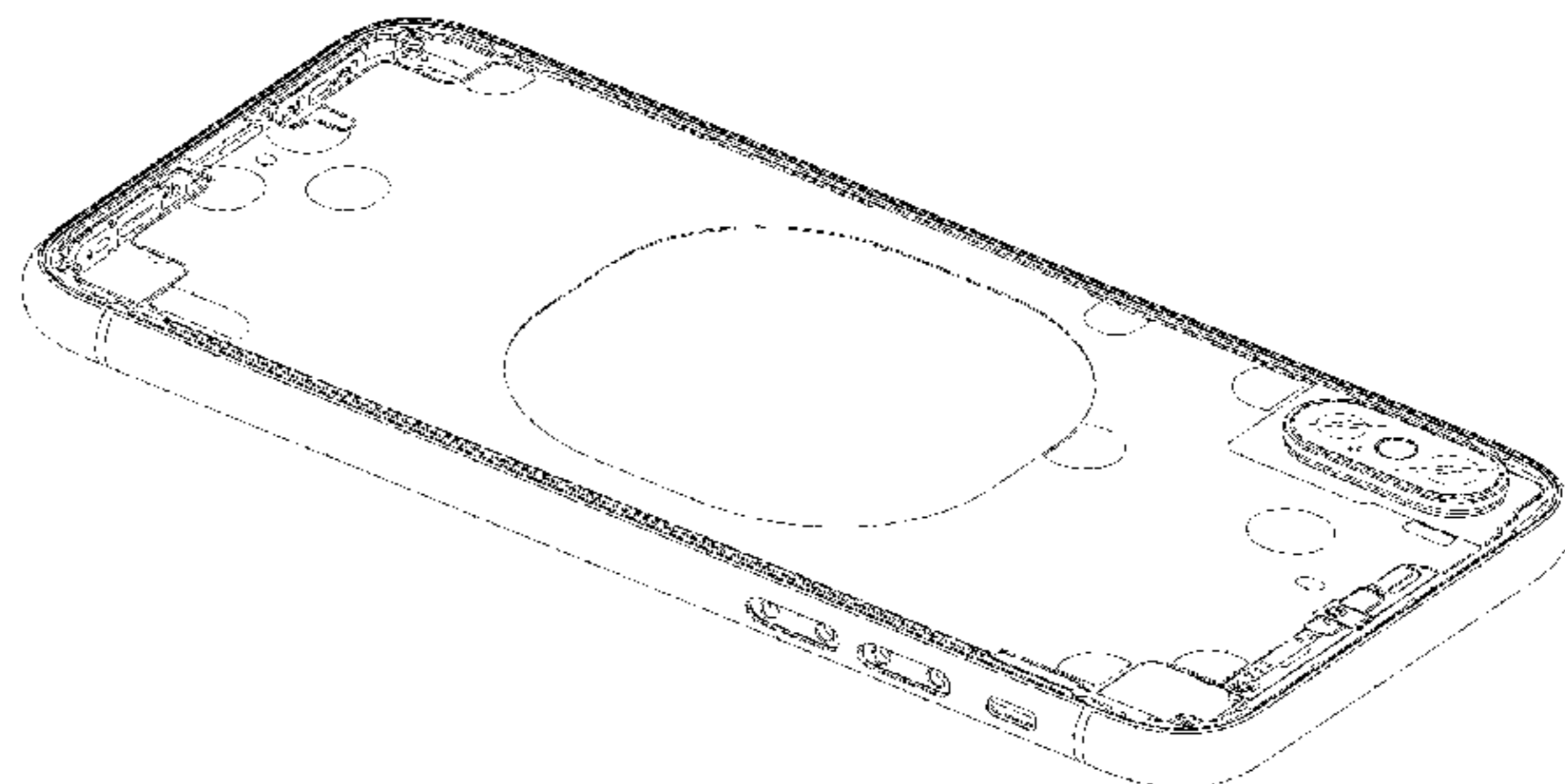
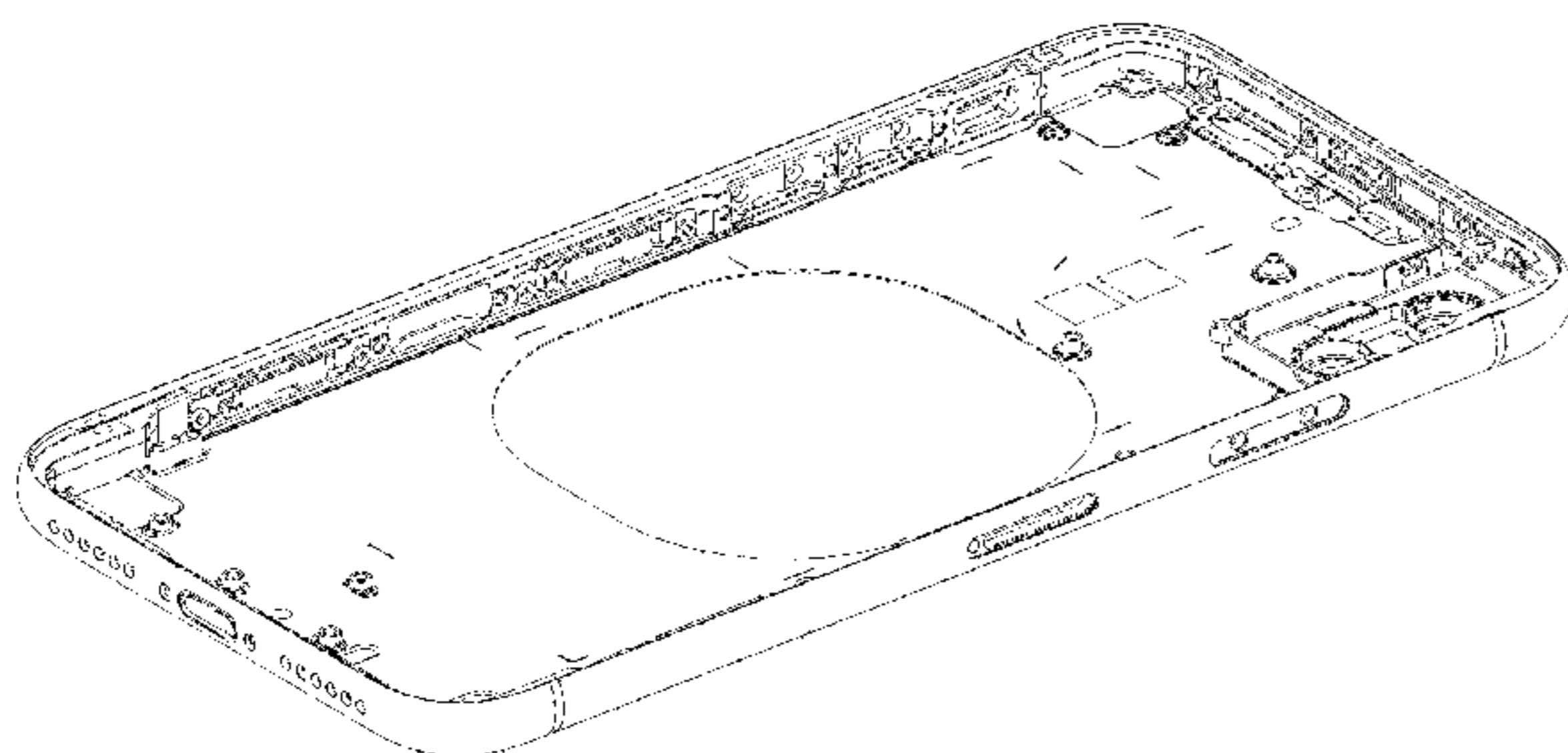


FIG. 7 is a top view thereof; and,
 FIG. 8 is a bottom view thereof.
 The oblique shade lines in the figures show transparency or translucency.

1 Claim, 6 Drawing Sheets

(58) **Field of Classification Search**

USPC ... D14/138 AD, 138 C, 138 G, 203.1–203.8,
 D14/217, 238.1, 248, 250, 257, 299;
 361/679.01, 679.02, 679.03, 679.3,
 361/679.55, 679.56; 455/550.1, 556.1,
 455/556.2, 575.1, 575.3–575.5, 575.8,
 455/90.3

CPC H04M 1/0277; H04M 1/0202; H04M 1/02;
 H04B 1/3838

See application file for complete search history.

(56) **References Cited**

U.S. PATENT DOCUMENTS

D411,448 S 6/1999 Baker
 D556,681 S 12/2007 Kim
 D574,819 S 8/2008 Andre et al.
 D575,056 S 8/2008 Tan
 7,697,281 B2 4/2010 Dabov et al.
 D619,361 S 7/2010 Andre et al.
 D622,716 S 8/2010 Andre et al.
 D623,180 S 9/2010 Diebel
 D624,403 S 9/2010 Hansen et al.

7,796,381 B2 9/2010 Zuo et al.
 D624,815 S 10/2010 Hansen et al.
 D625,524 S 10/2010 Schwartz et al.
 D647,519 S 10/2011 Rothbaum et al.
 D648,718 S 11/2011 Andre et al.
 D662,503 S 6/2012 Akana et al.
 D666,202 S * 8/2012 Dinh D14/439
 8,250,724 B2 8/2012 Dabov et al.
 D677,664 S 3/2013 Akana et al.
 D681,032 S 4/2013 Akana et al.
 D697,068 S * 1/2014 Andre H01Q 1/243
 D14/439
 D697,511 S 1/2014 Andre et al.
 D697,918 S 1/2014 Akana et al.
 D699,717 S * 2/2014 Akana D14/250
 D714,294 S * 9/2014 Dinh D14/439
 D718,753 S 12/2014 Akana et al.
 D723,567 S 3/2015 Akana et al.
 D729,809 S 5/2015 Akana et al.
 D730,361 S * 5/2015 Akana D14/439
 D732,539 S 6/2015 Akana et al.
 D733,146 S 6/2015 Akana et al.
 D735,726 S 8/2015 Chen
 D747,319 S 1/2016 Lee
 D747,723 S 1/2016 Kim et al.
 D749,590 S * 2/2016 Dinh D14/439
 D749,591 S * 2/2016 Akana D14/439
 D759,008 S 6/2016 Akana et al.
 D768,637 S * 10/2016 Akana D14/439
 D791,139 S * 7/2017 Akana D14/439
 D803,209 S 11/2017 Akana et al.
 D824,389 S * 7/2018 Dinh D14/439
 D824,390 S * 7/2018 Akana D14/439
 D831,025 S * 10/2018 Akana D14/341
 2010/0146766 A1 6/2010 Dabov et al.

* cited by examiner

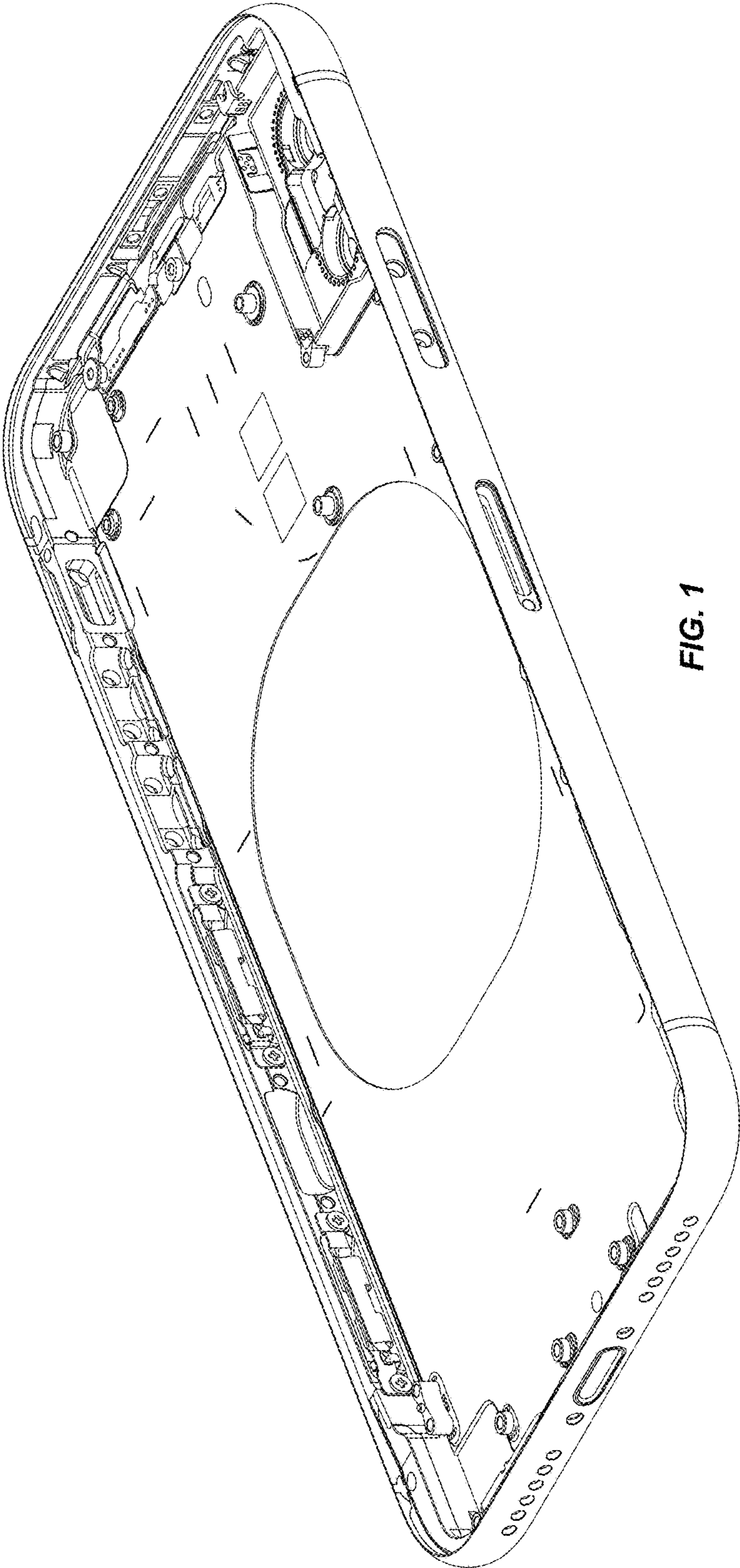


FIG. 1

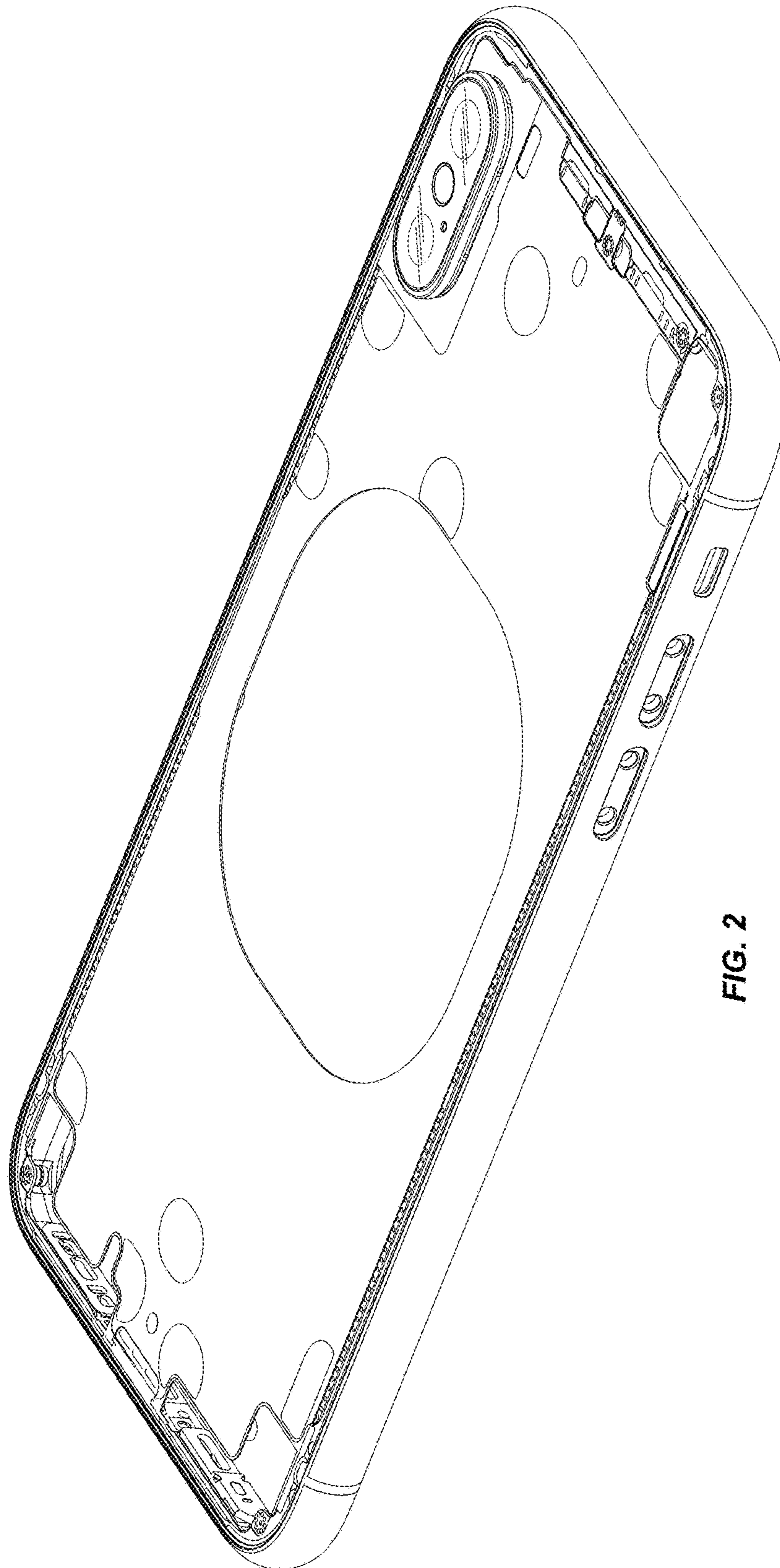


FIG. 2

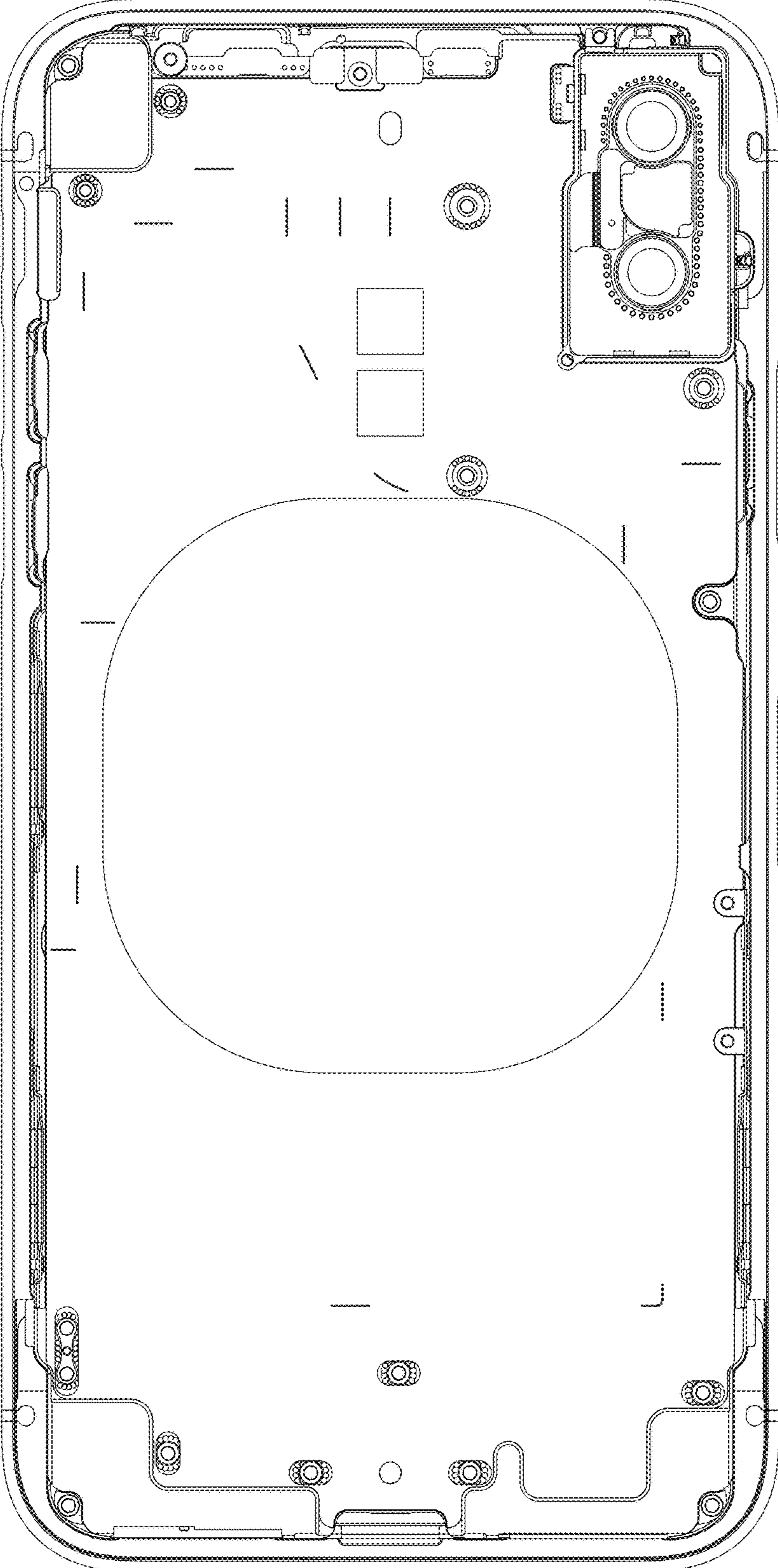


FIG. 3

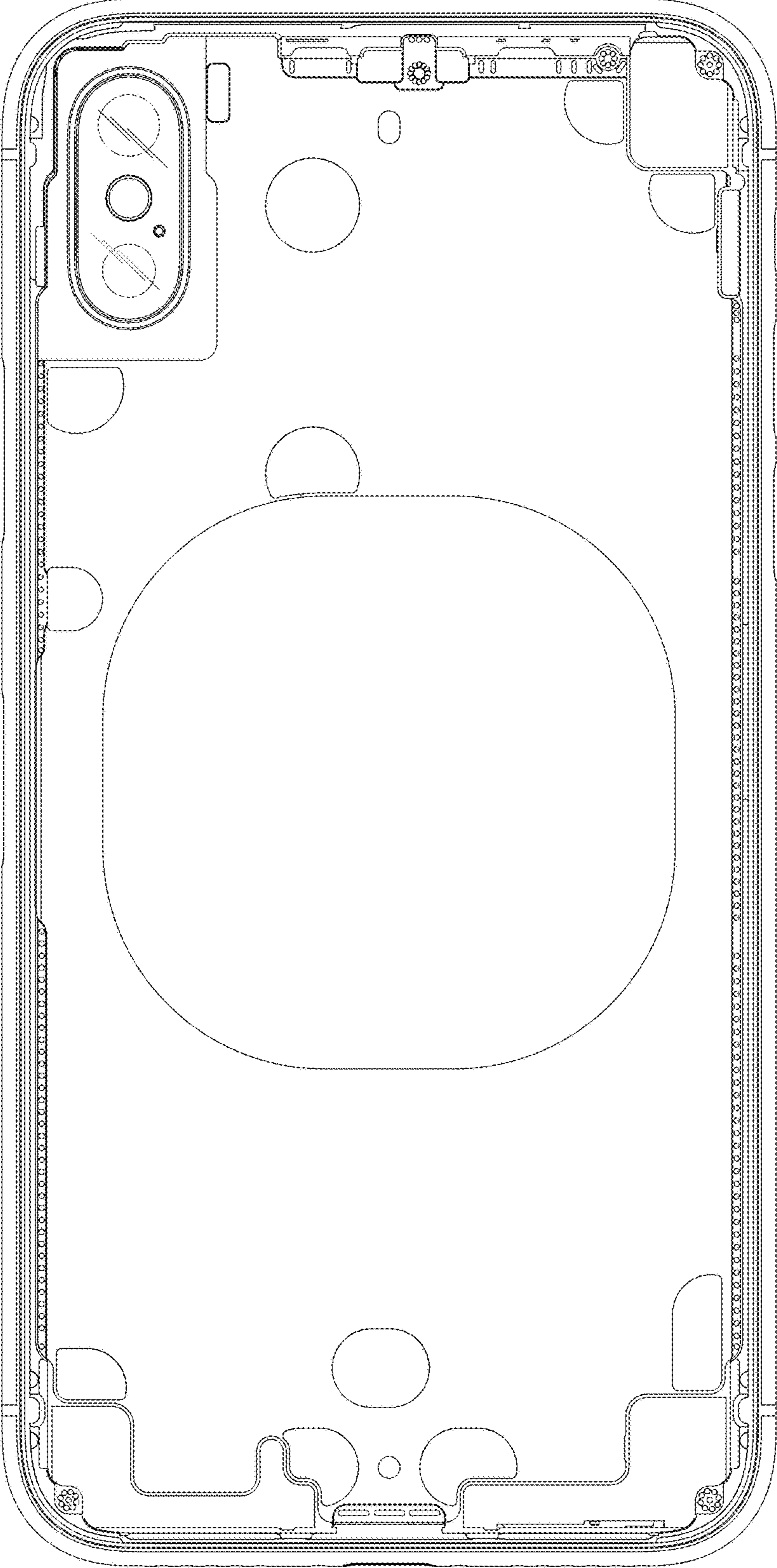


FIG. 4

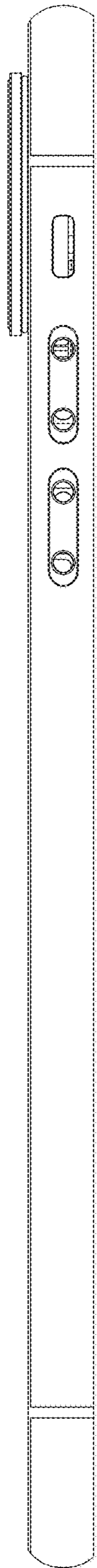


FIG. 5

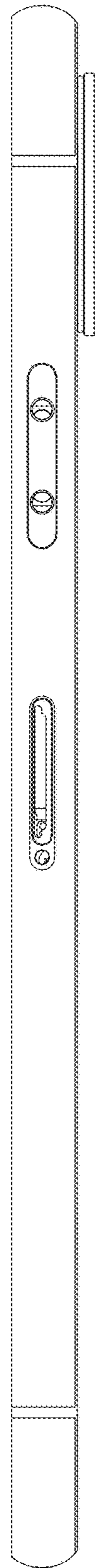


FIG. 6

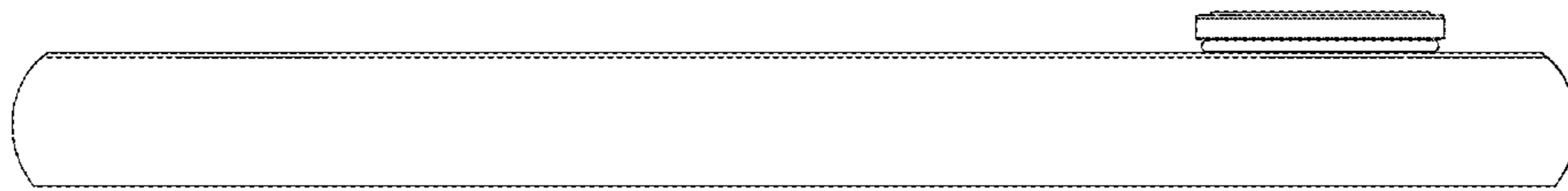


FIG. 7

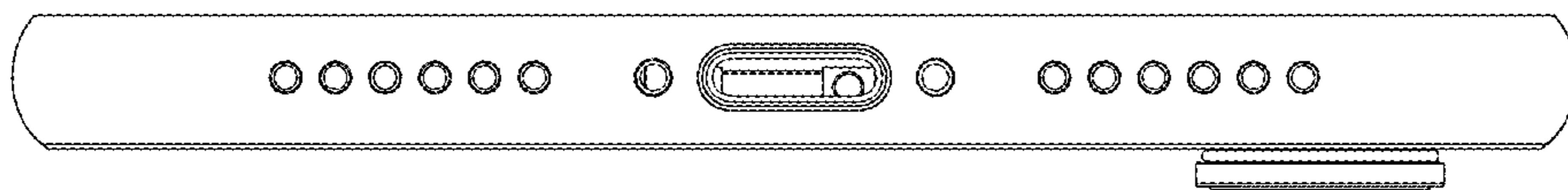


FIG. 8