



US00D849007S

(12) **United States Design Patent** (10) **Patent No.:** **US D849,007 S**  
**Clayman, Jr. et al.** (45) **Date of Patent:** **\*\* May 21, 2019**

(54) **UAV REMOTE CONTROL MOUNT ADAPTER APPARATUS**

FOREIGN PATENT DOCUMENTS

(71) Applicant: **Satori Aerial LLC**, Irvine, CA (US)

JP 04142169 A \* 5/1992

(72) Inventors: **Gary J. Clayman, Jr.**, Irvine, CA (US);  
**Wilhelmus H. Sijen**, Long Beach, CA (US)

OTHER PUBLICATIONS

(73) Assignee: **Satori Aerial LLC**, Irvine, CA (US)

Gimbal-Guard PHANTOM4 RC to tripod mount, published at [http://www.gimbal-guard.com/\\_p/prd13/4496851781/product/remote-control-to-tripod-connector](http://www.gimbal-guard.com/_p/prd13/4496851781/product/remote-control-to-tripod-connector).

Hoodman USA Drone Controller Tripod Mount for DJI, published at <http://shop.hoodmanusa.com/product-p/hdcmdji.htm>.

(\*\*) Term: **15 Years**

\* cited by examiner

(21) Appl. No.: **29/655,328**

*Primary Examiner* — Sheryl Lane

*Assistant Examiner* — Calvin E Vansant

(22) Filed: **Jul. 2, 2018**

(74) *Attorney, Agent, or Firm* — Entralta P.C.; Justin G. Sanders; Peter D. Weinstein

(51) **LOC (11) Cl.** ..... **14-02**

(52) **U.S. Cl.**  
USPC ..... **D14/433**; D12/174

(57) **CLAIM**

The ornamental design for a UAV remote control mount adapter apparatus, as shown and described.

(58) **Field of Classification Search**  
USPC ..... D12/174; D14/433; D16/242, 244–245  
CPC ..... F16M 11/04; F16M 13/00  
See application file for complete search history.

**DESCRIPTION**

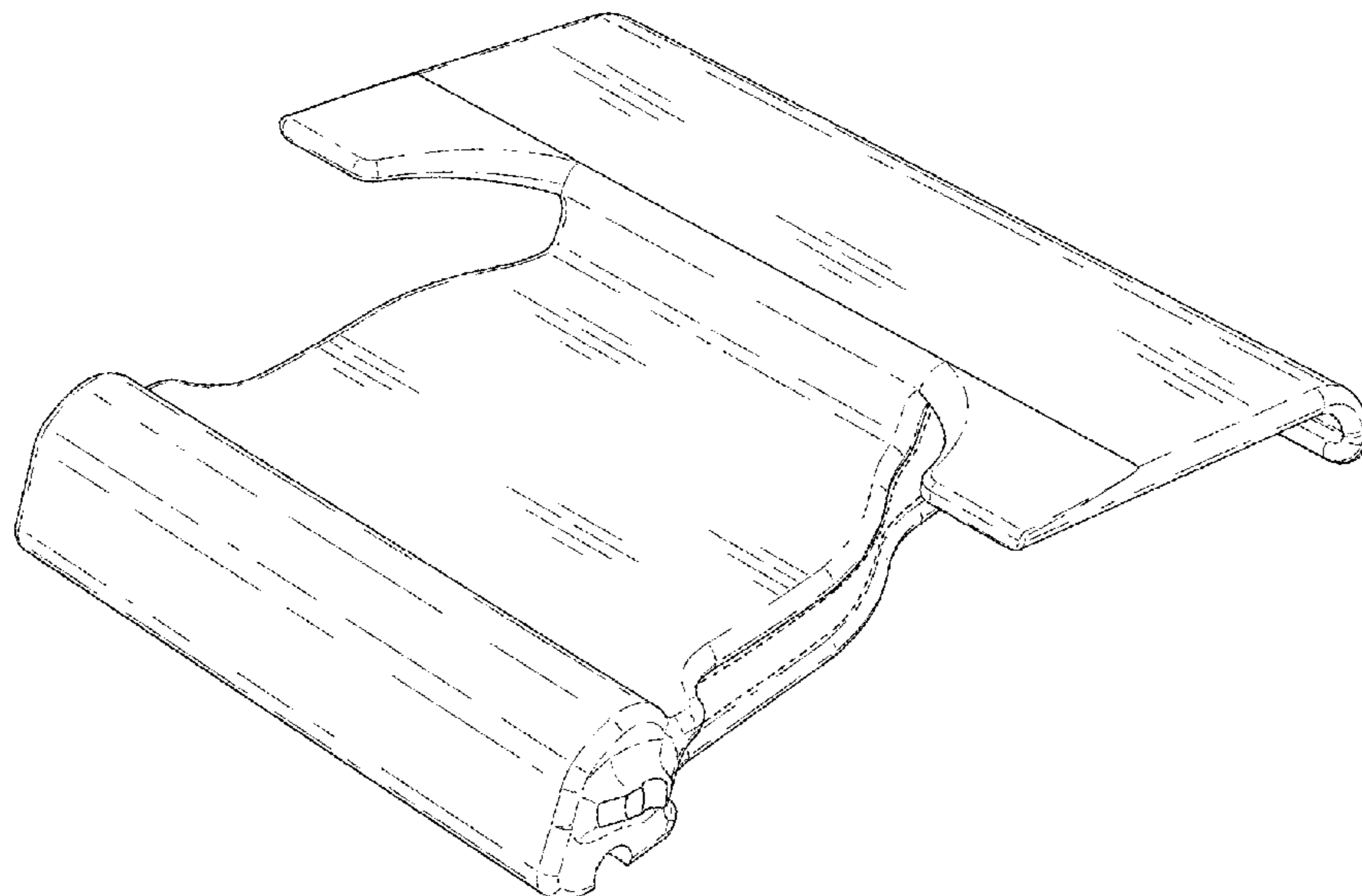
(56) **References Cited**

U.S. PATENT DOCUMENTS

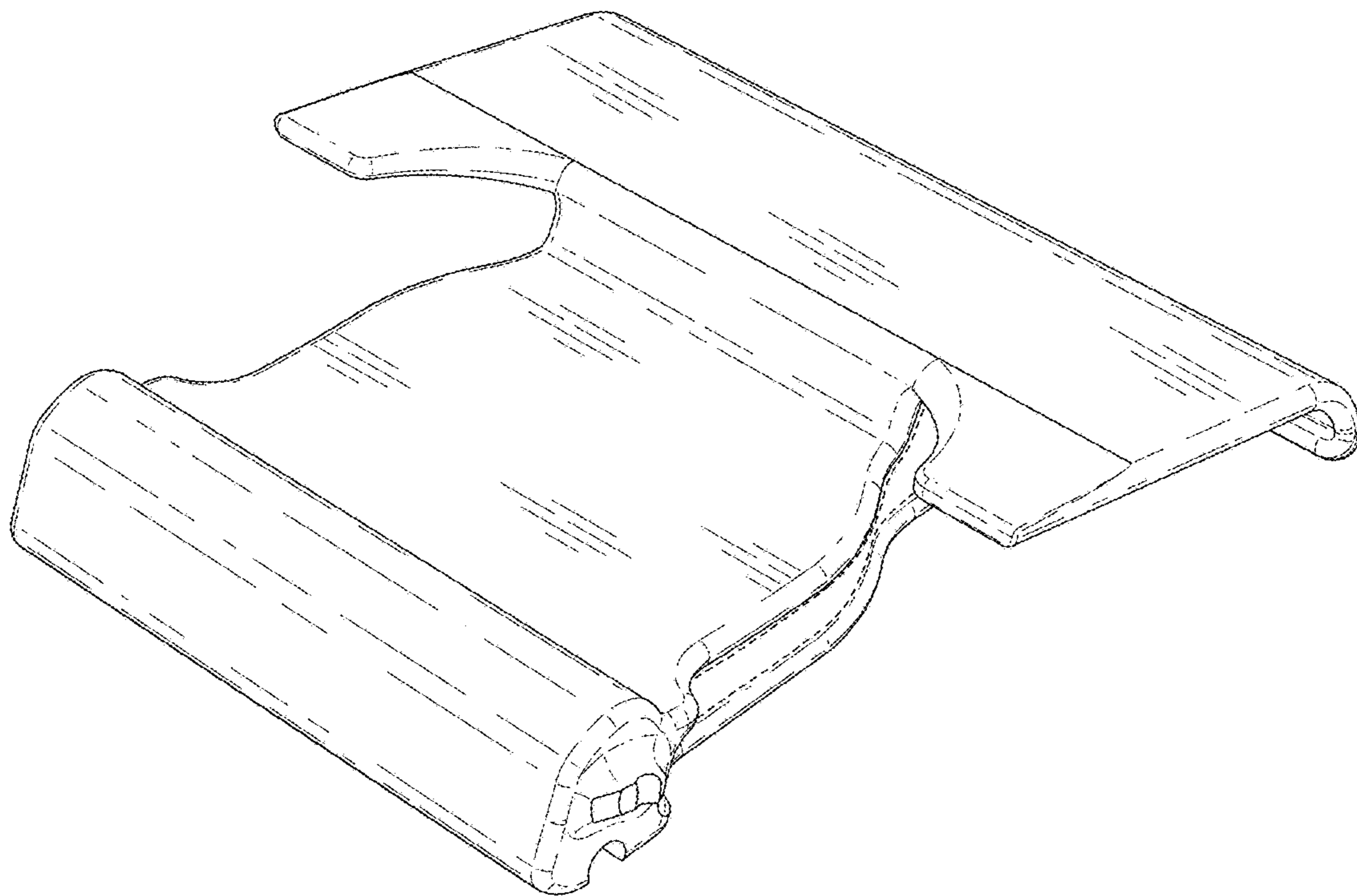
D353,825 S *	12/1994	Forbes	.....	D16/242
D357,267 S *	4/1995	Yotsuya	.....	D16/244
D476,359 S *	6/2003	Mittler	.....	D14/433
7,390,130 B2 *	6/2008	Soulvie	.....	G03B 17/00 348/373
D649,576 S *	11/2011	Jannard	.....	D16/242
D659,178 S *	5/2012	Huang	.....	D16/242
D688,725 S *	8/2013	Tsai	.....	D16/242
D732,602 S *	6/2015	Nokuo	.....	D16/242
D750,540 S *	3/2016	Suzuki	.....	D12/174
D751,476 S *	3/2016	Suzuki	.....	D12/174
D822,379 S *	7/2018	Li	.....	D3/218
10,092,105 B2 *	10/2018	Cohen	.....	A47B 97/08

FIG. 1 is a perspective view showing our new UAV remote control mount adapter apparatus design;  
FIG. 2 is a lower perspective view thereof;  
FIG. 3 is a front view thereof;  
FIG. 4 is a rear view thereof;  
FIG. 5 is a right side view thereof;  
FIG. 6 is a left side view thereof;  
FIG. 7 is a top view thereof;  
FIG. 8 is a bottom view thereof; and,  
FIG. 9 is a right side view thereof, as engaged with an exemplary tripod and an exemplary UAV remote design.  
The broken lines shown are included only for the purpose of illustrating unclaimed portions of the article along with environmental subject matter, and form no part of the claimed design.

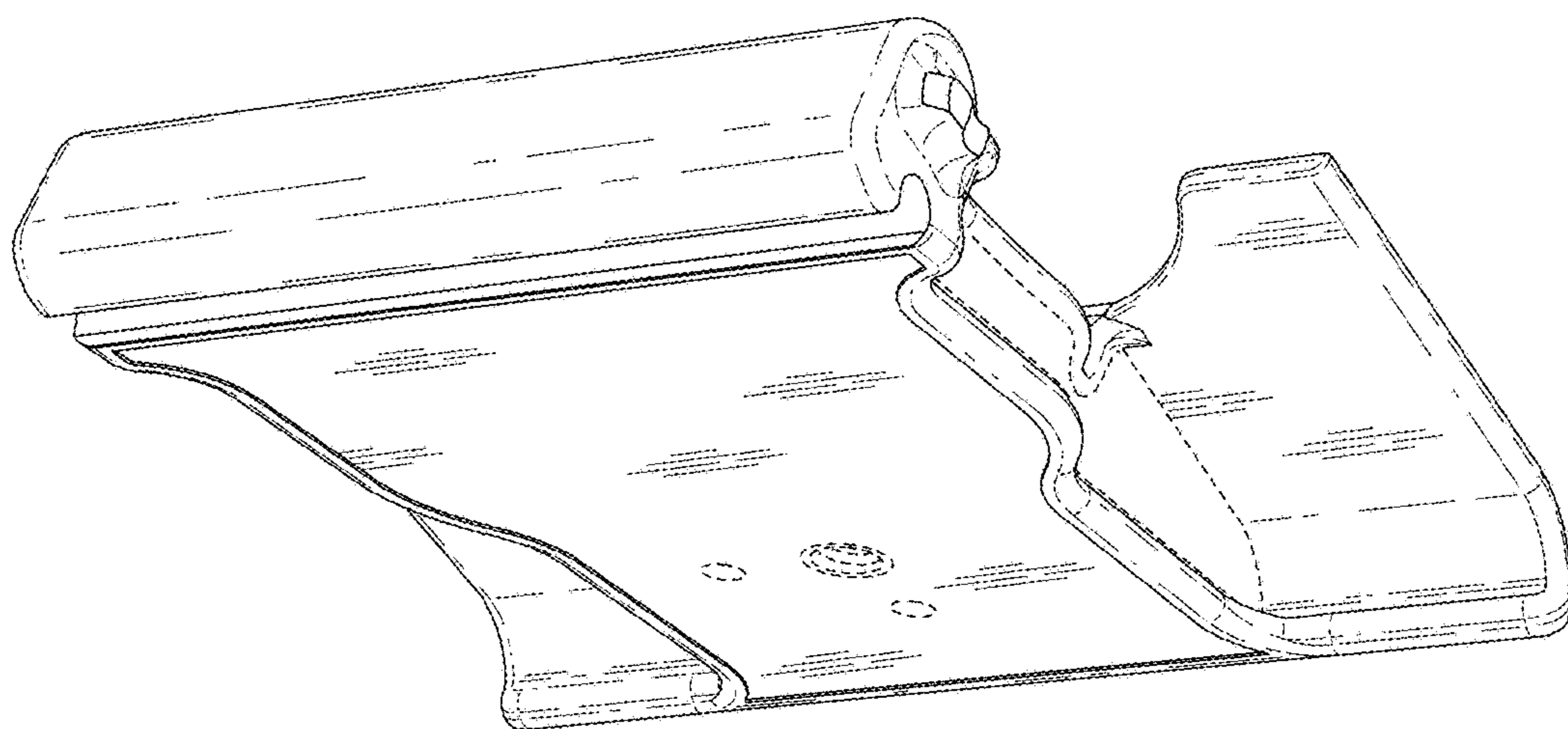
**1 Claim, 4 Drawing Sheets**



1/4

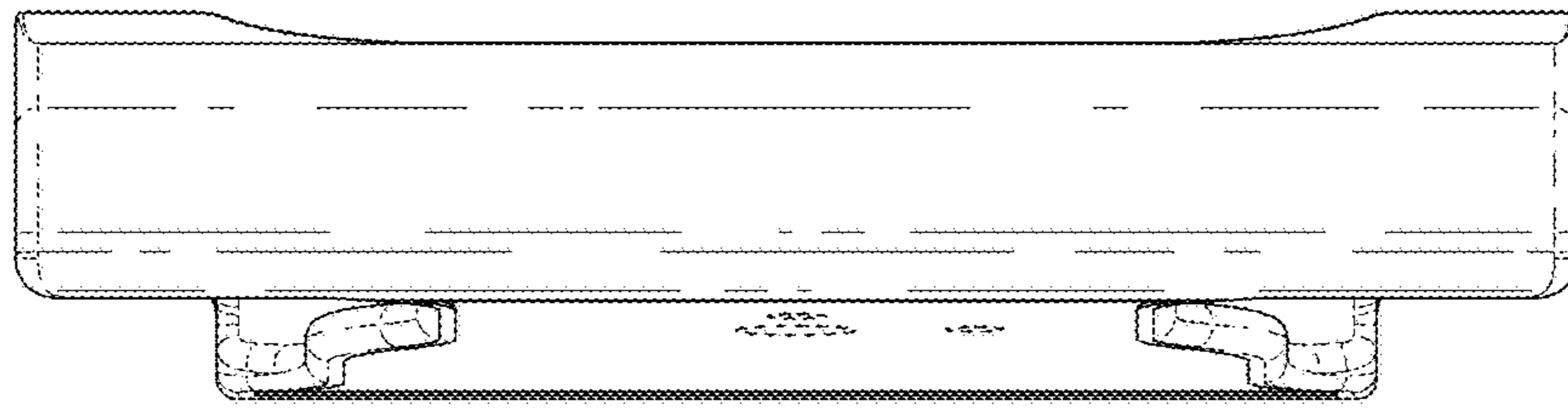


*Fig. 1*

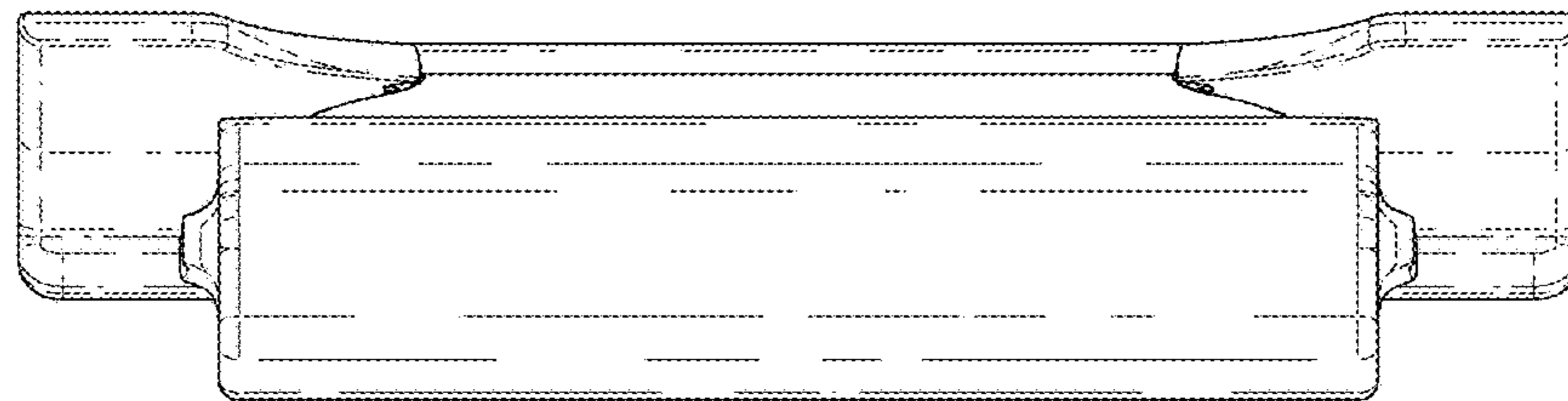


*Fig. 2*

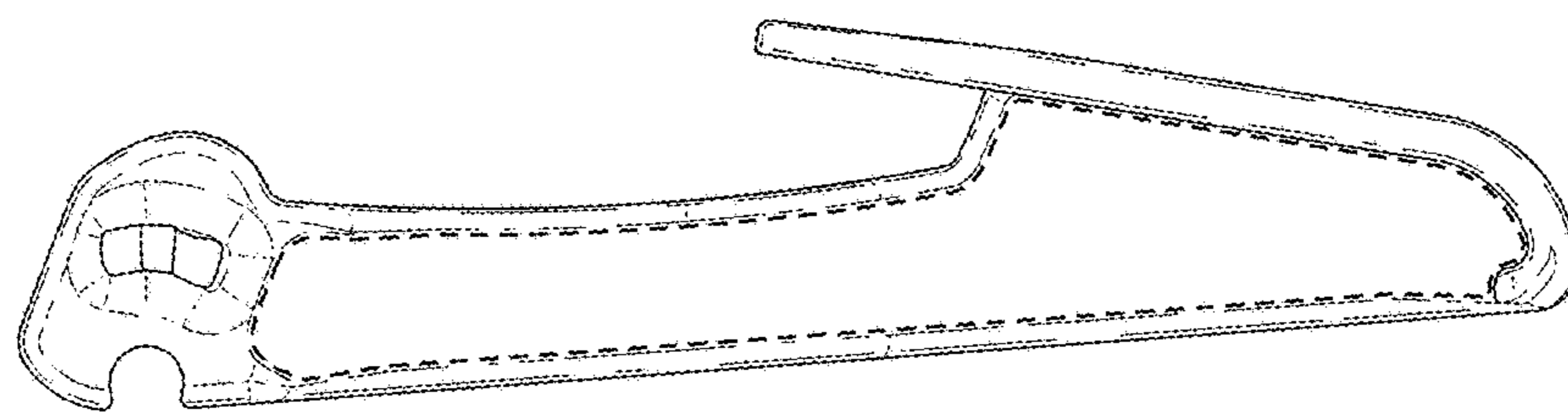
2/4



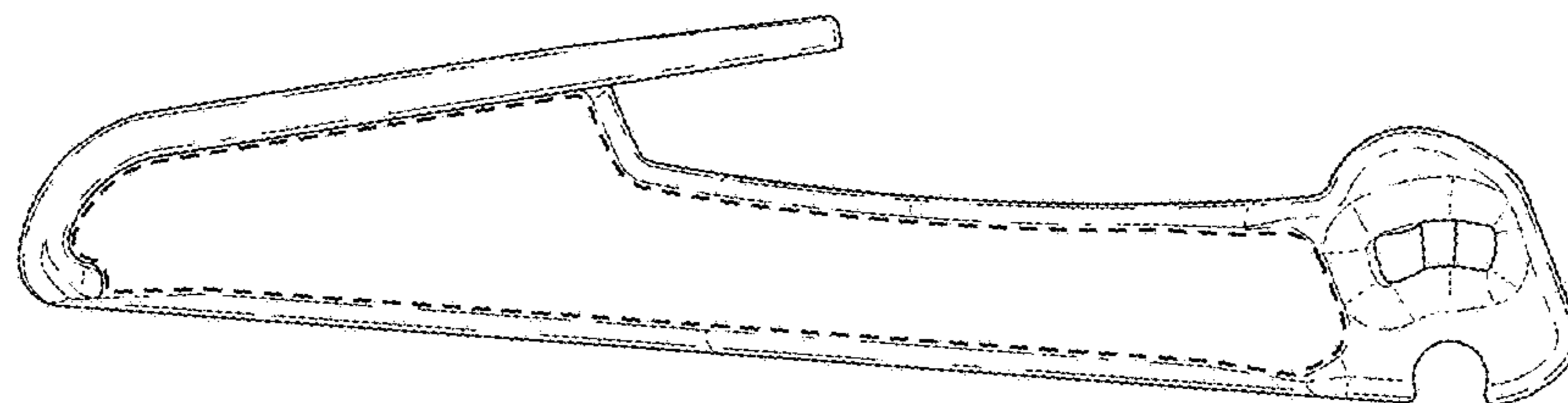
*Fig. 3*



*Fig. 4*

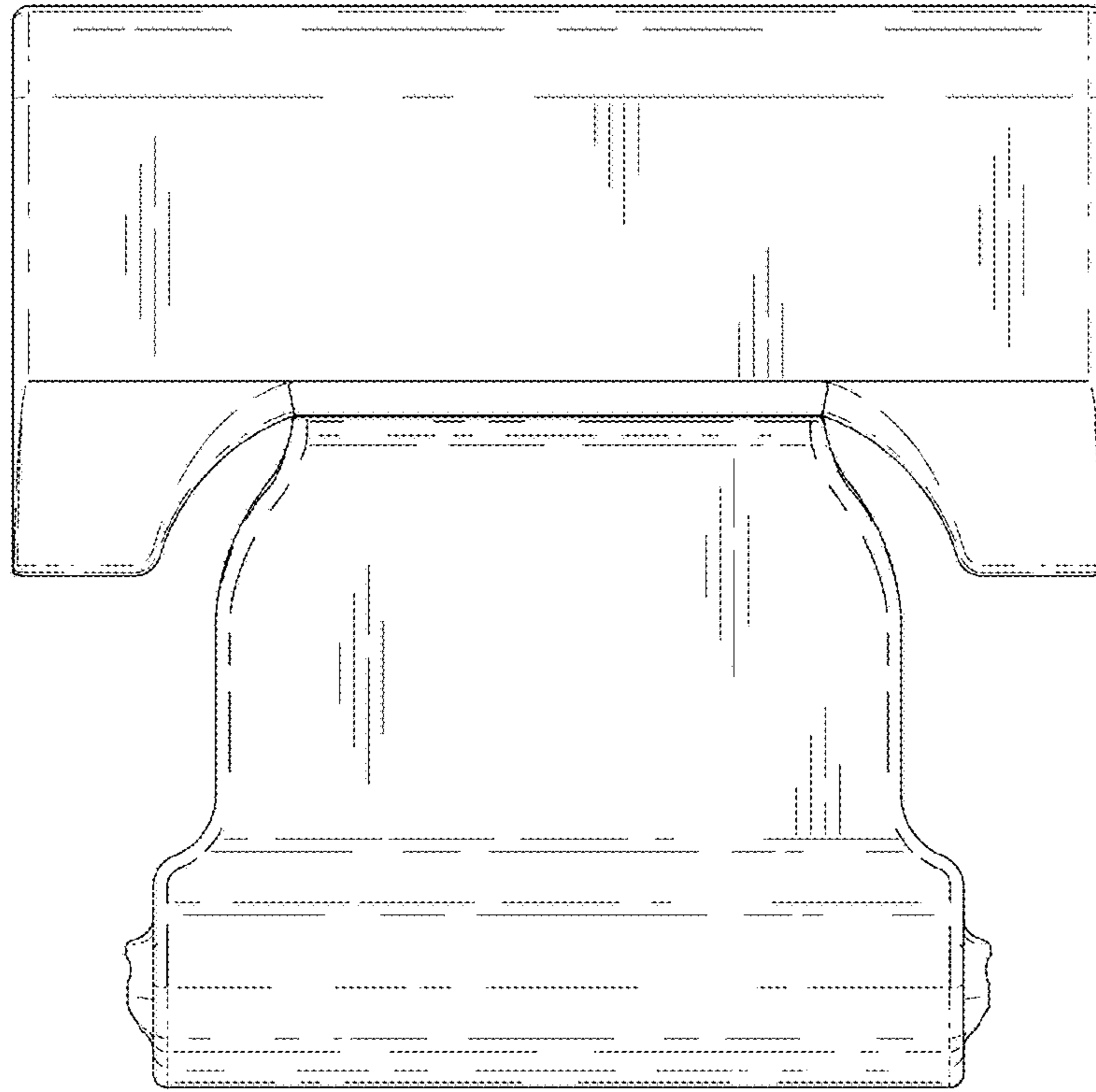


*Fig. 5*

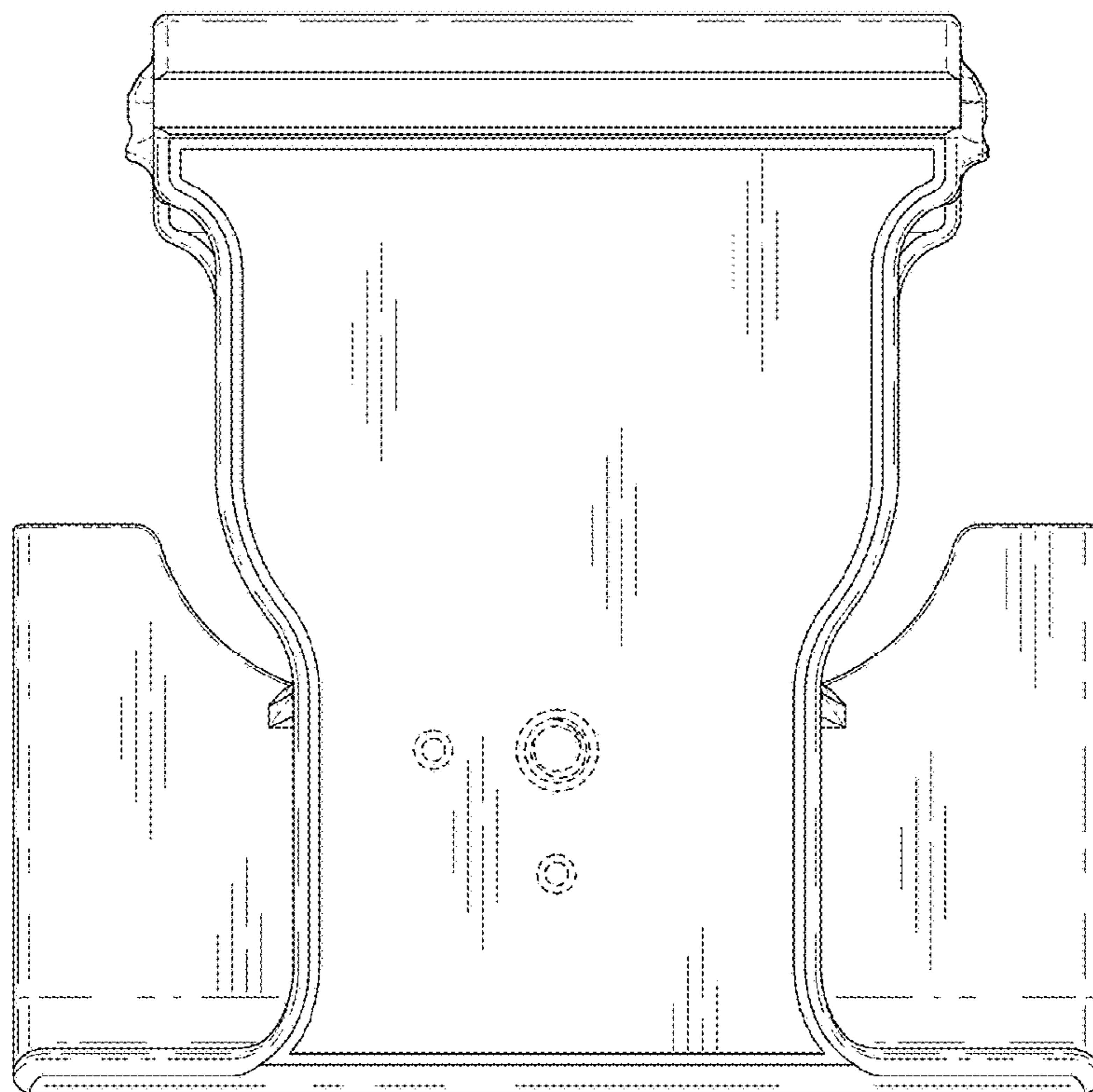


*Fig. 6*

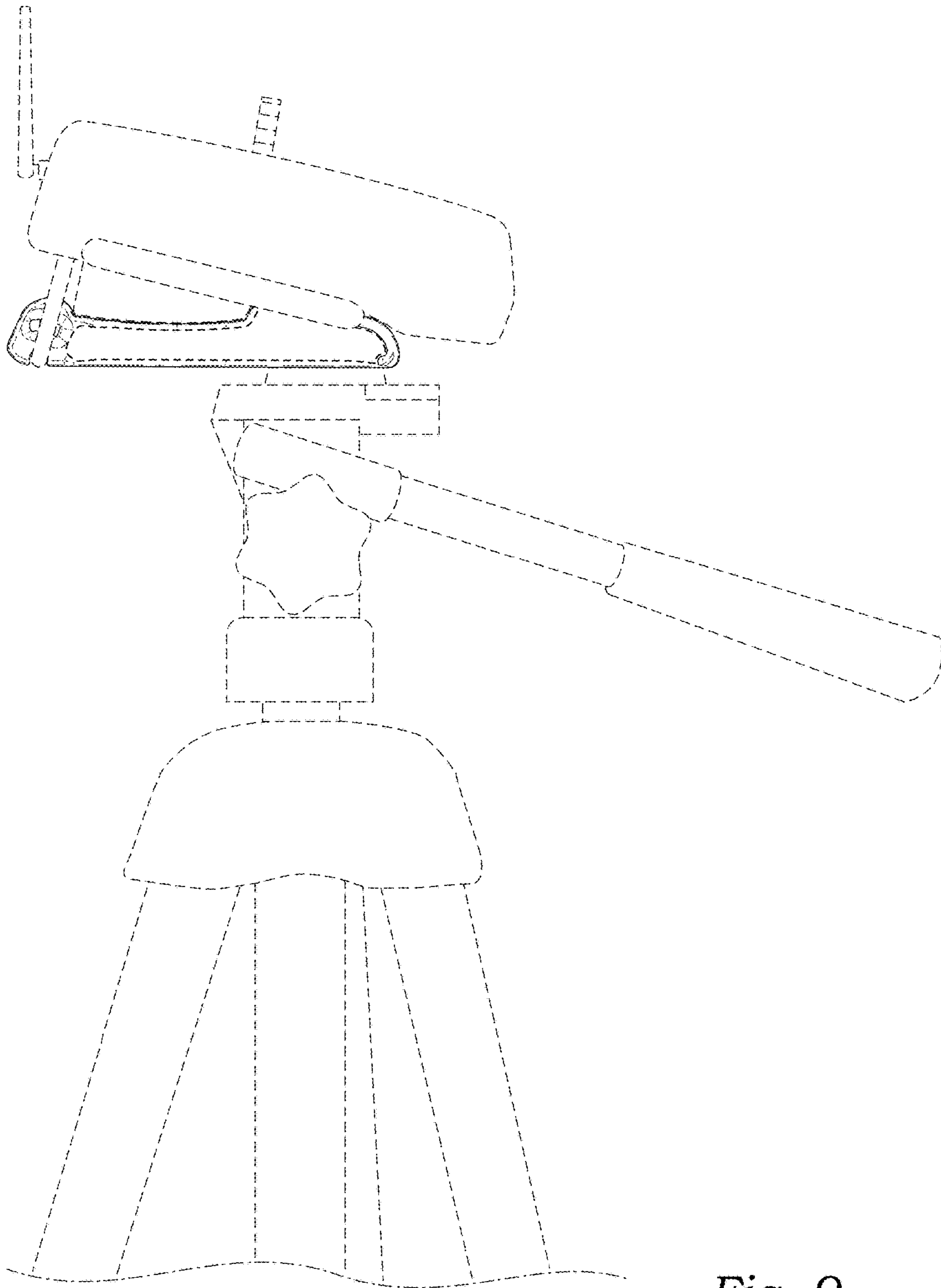




*Fig. 7*



*Fig. 8*



*Fig. 9*