



US00D849006S

(12) **United States Design Patent**
Pang et al.

(10) **Patent No.:** **US D849,006 S**

(45) **Date of Patent:** **** May 21, 2019**

- (54) **BLUETOOTH CONVERTER**
- (71) Applicant: **Shenzhen Riitek Technology Co.,LTD.**, Shenzhen, Guangdong (CN)
- (72) Inventors: **Xianyong Pang**, Shenzhen (CN);
Junkui Chen, Shenzhen (CN)
- (73) Assignee: **Shenzhen Riitek Technology Co., Ltd.**, Shenzhen, Guangdong (CN)

- D548,731 S * 8/2007 Liu D14/240
- D630,198 S * 1/2011 Wilkens D14/240
- D719,561 S * 12/2014 Akana D14/314
- D730,893 S * 6/2015 Yin D14/240
- D740,262 S * 10/2015 Hasegawa D14/240
- D745,010 S * 12/2015 Kim D14/433
- D753,639 S * 4/2016 Marzynski D14/240
- D768,607 S * 10/2016 Altonen D14/240
- D783,619 S * 4/2017 Couture D14/433
- D816,070 S * 4/2018 Marzynski D14/240
- D831,598 S * 10/2018 Jiang D14/125

(**) Term: **15 Years**

(21) Appl. No.: **29/632,733**

(22) Filed: **Jan. 9, 2018**

(51) **LOC (11) Cl.** **14-02**

(52) **U.S. Cl.**
USPC **D14/433**

(58) **Field of Classification Search**
 USPC D14/240, 242, 356, 358, 363, 365, 367,
 D14/370, 432-437, 439, 498, 125, 366,
 D14/168, 496; D13/147, 164, 123, 133,
 D13/146, 110, 199, 103, 162, 159, 160,
 D13/184; 361/683, 684, 686, 724, 735,
 361/737, 752; D18/40
 CPC H01R 25/006; H01R 27/02; H01R 31/005;
 G06F 13/4022; G06F 13/382; G06F
 1/1632; G06F 1/1684; G06F 1/20; G06F
 1/1607

See application file for complete search history.

(56) **References Cited**

U.S. PATENT DOCUMENTS

- D491,563 S * 6/2004 Sato D14/242
- D496,967 S * 10/2004 Davis D14/433

* cited by examiner

Primary Examiner — Austin Murphy

(74) *Attorney, Agent, or Firm* — Raymond Y. Chan;
David and Raymond Patent Firm

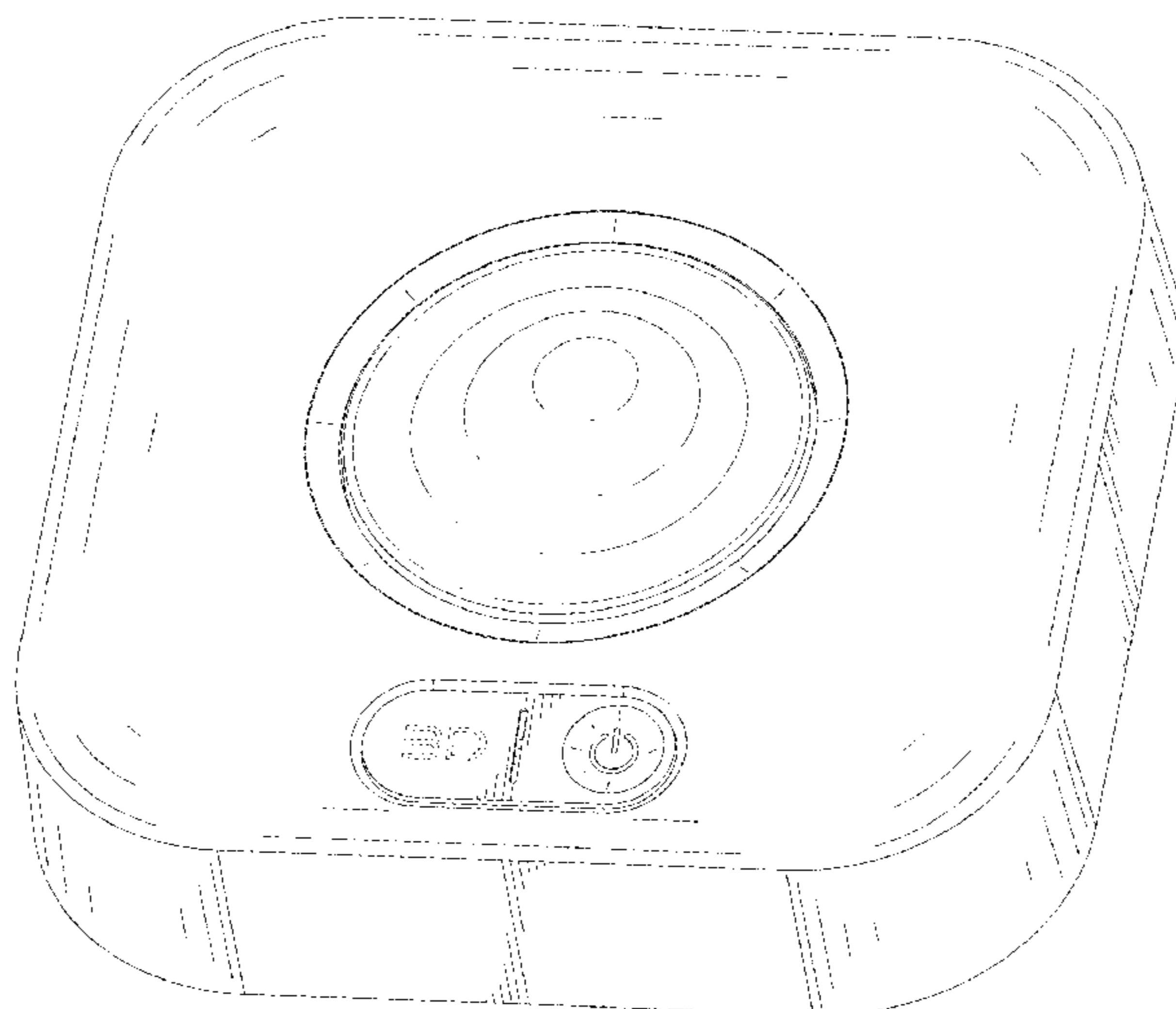
(57) **CLAIM**

The ornamental design for a Bluetooth converter, as shown and described.

DESCRIPTION

FIG. 1 is a perspective view of the Bluetooth converter showing my new design;
 FIG. 2 is a front view of the Bluetooth converter;
 FIG. 3 is a rear view of the Bluetooth converter;
 FIG. 4 is a left view of the Bluetooth converter;
 FIG. 5 is a right view of the Bluetooth converter;
 FIG. 6 is a top view of the Bluetooth converter; and,
 FIG. 7 is a bottom view of the Bluetooth converter.
 The surface(s) or poration(s) of the article shown in broken lines in the drawings being for illustrative purpose only and forming no part of the claimed design.

1 Claim, 7 Drawing Sheets



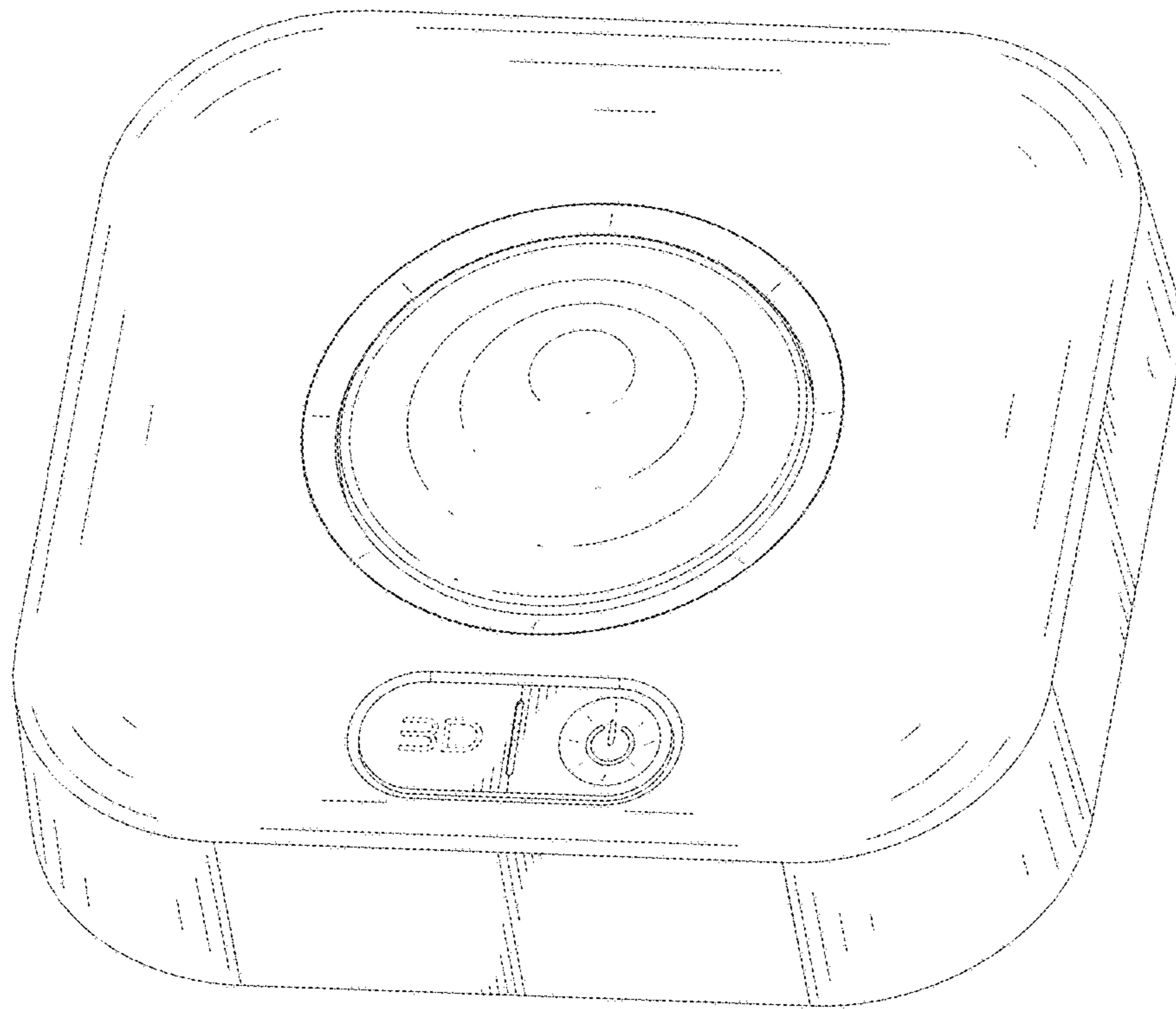


FIG.1

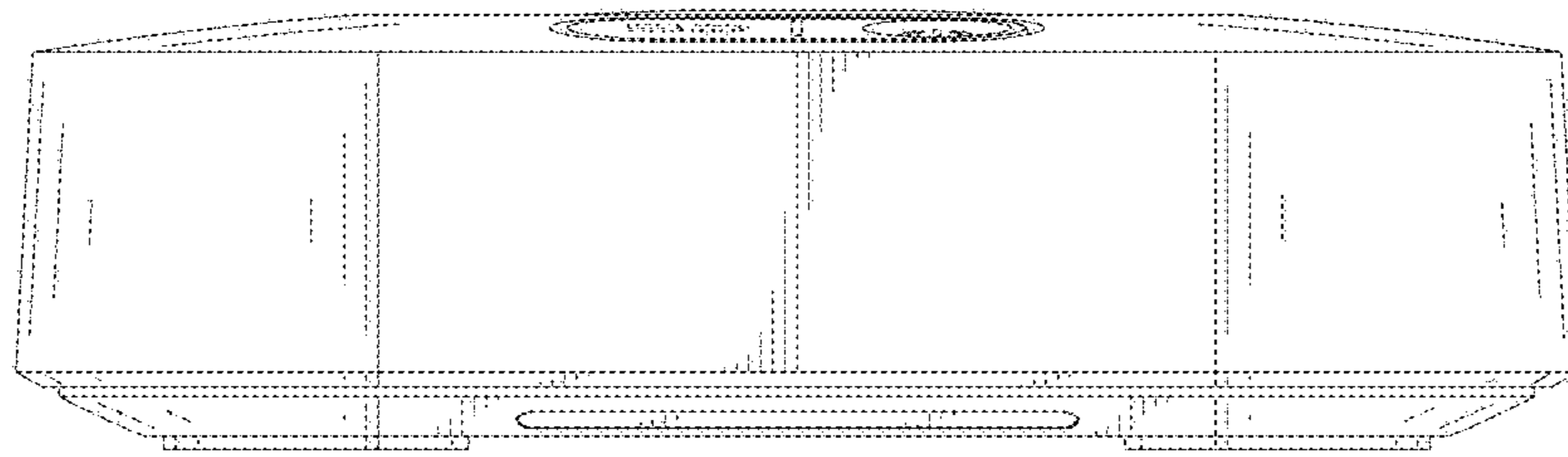


FIG.2

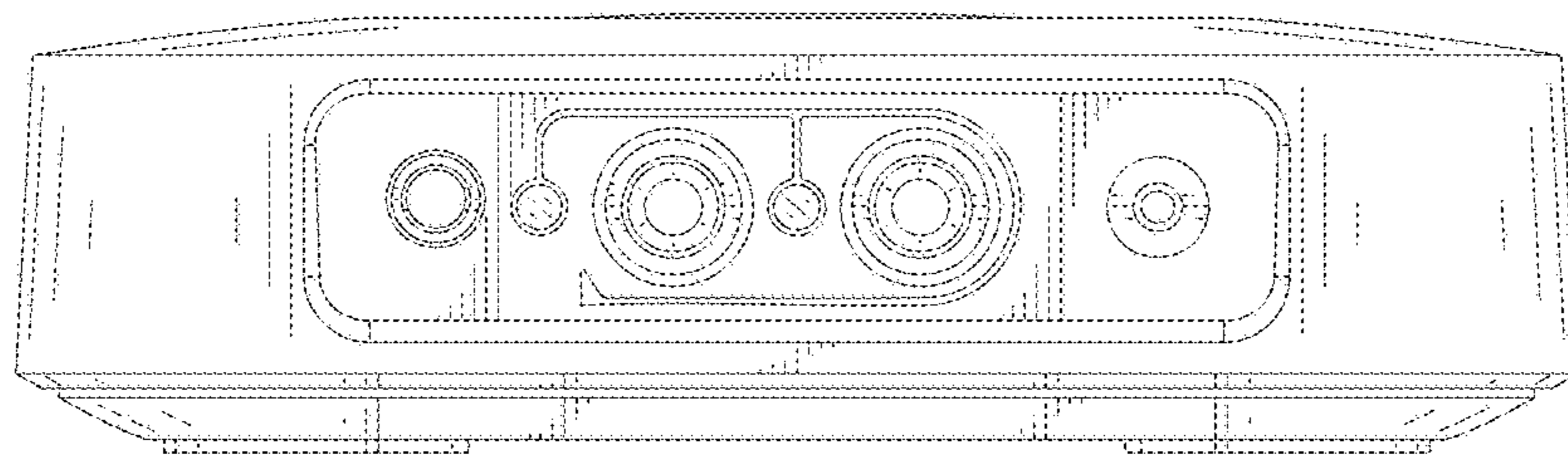


FIG.3

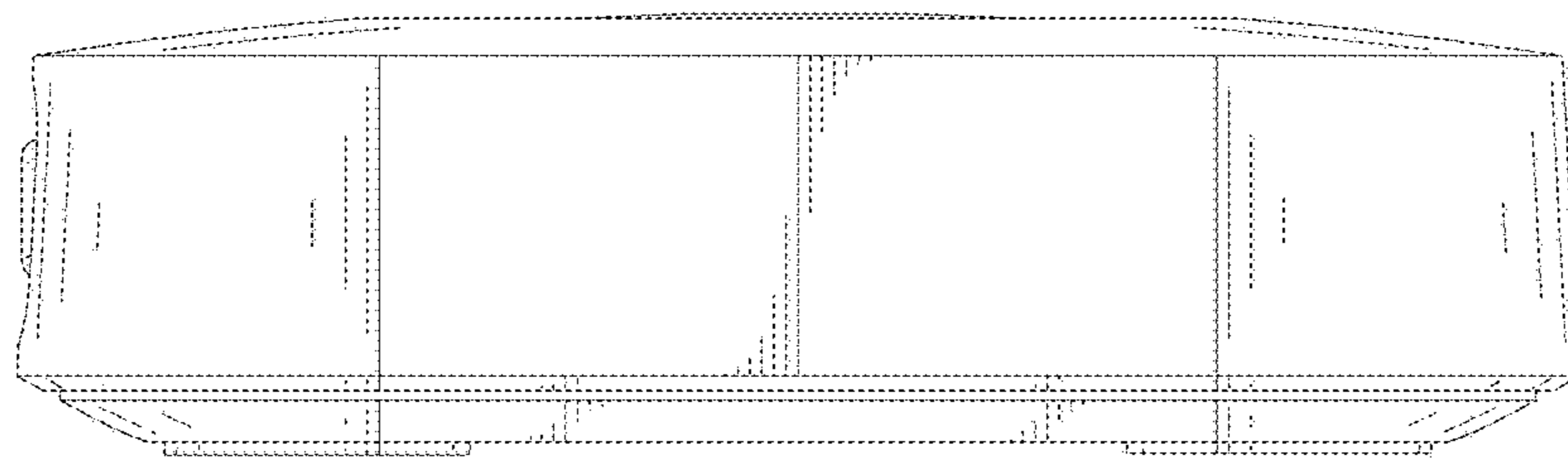


FIG.4

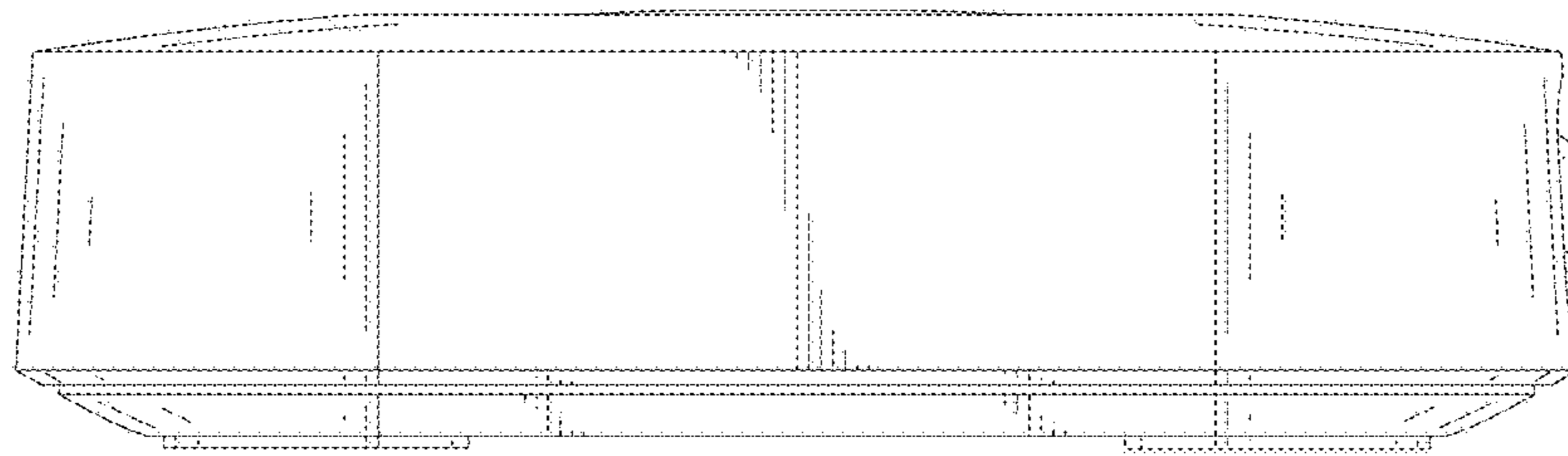


FIG.5

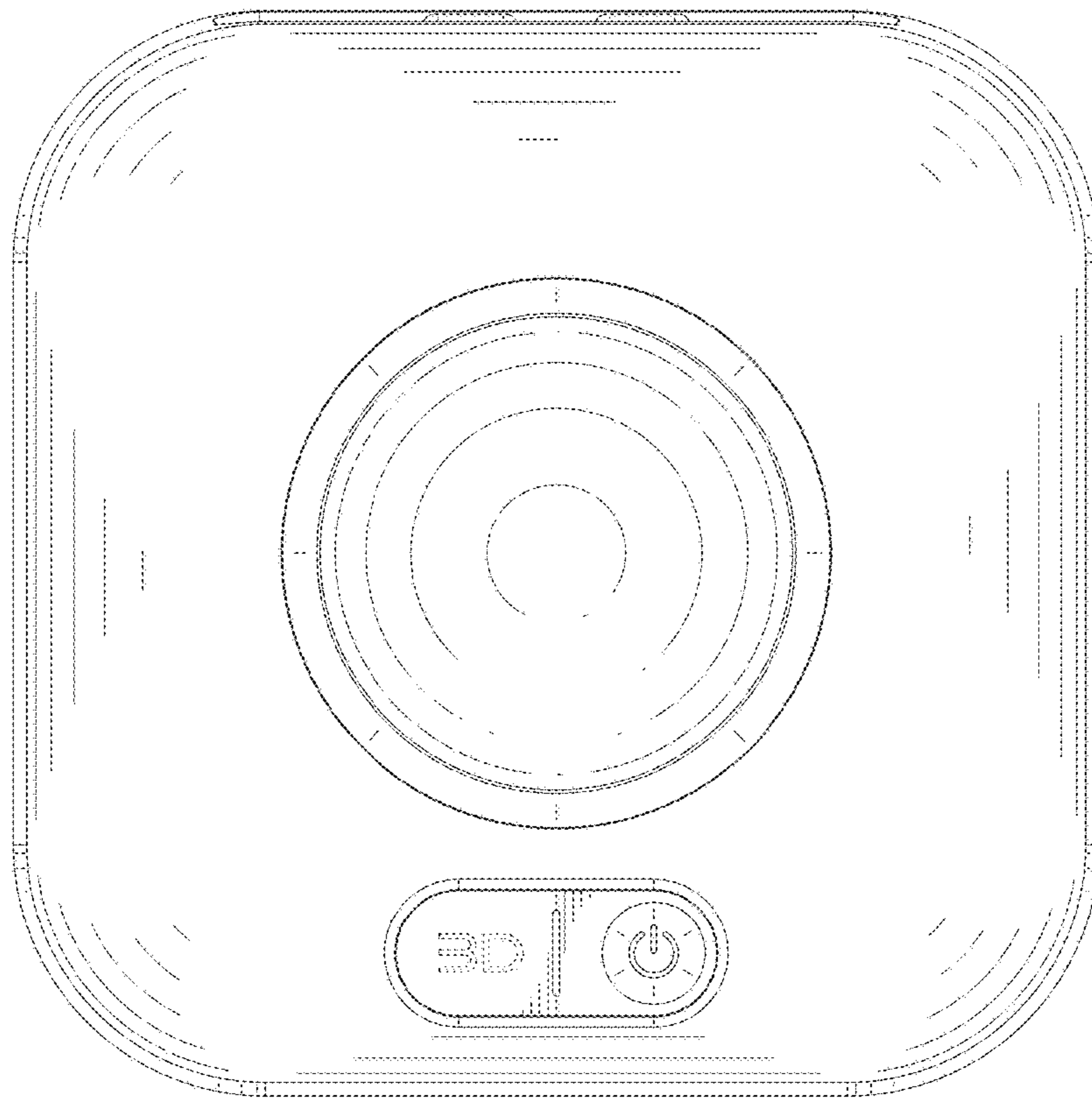


FIG.6

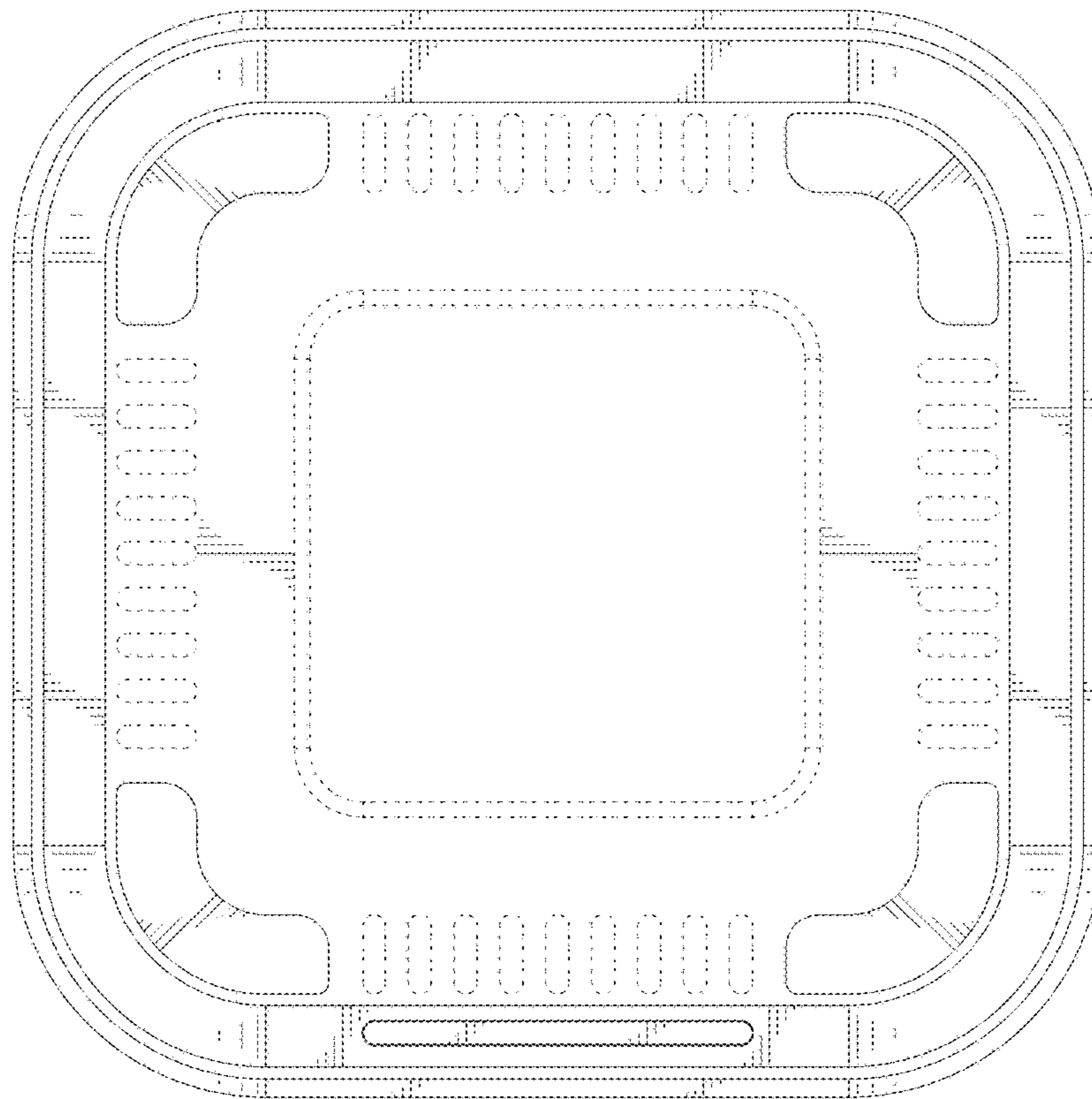


FIG. 7