

US00D849005S

(12) **United States Design Patent** (10) **Patent No.:** **US D849,005 S**  
**Bierach et al.** (45) **Date of Patent:** **\*\* May 21, 2019**

(54) **ACCESS CONTROL INTERFACE**  
(71) Applicant: **Farpointe Data, Inc.**, Sunnyvale, CA (US)  
(72) Inventors: **Kirk B. Bierach**, Saratoga, CA (US); **Scott E. Lindley**, Redwood City, CA (US)

D573,594 S 7/2008 Hsu  
7,446,644 B2 11/2008 Schaffzin et al.  
D589,955 S \* 4/2009 Shi ..... D14/138 AA  
D598,399 S 8/2009 Mayo et al.  
D599,795 S 9/2009 Lindley  
7,602,274 B2 10/2009 Lee et al.  
D631,880 S 2/2011 Hirota  
D638,014 S 5/2011 Chong et al.  
D648,722 S 11/2011 Meyerhoffer et al.  
(Continued)

(73) Assignee: **Farpointe Data, Inc.**, San Jose, CA (US)

**FOREIGN PATENT DOCUMENTS**

(\*\*) Term: **15 Years**

WO 2004114190 A1 12/2004  
WO 2009055842 A1 5/2009

(21) Appl. No.: **29/634,851**

**OTHER PUBLICATIONS**

(22) Filed: **Jan. 25, 2018**

Assa Abloy Corp., HID Proximity Brochure, pp. 1-20, Jul. 2012.  
Keyscan, Inc., K-PROX3 Proximity Reader Brochure, pp. 1-2, Jan. 2017.

(51) **LOC (11) Cl.** ..... **14-02**

(52) **U.S. Cl.** ..... **D14/383**  
USPC .....

(58) **Field of Classification Search**  
USPC ..... D14/356-358, 383-385, 420, 426, 427, D14/432-439, 447, 453, 454, 217, 253, D14/299, 307; D13/107, 108, 133, 146, D13/147, 152, 154, 156, 158, 162, 162.1, D13/168, 173, 177, 102; 235/441, 451, 235/492, 380, 439, 375; 361/679.31, 600, 361/679.01, 679.02

*Primary Examiner* — Austin Murphy  
(74) *Attorney, Agent, or Firm* — CanaanLaw, P.C.; David B. Ritchie

CPC ..... G07C 9/00103; G07C 9/00039; G07C 9/00904; G06K 5/00; G06K 7/01  
See application file for complete search history.

(57) **CLAIM**  
The ornamental design for an access control interface, as shown and described.

(56) **References Cited**

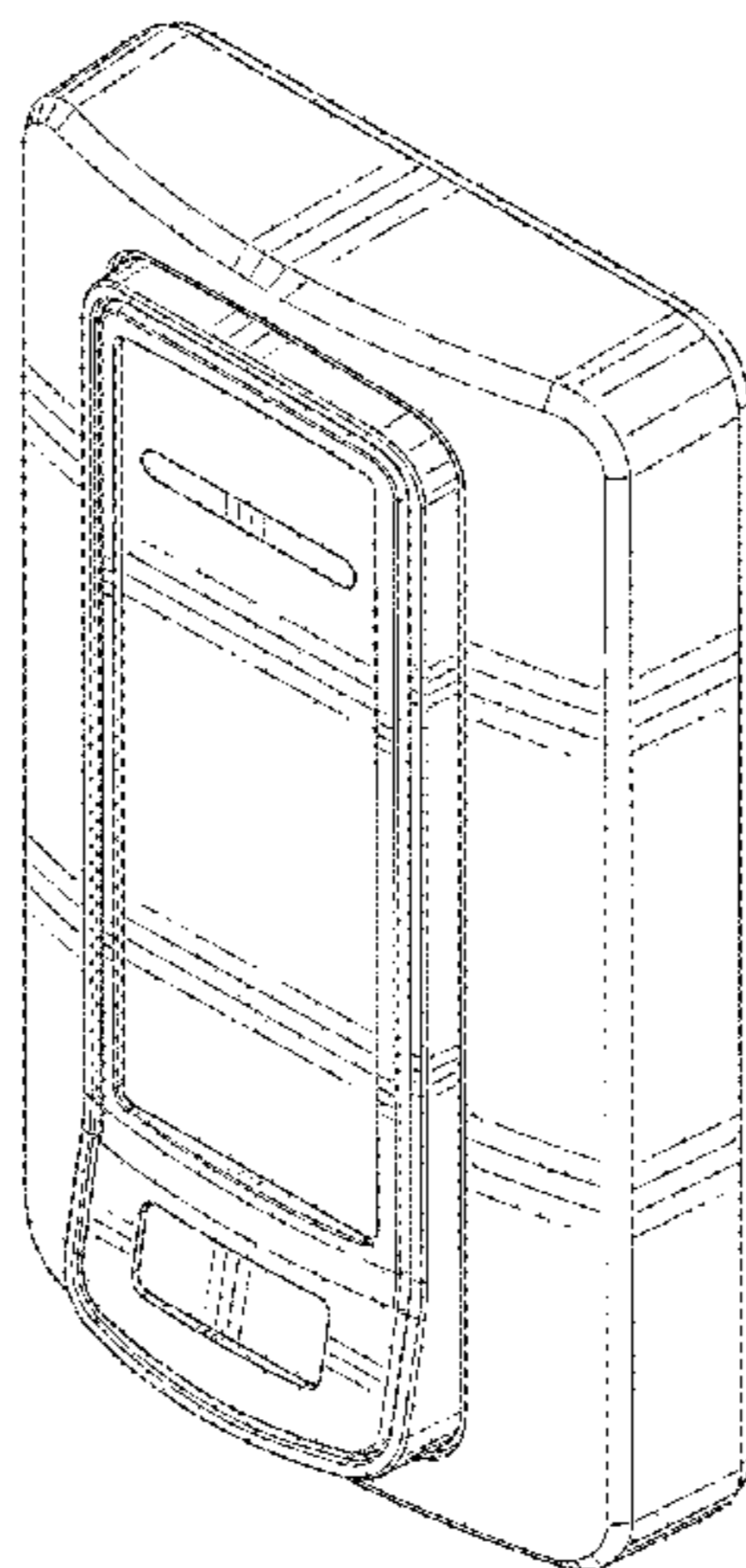
**DESCRIPTION**

**U.S. PATENT DOCUMENTS**

D255,899 S 7/1980 Karas et al.  
D357,638 S 4/1995 Hetherington et al.  
D487,065 S 2/2004 Murray  
6,828,902 B2 12/2004 Casden  
D530,317 S 10/2006 Johnson et al.  
D537,036 S 2/2007 Chen  
D560,214 S 1/2008 Yuba et al.  
D572,251 S 7/2008 Lee

FIG. 1 is a front elevational view of our design for an access control interface;  
FIG. 2 is a left-side elevational view thereof;  
FIG. 3 is a right-side elevational view thereof;  
FIG. 4 is a top plan view thereof;  
FIG. 5 is a bottom plan view thereof;  
FIG. 6 is a rear elevational view thereof shown in dotted outline and forms no part of the claimed design;  
FIG. 7 is a front right perspective view thereof; and,  
FIG. 8 is another front right perspective view thereof taken from a different perspective than that of FIG. 7.

**1 Claim, 7 Drawing Sheets**



(56)

**References Cited**

U.S. PATENT DOCUMENTS

D662,488	S *	6/2012	Yeo .....	D14/203.3
D673,952	S	1/2013	Toda et al.	
D685,789	S	7/2013	Chang	
D727,321	S	4/2015	LaBorde et al.	
D727,901	S	4/2015	Nishimura et al.	
D728,675	S	5/2015	Daniel	
D733,138	S	6/2015	Moammer et al.	
D742,877	S	11/2015	Tsuchida et al.	
D749,075	S	2/2016	Brown	
D761,260	S	7/2016	Luo	
D776,113	S *	1/2017	Bierach .....	D14/383
D784,332	S *	4/2017	Hsu .....	D14/383
D784,985	S *	4/2017	Bierach .....	D14/383
D812,054	S *	3/2018	Bierach .....	D14/383
D839,874	S *	2/2019	Biesaart .....	D14/383
2002/0014954	A1	2/2002	Fitzgibbon et al.	
2005/0234778	A1	10/2005	Sperduti et al.	
2006/0077037	A1	4/2006	Luo et al.	
2009/0256677	A1	10/2009	Hein et al.	
2013/0222339	A1 *	8/2013	Koga .....	G06F 3/016 345/174
2013/0314355	A1 *	11/2013	Inata .....	G06F 1/1626 345/173

\* cited by examiner

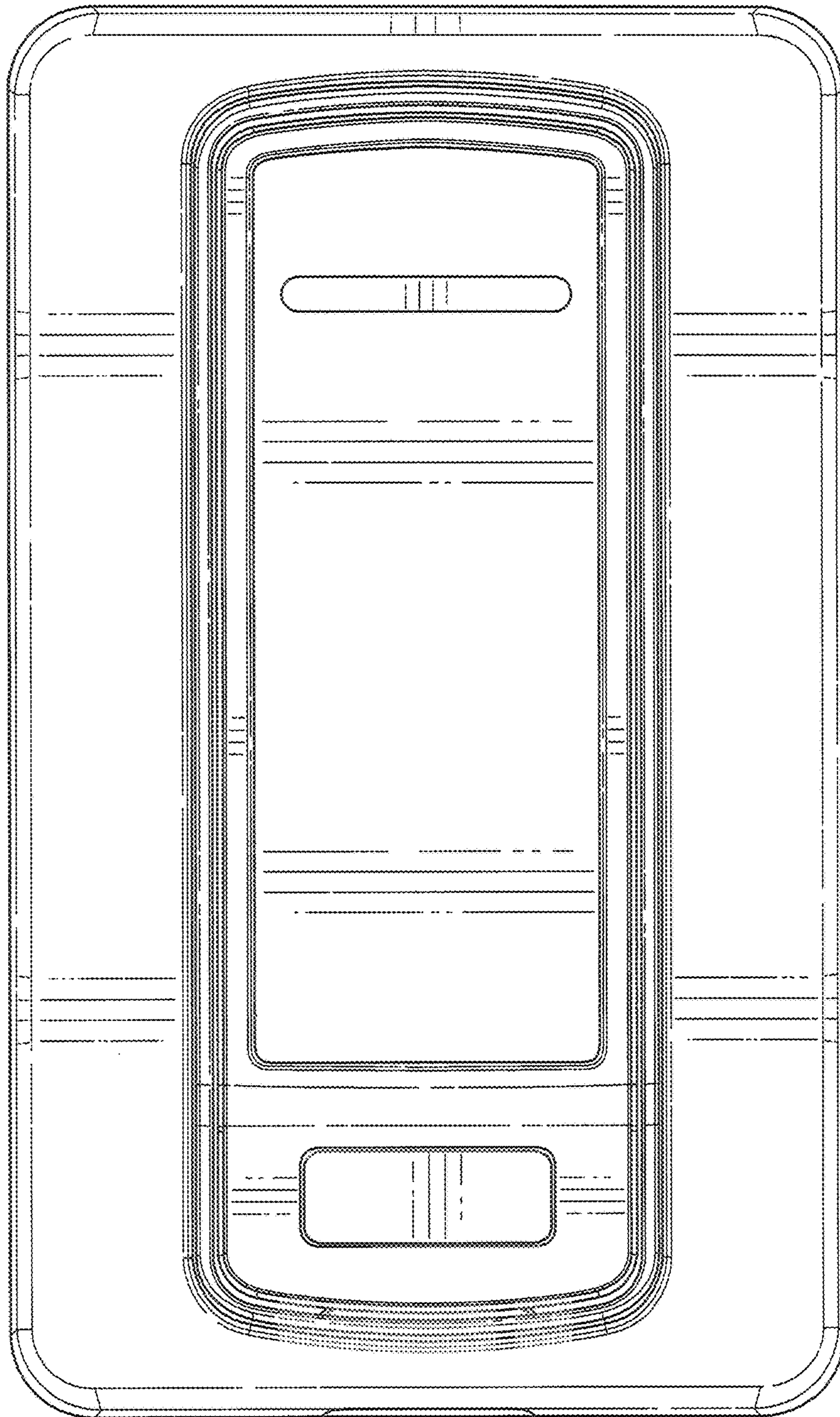


FIG. 1

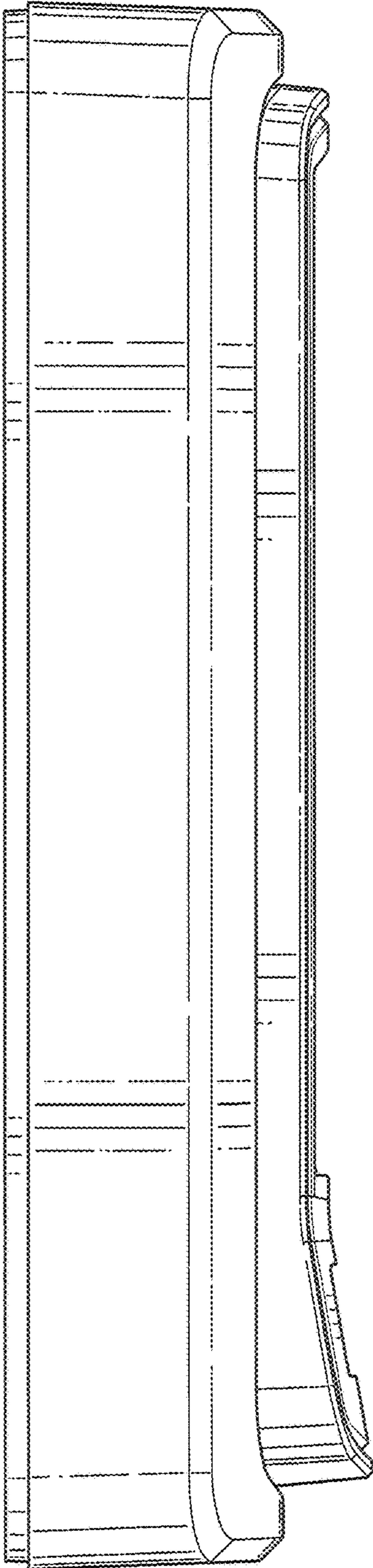


FIG. 2

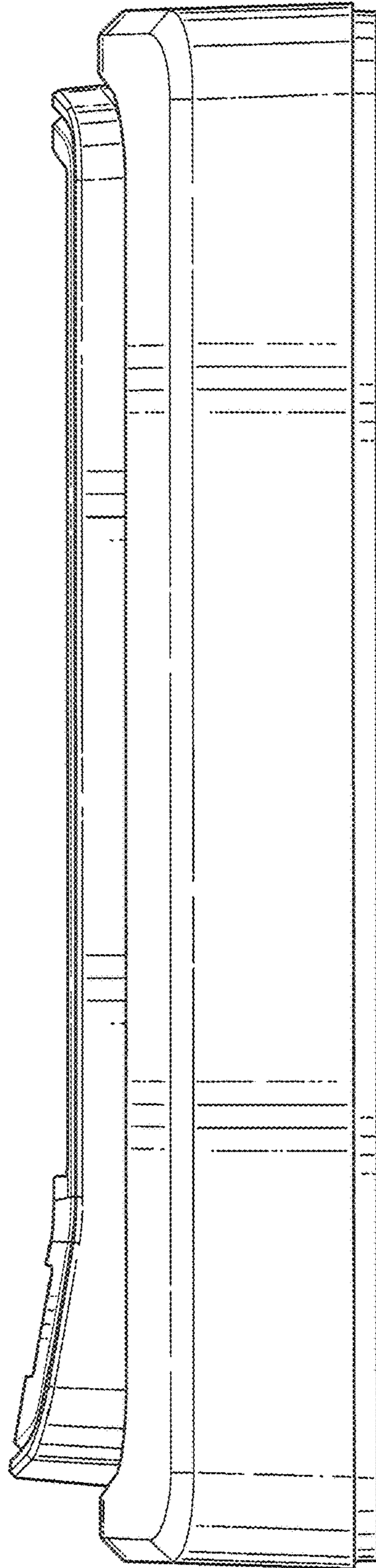


FIG. 3

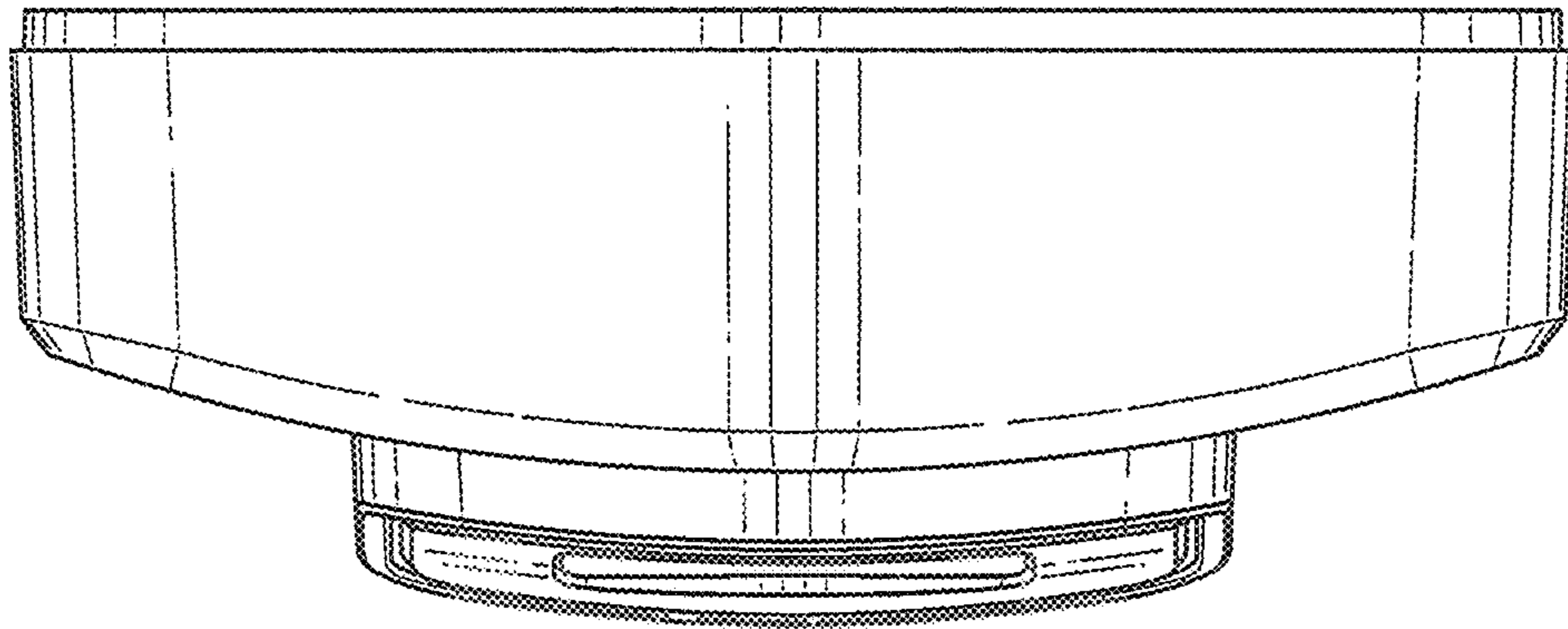


FIG. 4

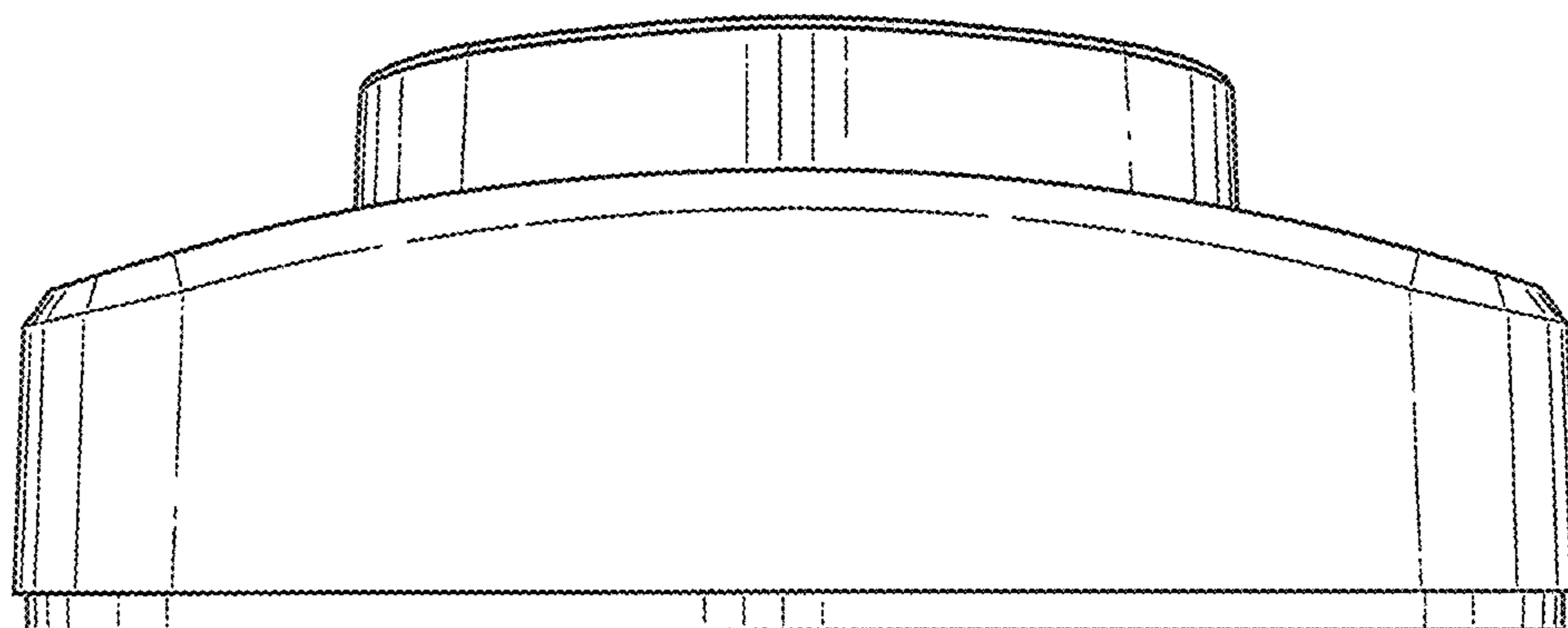


FIG. 5

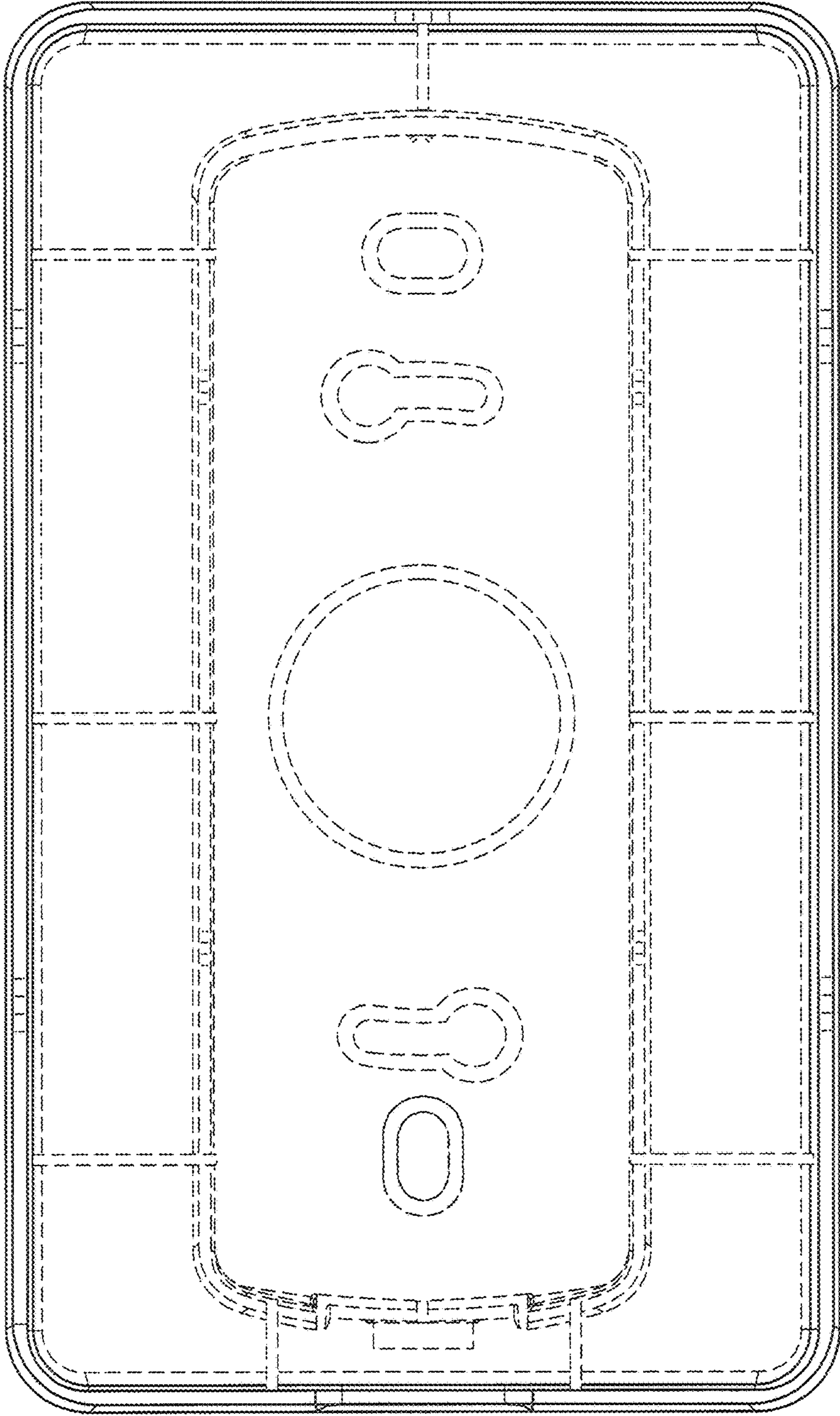


FIG. 6

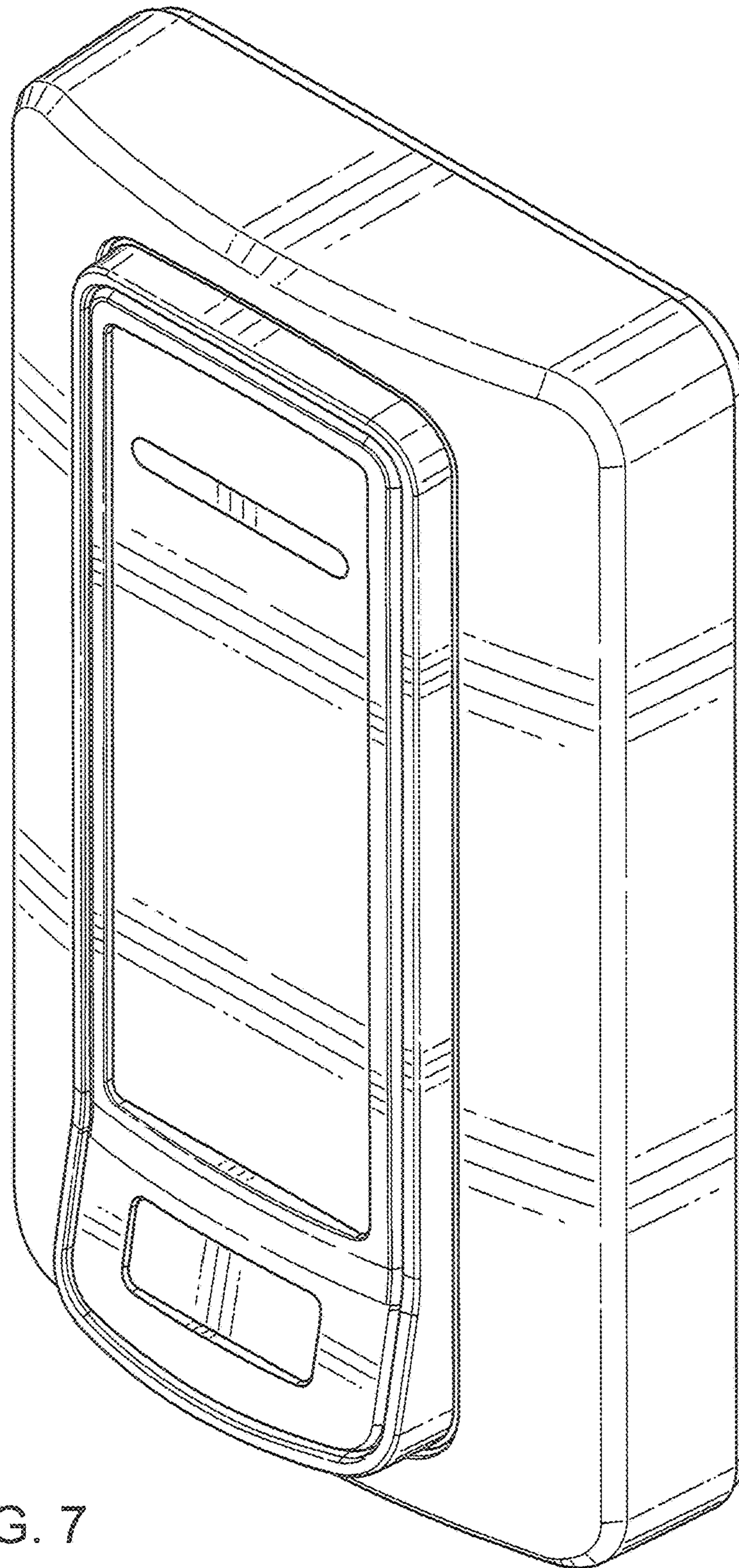


FIG. 7



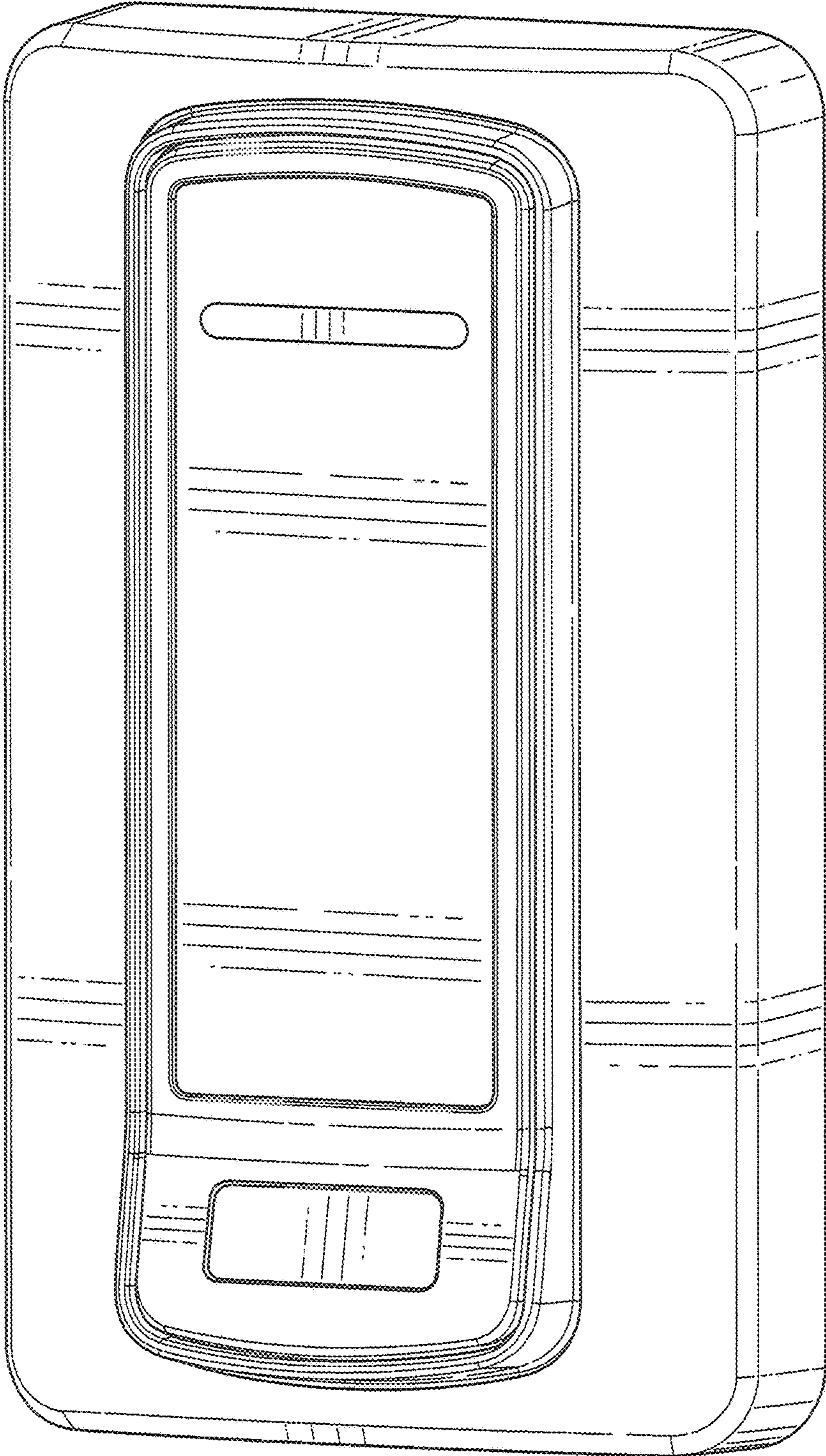


FIG. 8