

US00D849001S

(12) **United States Design Patent** (10) **Patent No.:** **US D849,001 S**
Nokuo (45) **Date of Patent:** **** May 21, 2019**

(54) **PROCESSOR UNIT FOR DISPLAY DEVICE**

(71) Applicant: **SONY INTERACTIVE ENTERTAINMENT INC.**, Tokyo (JP)

(72) Inventor: **Taichi Nokuo**, Tokyo (JP)

(73) Assignee: **SONY INTERACTIVE ENTERTAINMENT INC.**, Tokyo (JP)

(**) Term: **15 Years**

(21) Appl. No.: **29/562,077**

(22) Filed: **Apr. 22, 2016**

(30) **Foreign Application Priority Data**

Oct. 26, 2015 (JP) 2015-023699

(51) **LOC (11) Cl.** **14-02**

(52) **U.S. Cl.**
USPC **D14/355**

(58) **Field of Classification Search**
USPC D14/371-382, 125-129, 215, 308, 314,
D14/332, 335-337, 348, 354-355,
D14/447-452, 492, 239, 457, 439-441,
D14/432, 251-253, 496; D8/349, 354,
D8/363, 367, 373, 376, 380; D21/333;
D12/415; D3/218; 348/180, 184, 325,
348/739, 825; 248/323, 278.1, 286.1;
D6/660, 661, 671, 672, 675, 675.1-675.3,
D6/682, 677.1, 678.1, 678.2, 681.2;
359/601, 609

(Continued)

(56) **References Cited**

U.S. PATENT DOCUMENTS

D250,019 S * 10/1978 Pycha D14/308
D280,410 S * 9/1985 Sakamoto D14/355

(Continued)

Primary Examiner — Katie Jane Stofko

(74) *Attorney, Agent, or Firm* — Young & Thompson

(57) **CLAIM**

The ornamental design for the processor unit for display device, as shown and described.

DESCRIPTION

FIG. 1 is a perspective view of front, top and right side of a processor unit for display device showing my new design; FIG. 2 is another perspective view of rear, top and left side thereof;

FIG. 3 is a front view thereof;

FIG. 4 is a rear view thereof;

FIG. 5 is a left side view thereof;

FIG. 6 is a right side view thereof;

FIG. 7 is a top plan view thereof;

FIG. 8 is a bottom plan view thereof;

FIG. 9 is a front perspective view showing a transforming state with the right portion of the housing shifted thereof;

FIG. 10 is a rear perspective view showing a transforming state with the right portion of the housing shifted thereof;

FIG. 11 is a front perspective view showing a usage state thereof;

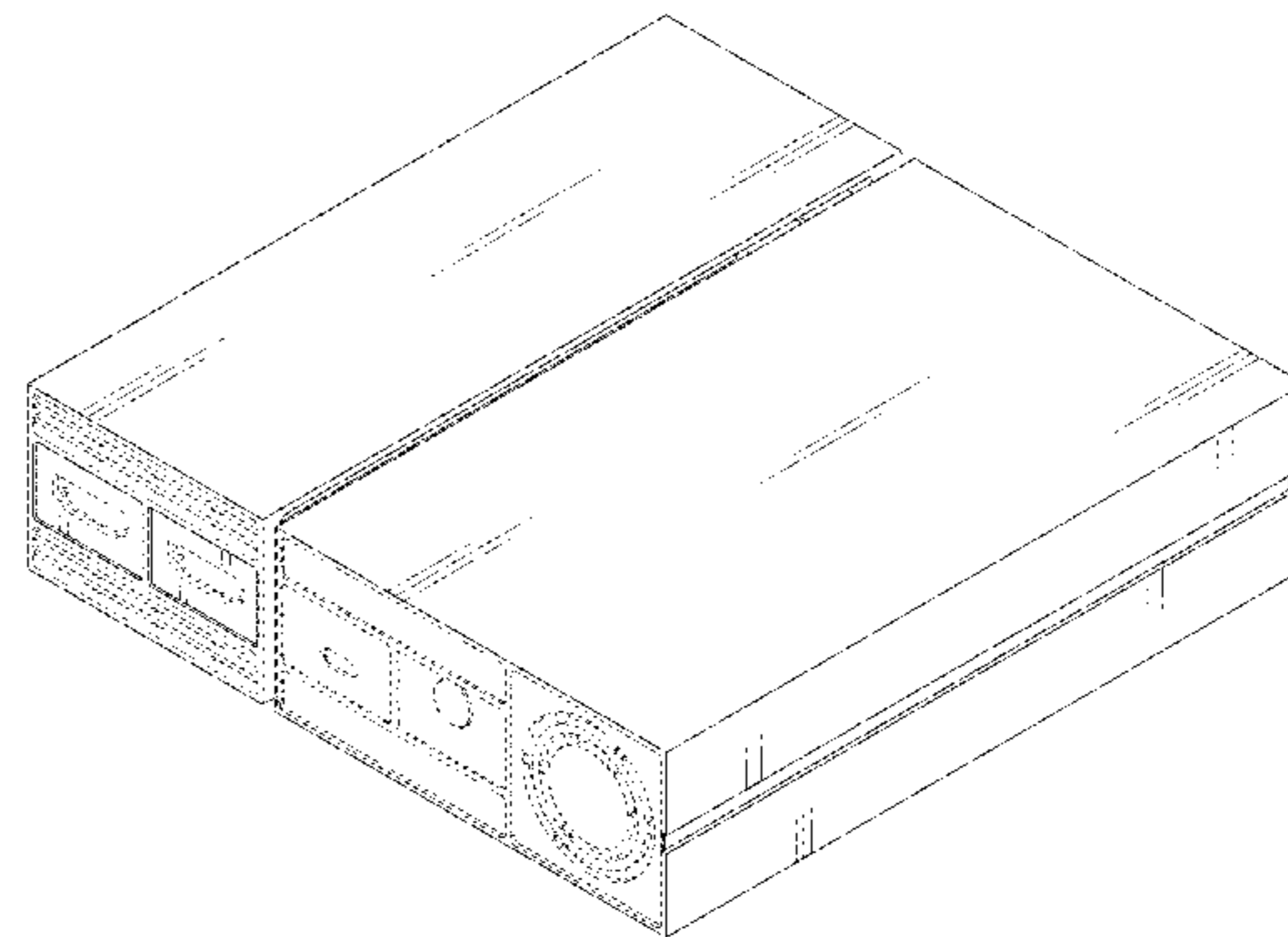
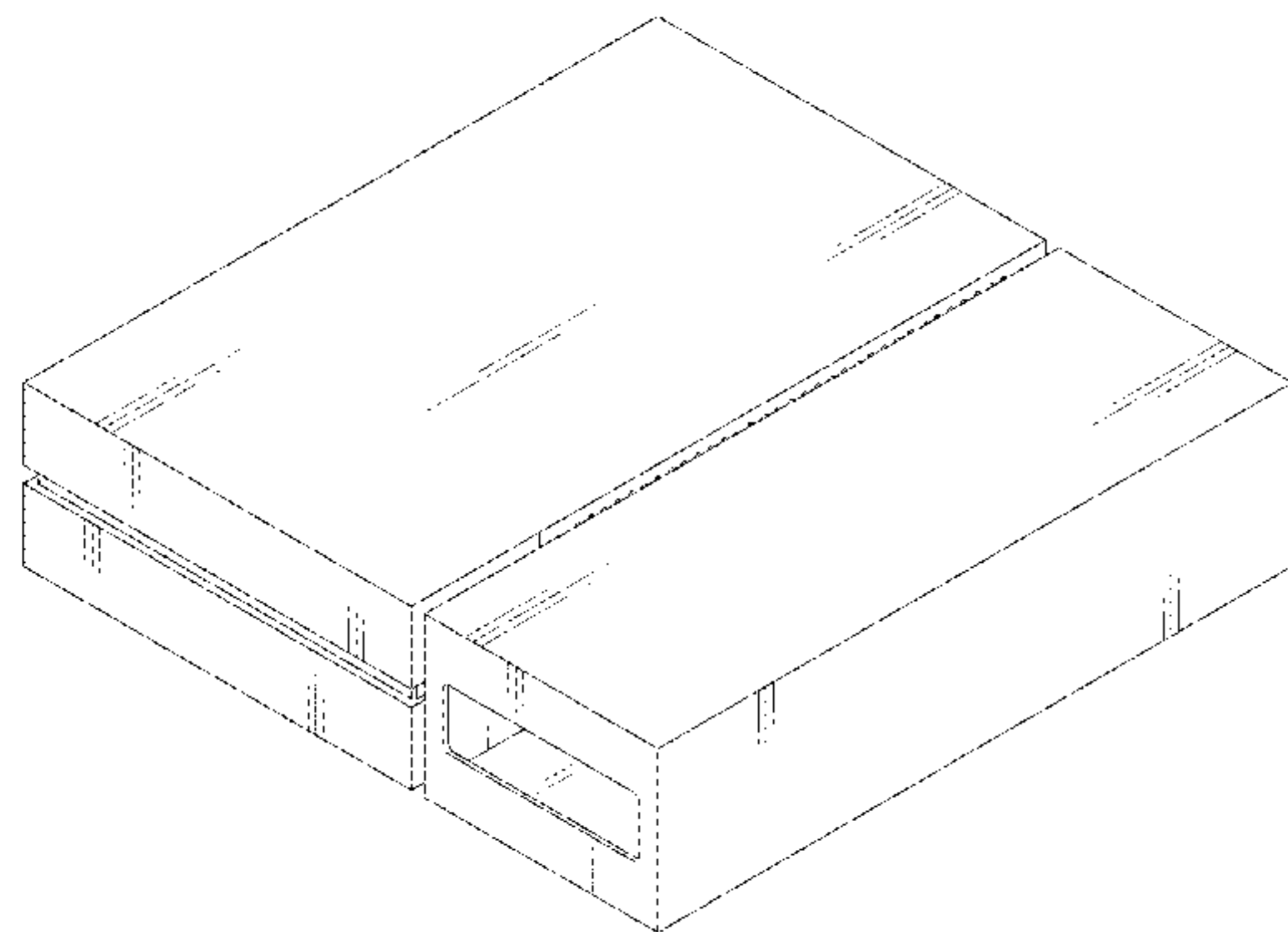
FIG. 12 is a rear perspective view showing a usage state thereof;

FIG. 13 is a front perspective view showing a usage state, when transformed, with the right portion of the housing shifted thereof; and,

FIG. 14 is a rear perspective view showing a usage state, when transformed, with the right portion of the housing shifted thereof.

The broken lines illustrating connecting cables in FIGS. 11-14 are environment that form no part of the claimed design, while the remaining broken lines in the drawings illustrate portions of the processor unit for display device that form no part of the claimed design.

1 Claim, 12 Drawing Sheets



(58) **Field of Classification Search**

CPC G06F 3/0412; G06F 3/016; G06F 3/0488;
 G06F 3/011; G06F 3/038; G06F 3/03543;
 G06F 3/0338; G06F 3/0202; G06F
 3/0219; G06F 3/0213; G06F 1/1616;
 G06F 3/023; G06F 3/04883; G02F
 1/13338; G02F 1/1313; G02F 1/1333;
 G02F 1/135; G02F 1/132; G02F
 1/133308; G02F 1/134309; G02F
 1/13718; G09G 3/3648; G06K 15/1252;
 B41J 2/465; G03F 7/70291; G02B
 27/0172; G02B 5/30; G02B 2027/0118;
 G02B 27/0101; F16M 13/02; F16M
 13/00; F16M 11/10; F16M 11/04; F16M
 2200/08; F16M 11/2021; A47B 21/0314;
 A47B 88/044; A47B 2021/0335; H02G
 3/126; F16B 47/00; F16B 47/006; A47G
 1/17; A47K 2201/00

See application file for complete search history.

(56) **References Cited**

U.S. PATENT DOCUMENTS

D306,432	S	*	3/1990	Kato	D14/355
D311,388	S	*	10/1990	Yoshitake	D14/348
D314,761	S	*	2/1991	Imamura	D14/354
D346,588	S	*	5/1994	Oh	D14/354
D606,094	S	*	12/2009	Kimura	D14/496
D709,959	S	*	7/2014	Jacobs	D21/332
D717,292	S	*	11/2014	Koberling	D14/314
D747,697	S	*	1/2016	Wildner	D14/209.1
9,629,274	B2	*	4/2017	Yukito	G06F 1/20
D805,067	S	*	12/2017	Sparks	D14/332
D811,483	S	*	2/2018	Sumii	D21/332

* cited by examiner

Fig. 1

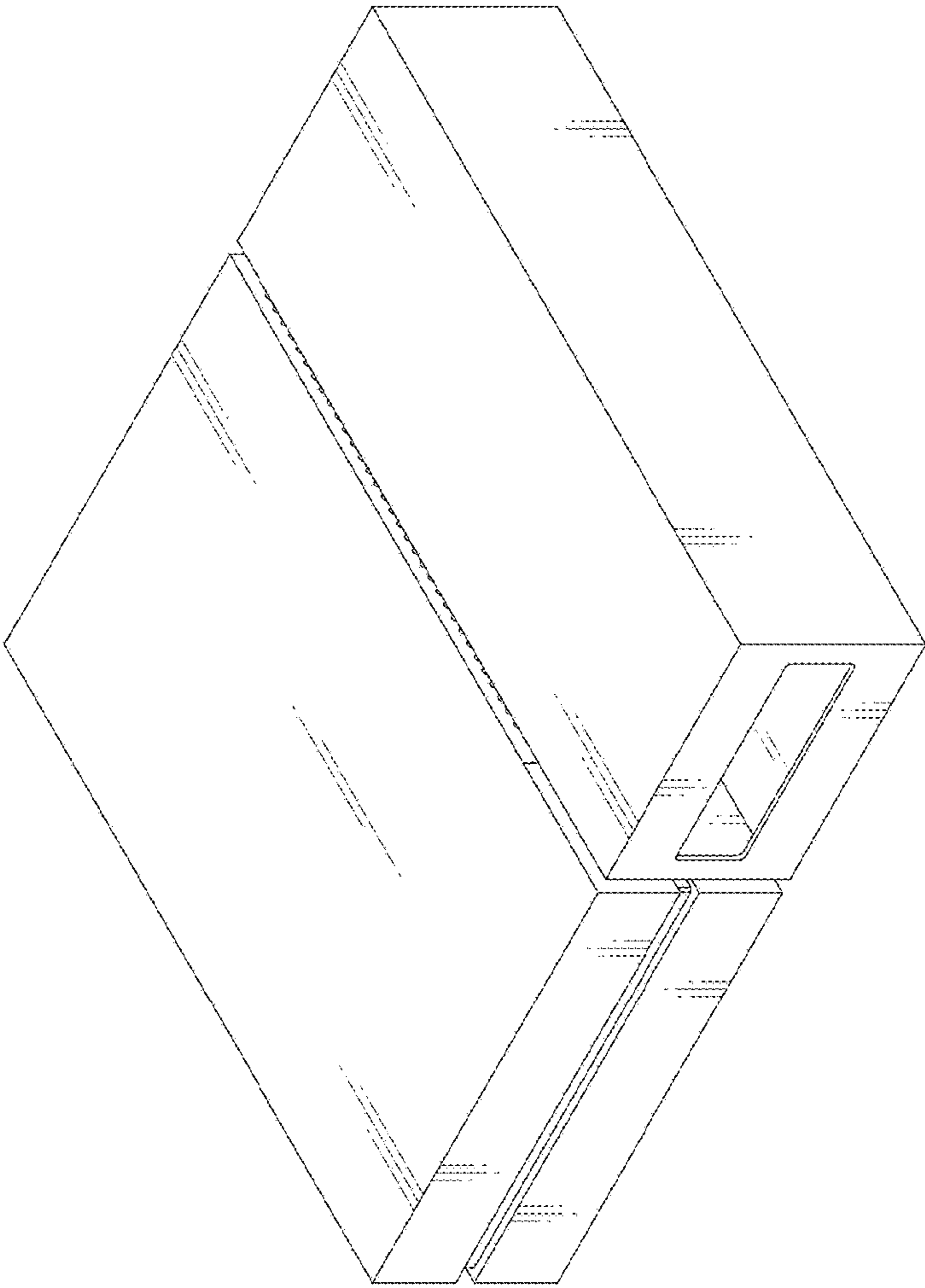


Fig. 2

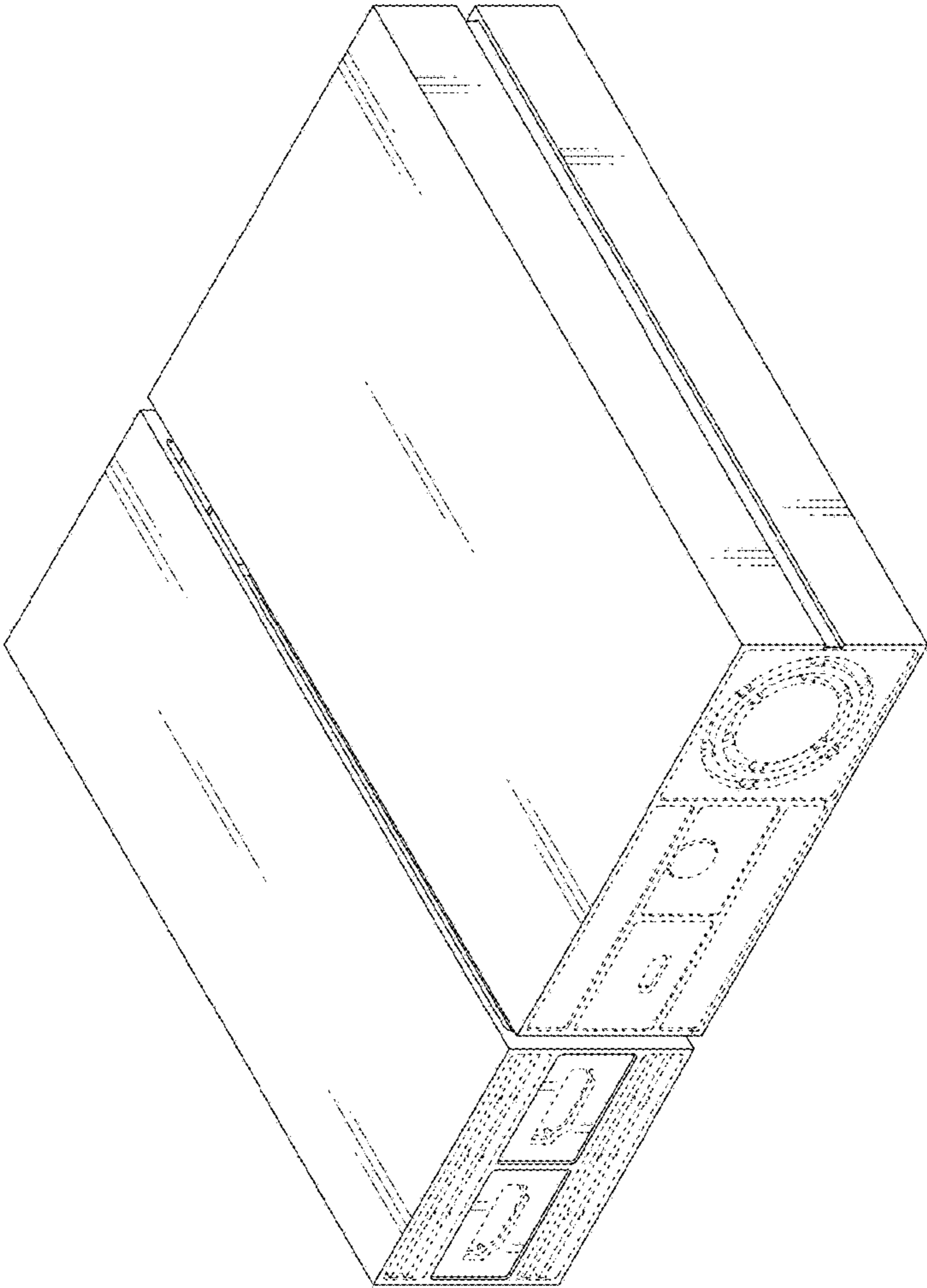


Fig. 3

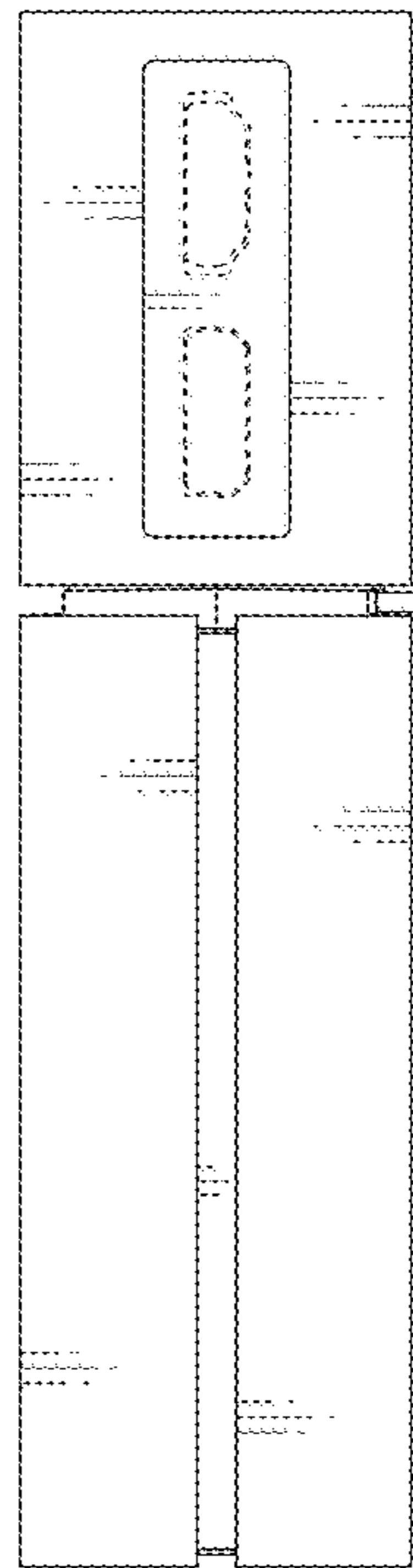


Fig. 4

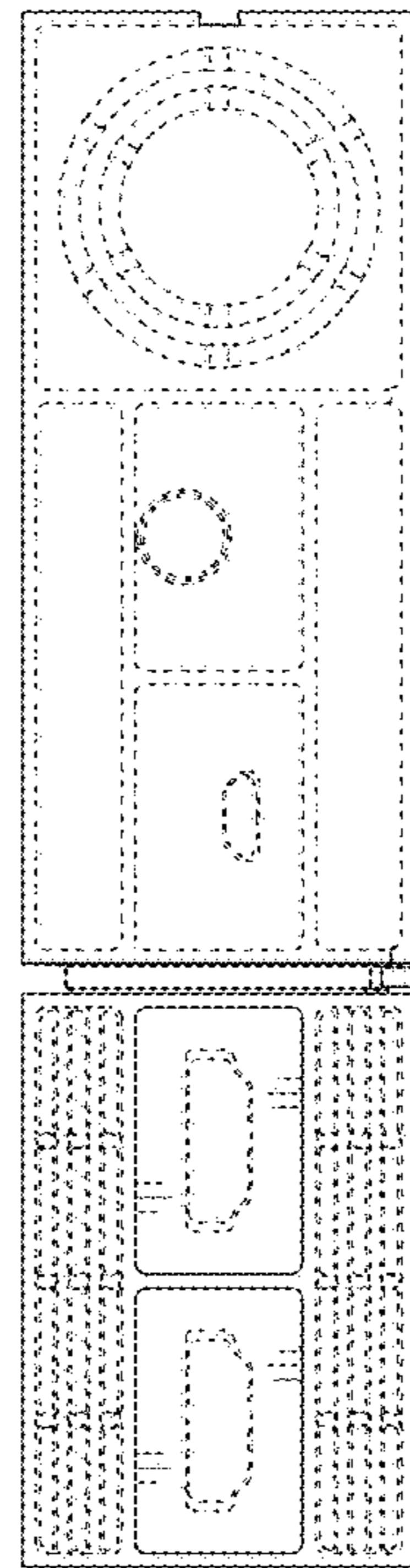


Fig. 5

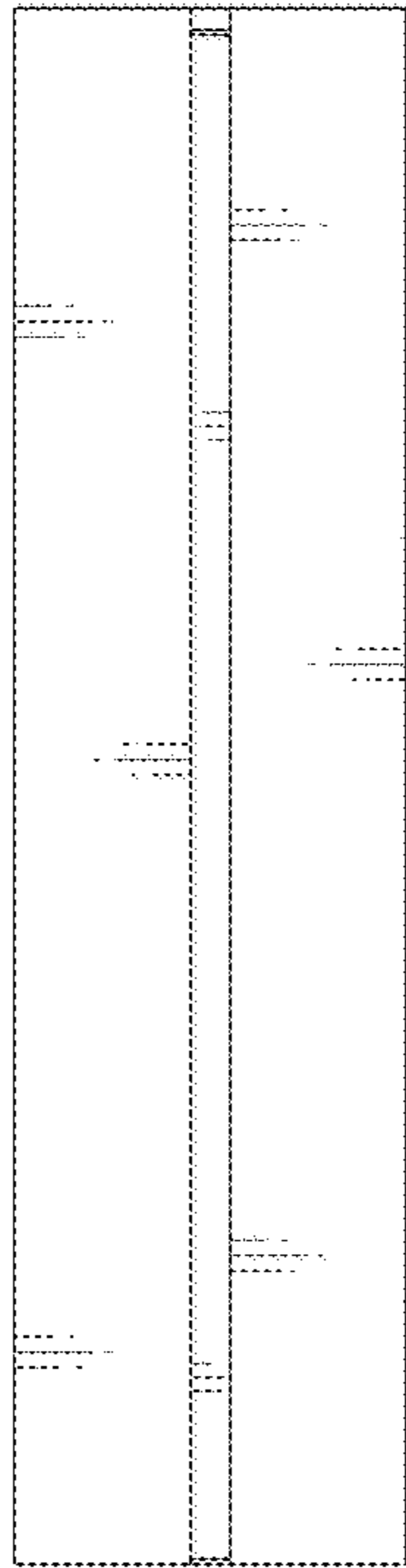


Fig. 6

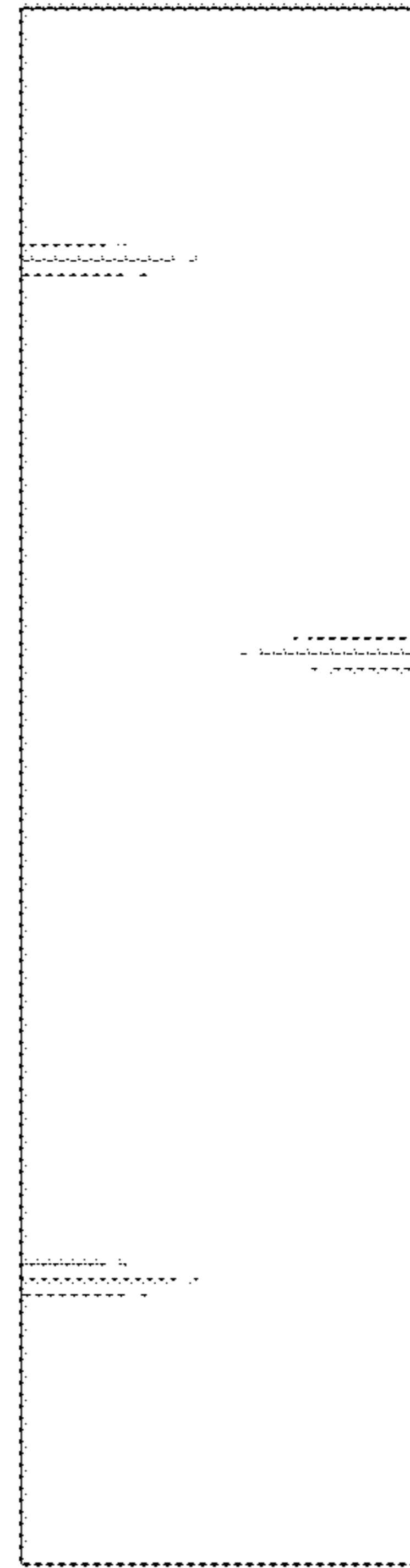


Fig. 7



Fig. 8

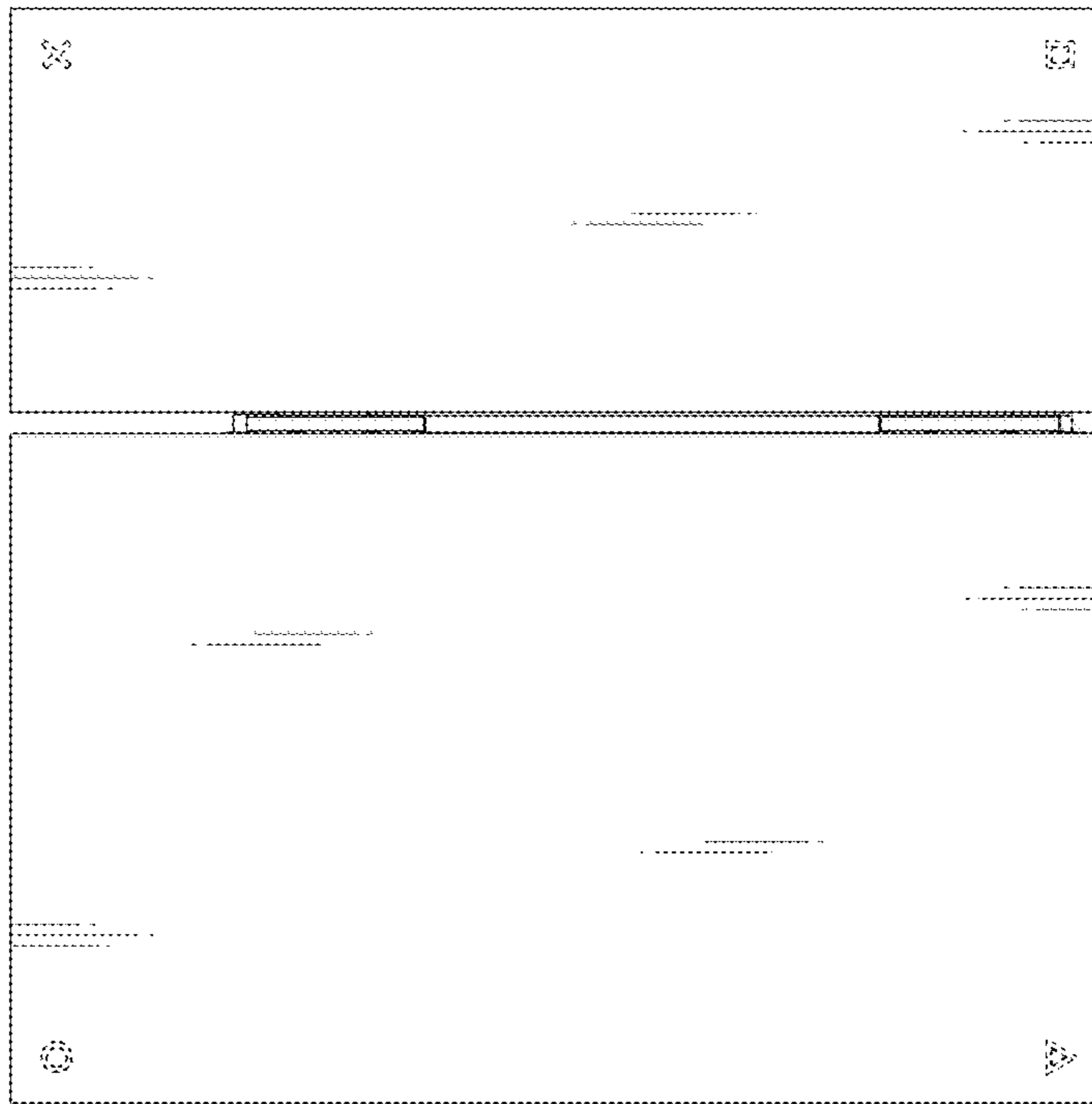


Fig. 9

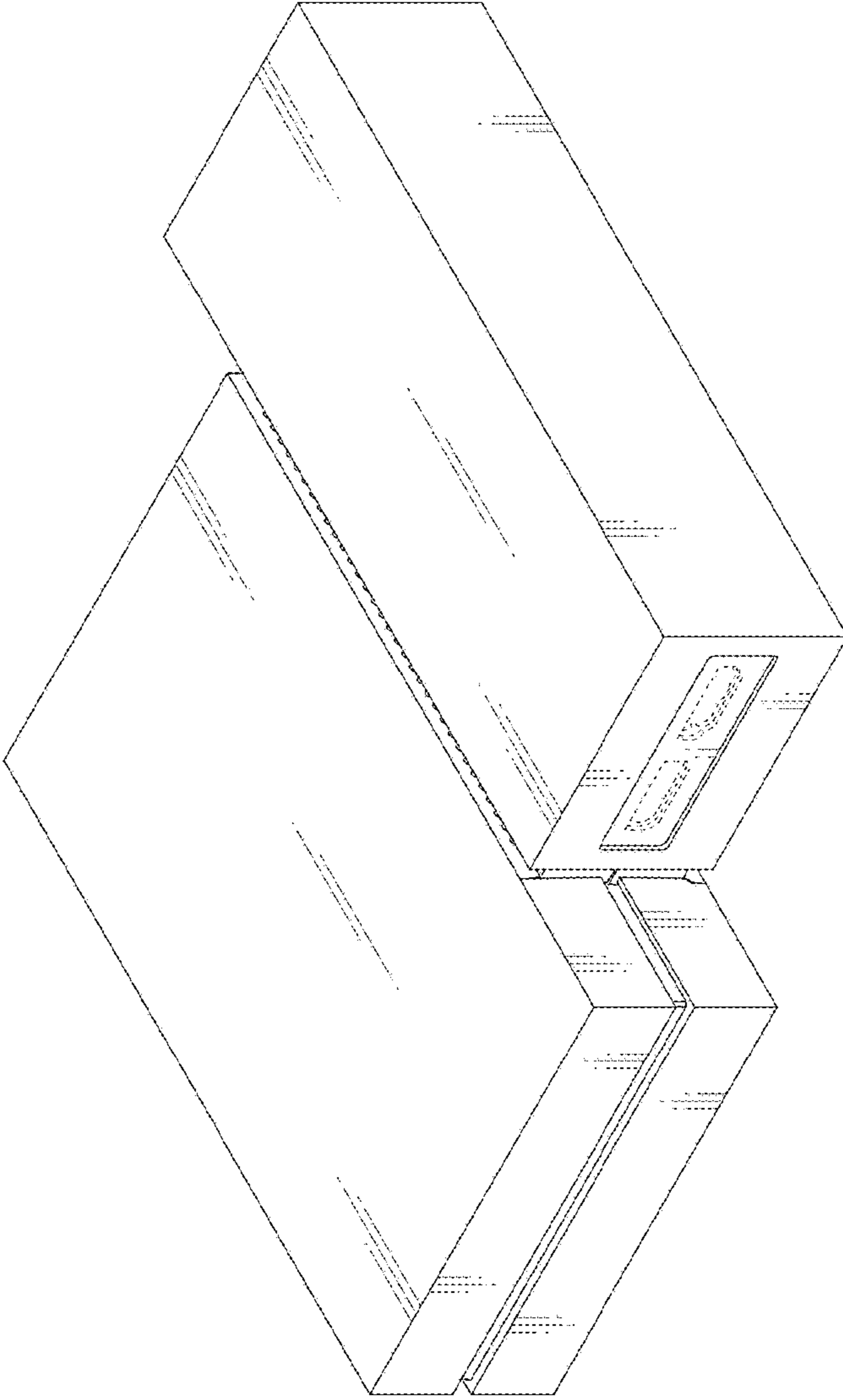
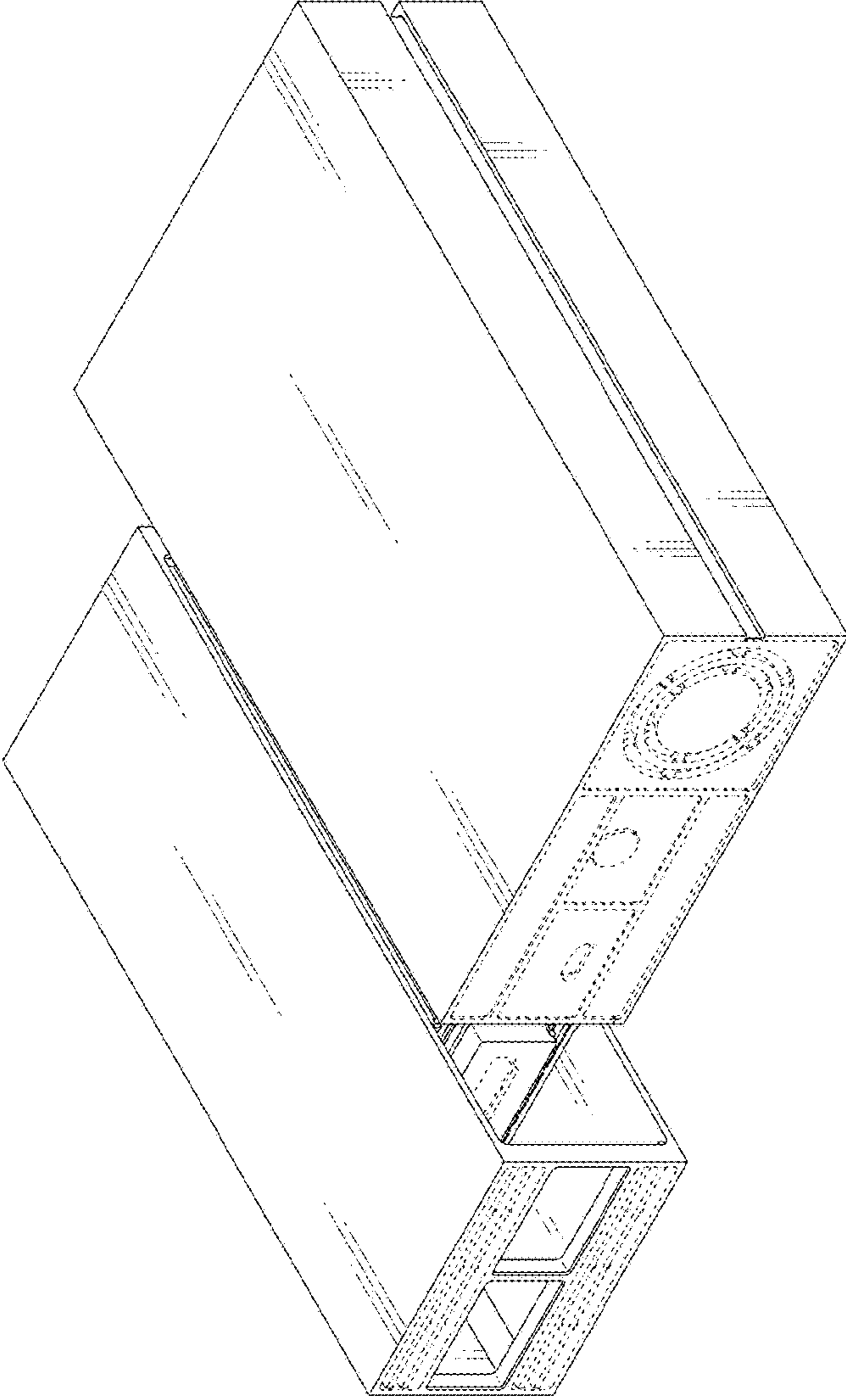


Fig. 10



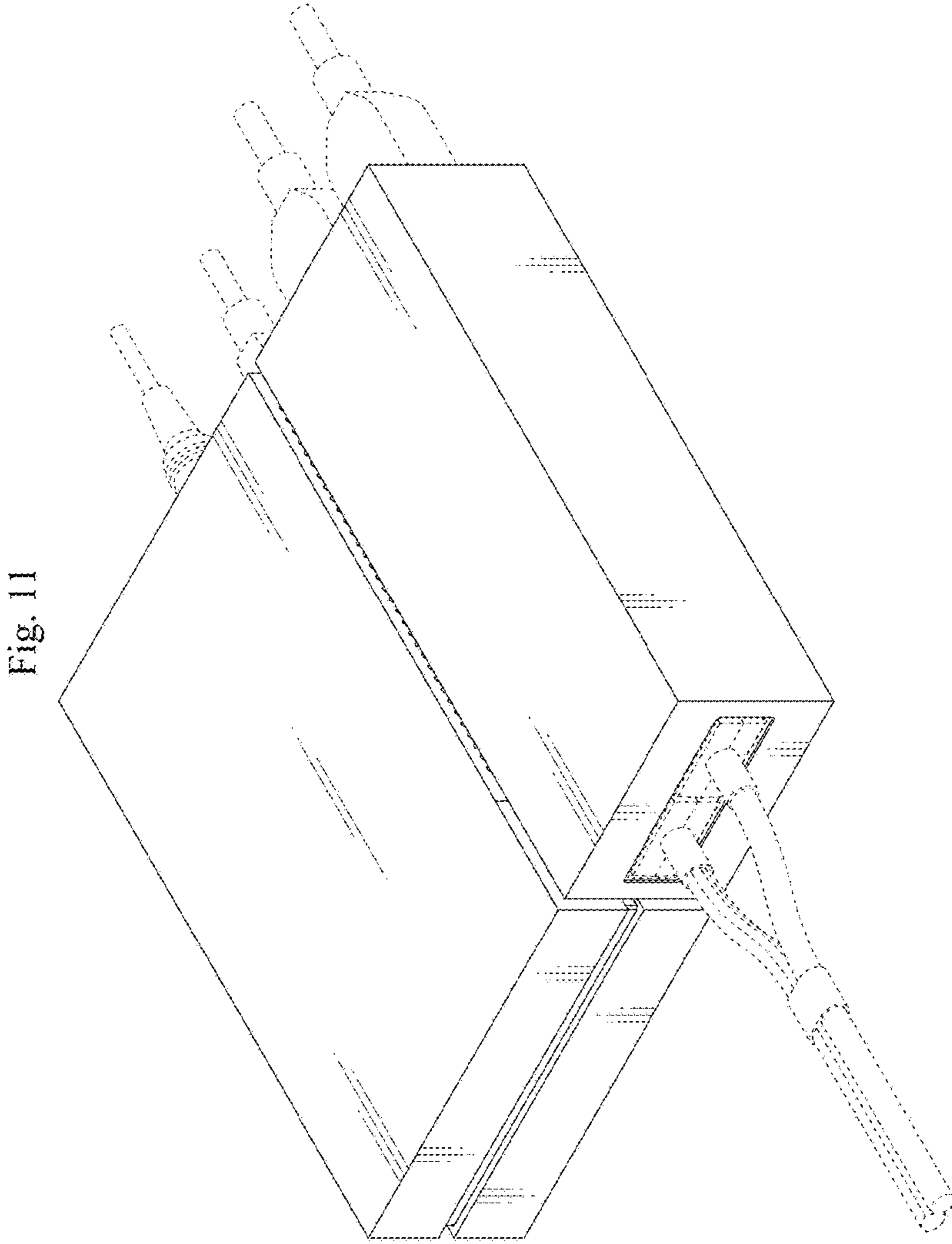


Fig. 12

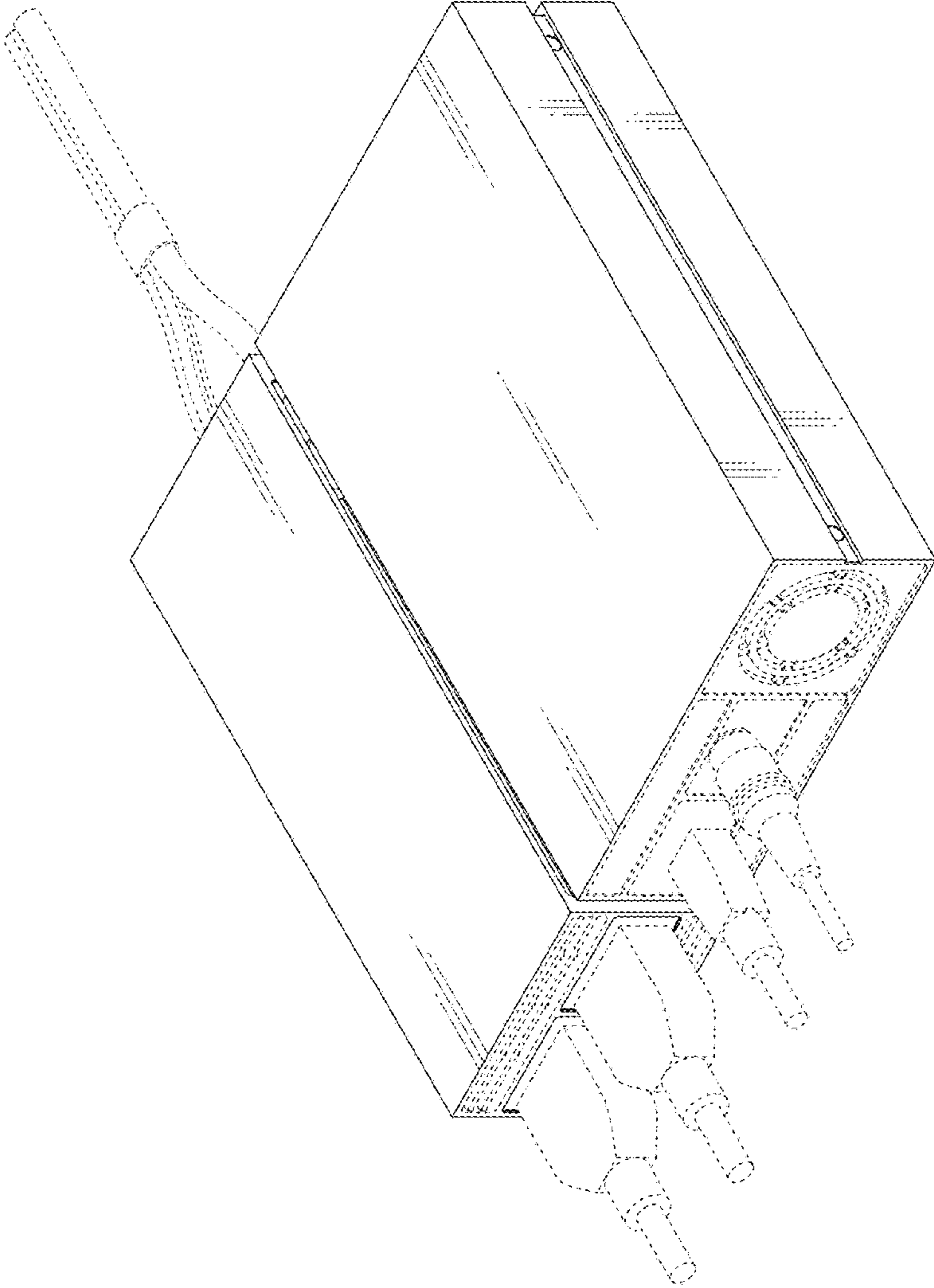


Fig. 13

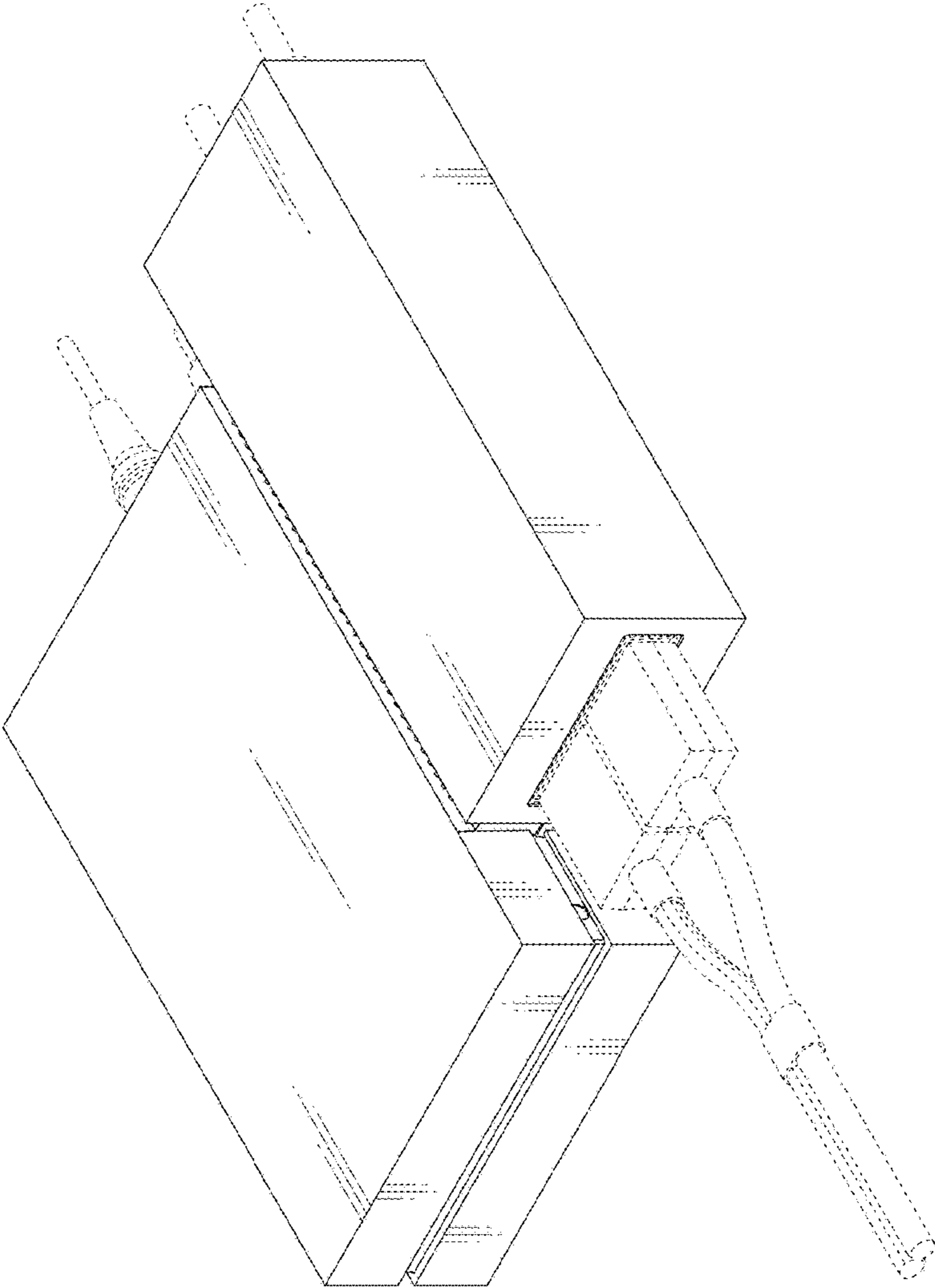


Fig. 14

