

US00D848991S

(12) **United States Design Patent** (10) **Patent No.:** **US D848,991 S**  
**Hwang et al.** (45) **Date of Patent:** **\*\* May 21, 2019**

(54) **STAND FOR TELEVISION RECEIVER**

11/04; F16M 11/043; F16M 11/10; F16M 13/00; H04M 1/04; H04M 1/06

(71) Applicant: **LG ELECTRONICS INC.**, Seoul (KR)

See application file for complete search history.

(72) Inventors: **Bodeung Hwang**, Seoul (KR); **Sangho Lee**, Seoul (KR); **Yongseok Kim**, Seoul (KR); **Junghyun Min**, Seoul (KR)

(56) **References Cited**

U.S. PATENT DOCUMENTS

(73) Assignee: **LG ELECTRONICS INC.**, Seoul (KR)

D559,807 S *	1/2008	Fujii	.....	D14/126
D624,063 S *	9/2010	Kasuga	.....	D14/239
D681,647 S *	5/2013	Choi	.....	D14/451
D684,951 S *	6/2013	Doyle	.....	D14/209.1
D697,881 S *	1/2014	Lee	.....	D14/126
D758,375 S *	6/2016	Won	.....	D14/451
D759,002 S *	6/2016	Won	.....	D14/239
D791,132 S *	7/2017	Oh	.....	D14/374

(\*\*) Term: **15 Years**

(Continued)

(21) Appl. No.: **35/504,276**

(22) Filed: **Jul. 4, 2017**

FOREIGN PATENT DOCUMENTS

(80) **Hague Agreement Data**

WO WO D095256-013 \* 9/2017

Int. Filing Date: **Jul. 4, 2017**

*Primary Examiner* — Jeffrey D Asch

Int. Reg. No.: **DM/096850**

*Assistant Examiner* — Tracey J Bell

Int. Reg. Date: **Jul. 4, 2017**

(74) *Attorney, Agent, or Firm* — Birch, Stewart, Kolasch & Birch, LLP

Int. Reg. Pub. Date: **Jan. 5, 2018**

(30) **Foreign Application Priority Data**

Jan. 9, 2017 (KR) ..... 30-2017-0001209

(51) **LOC (11) Cl.** ..... **14-03**

(52) **U.S. Cl.**  
USPC ..... **D14/239**

(58) **Field of Classification Search**

USPC ..... D14/125–134, 239, 314–316, 322, 326, D14/334–336, 339–341, 371, 373–374, D14/448, 450, 214, 451, 251–253, 447, D14/434, 432, 439, 142, 217, 209–209.1, D14/229; D21/329, 322, 515; D6/300, D6/310, 314, 320, 322, 553, 525, 672, D6/407, 567, 701, 542; D8/349; D20/41, 42; D10/26

CPC ..... G06F 1/16; G06F 1/1601; G06F 1/1637; G06F 1/1643; H04N 5/64; H05K 5/0204; H05K 5/0017; H05K 5/0217; H05K 5/0004; H05K 5/02; F16M 11/00; F16M

(57) **CLAIM**

The ornamental design for a stand for television receiver, as shown and described.

**DESCRIPTION**

1. Stand for television receiver

1.1 : Perspective

1.2 : Front

1.3 : Back

1.4 : Left

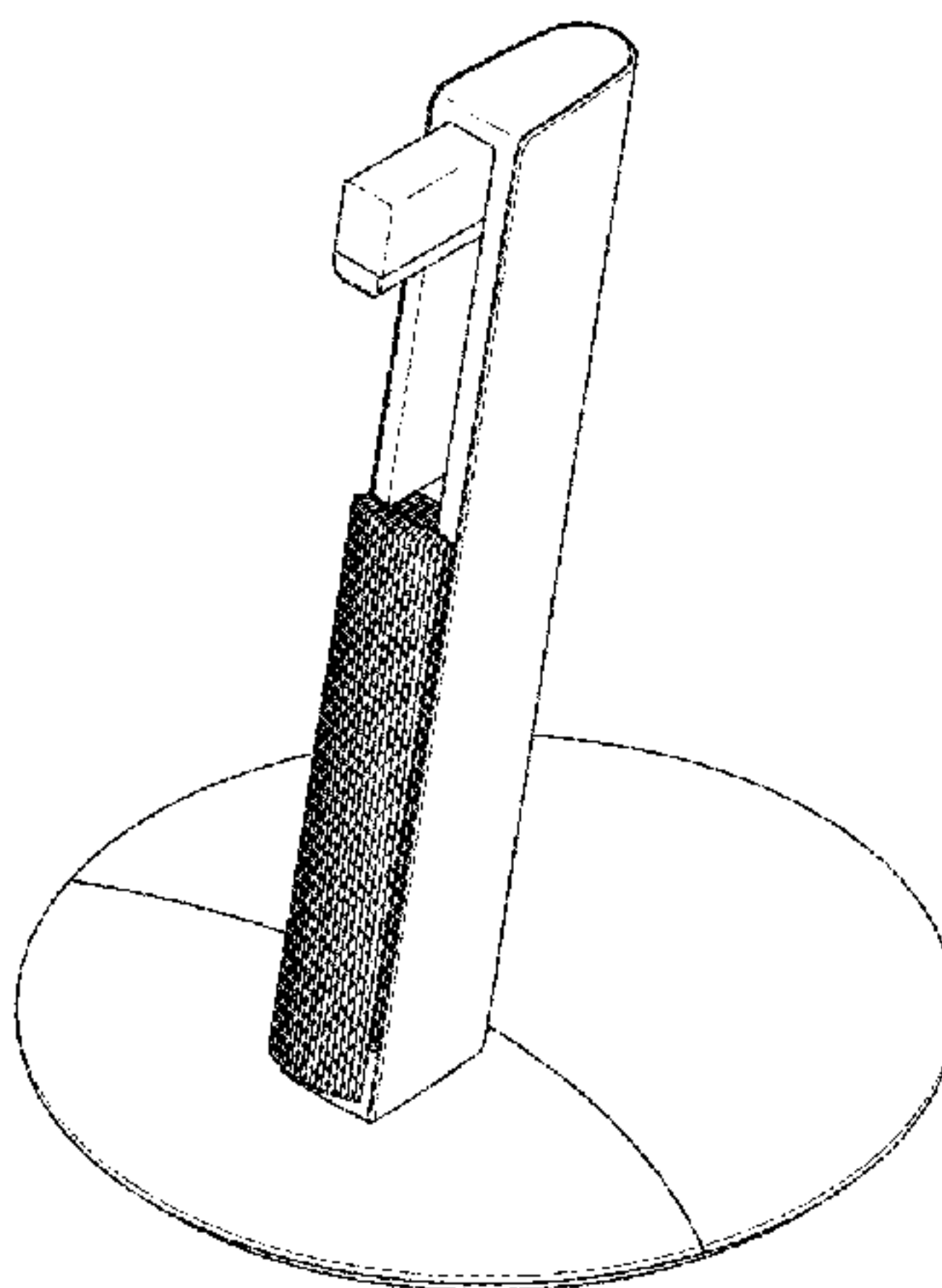
1.5 : Right

1.6 : Top

1.7 : Bottom

1.8 : Reference

(Continued)



The broken line showing of a television receiver in Figure 1.8 is for the purpose of illustrating environmental structure and forms no part of the claimed design.

**1 Claim, 5 Drawing Sheets**

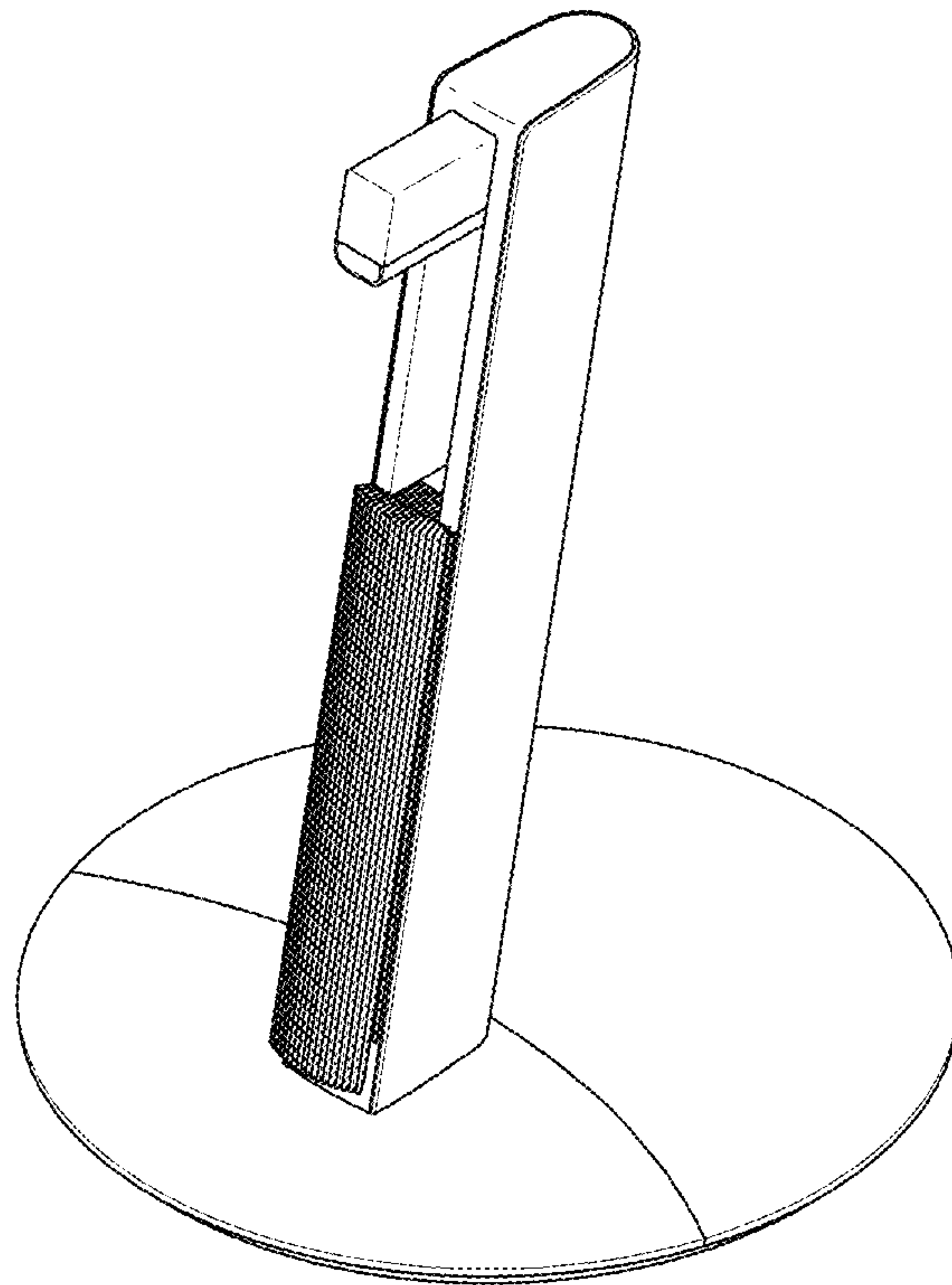
(56) **References Cited**

U.S. PATENT DOCUMENTS

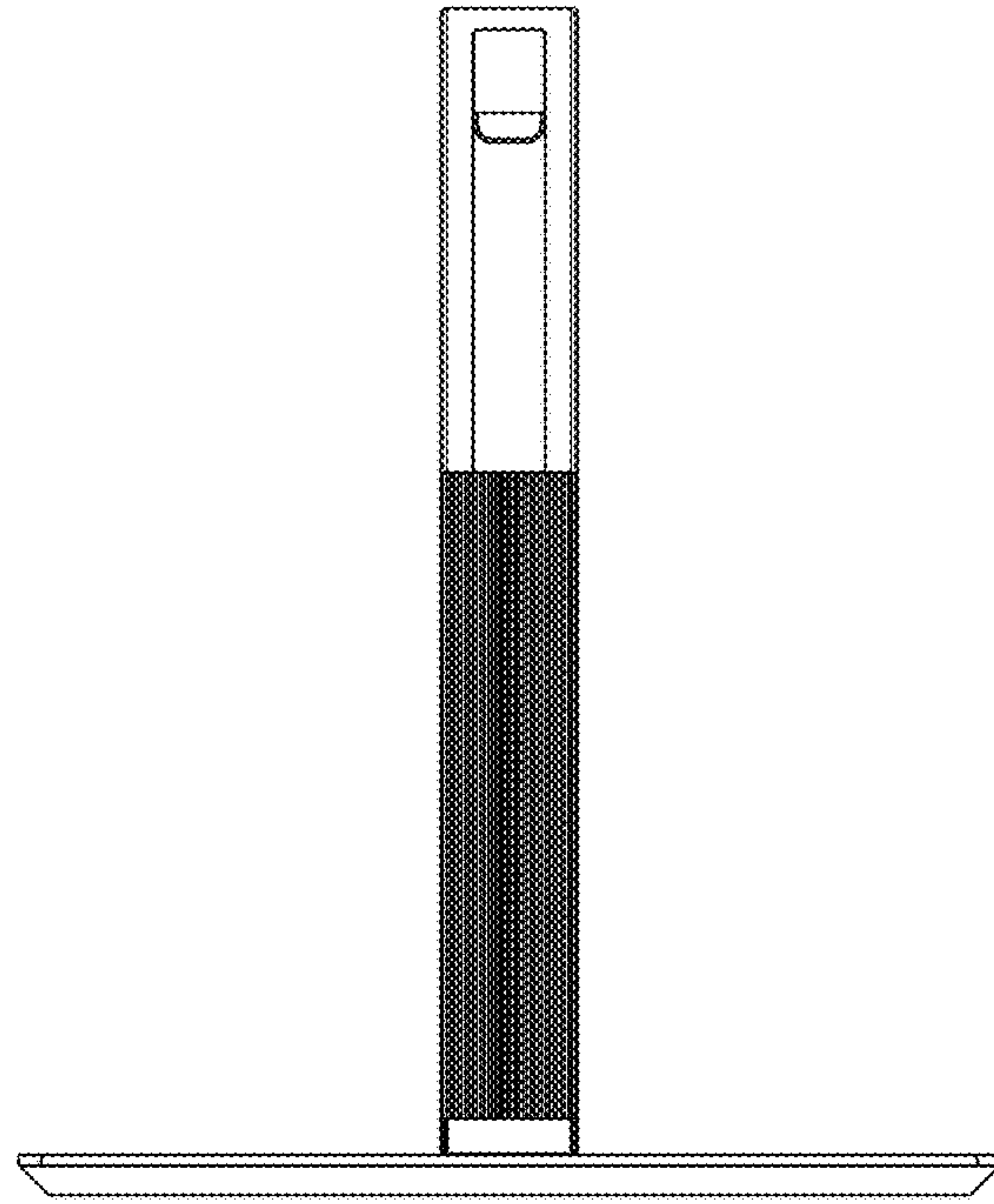
D805,522	S	*	12/2017	Won	.....	D14/451
D817,958	S	*	5/2018	Won	.....	D14/374
D826,876	S	*	8/2018	Kim	.....	D14/125
2010/0090070	A1	*	4/2010	Huang	.....	F16M 11/10 248/122.1
2013/0335644	A1	*	12/2013	Horii	.....	H04N 5/64 348/836

\* cited by examiner

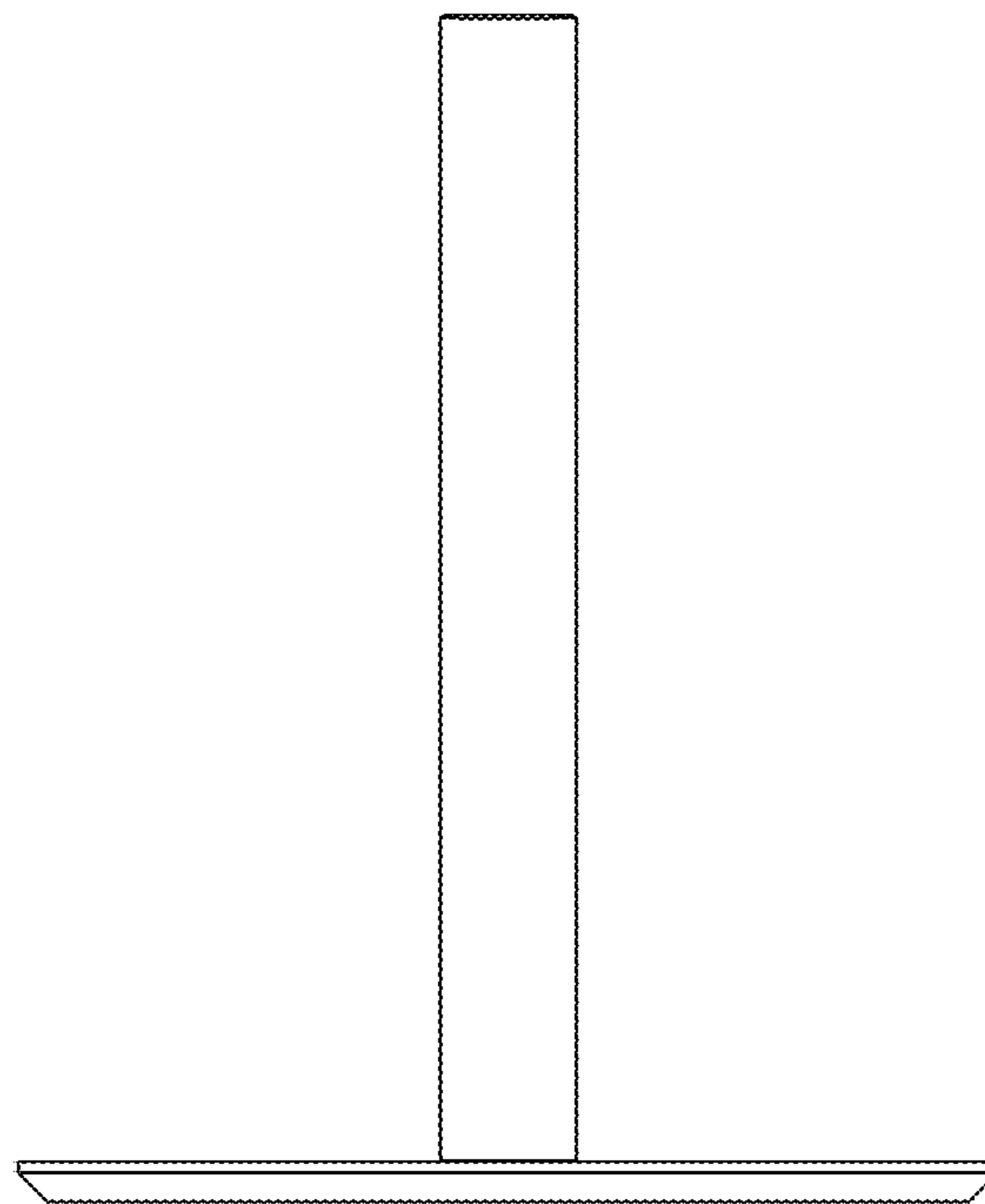
1.1



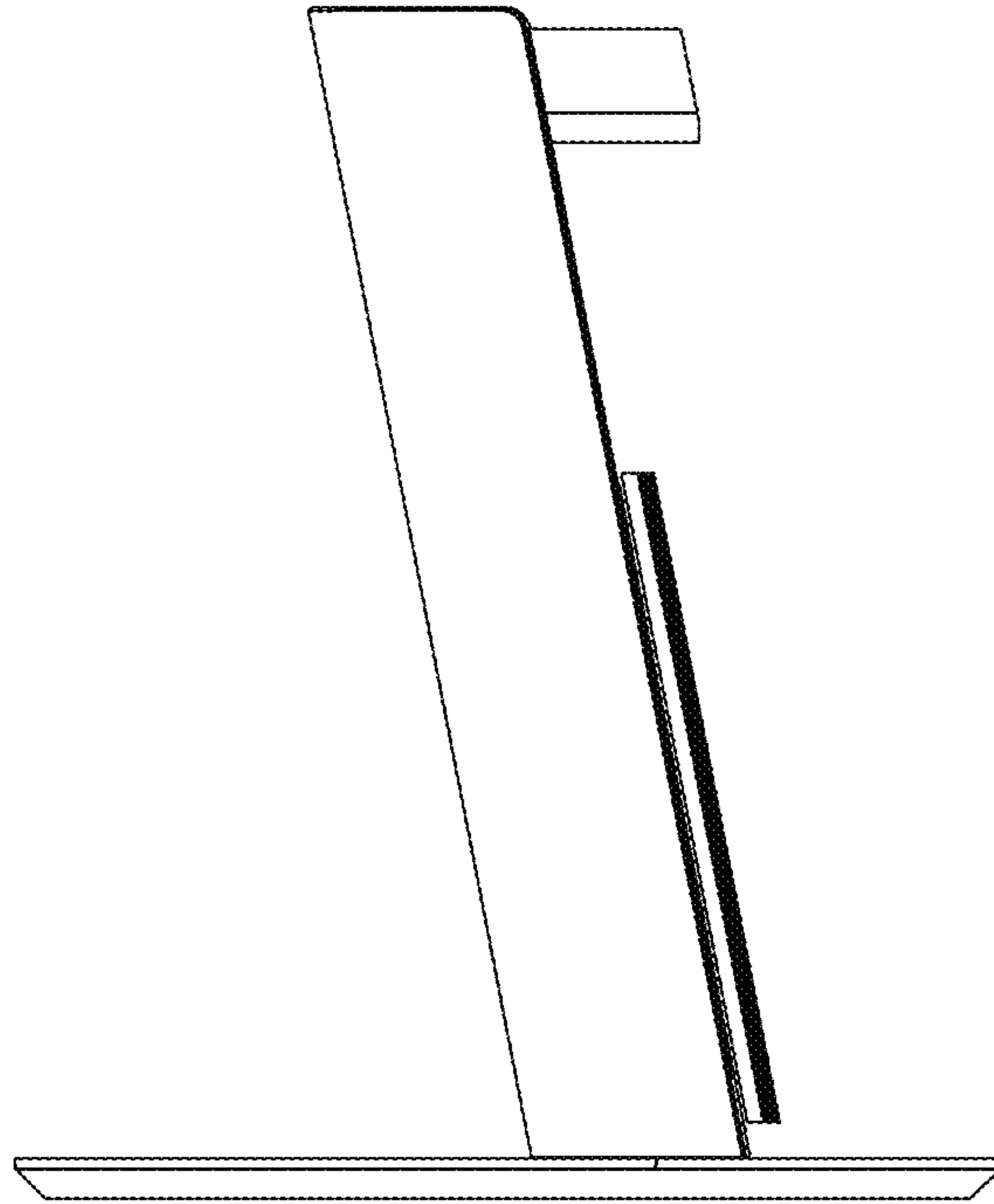
1.2



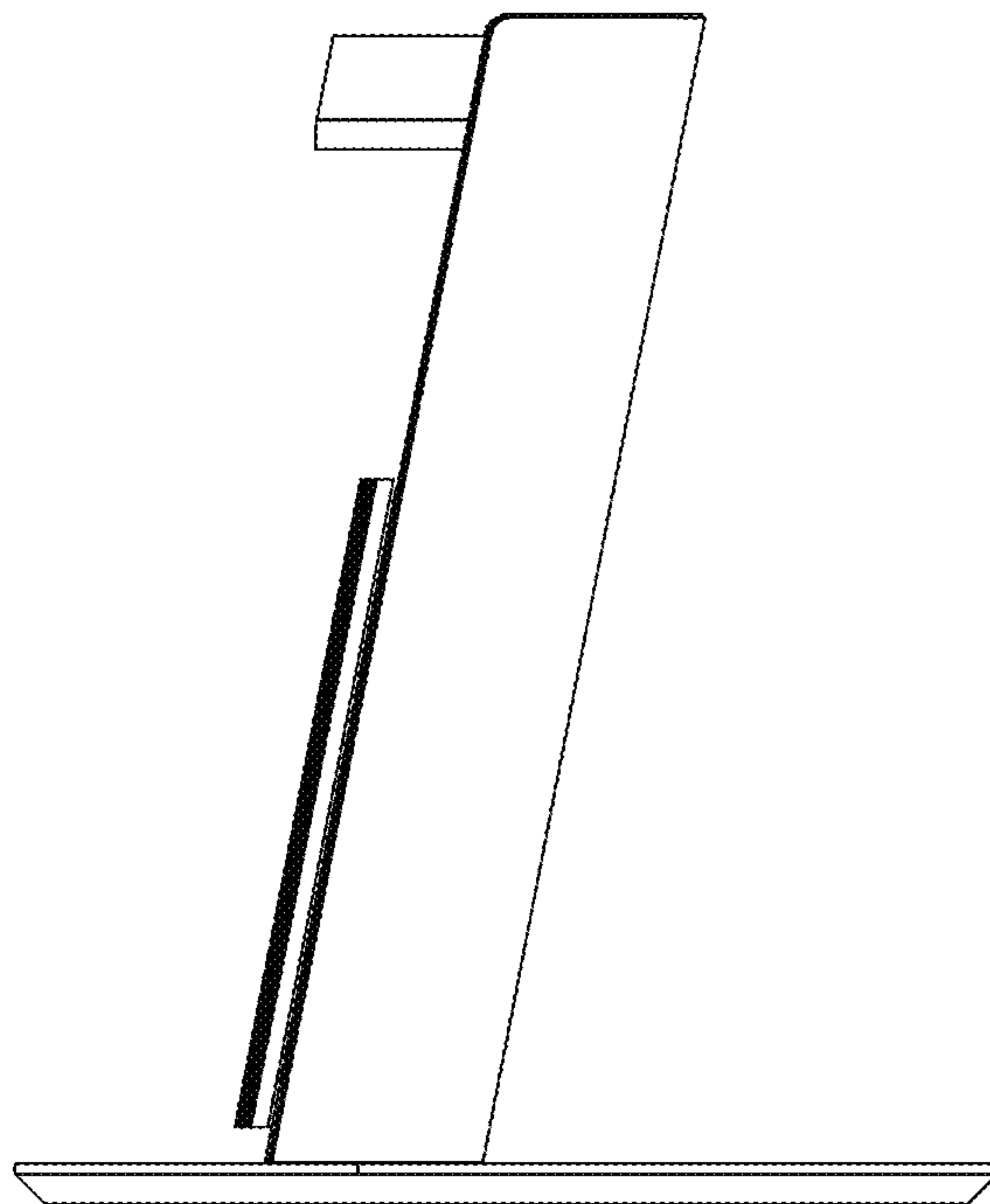
1.3



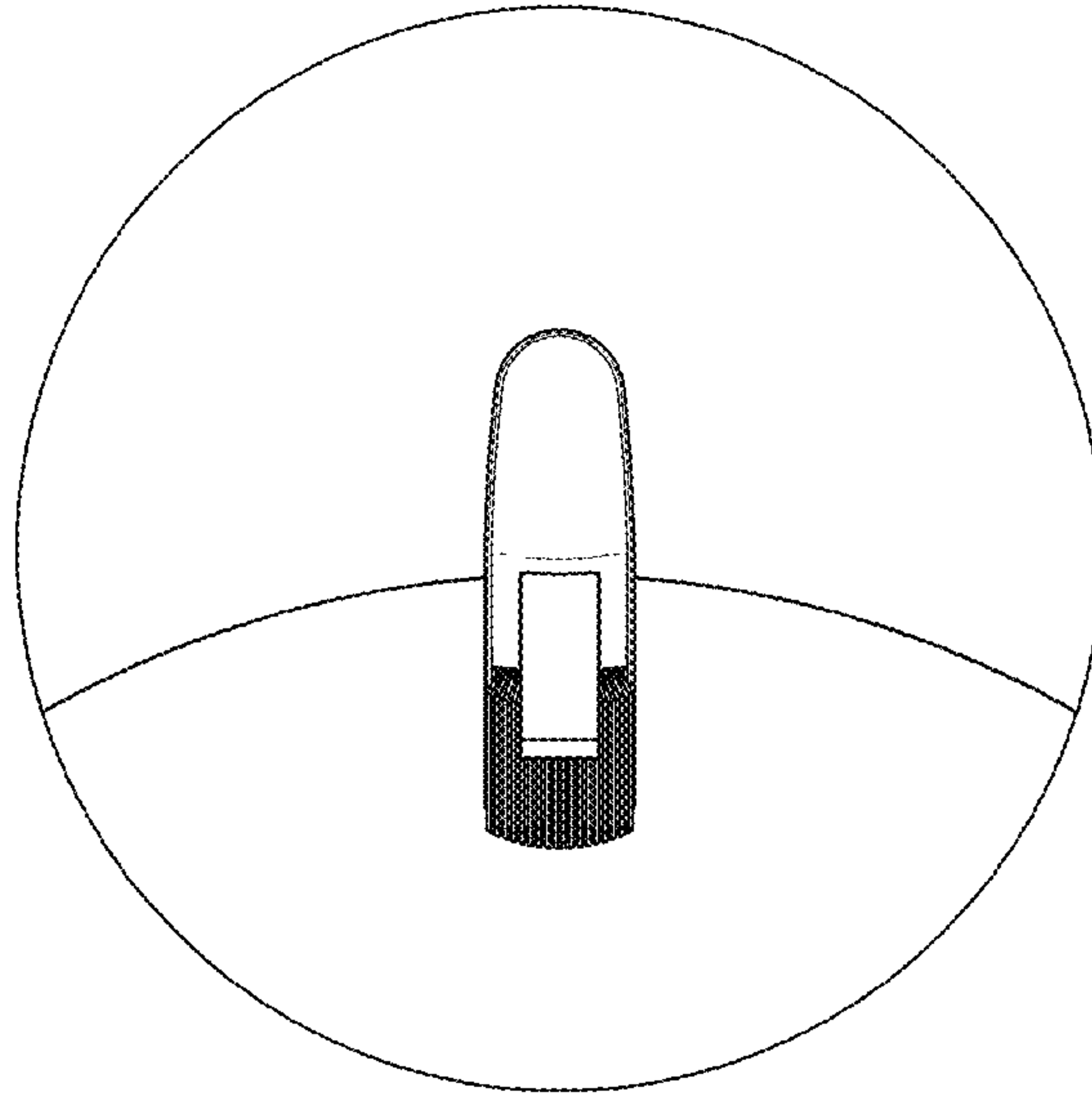
1.4



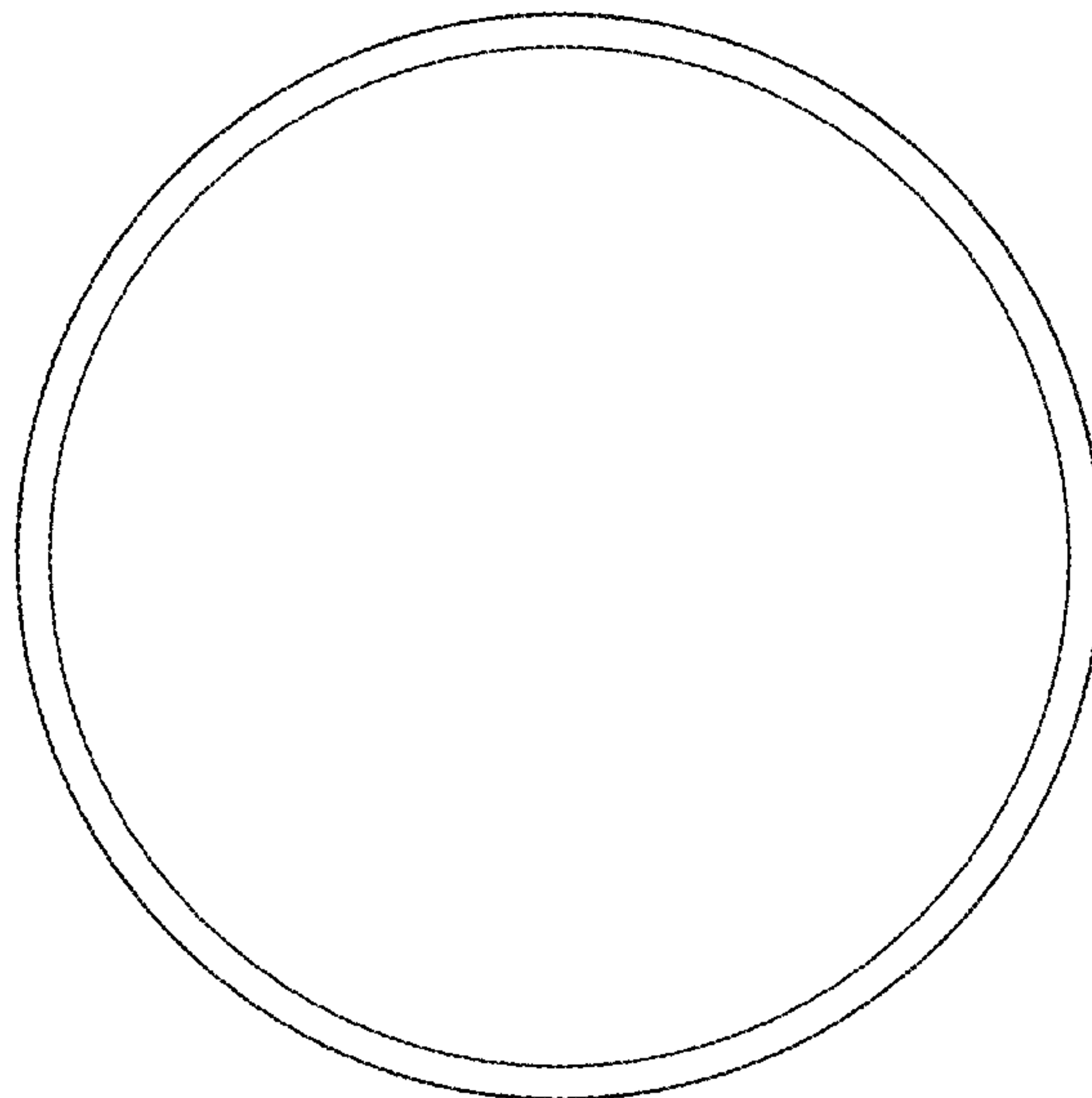
1.5



1.6



1.7



1.8

