



US00D848990S

(12) **United States Design Patent** (10) **Patent No.:** **US D848,990 S**
Pei (45) **Date of Patent:** **** May 21, 2019**

(54) **TV MOUNT BRACKET**

(71) Applicant: **Xubo Pei**, Guangdong (CN)

(72) Inventor: **Xubo Pei**, Guangdong (CN)

(**) Term: **15 Years**

(21) Appl. No.: **29/648,444**

(22) Filed: **May 21, 2018**

(51) **LOC (11) Cl.** **14-03**

(52) **U.S. Cl.**
USPC **D14/239**

(58) **Field of Classification Search**
USPC D14/239, 371, 136, 374-377; D8/363, D8/373, 349, 394; 248/465, 917-924, 248/123.11; 348/825, 827, 836, 837, 838, 348/180, 184, 325, 739; 600/443; D6/477-479, 407, 474, 460, 461, 468; 312/7.2; 341/12; 345/87, 104, 133, 156, 345/168, 169, 173; 720/605, 669, 600, 720/655; 369/99, 197; 455/344-347; 349/1, 2, 11, 62; 108/59, 91, 92, 96; 211/40, 41.12, 42, 49.1, 50, 85.2, 90.04, 211/187, 190, 119.003, 134.1, 53, 87.01, 211/71.01

CPC A47B 43/00; G03B 1/00
See application file for complete search history.

(56) **References Cited**

U.S. PATENT DOCUMENTS

D553,125 S *	10/2007	Ly Hau	D14/239
D634,739 S *	3/2011	Molter	D14/239
D684,566 S *	6/2013	Sexton	D14/239
D703,641 S *	4/2014	Xiang	D14/239
8,746,639 B2 *	6/2014	Nguyen	F16M 11/10 248/205.1
D747,724 S *	1/2016	Kulkarni	D14/452

* cited by examiner

Primary Examiner — Randall H Gholson

(74) *Attorney, Agent, or Firm* — Hauptman Ham, LLP

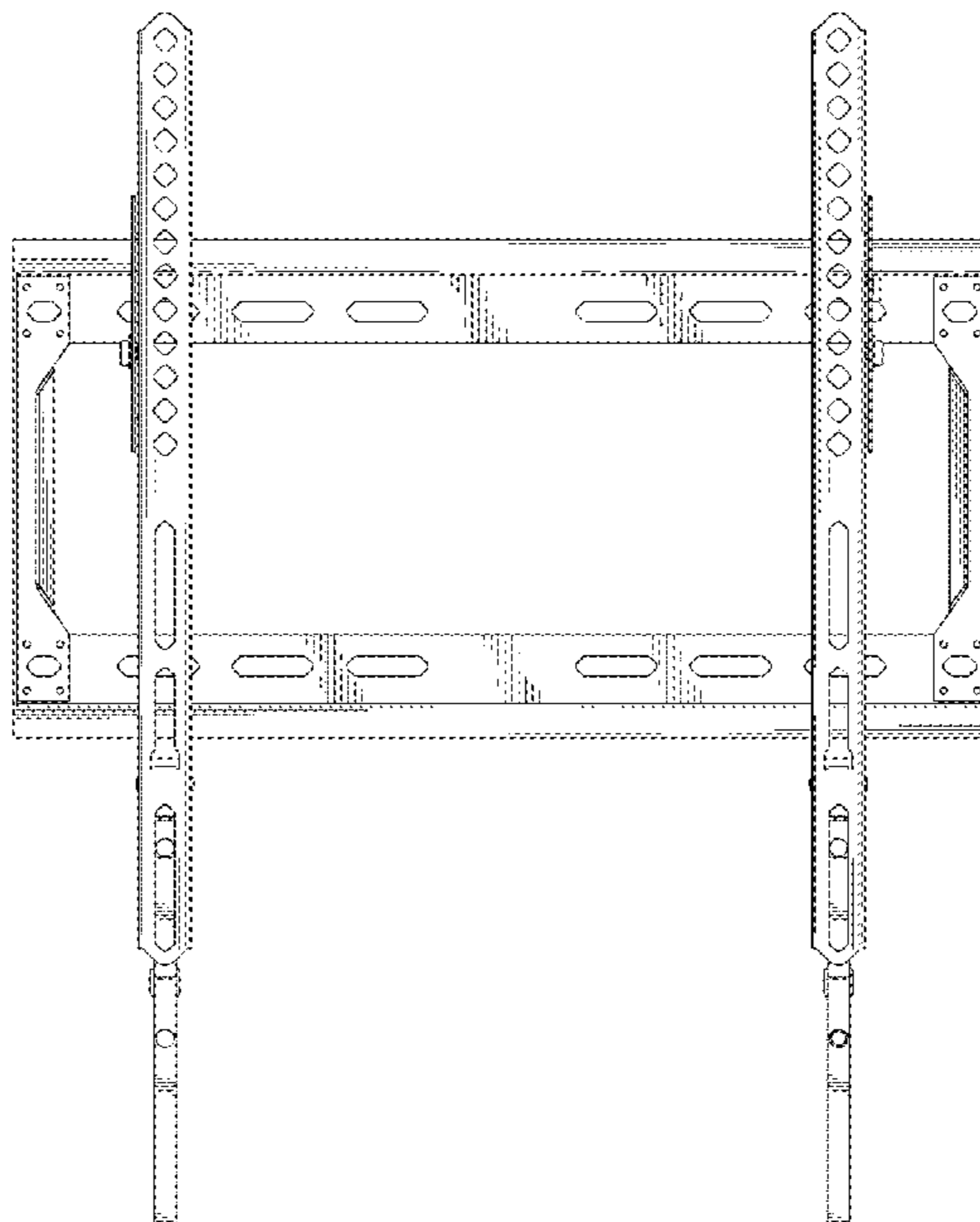
(57) **CLAIM**

The ornamental design for a TV mount bracket, as shown.

DESCRIPTION

FIG. 1 is a front view of a TV mount bracket bearing the design;
FIG. 2 is a rear view thereof;
FIG. 3 is a left side view thereof;
FIG. 4 is a right side view thereof;
FIG. 5 is a top plan view thereof;
FIG. 6 is a bottom plan view thereof;
FIG. 7 is a front-top-left perspective view thereof; and,
FIG. 8 is a rear-top-left perspective view thereof.

1 Claim, 6 Drawing Sheets



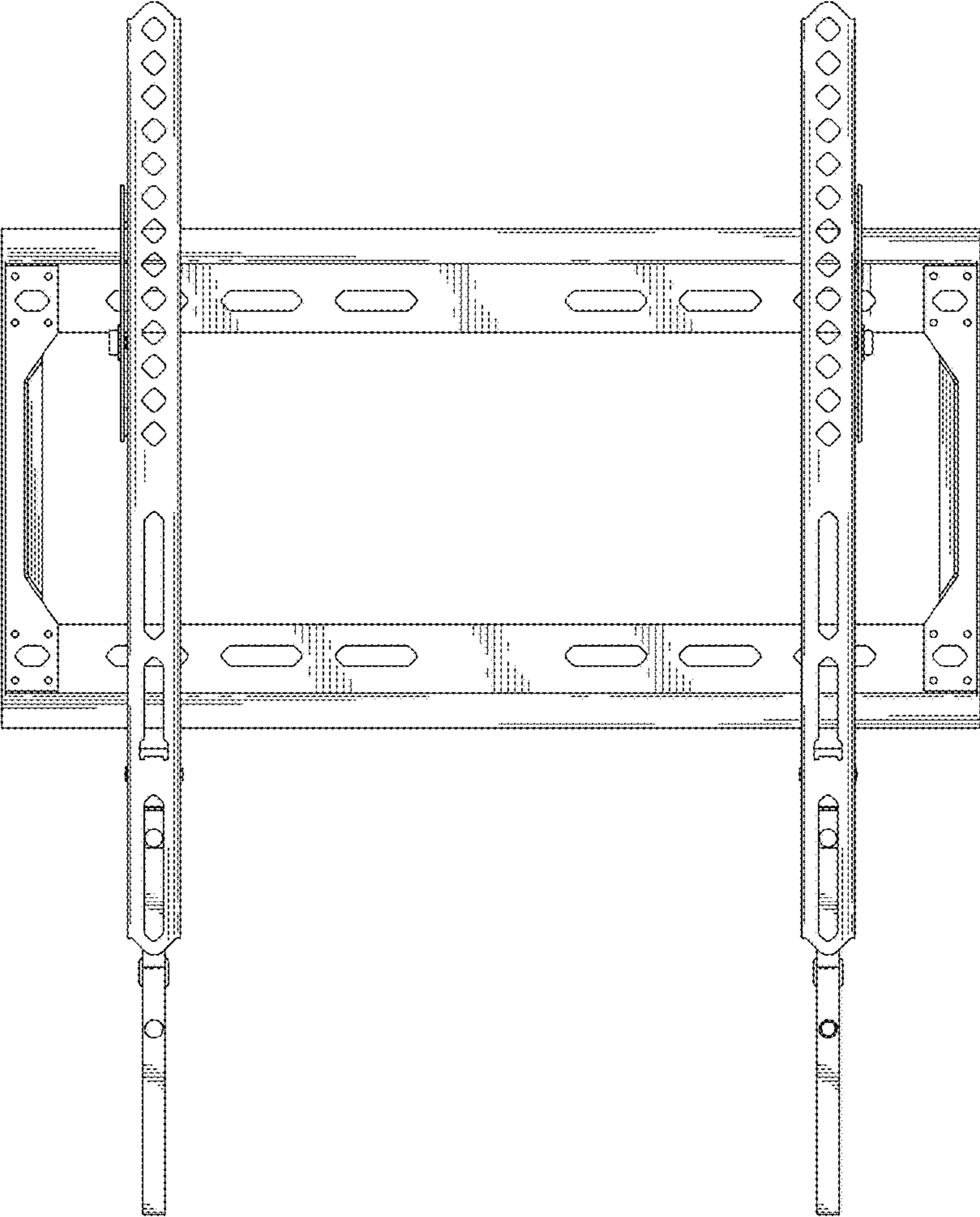


FIG.1

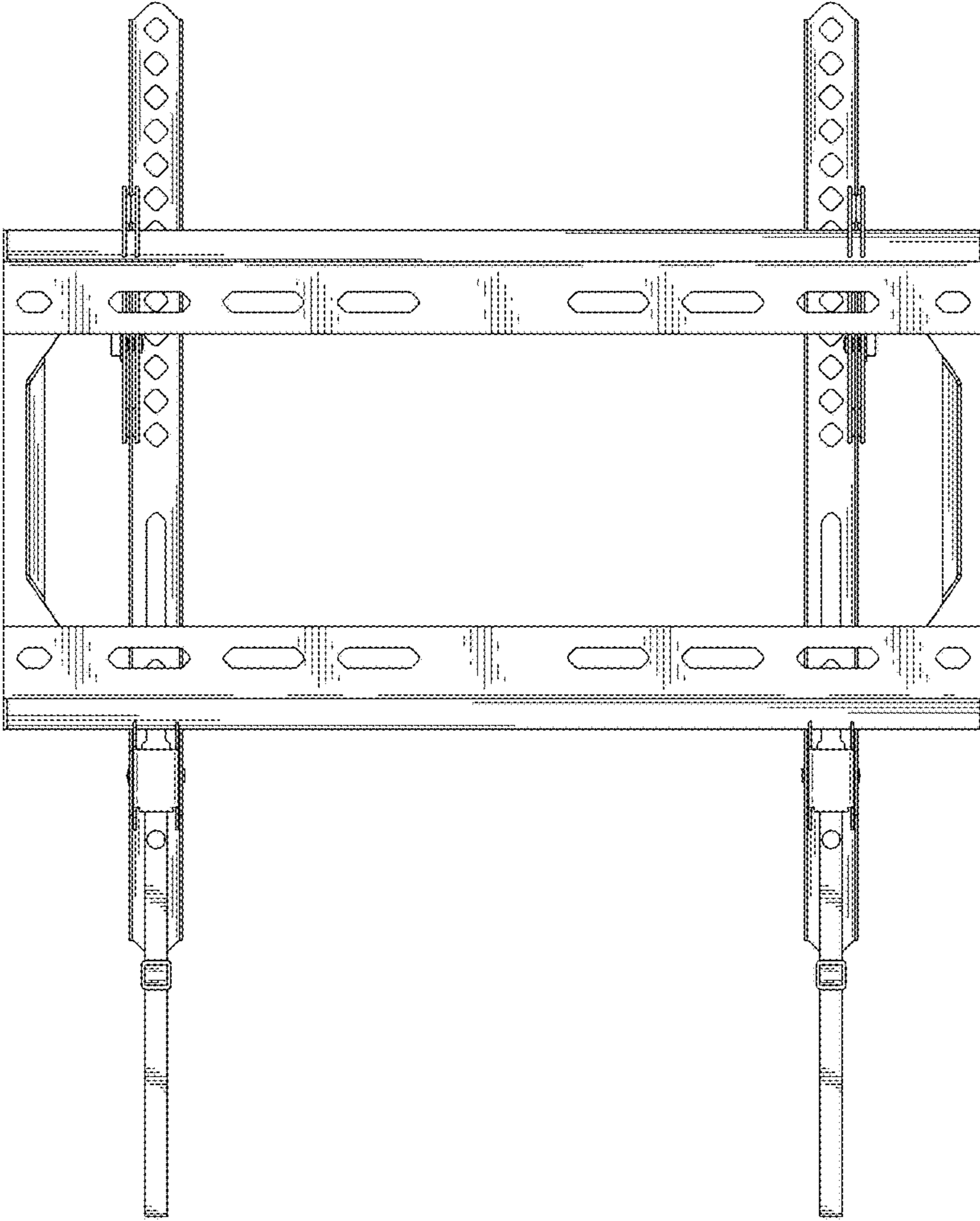


FIG.2



FIG. 3



FIG. 4

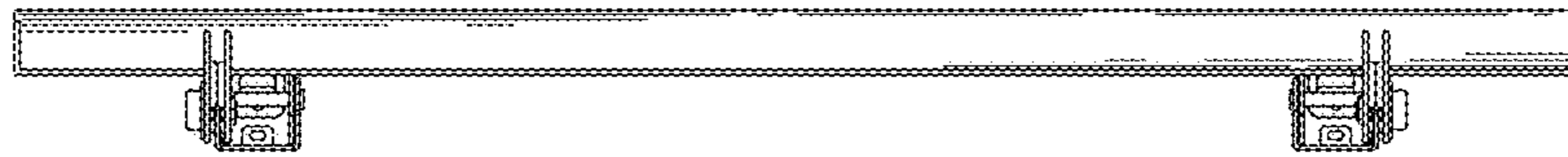


FIG. 5



FIG. 6

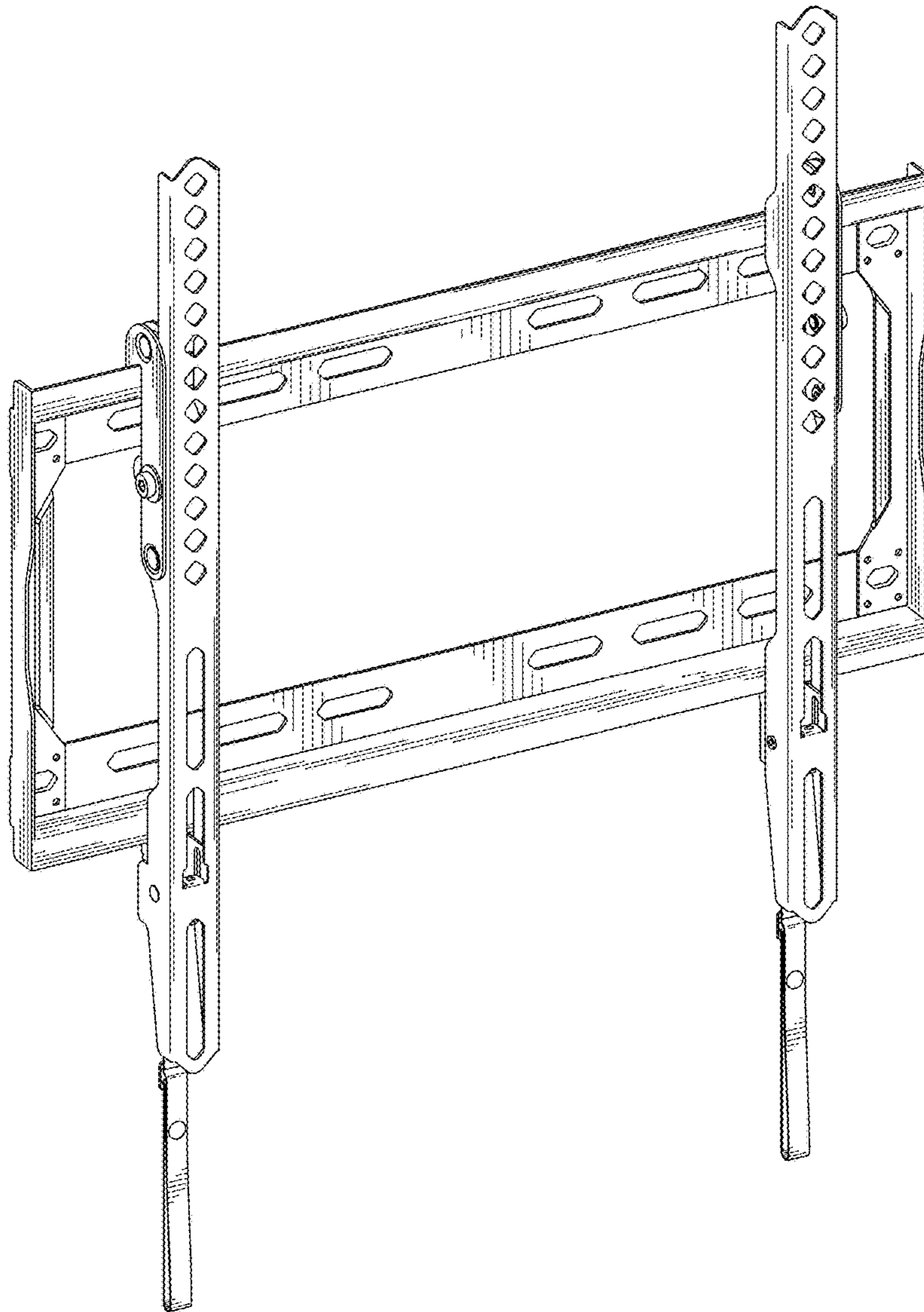


FIG. 7

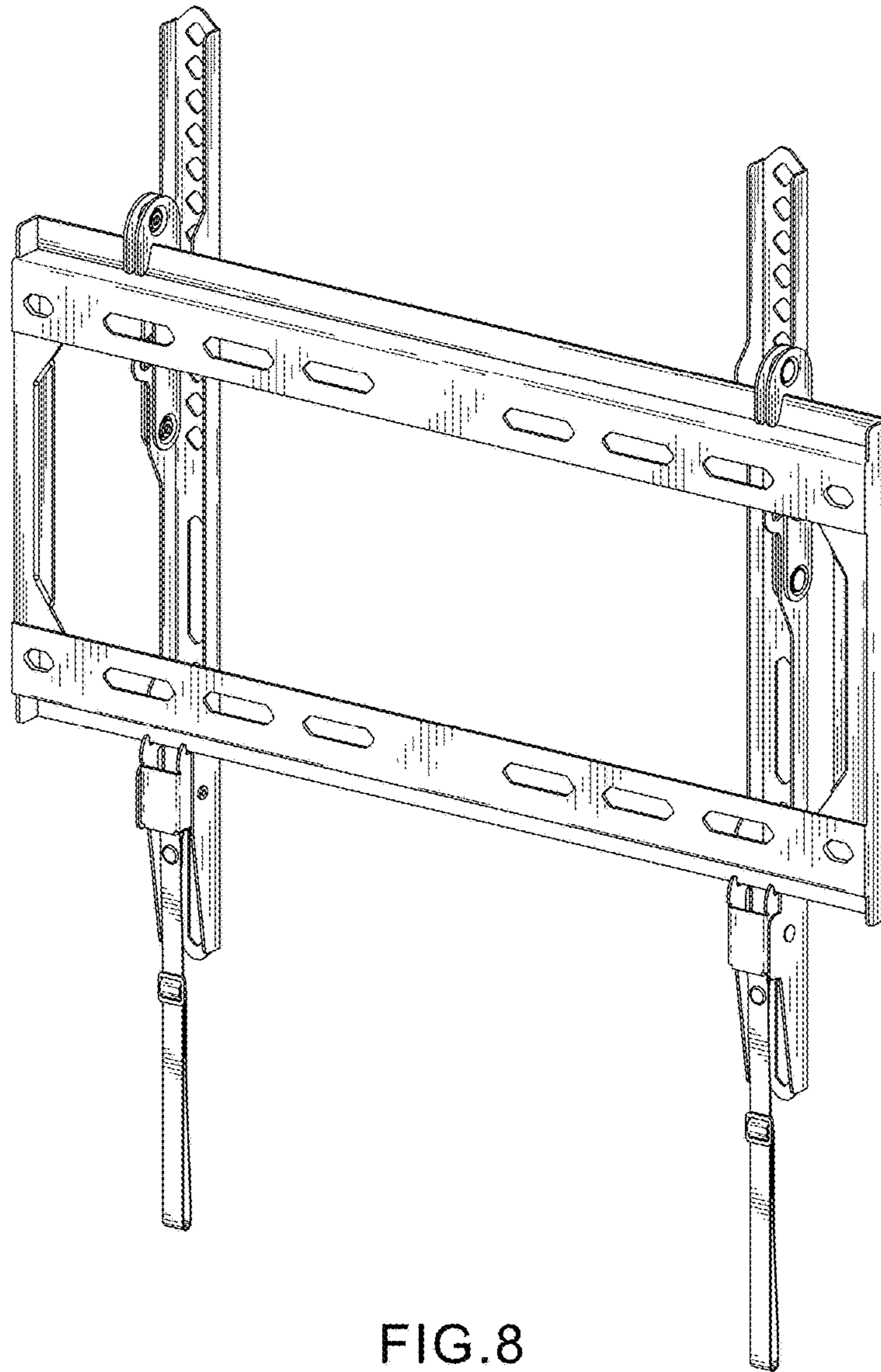


FIG. 8