



US00D848987S

(12) **United States Design Patent** (10) **Patent No.:** **US D848,987 S**
He et al. (45) **Date of Patent:** **** May 21, 2019**

(54) **ANTENNA**

19/07773; G06K 19/07775; G06K
19/07777; G08B 13/2468; G08B 13/2477;
H01Q 1/088

(71) Applicant: **Airgain Incorporated**, San Diego, CA
(US)

See application file for complete search history.

(72) Inventors: **Ziming He**, Irvine, CA (US); **Xiangjie
Bian**, Zhang Jia Gang (CN)

(56) **References Cited**

(73) Assignee: **Airgain Incorporated**, San Diego, CA
(US)

U.S. PATENT DOCUMENTS

(**) Term: **15 Years**

7,061,437	B2 *	6/2006	Lin	343/700	MS
D791,108	S *	7/2017	He	D14/230	
D792,381	S *	7/2017	He	D14/230	
D807,864	S *	1/2018	He	D14/230	
D821,367	S *	6/2018	Zheng	D14/230	
D821,368	S *	6/2018	He	D14/230	
D823,838	S *	7/2018	Gosalia	D14/230	
D825,538	S *	8/2018	He	D14/230	
2005/0259024	A1 *	11/2005	Hung	H01Q 1/36	343/770

(21) Appl. No.: **29/654,074**

(22) Filed: **Jun. 20, 2018**

* cited by examiner

Related U.S. Application Data

(62) Division of application No. 29/631,613, filed on Dec.
30, 2017, now Pat. No. Des. 821,368, which is a
division of application No. 29/610,824, filed on Jul.
16, 2017, now Pat. No. Des. 807,864, which is a
division of application No. 29/555,959, filed on Feb.
25, 2016, now Pat. No. Des. 792,381.

Primary Examiner — Khawaja Anwar
Assistant Examiner — Mojtaba Tehrani
(74) *Attorney, Agent, or Firm* — Clause Eight IPS;
Michael Catania

(51) **LOC (11) Cl.** **14-03**

(52) **U.S. Cl.**
USPC **D14/230**

(57) **CLAIM**

The ornamental design for an antenna, as shown and
described.

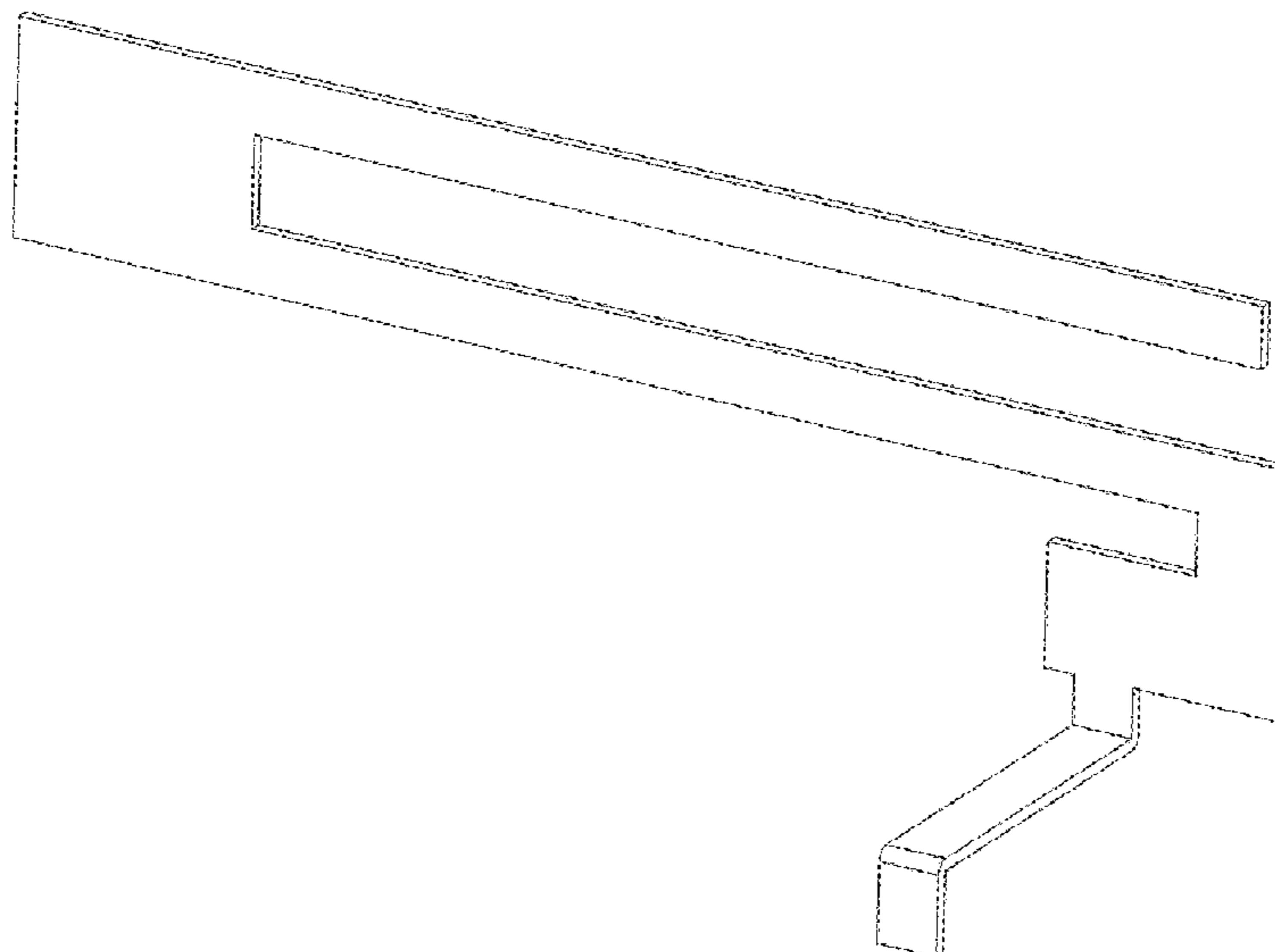
(58) **Field of Classification Search**

USPC D14/138, 230, 231, 232, 234, 235, 236,
D14/237, 238, 238.1, 250, 299, 358;
D13/175, 182
CPC G01R 29/10; G01S 2013/0245; G01S
2013/0254; G01S 2013/0263; G01S
7/4026; G05B 2219/45001; G06K

DESCRIPTION

FIG. 1 is a top perspective view of an antenna, showing our
new design;
FIG. 2 is a top plan view thereof;
FIG. 3 is a front elevation view thereof; and,
FIG. 4 is a side elevation view thereof.

1 Claim, 1 Drawing Sheet



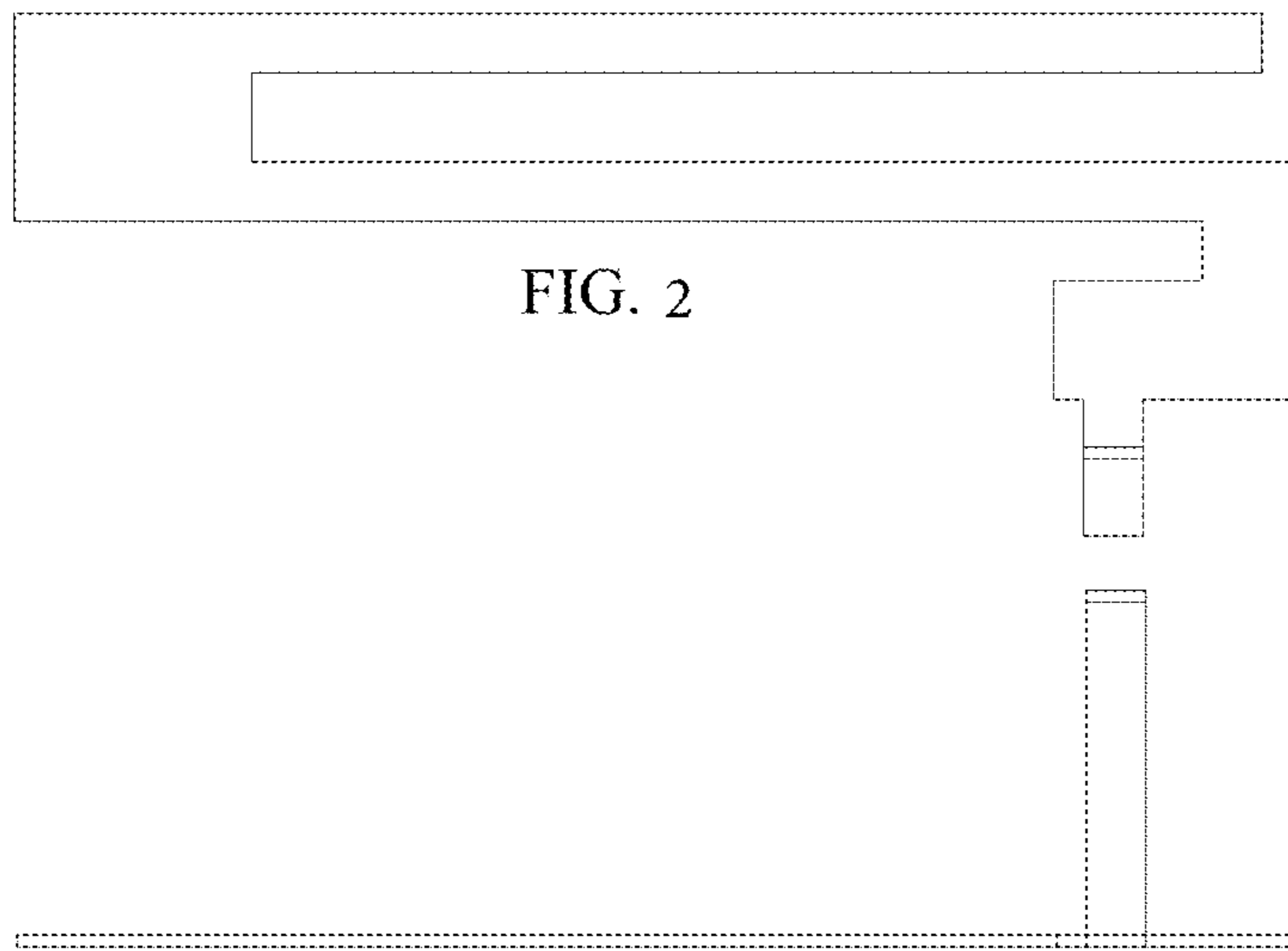
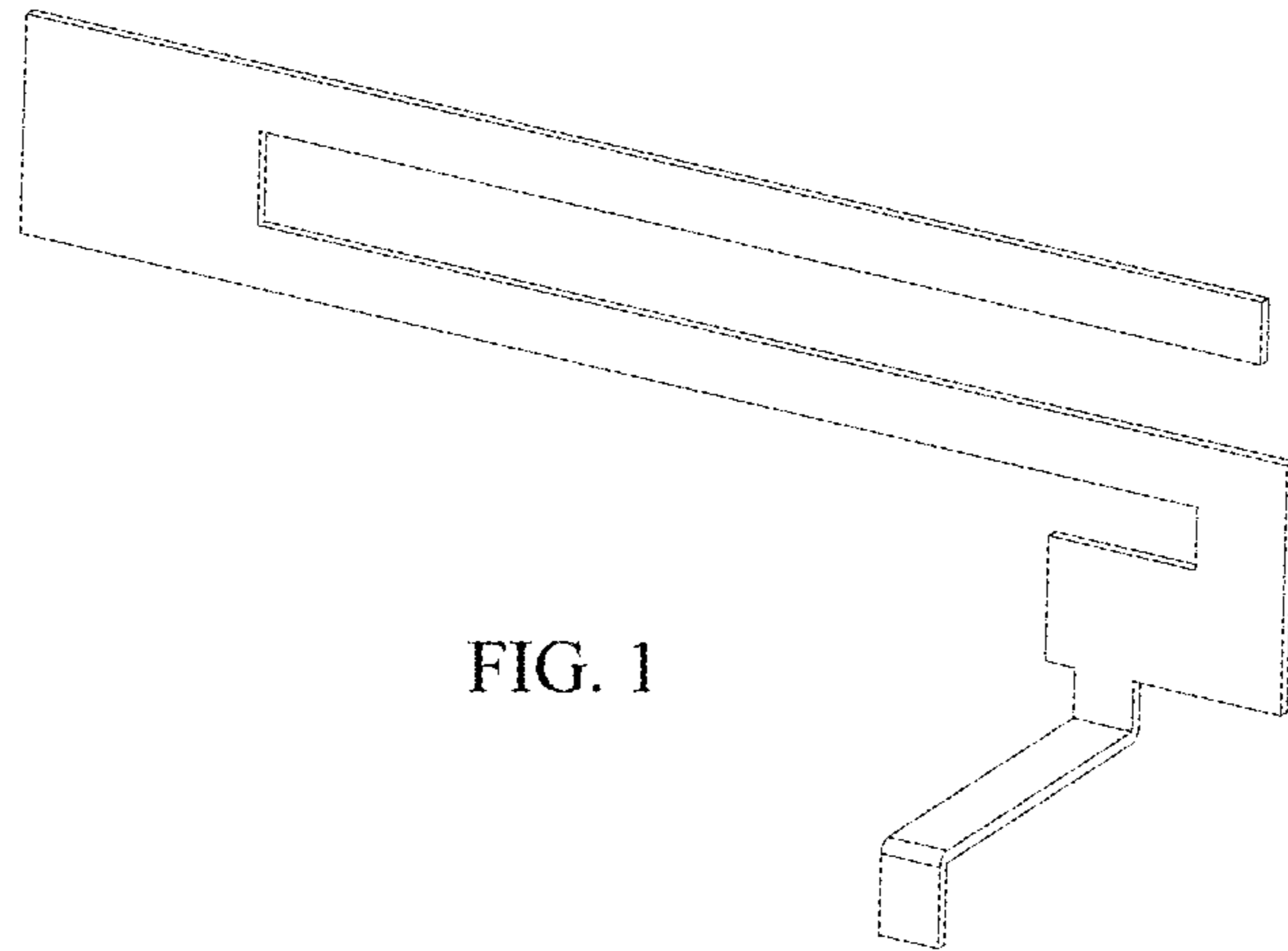


FIG. 3

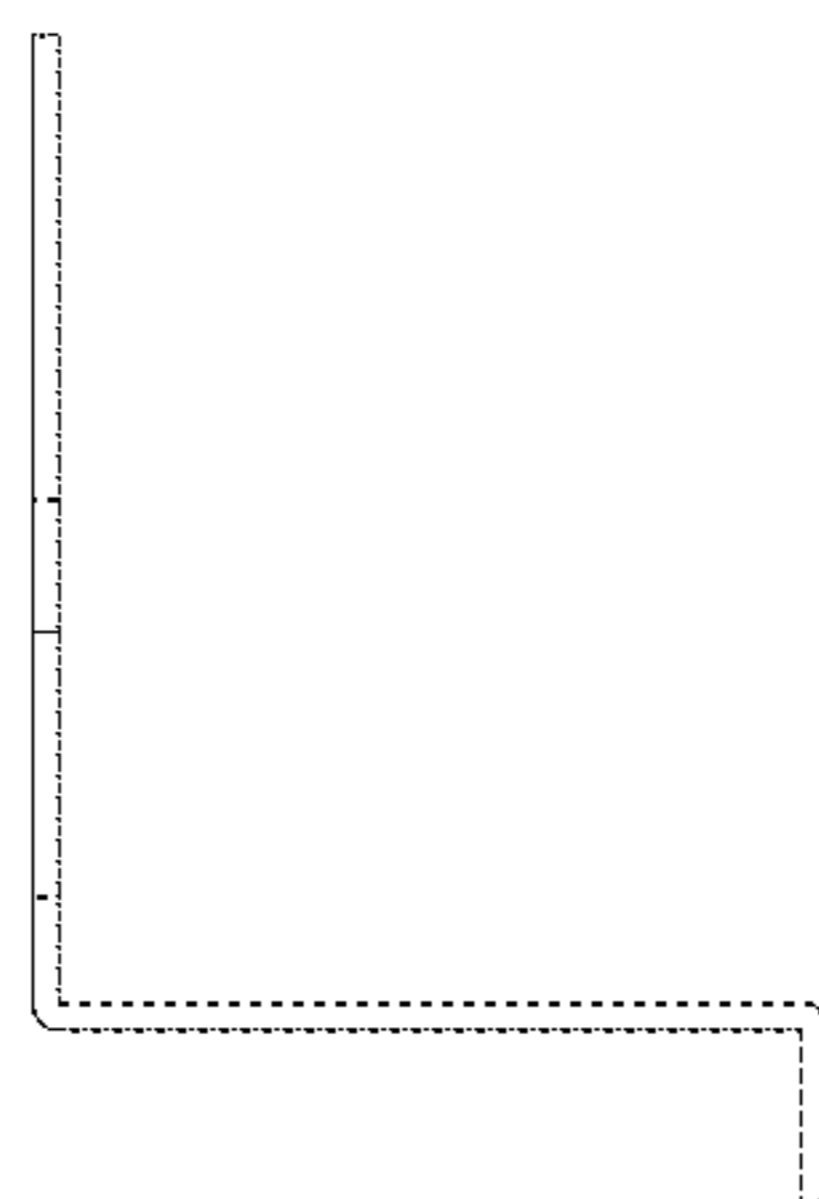


FIG. 4