



US00D848986S

(12) **United States Design Patent** (10) **Patent No.:** **US D848,986 S**  
**Zheng et al.** (45) **Date of Patent:** **\*\* May 21, 2019**

(54) **ANTENNA**

(71) Applicant: **Airgain Incorporated**, San Diego, CA (US)

(72) Inventors: **Bei Zheng**, Zhang Jia Gang (CN); **Geoff Schulteis**, San Diego, CA (US)

(73) Assignee: **Airgain Incorporated**, San Diego, CA (US)

(\*\*) Term: **15 Years**

(21) Appl. No.: **29/653,770**

(22) Filed: **Jun. 18, 2018**

**Related U.S. Application Data**

(62) Division of application No. 29/615,184, filed on Aug. 26, 2017, now Pat. No. Des. 821,367, which is a division of application No. 29/558,024, filed on Mar. 15, 2016, now Pat. No. Des. 795,848.

(51) **LOC (11) Cl.** ..... **14-03**

(52) **U.S. Cl.**  
USPC ..... **D14/230**

(58) **Field of Classification Search**  
USPC ..... D14/138, 230, 231, 232, 234, 235, 236, D14/237, 238, 238.1, 250, 299, 358; D13/175, 182  
CPC ..... G01R 29/10; G01S 2013/0245; G01S 2013/0254; G01S 2013/0263; G01S 7/4026; G05B 2219/45001; G06K 19/07773; G06K 19/07775; G06K 19/07777; G08B 13/2468; G08B 13/2477; H01Q 1/088

See application file for complete search history.

(56) **References Cited**

**U.S. PATENT DOCUMENTS**

D791,108 S *	7/2017	He	.....	D14/230
D792,381 S *	7/2017	He	.....	D14/230
D795,848 S *	8/2017	Zheng	.....	D14/230
D799,453 S *	10/2017	Chang	.....	D14/230
D807,864 S *	1/2018	He	.....	D14/230
D821,367 S *	6/2018	Zheng	.....	D14/230
D821,368 S *	6/2018	He	.....	D14/230
D825,538 S *	8/2018	He	.....	D14/230
2005/0128151 A1 *	6/2005	Kwak	.....	H01Q 1/243 343/702

\* cited by examiner

*Primary Examiner* — Khawaja Anwar

*Assistant Examiner* — Mojtaba Tehrani

(74) *Attorney, Agent, or Firm* — Clause Eight IPS; Michael Catania

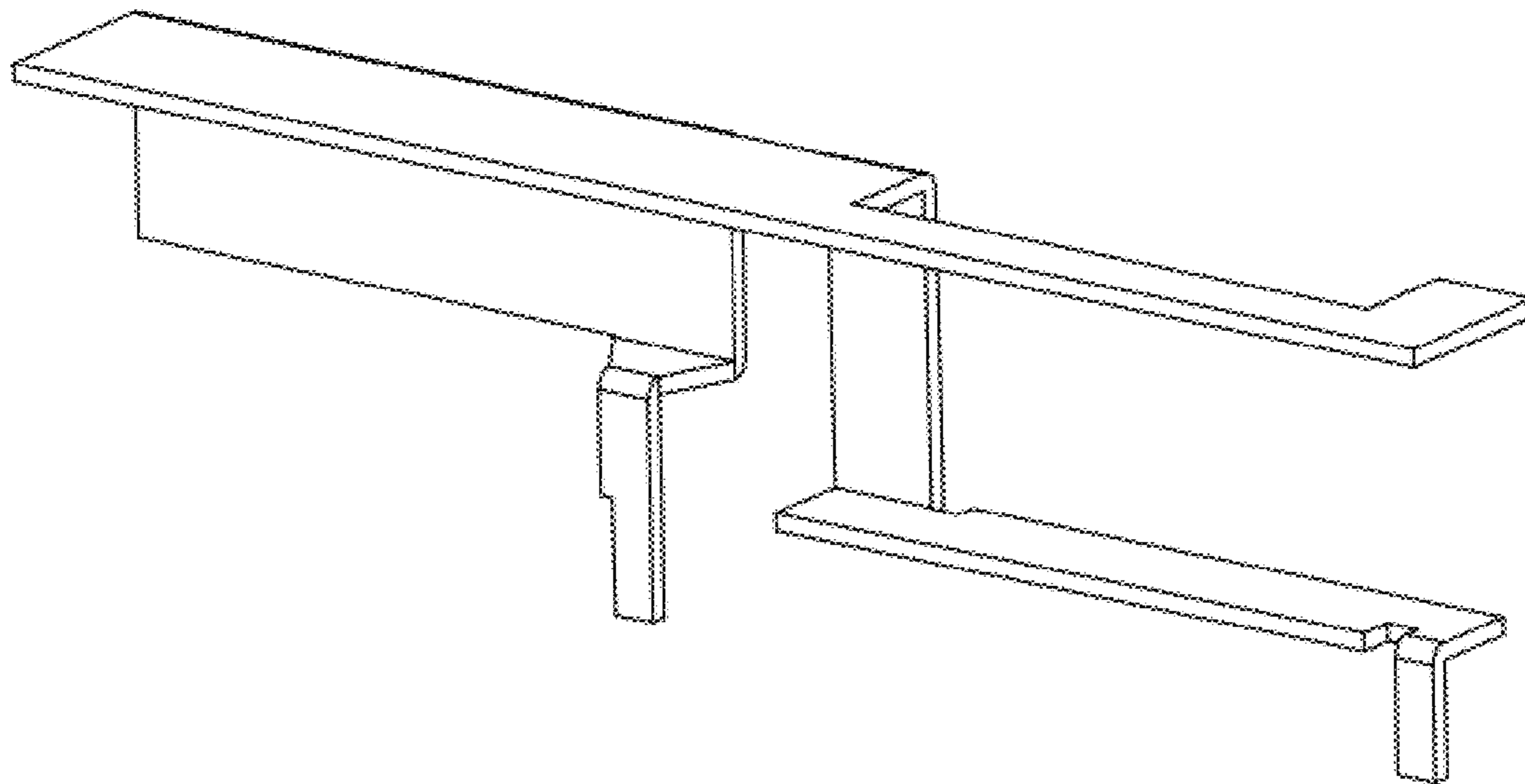
(57) **CLAIM**

The ornamental design for an antenna, as shown and described.

**DESCRIPTION**

FIG. 1 is a top perspective view of an antenna, showing our new design;  
FIG. 2 is a top plan view thereof;  
FIG. 3 is a front elevation view thereof;  
FIG. 4 is a bottom plan view thereof; and,  
FIG. 5 is a side elevation view thereof.

**1 Claim, 1 Drawing Sheet**



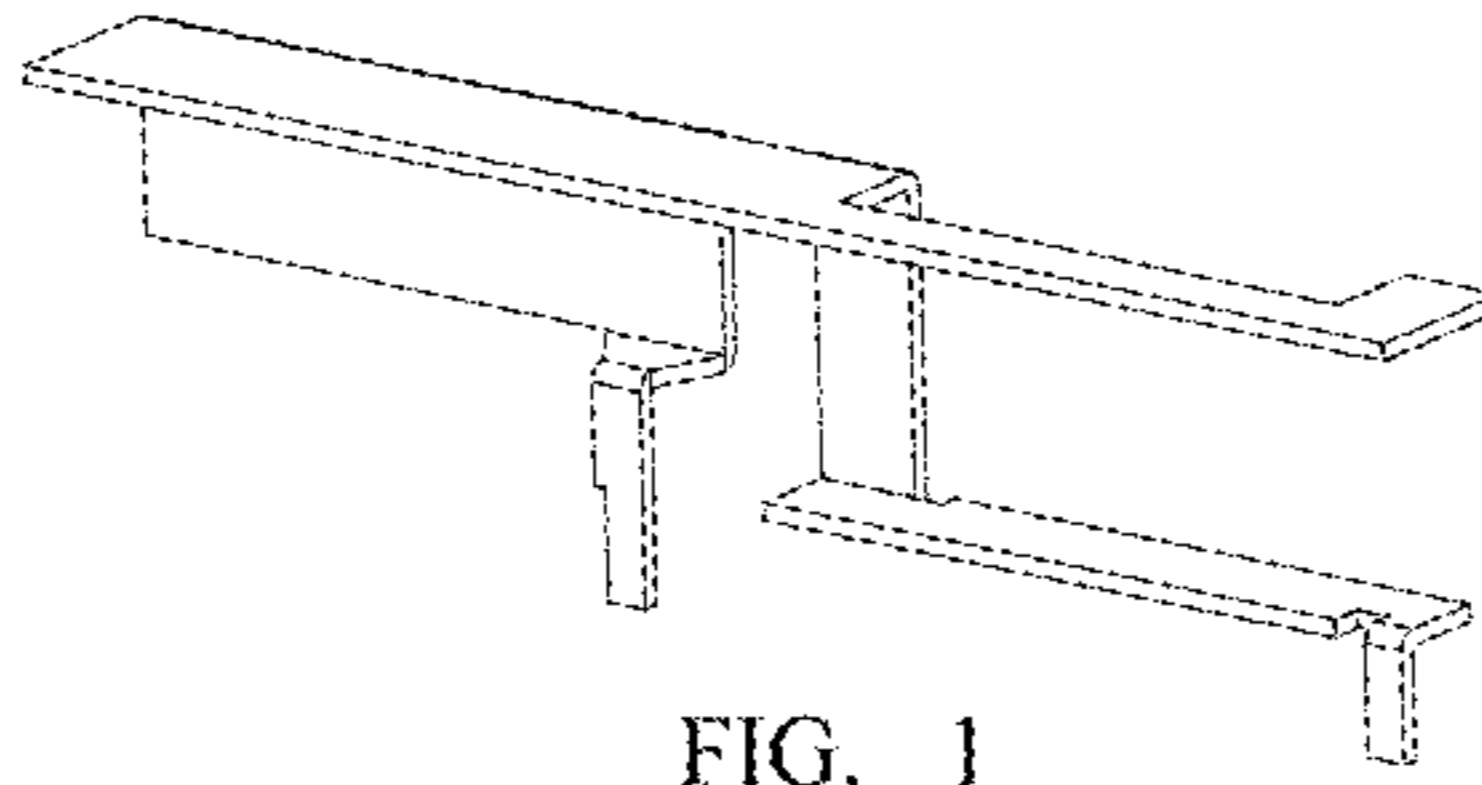


FIG. 1

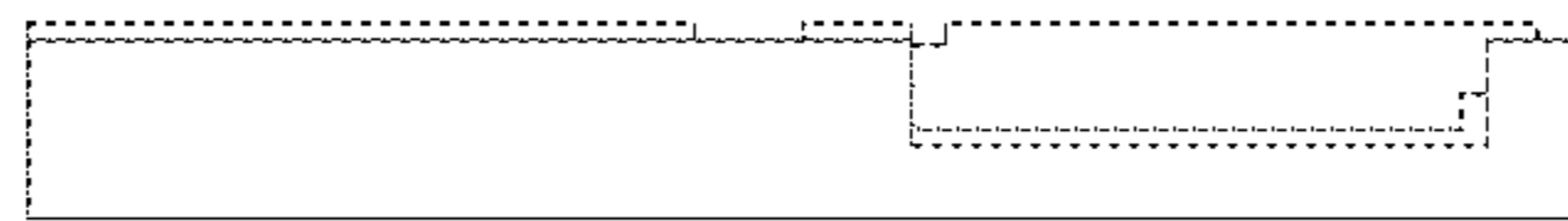


FIG. 2

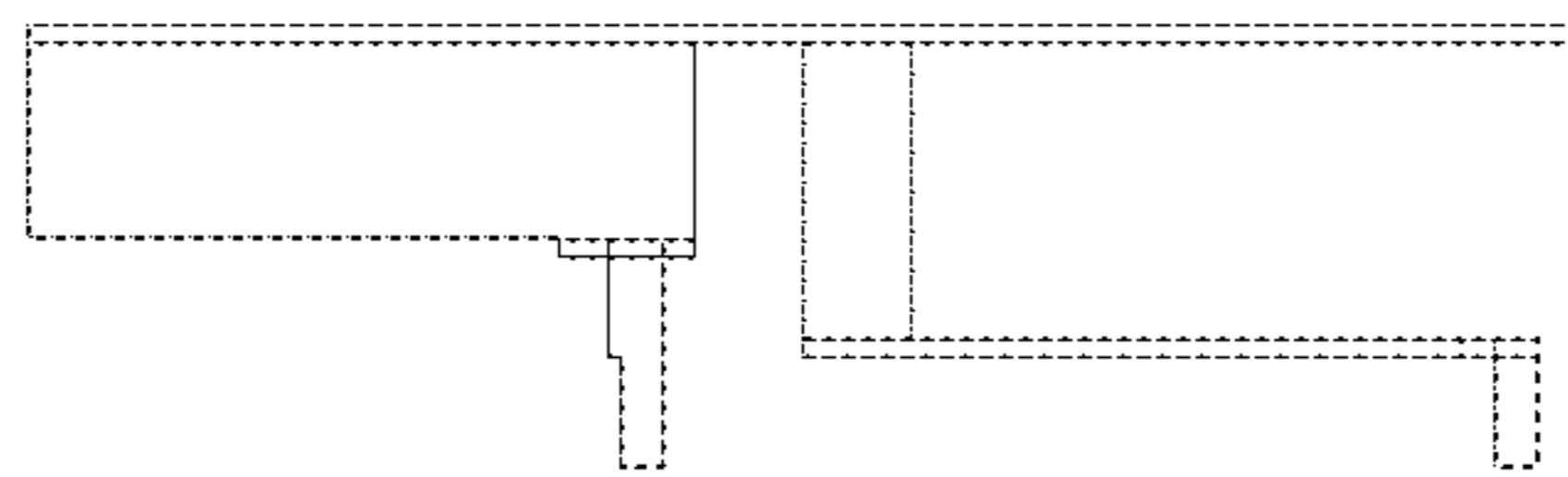


FIG. 3

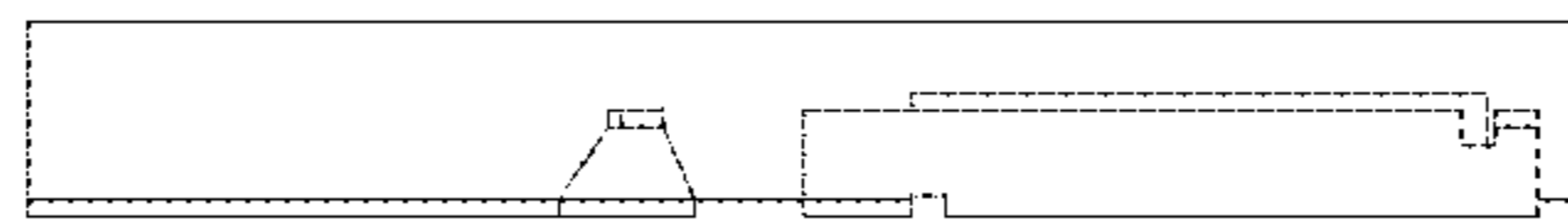


FIG. 4

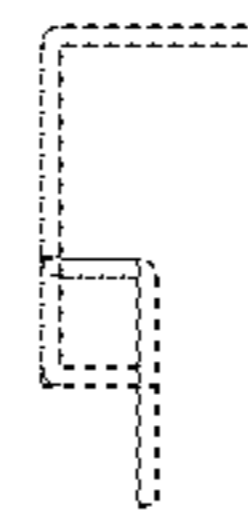


FIG. 5