



US00D848978S

(12) **United States Design Patent**
Min et al.

(10) **Patent No.:** **US D848,978 S**

(45) **Date of Patent:** **** May 21, 2019**

(54) **WIRELESS EARPHONE**

(71) Applicant: **LG ELECTRONICS INC.**, Seoul (KR)

(72) Inventors: **Jinki Min**, Seoul (KR); **Dongsoon Kim**, Seoul (KR); **Hyunchul Kim**, Seoul (KR); **Cheolwoong Shin**, Seoul (KR)

(73) Assignee: **LG ELECTRONICS INC.**, Seoul (KR)

(**) Term: **15 Years**

(21) Appl. No.: **35/504,760**

(22) Filed: **Oct. 16, 2017**

(80) **Hague Agreement Data**

Int. Filing Date: **Oct. 16, 2017**

Int. Reg. No.: **DM/098399**

Int. Reg. Date: **Oct. 16, 2017**

Int. Reg. Pub. Date: **Apr. 20, 2018**

(30) **Foreign Application Priority Data**

Sep. 26, 2017 (KR) 30-2017-0045147

(51) **LOC (11) Cl.** **14-01**

(52) **U.S. Cl.**
USPC **D14/223**

(58) **Field of Classification Search**

USPC D14/204, 205, 206, 223, 249, 433, 192,
D14/172; D24/173, 174, 106; D29/112;
D23/223

CPC H04R 25/00; H04R 25/02; H04R 1/10;
H04R 2420/07; H04R 2430/01

See application file for complete search history.

(56) **References Cited**

U.S. PATENT DOCUMENTS

D179,150 S * 11/1956 Norris D14/192
D474,178 S * 5/2003 Eroma D14/205

D504,419 S * 4/2005 Bey D14/223
D506,462 S * 6/2005 Han D14/205
D510,085 S * 9/2005 Suzuki D14/223
D512,984 S * 12/2005 Ham D14/205
D541,787 S * 5/2007 Ma D14/205
D563,383 S * 3/2008 Liang D14/205

(Continued)

FOREIGN PATENT DOCUMENTS

WO D098399-001 * 4/2018

OTHER PUBLICATIONS

Are bone conduction headphones good enough yet?, announced Oct. 24, 2016 [online], [retrieved Jan. 29, 2019]. Available from Internet, URL: <<https://www.theverge.com/2016/10/24/13383616/bone-conduction-headphones-best-pair-aftershokz>> (Year: 2016).*

Primary Examiner — Barbara Fox

Assistant Examiner — Dana K Weiland

(74) *Attorney, Agent, or Firm* — Birch, Stewart, Kolasch & Birch, LLP

(57) **CLAIM**

The ornamental design for a wireless earphone, as shown and described.

DESCRIPTION

1. Wireless earphone

1.1 : Perspective

1.2 : Front

1.3 : Back

1.4 : Left

1.5 : Right

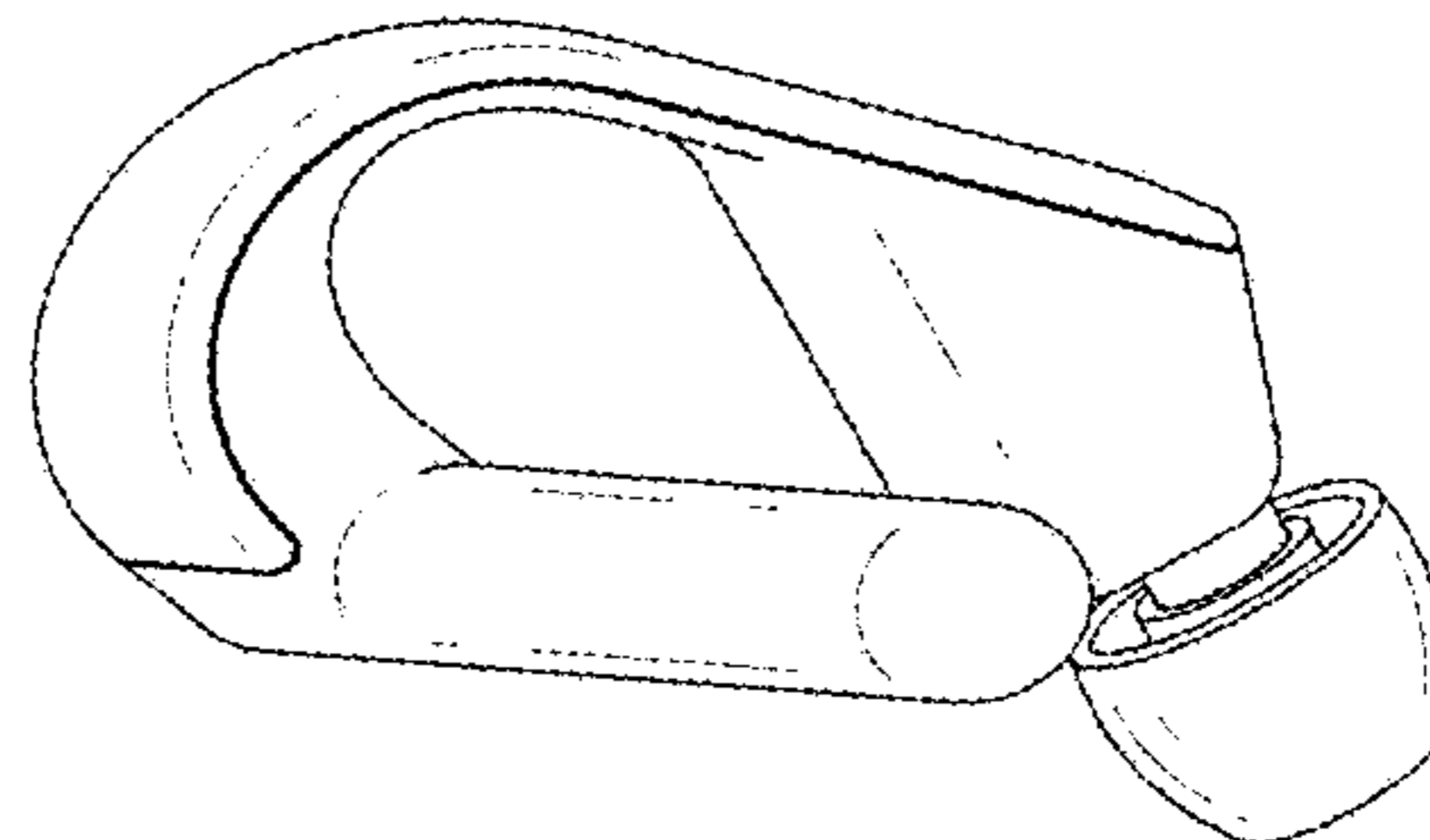
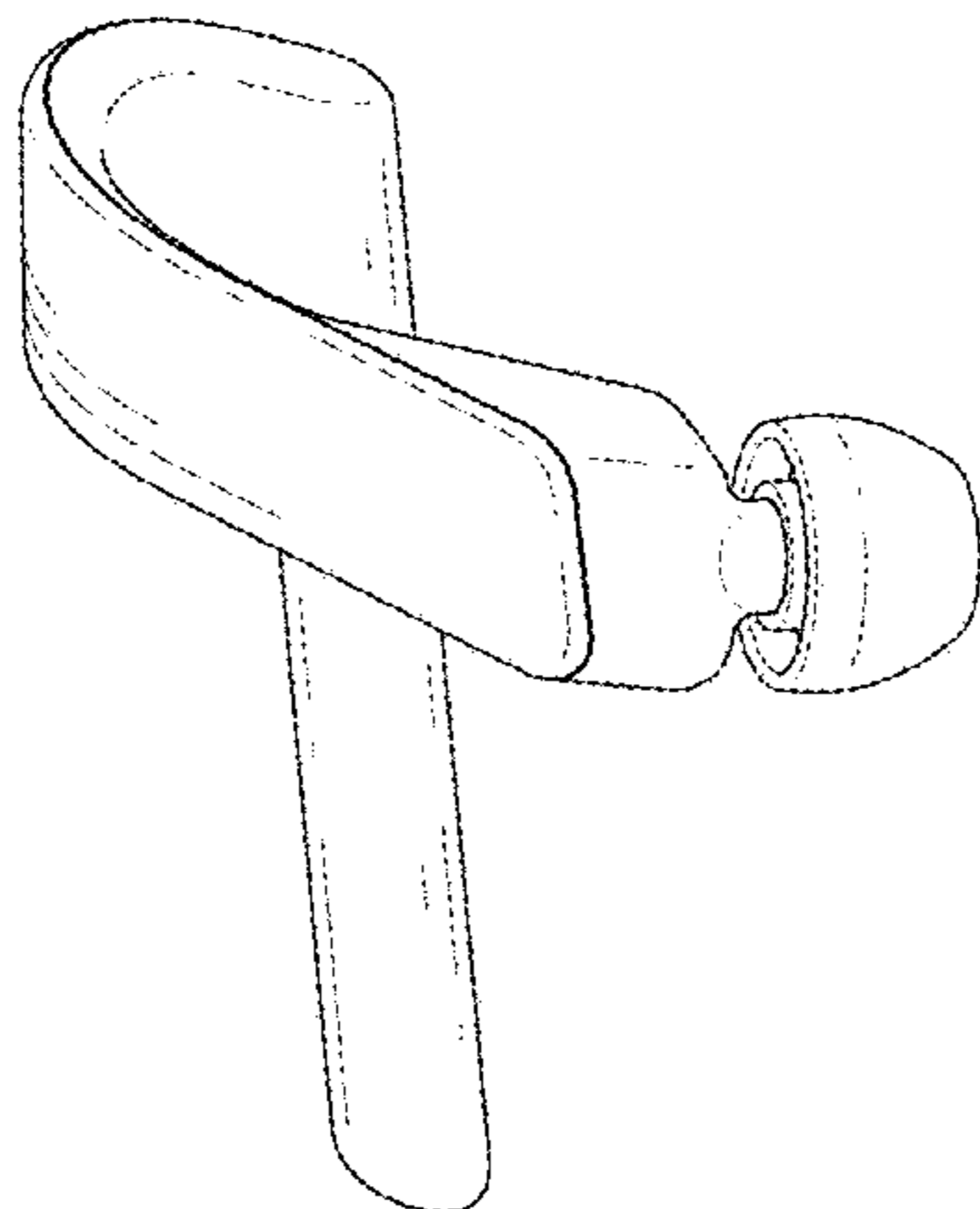
1.6 : Top

1.7 : Bottom

1.8 : Reference

Reproduction 1.8 is a reference view showing a state of use in which the wireless earphone is inserted into an ear. The broken line showing of the ear in Reproduction 1.8 forms no part of the claimed design.

1 Claim, 8 Drawing Sheets



(56)

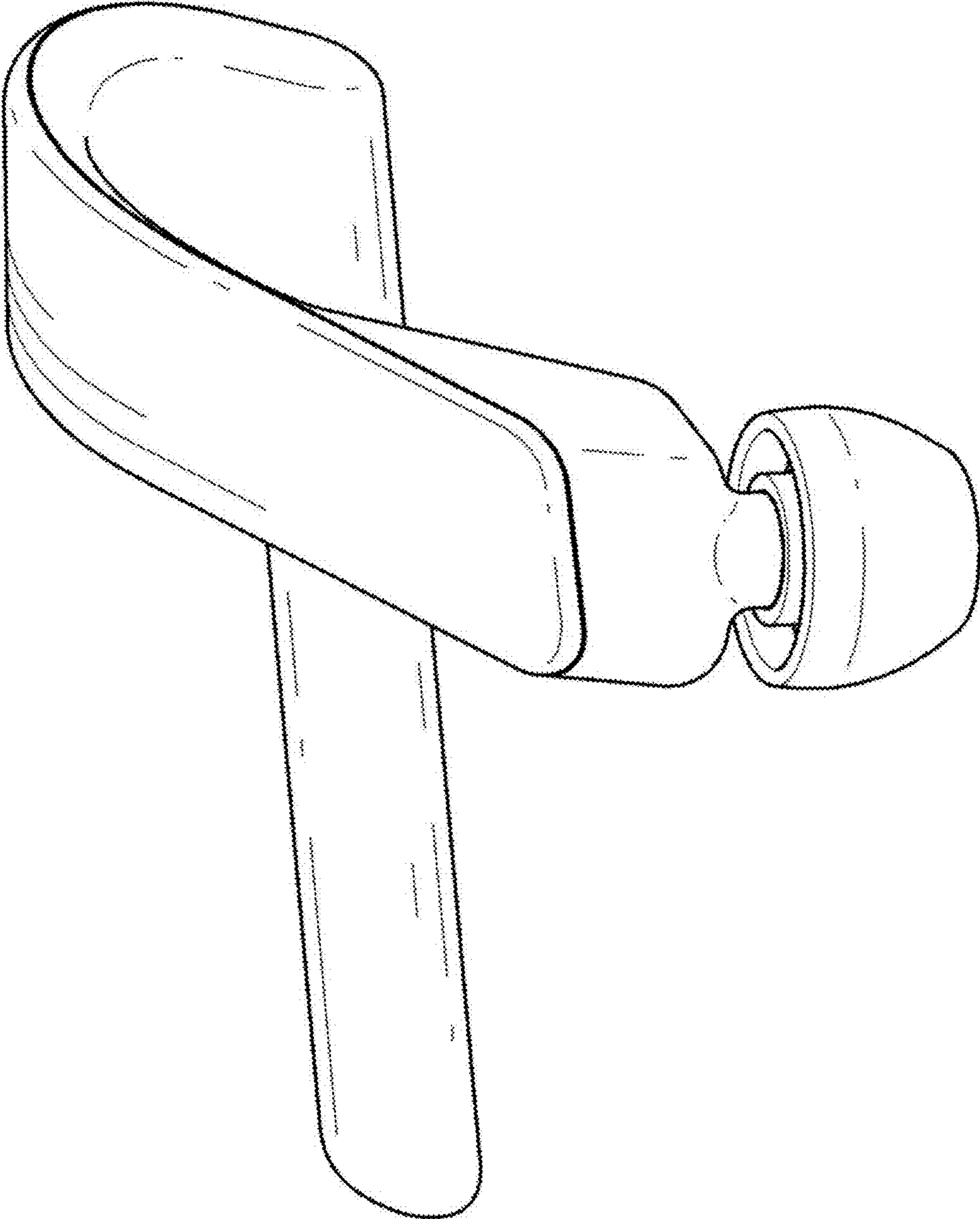
References Cited

U.S. PATENT DOCUMENTS

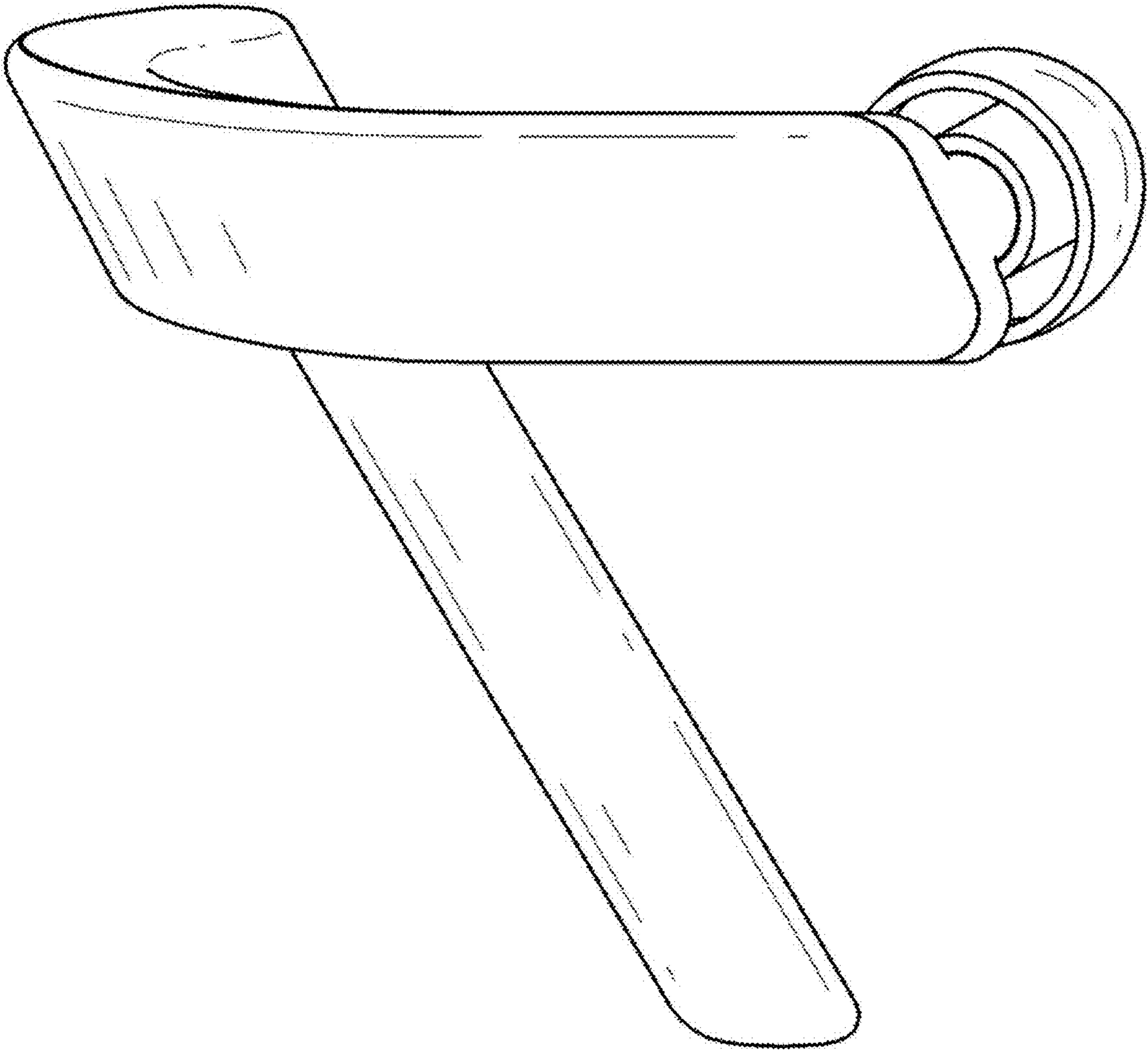
D625,297 S * 10/2010 Tseng D14/223
D629,397 S * 12/2010 Hensen H04R 5/033
D14/223
D662,913 S * 7/2012 Birger D14/206
D711,851 S * 8/2014 Houghton D14/206
D732,509 S * 6/2015 Brunner H04R 25/00
D14/223
D753,626 S * 4/2016 Tran D14/205
D755,159 S * 5/2016 Birger D14/206
D784,290 S * 4/2017 Paterson D14/205
D809,486 S * 2/2018 Arimoto D14/223
D830,337 S * 10/2018 Yan D14/206
2013/0322646 A1 * 12/2013 Davie H04R 1/1041
381/74

* cited by examiner

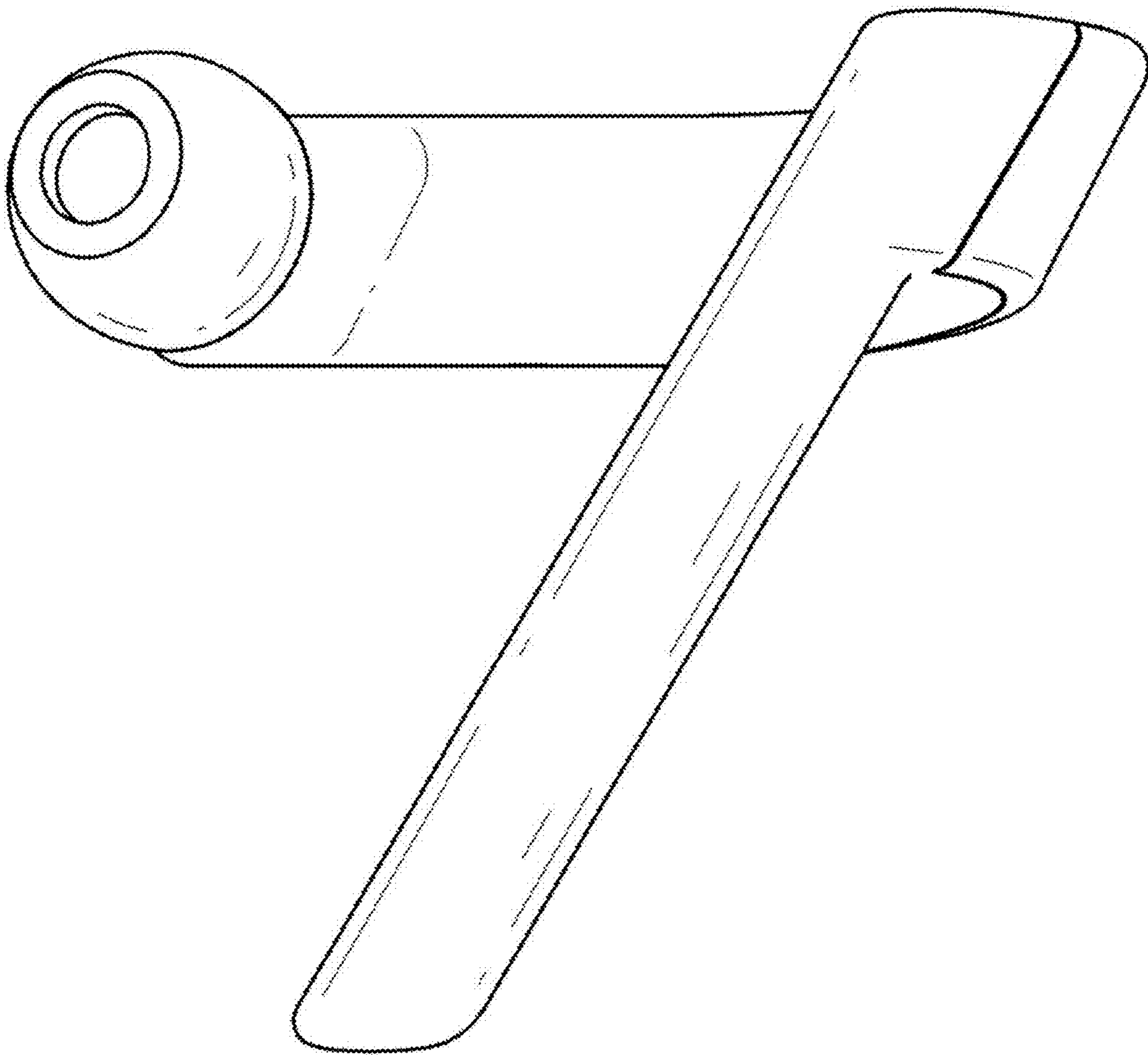
1.1



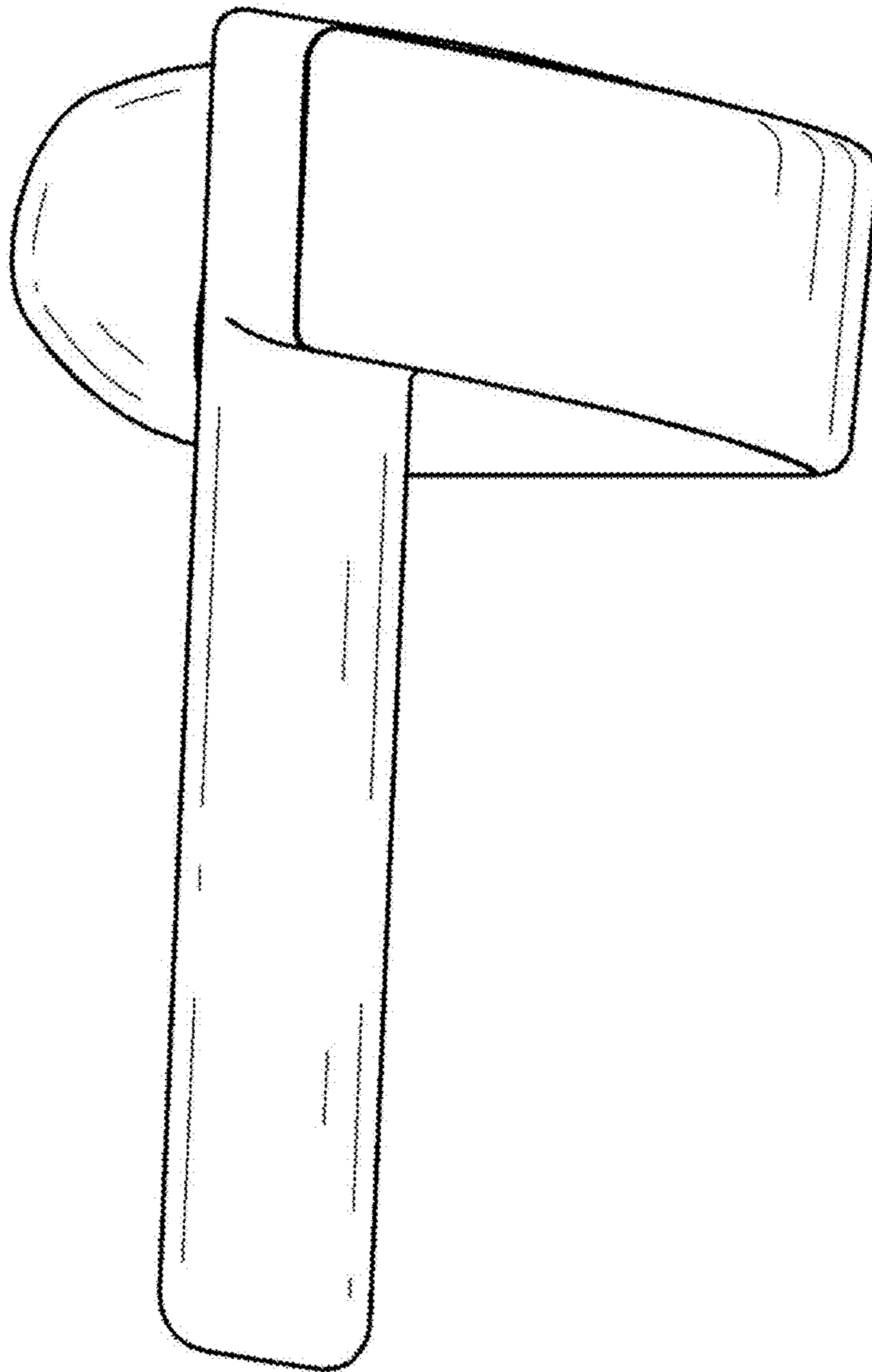
1.2



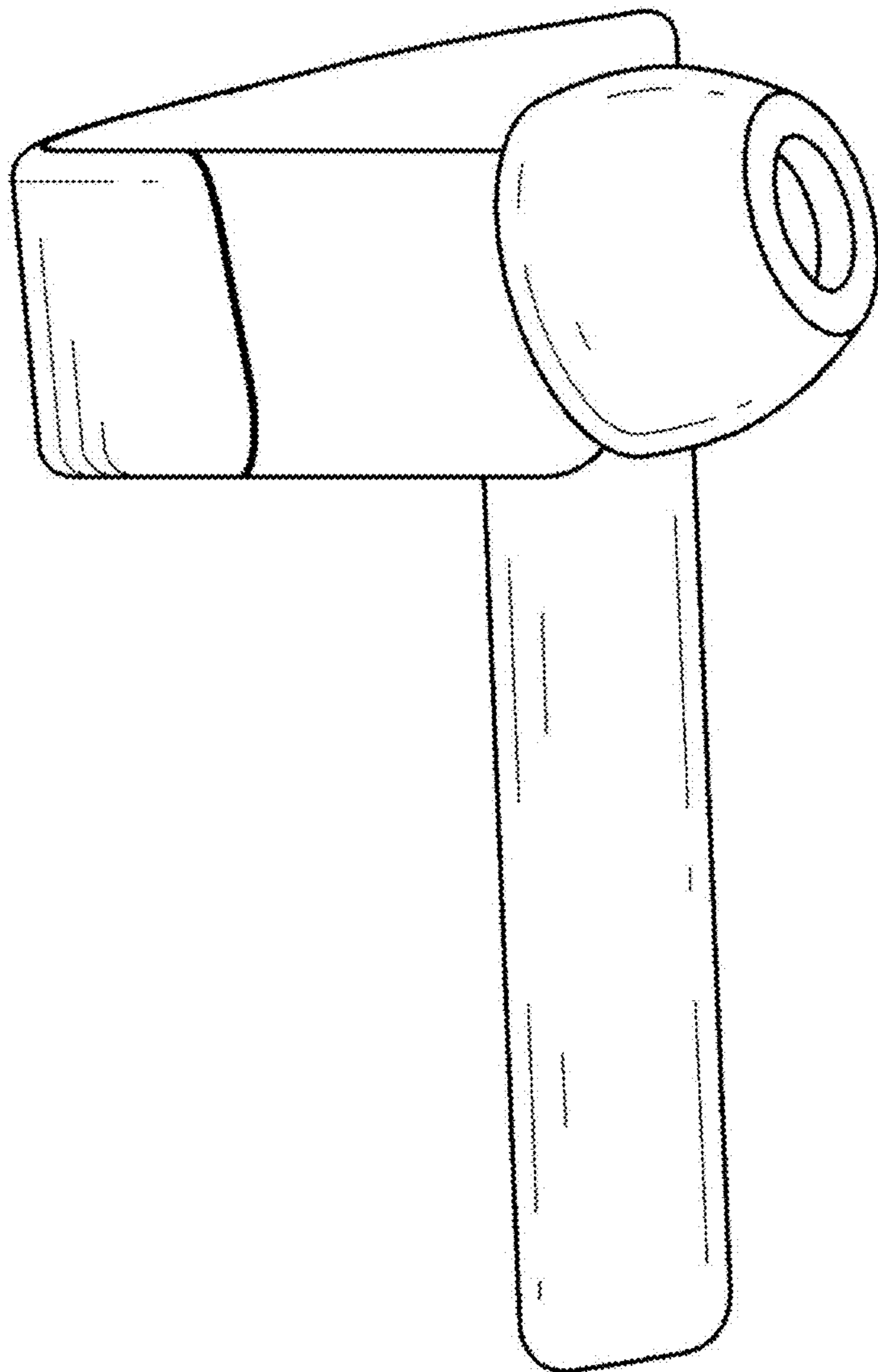
1.3



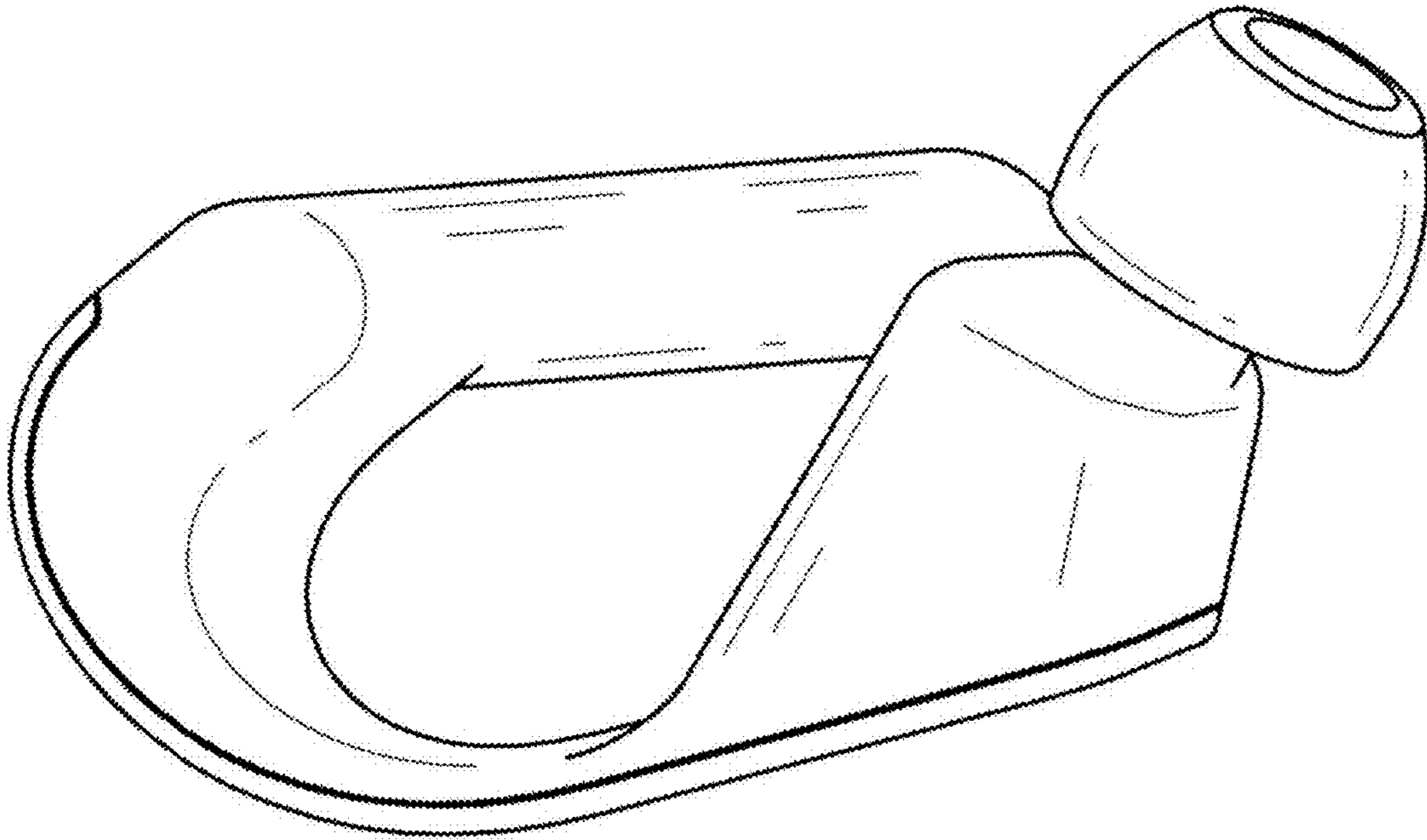
1.4



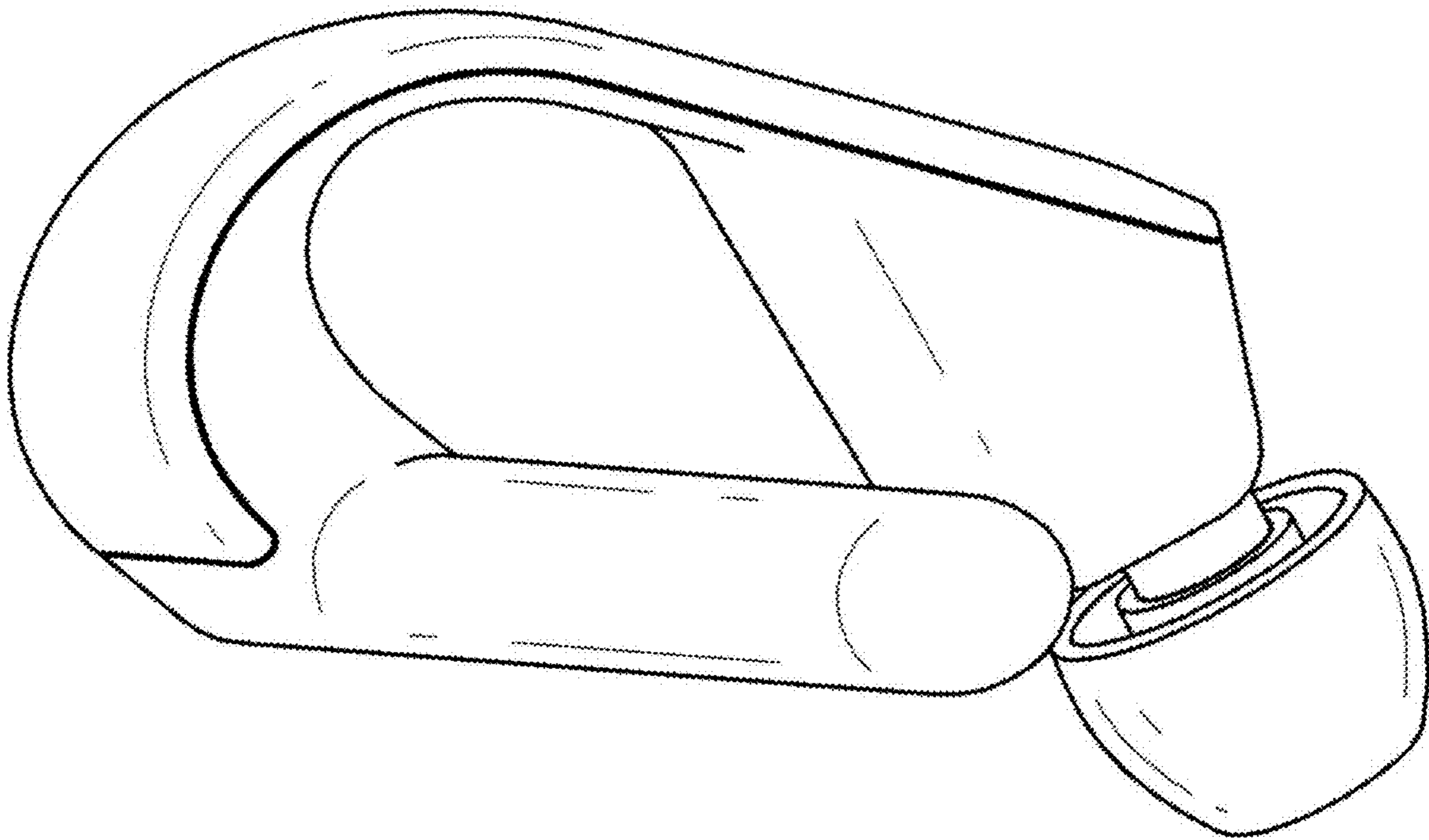
1.5



1.6



1.7



1.8

