



US00D848975S

(12) **United States Design Patent**
Kong

(10) **Patent No.:** **US D848,975 S**

(45) **Date of Patent:** **** May 21, 2019**

(54) **SPEAKER SYSTEM**

(71) Applicant: **Lingbin Kong**, Brookhaven, GA (US)

(72) Inventor: **Lingbin Kong**, Brookhaven, GA (US)

(**) Term: **15 Years**

(21) Appl. No.: **29/594,559**

(22) Filed: **Feb. 21, 2017**

(51) **LOC (11) Cl.** **14-03**

(52) **U.S. Cl.**

USPC **D14/215**; D14/204

(58) **Field of Classification Search**

USPC D14/167, 168, 170–172, 188, 194–196,
D14/204, 209.1, 210–216, 219, 221, 222,
D14/224, 239, 496

CPC B60R 11/0217; G06F 1/1688; G10K 9/22;
G10K 11/004; H03F 1/327; H04M 1/03;
H04M 1/035; H04N 5/642; H04N
21/4852; H04R 1/02; H04R 1/06; H04R
1/021; H04R 1/025; H04R 1/026; H04R
1/028; H04R 1/105; H04R 1/323; H04R
1/403; H04R 1/2803; H04R 1/2834;
H04R 5/02; H04R 7/20; H04R 9/06;
H04R 9/025; H04R 2201/021; H04R
2400/00; H04R 2400/07; H04R 2499/11;
H04R 2499/13; H04R 249/15; H04S
3/00; H04S 7/30

See application file for complete search history.

(56) **References Cited**

U.S. PATENT DOCUMENTS

D531,615 S *	11/2006	Lee	D14/188
D566,730 S *	4/2008	Lee	D14/188
D570,331 S *	6/2008	Lee	D14/188
D582,392 S *	12/2008	Pauschitz	D14/215
D651,584 S *	1/2012	Massee	D14/159
D726,154 S *	4/2015	Chang	D14/215
D726,687 S *	4/2015	Minarik	D14/192
D797,703 S *	9/2017	Boyd	D14/216

* cited by examiner

Primary Examiner — Keli L Hill

(74) *Attorney, Agent, or Firm* — Bryan W. Bockhop;
Bockhop Intellectual Property Law, LLC

(57) **CLAIM**

The ornamental design for a speaker system, as shown and described.

DESCRIPTION

FIG. 1 is a front right side perspective view

FIG. 2 is a front plan view.

FIG. 3 is a rear plan view.

FIG. 4 is a left side view.

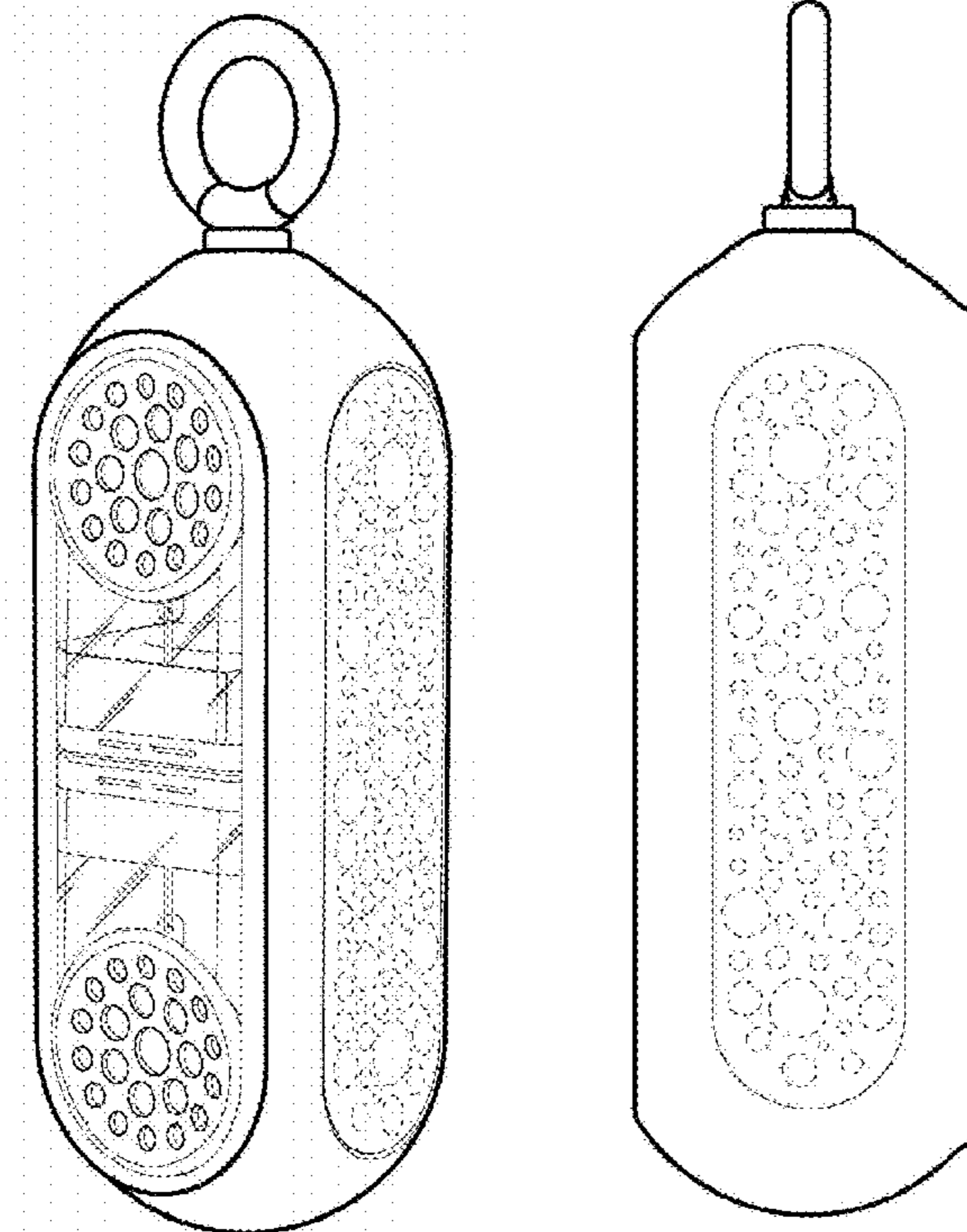
FIG. 5 is a right side view.

FIG. 6 is a top view; and,

FIG. 7 is a bottom view.

Broken lines shown are for the purpose of illustrating portions of the speaker system that form no part of the claim.

1 Claim, 2 Drawing Sheets



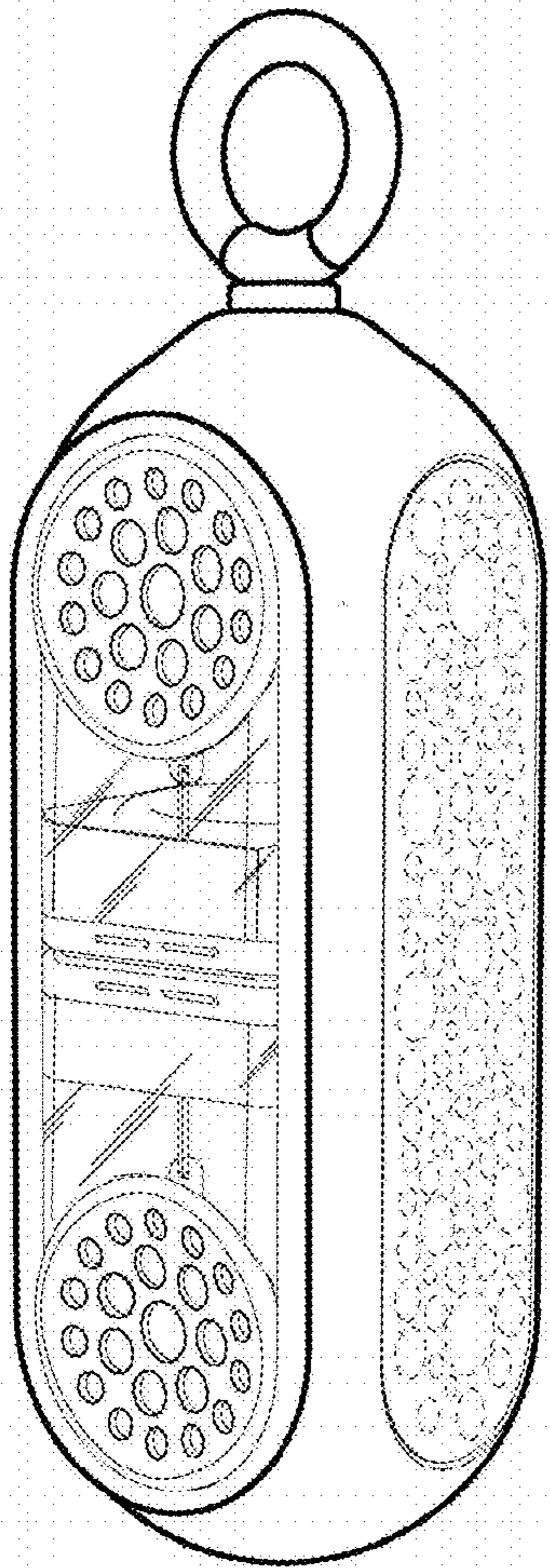


FIG. 1

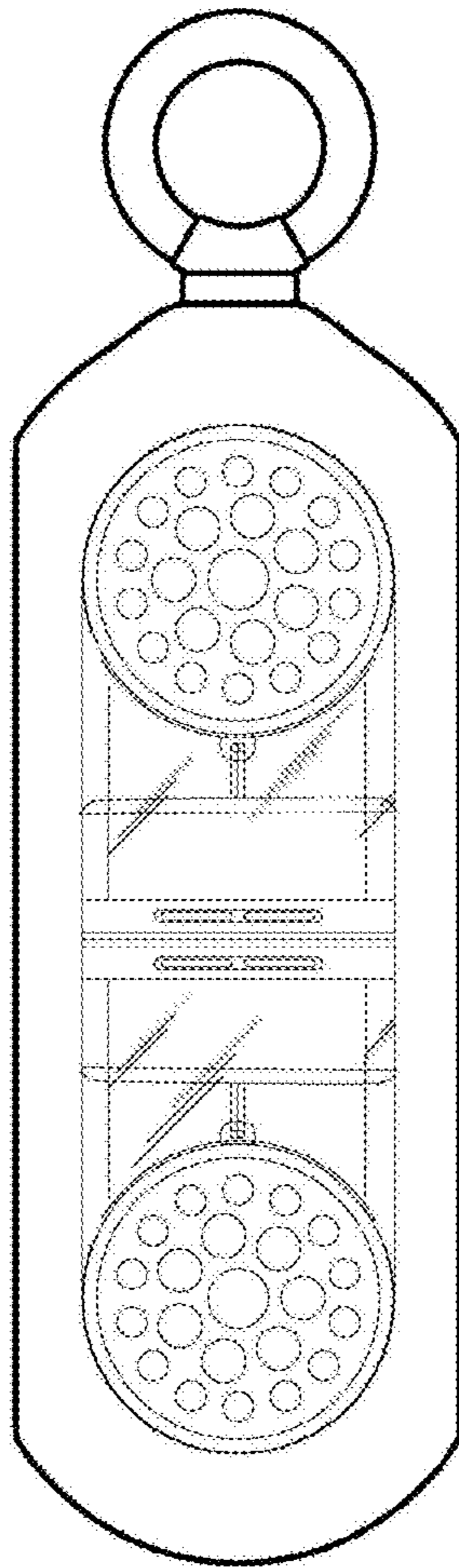


FIG. 2

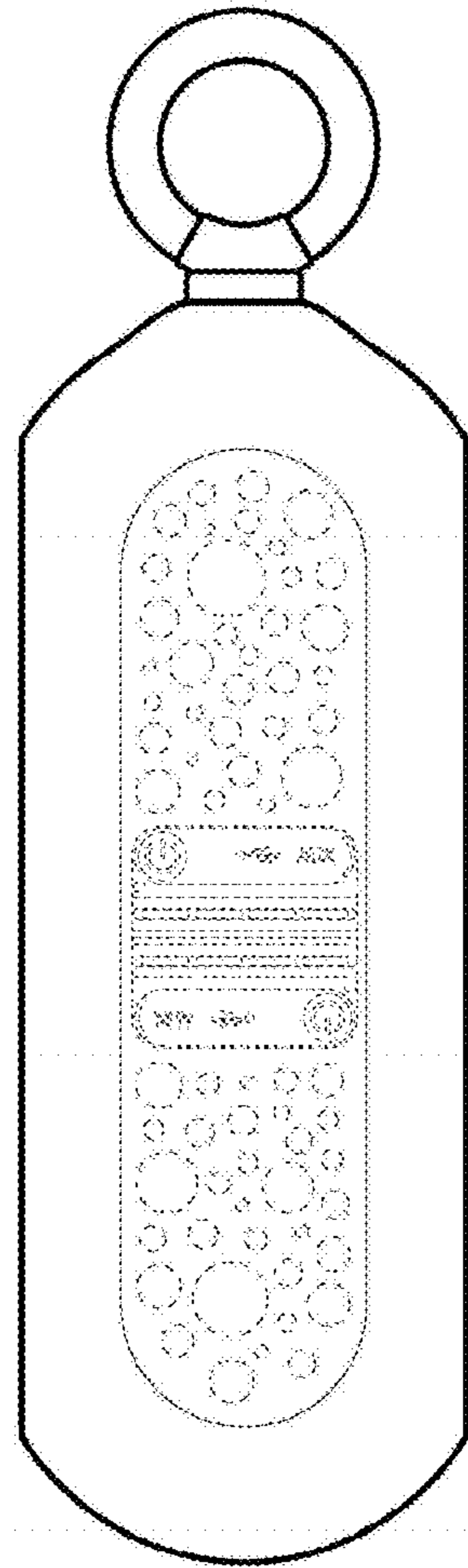


FIG. 3

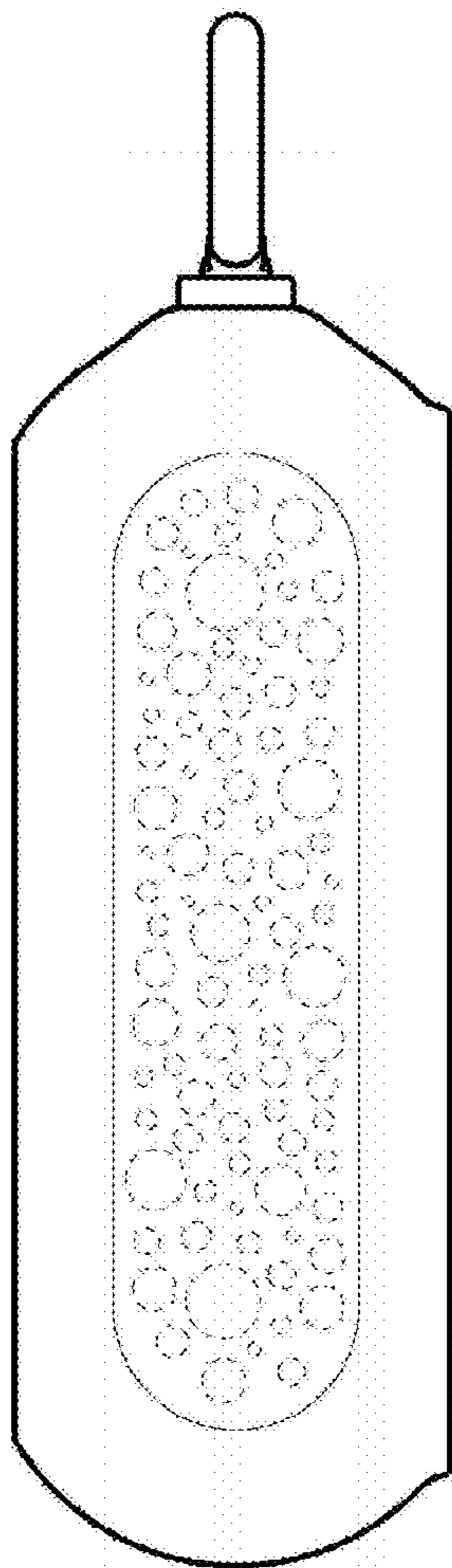


FIG. 4

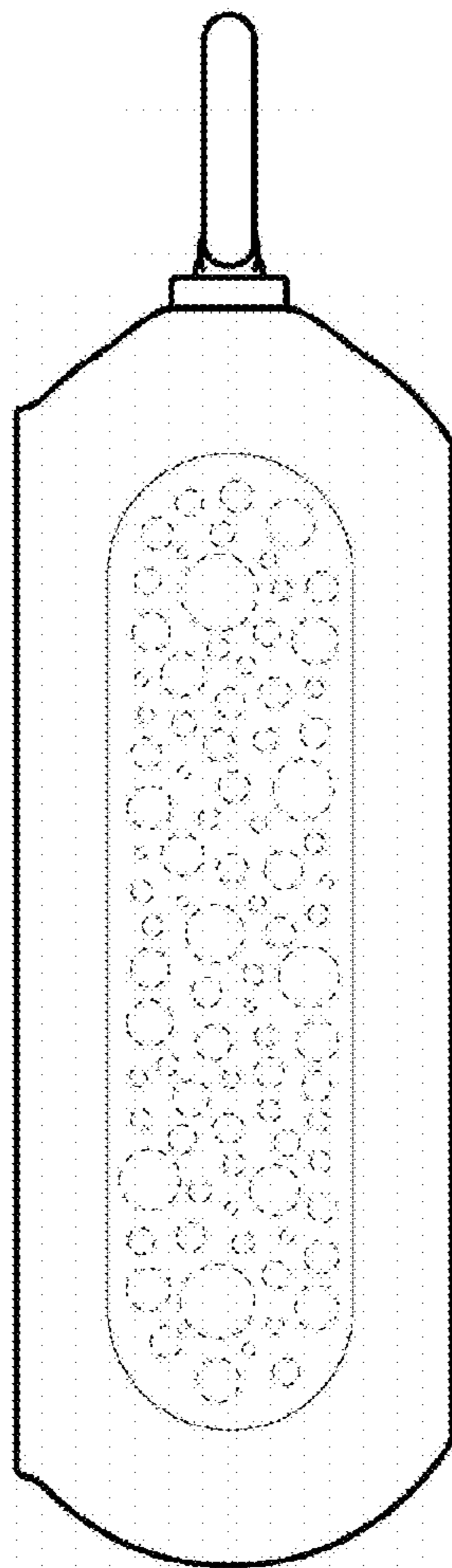


FIG. 5

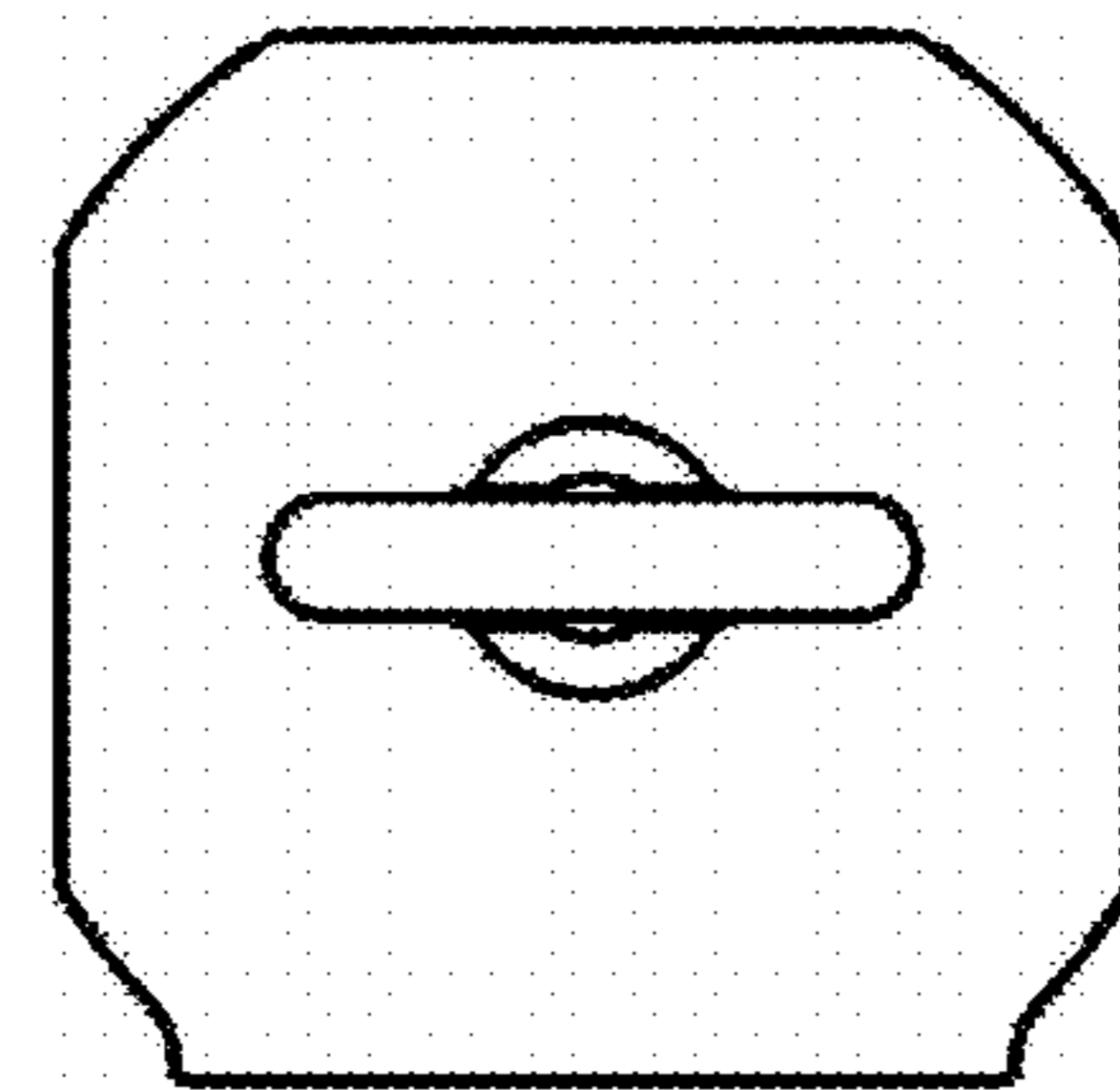


FIG. 6

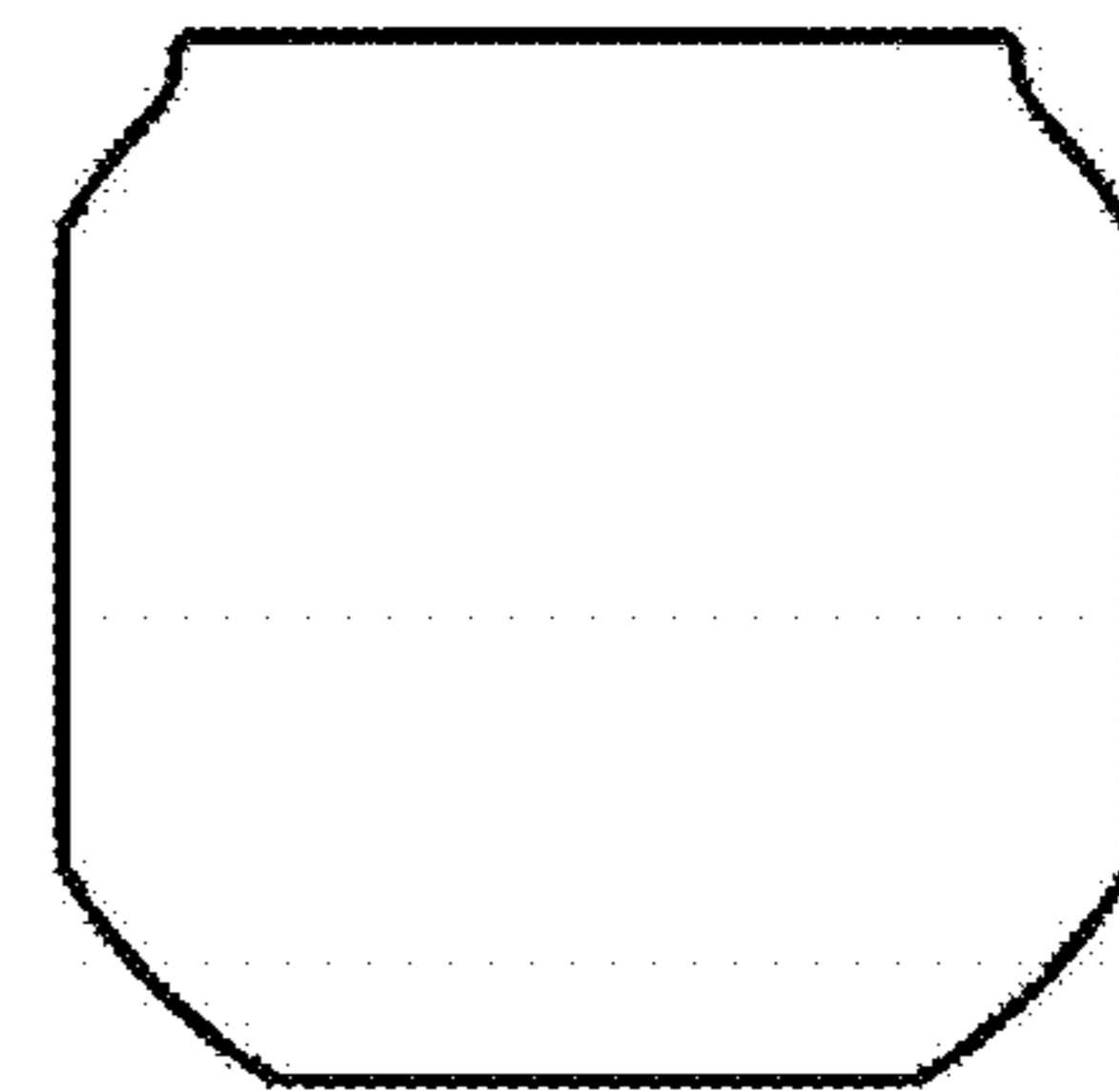


FIG. 7