



US00D848972S

(12) **United States Design Patent** (10) **Patent No.:** **US D848,972 S**
Aikawa (45) **Date of Patent:** **** May 21, 2019**

(54) **SPEAKER**

(71) Applicant: **Panasonic Intellectual Property Management Co., Ltd.**, Osaka-shi, Osaka (JP)

(72) Inventor: **Toshiharu Aikawa**, Fukuoka (JP)

(73) Assignee: **Panasonic Intellectual Property Management Co., Ltd.**, Osaka (JP)

(**) Term: **15 Years**

(21) Appl. No.: **29/618,119**

(22) Filed: **Sep. 19, 2017**

(30) **Foreign Application Priority Data**

Mar. 22, 2017 (JP) 2017-005717

(51) **LOC (11) Cl.** **14-01**

(52) **U.S. Cl.**
USPC **D14/204**

(58) **Field of Classification Search**
USPC D14/188, 203.1, 203.3, 204, 210–216,
D14/219, 221, 356, 363, 365–368, 496;
181/143, 144, 148, 153, 157, 198, 199;
369/6–12; 381/300–303, 361–364,
381/386–388

CPC H04R 1/02; H04R 1/021; H04R 1/023;
H04R 5/00; H04R 9/06; H04R 2420/07
See application file for complete search history.

(56) **References Cited**

U.S. PATENT DOCUMENTS

D266,243 S 9/1982 Gollehon
D500,025 S * 12/2004 Vincenot D14/204
D500,306 S * 12/2004 Noselli D14/204
D637,580 S * 5/2011 Aranda, Jr. D14/214
D671,913 S 12/2012 Warden et al.
D687,814 S 8/2013 Lum et al.
D692,863 S * 11/2013 Givre D14/214

D727,874 S 4/2015 Christner
D736,179 S * 8/2015 Speck D14/210
D752,015 S * 3/2016 Spillmann D14/204
D752,549 S * 3/2016 Jakowski D14/214
D752,557 S * 3/2016 Jakowski D14/221

OTHER PUBLICATIONS

“Products-Karai-L-Acoustics”, <http://www.l-acoustics.com/products-karai-102.html>, printed from the internet on Aug. 25, 2017, 1 page.

* cited by examiner

Primary Examiner — Derrick E Holland

Assistant Examiner — Janice Patyk

(74) *Attorney, Agent, or Firm* — Brinks Gilson & Lione

(57) **CLAIM**

I claim the ornamental design for a speaker, as shown and described.

DESCRIPTION

FIG. 1 is a top, front perspective view of a speaker of the present invention;

FIG. 2 is a front view thereof;

FIG. 3 is a rear view thereof;

FIG. 4 is a side view thereof;

FIG. 5 is an opposite side view thereof;

FIG. 6 is a top view thereof;

FIG. 7 is a bottom view thereof;

FIG. 8 is a cross-sectional view thereof, taken along line 8-8 in FIG. 2; and,

FIG. 9 is a cross-sectional view thereof, taken along line 9-9 in FIG. 2.

The broken lines in the figures illustrate the portions of the design that form no part of the claimed design. The dot-dash lines immediately adjacent to the claims areas in the views represent the boundaries of the design and form no part thereof. None of the broken lines form any part of the claimed design.

1 Claim, 9 Drawing Sheets

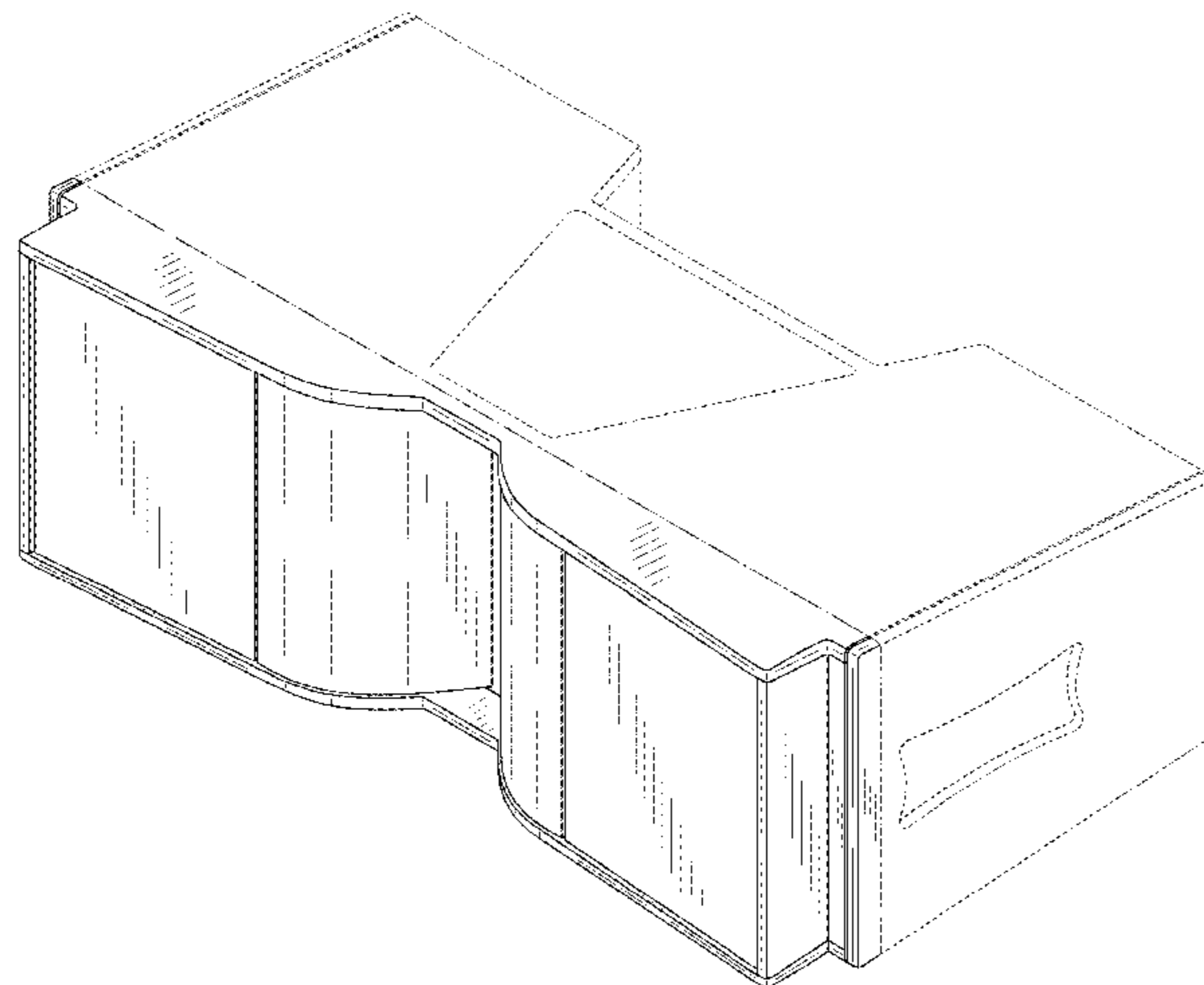


FIG. 1

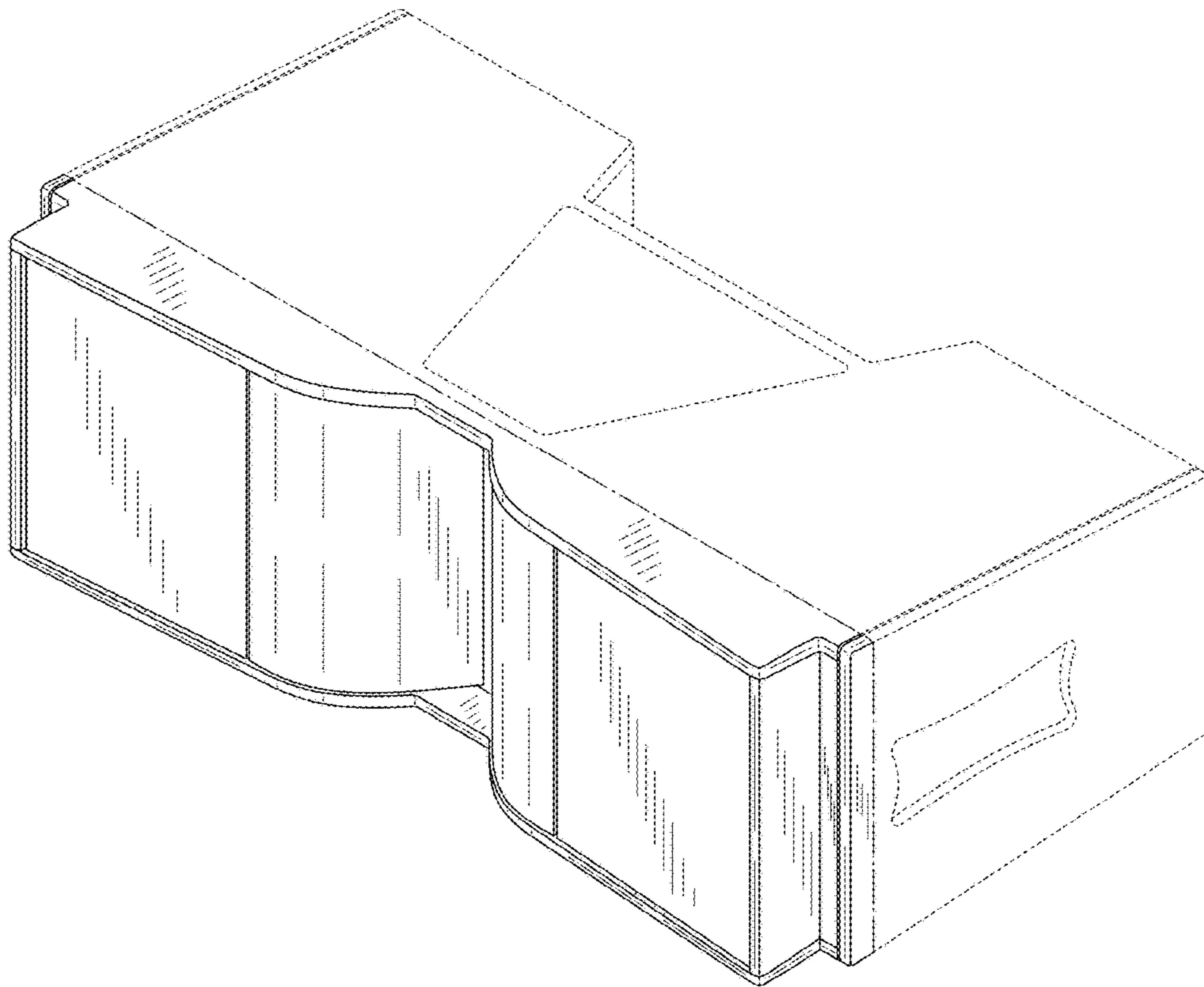


FIG. 2

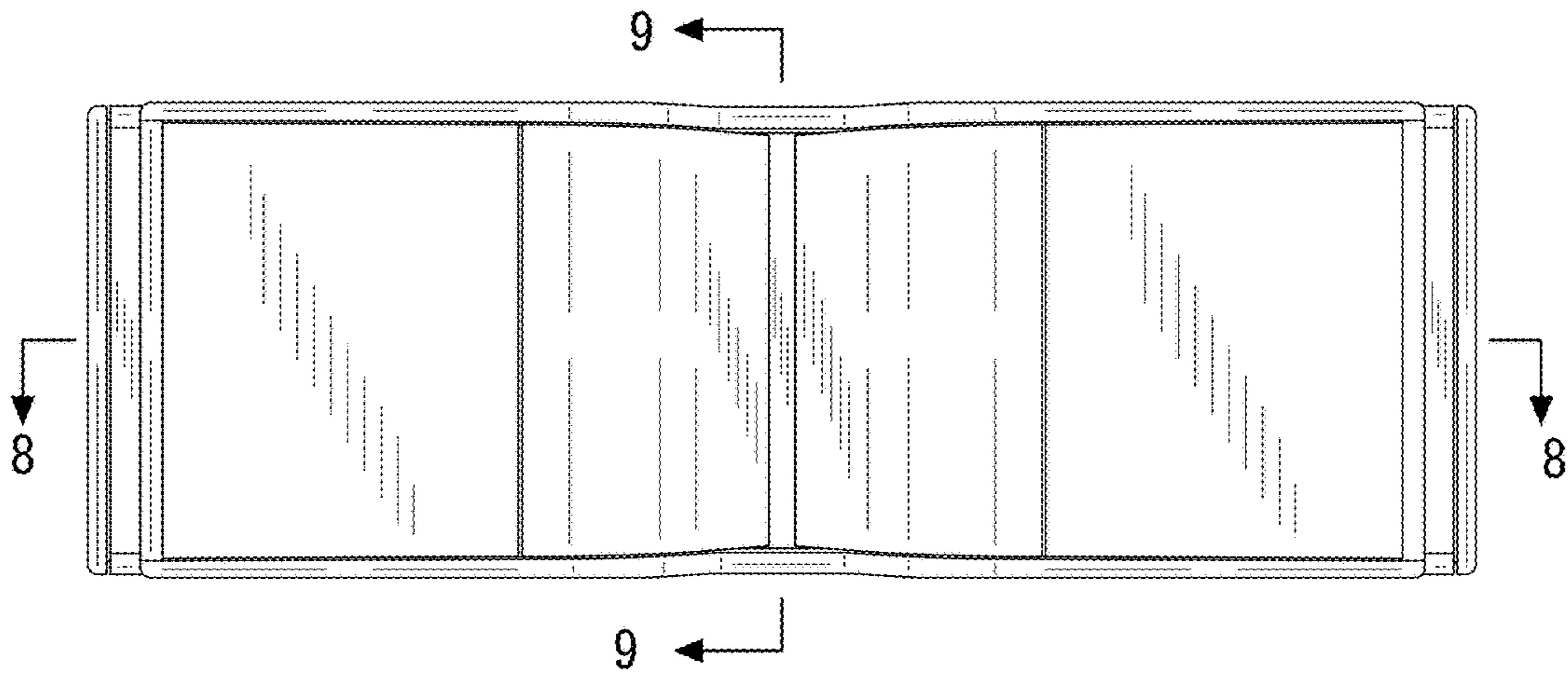


FIG. 3

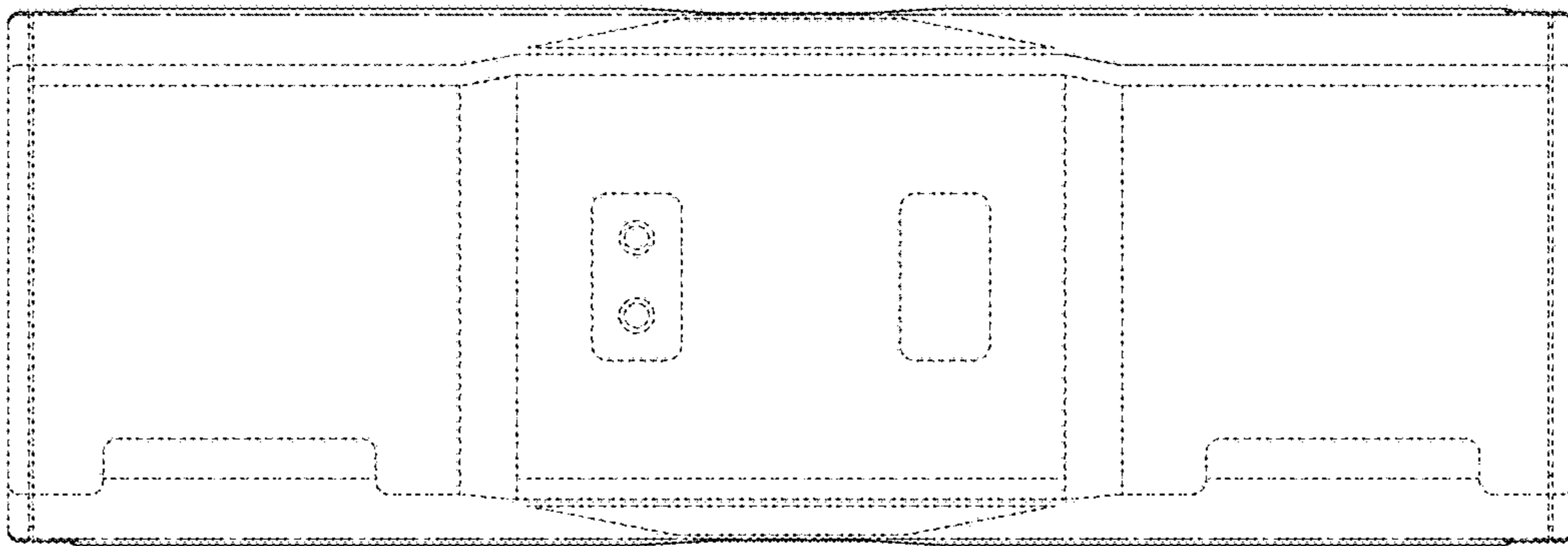


FIG. 4

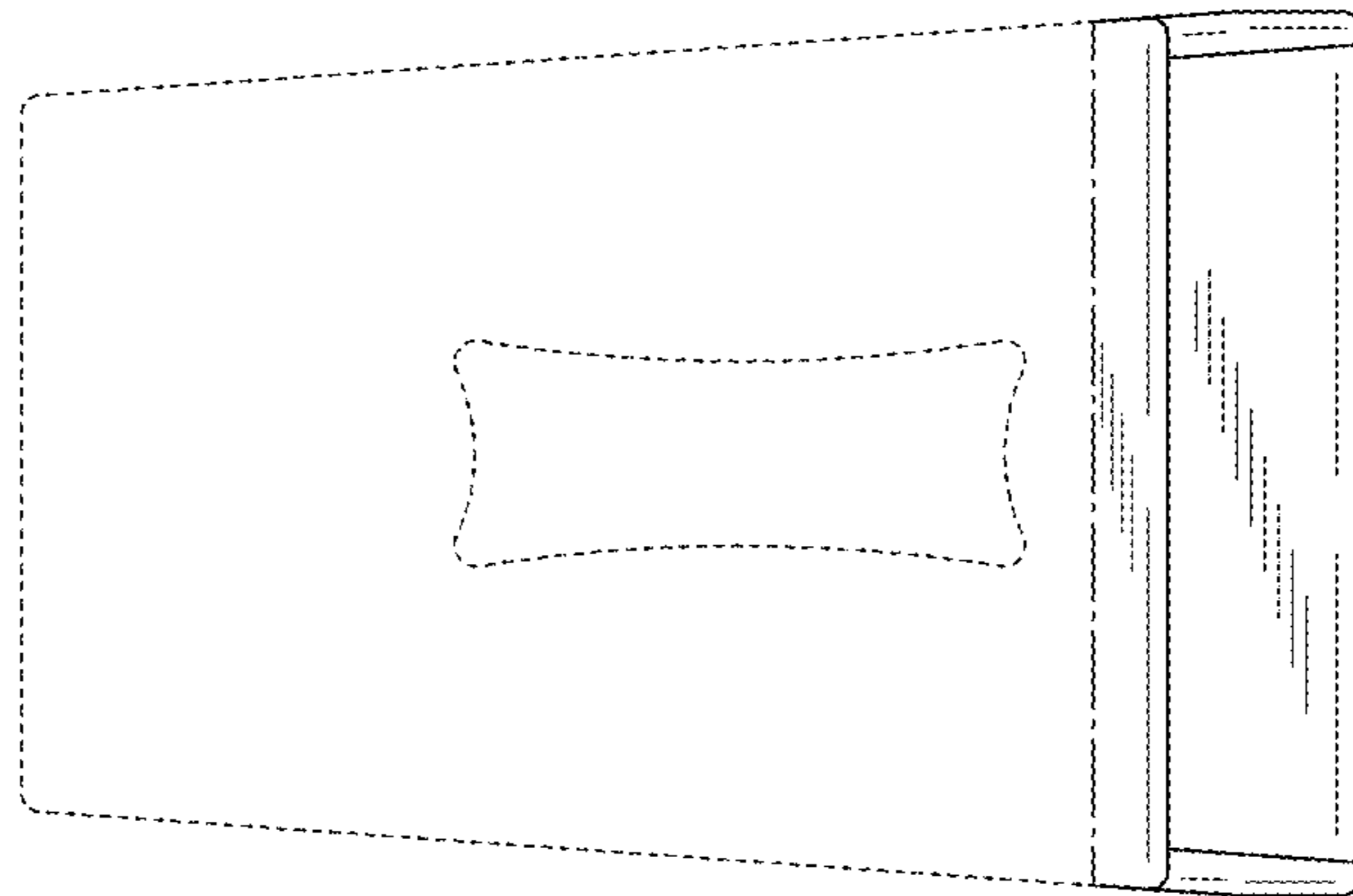


FIG. 5

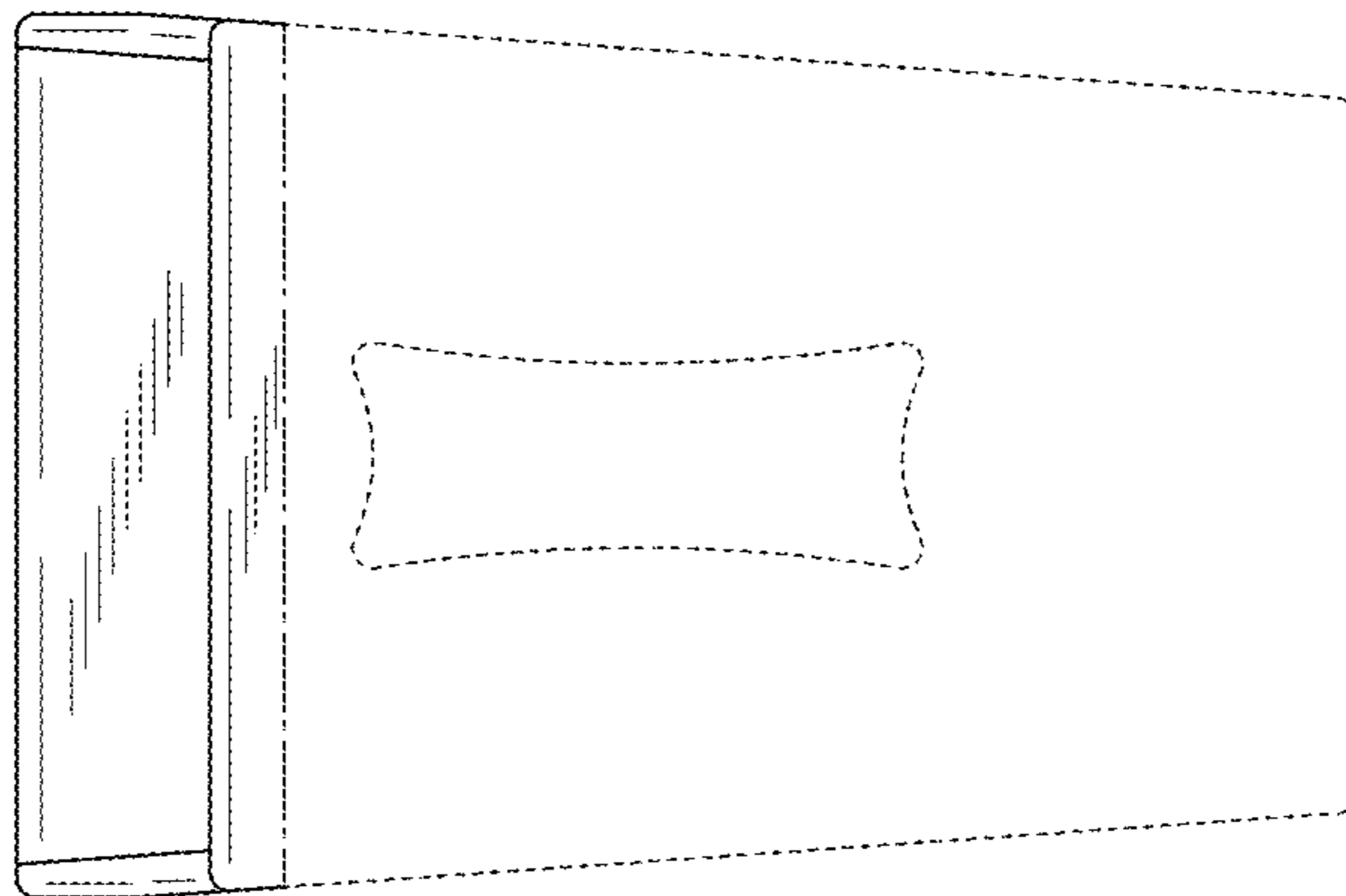


FIG. 6

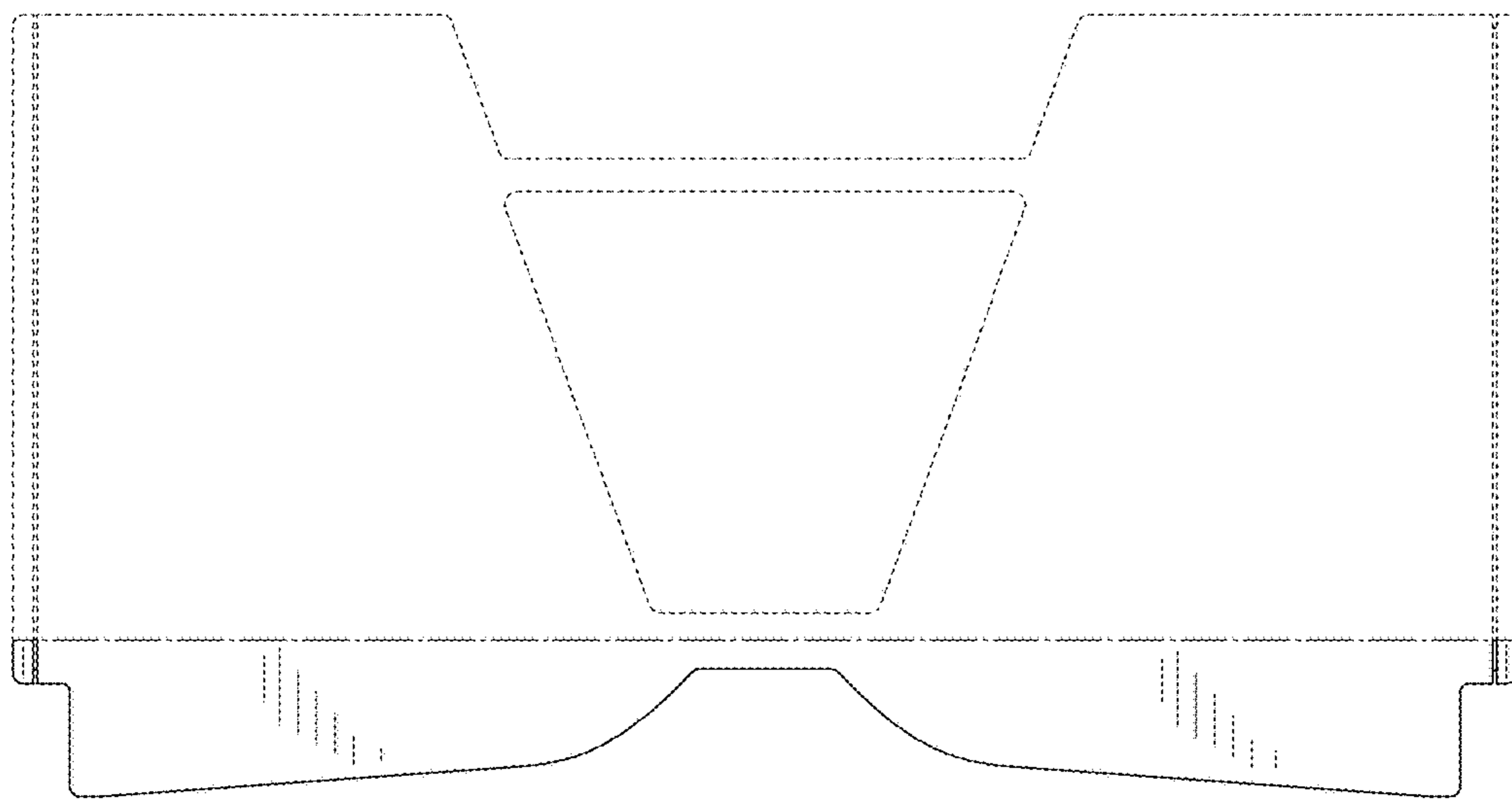


FIG. 7

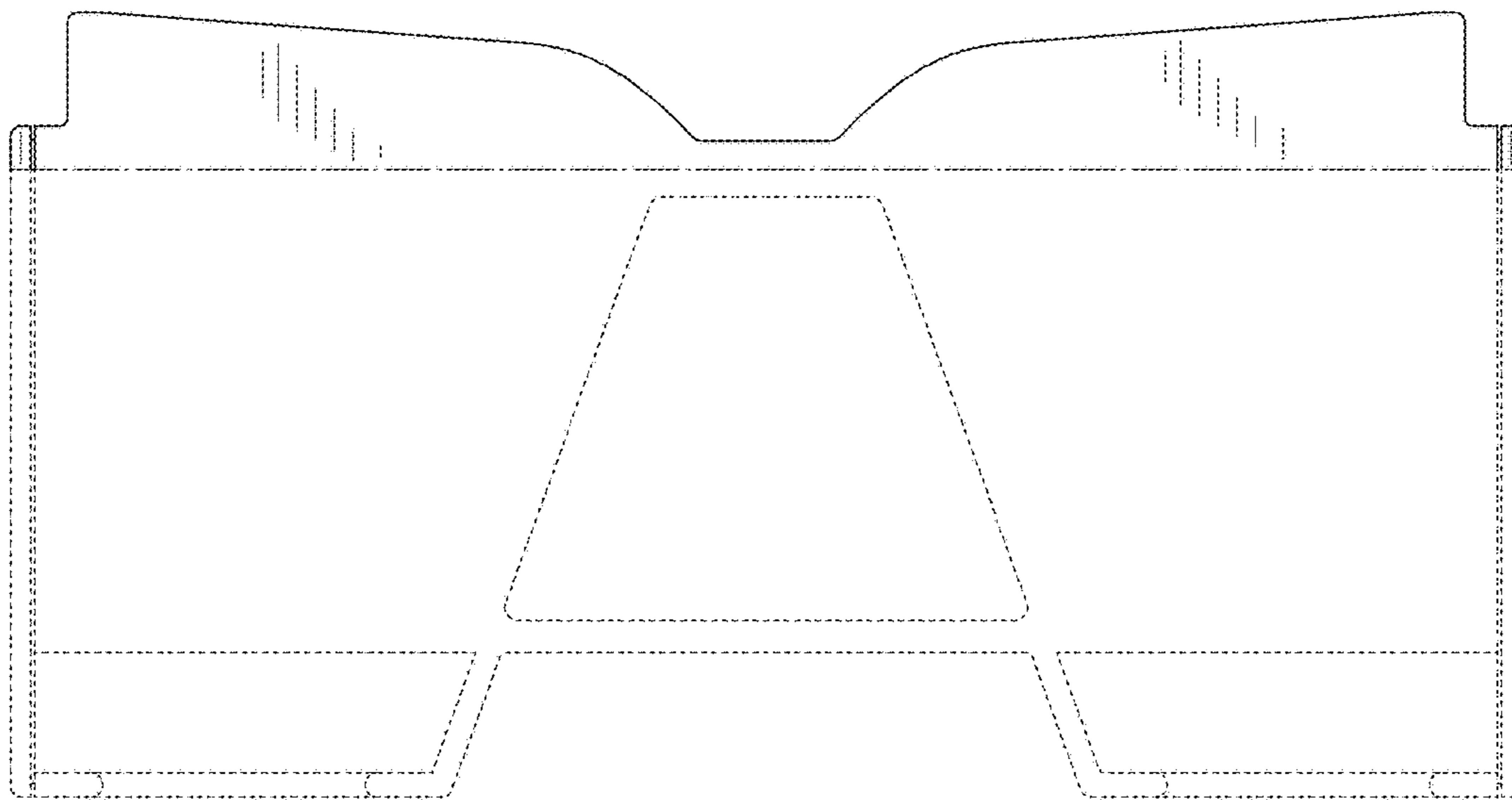


FIG. 8

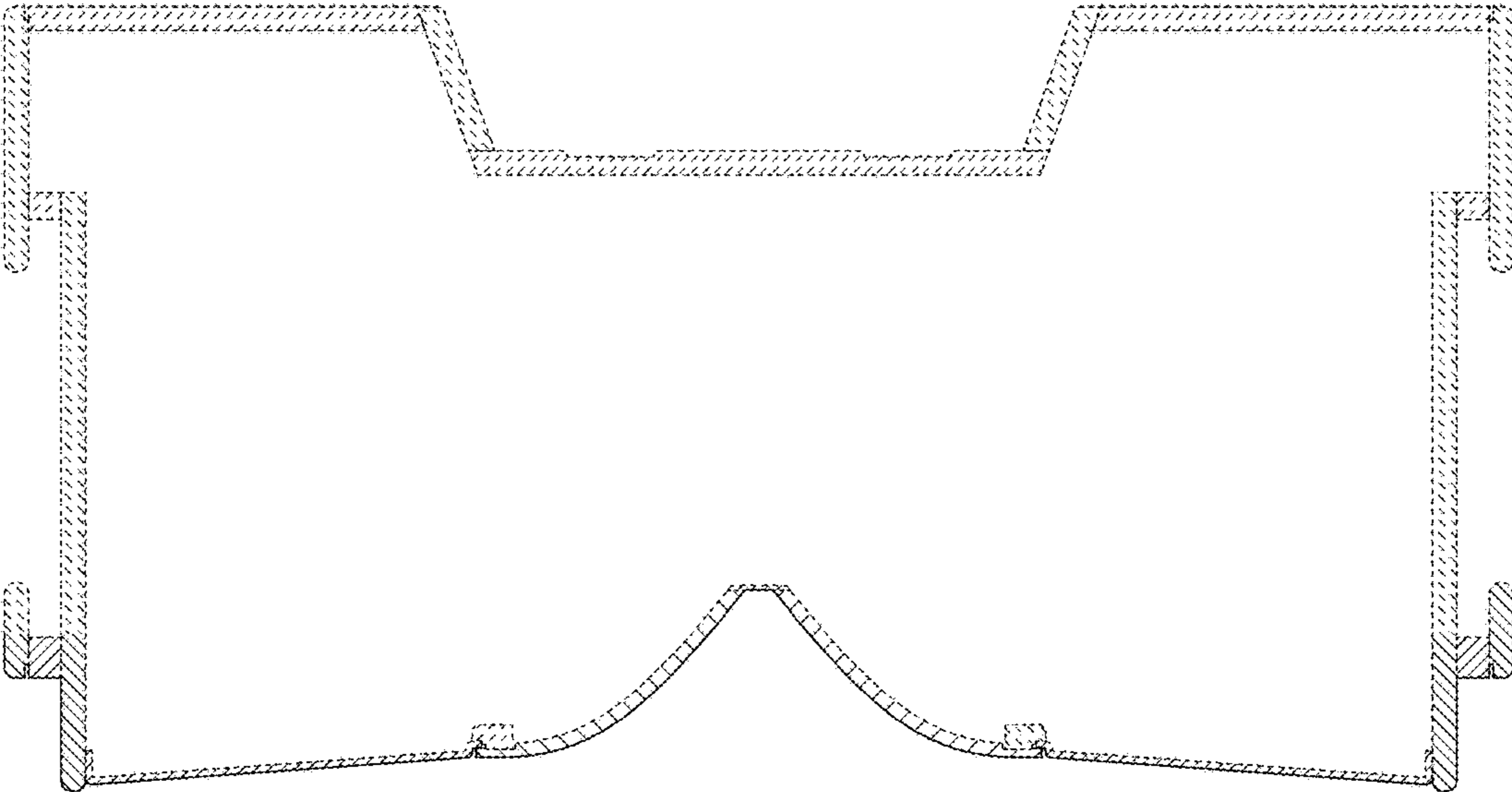


FIG. 9

