



US00D848970S

(12) **United States Design Patent**
Lim et al.

(10) **Patent No.:** **US D848,970 S**

(45) **Date of Patent:** **** May 21, 2019**

(54) **TELEVISION**

(71) Applicant: **LG ELECTRONICS INC.**, Seoul (KR)

(72) Inventors: **Chulhee Lim**, Seoul (KR); **Yooseok Kim**, Seoul (KR); **Sangik Lee**, Seoul (KR); **Jeongrok Lee**, Seoul (KR)

(73) Assignee: **LG ELECTRONICS INC.**, Seoul (KR)

(**) Term: **15 Years**

(21) Appl. No.: **35/504,984**

(22) Filed: **Nov. 22, 2017**

(80) **Hague Agreement Data**

Int. Filing Date: **Nov. 22, 2017**

Int. Reg. No.: **DM/098714**

Int. Reg. Date: **Nov. 22, 2017**

Int. Reg. Pub. Date: **May 25, 2018**

(30) **Foreign Application Priority Data**

May 24, 2017 (KR) 30-2017-0023432

(51) **LOC (11) Cl.** **14-03**

(52) **U.S. Cl.**
USPC **D14/126**

(58) **Field of Classification Search**
USPC D14/126, 316, 335, 336, 340, 374;
D21/515
CPC G06F 1/1626; H04N 5/64; H04N 5/645;
H05K 5/00; H05K 5/0204
See application file for complete search history.

(56) **References Cited**

U.S. PATENT DOCUMENTS

D731,994 S * 6/2015 Won D14/126
D748,596 S * 2/2016 McManigal D14/126

D749,532 S * 2/2016 McManigal D14/126
D750,582 S * 3/2016 Kim D14/126
D755,744 S * 5/2016 Williams, Jr. D14/126
D782,991 S * 4/2017 Kim D14/126
D783,555 S * 4/2017 Cho D14/126
D785,581 S * 5/2017 McManigal D14/126
D786,813 S * 5/2017 McManigal D14/126
D805,050 S * 12/2017 Lim D14/126
D806,666 S * 1/2018 Kim D14/126
D817,902 S * 5/2018 Lee D14/126
D818,979 S * 5/2018 Won D14/126
D821,341 S * 6/2018 Iseki D14/126
10,057,504 B2 * 8/2018 Lee H04N 5/2628
D827,601 S * 9/2018 Kim D14/126
D835,058 S * 12/2018 Kim D14/126
D835,059 S * 12/2018 Kim D14/126
D836,075 S * 12/2018 Ryu D14/126
D837,756 S * 1/2019 Cheng H04N 5/2628
D14/126
D837,757 S * 1/2019 Kim D14/126

* cited by examiner

Primary Examiner — Robert M. Spear

(74) *Attorney, Agent, or Firm* — Birch, Stewart, Kolasch & Birch, LLP

(57) **CLAIM**

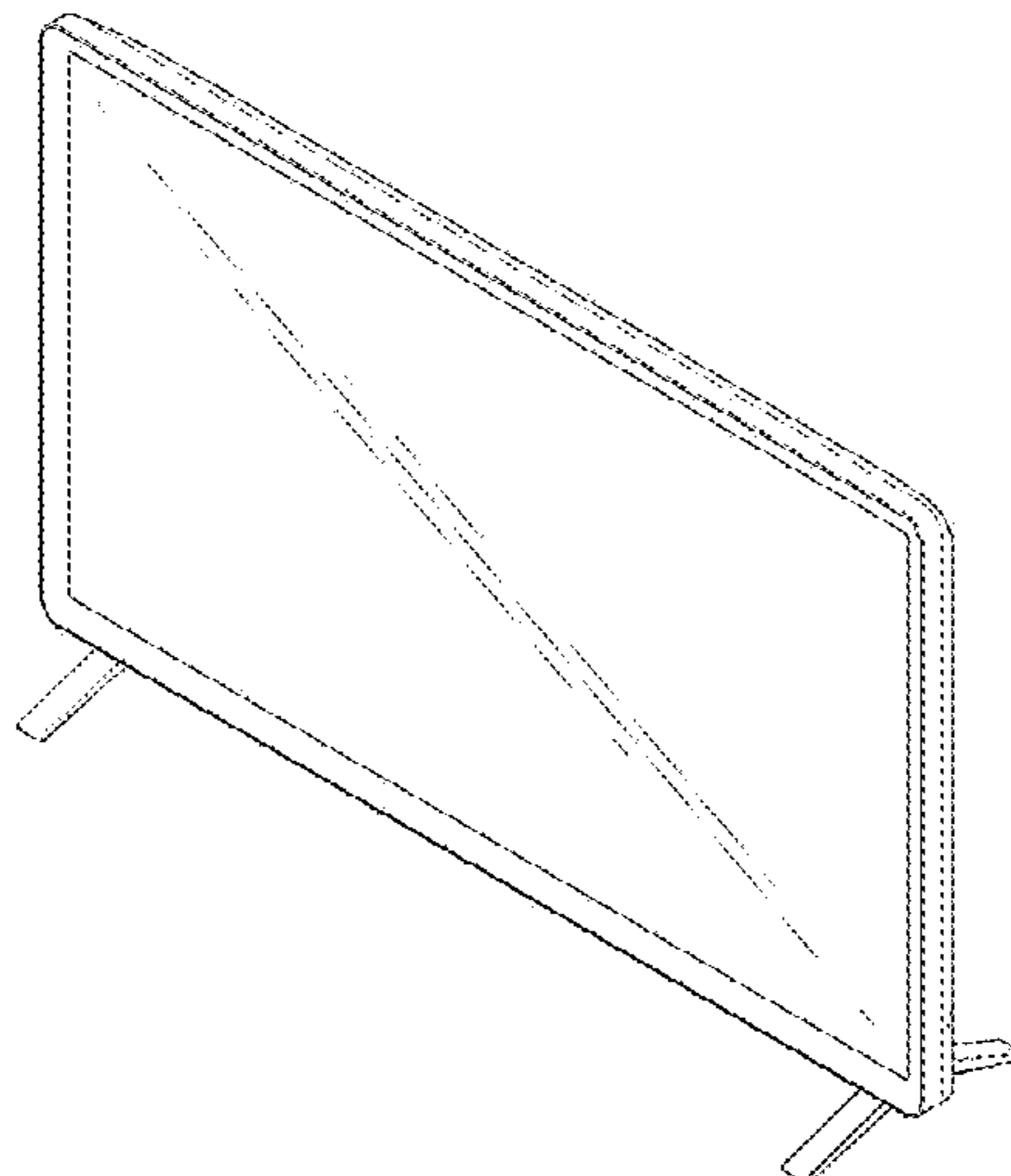
The ornamental design for a television, as shown and described.

DESCRIPTION

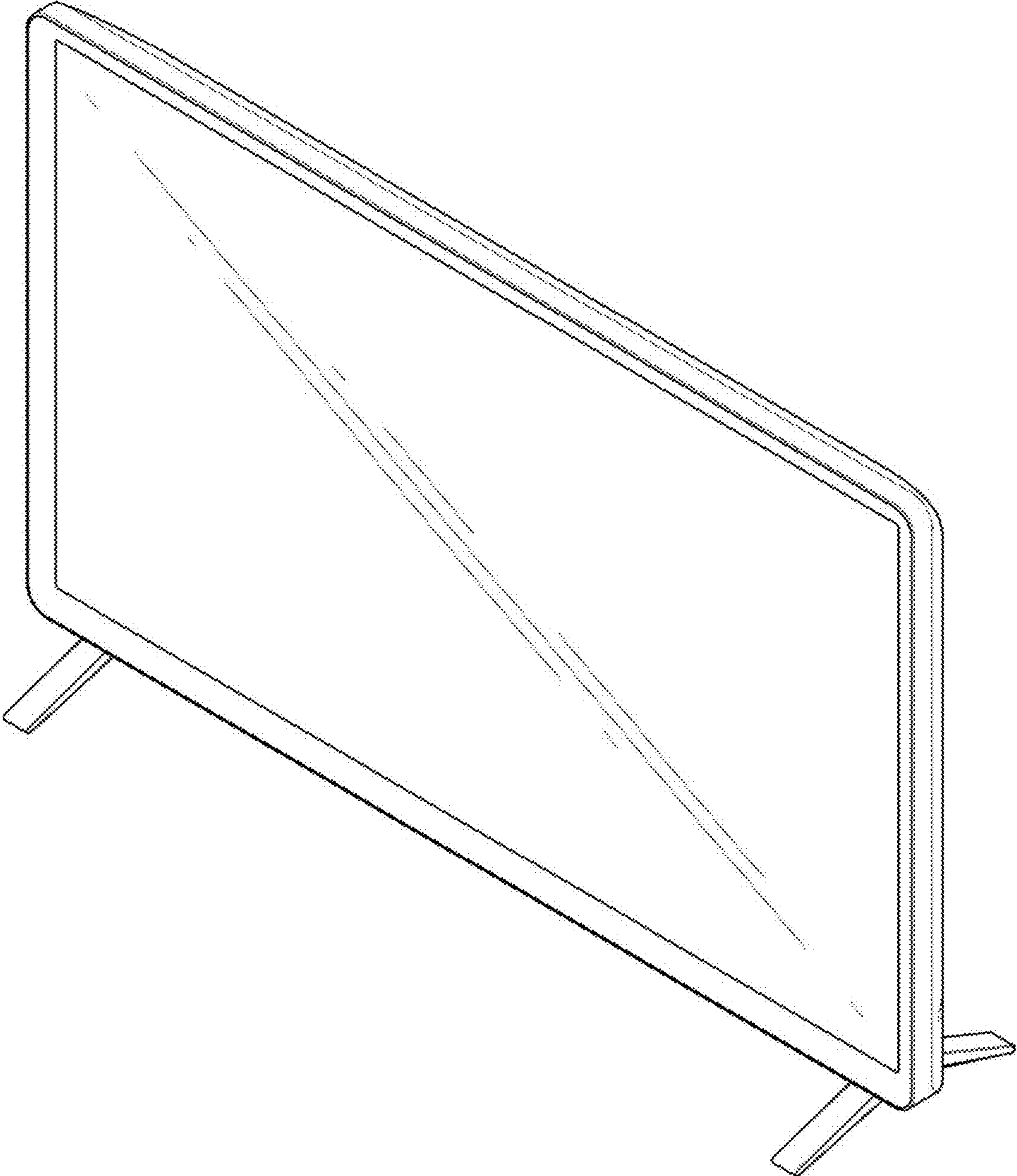
- 1. Television
- 1.1 : Perspective
- 1.2 : Front
- 1.3 : Back
- 1.4 : Left
- 1.5 : Right
- 1.6 : Top
- 1.7 : Bottom

The parallel fine lines and curves shown in all the drawings indicate the relief of surface of the product; the broken lines indicate unclaimed portions of the article that form no part of the claimed design.

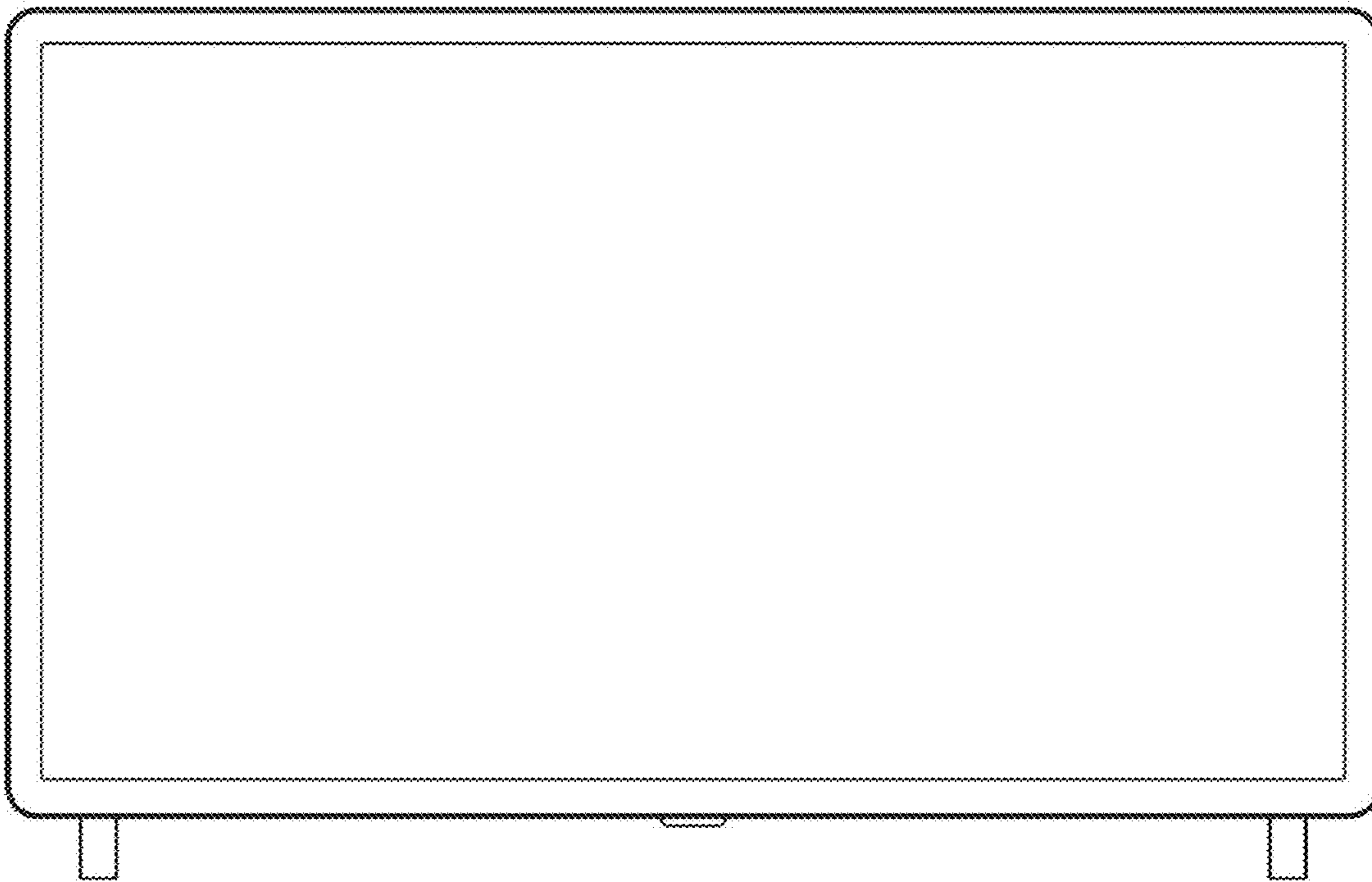
1 Claim, 7 Drawing Sheets



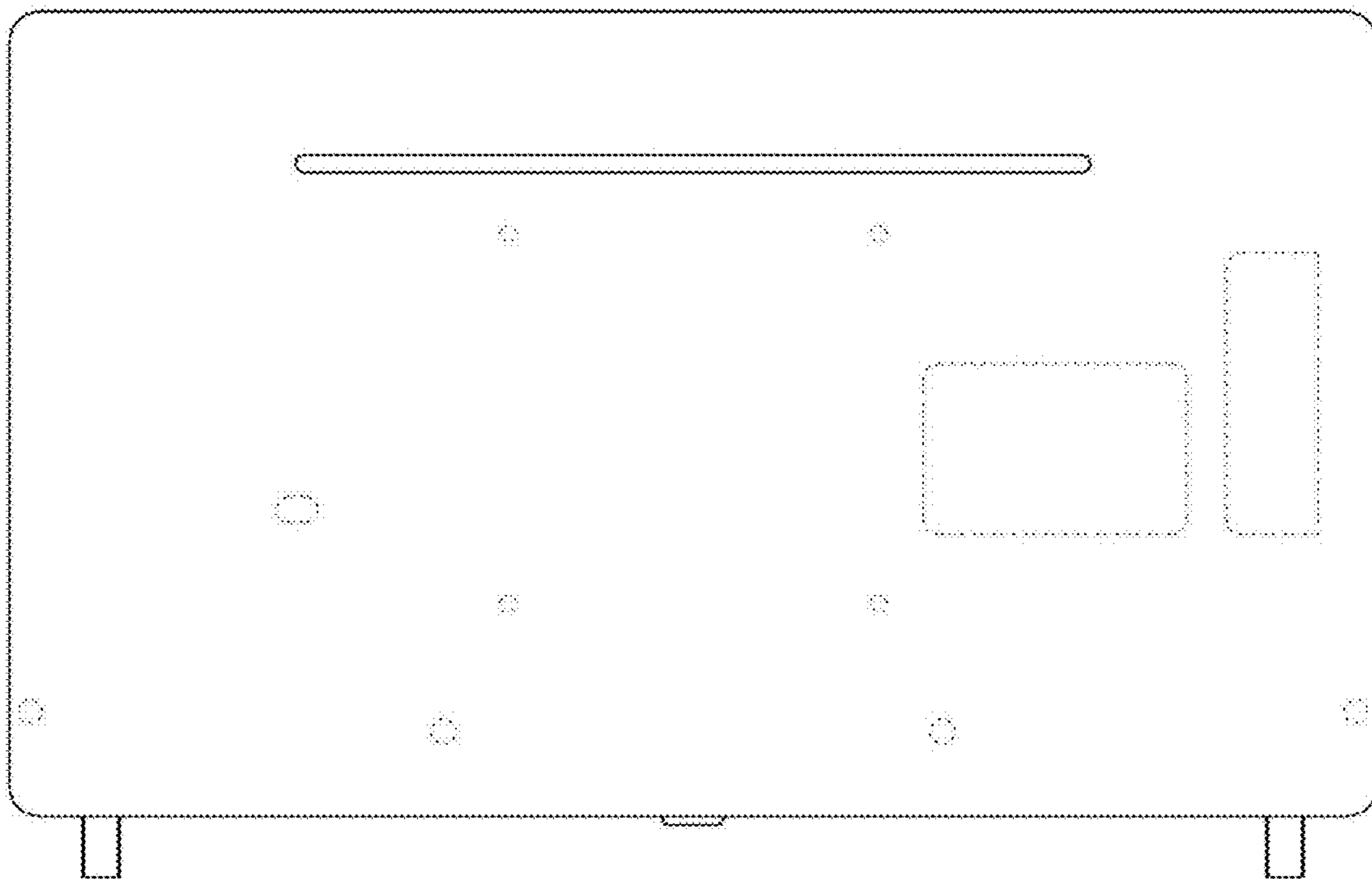
1.1



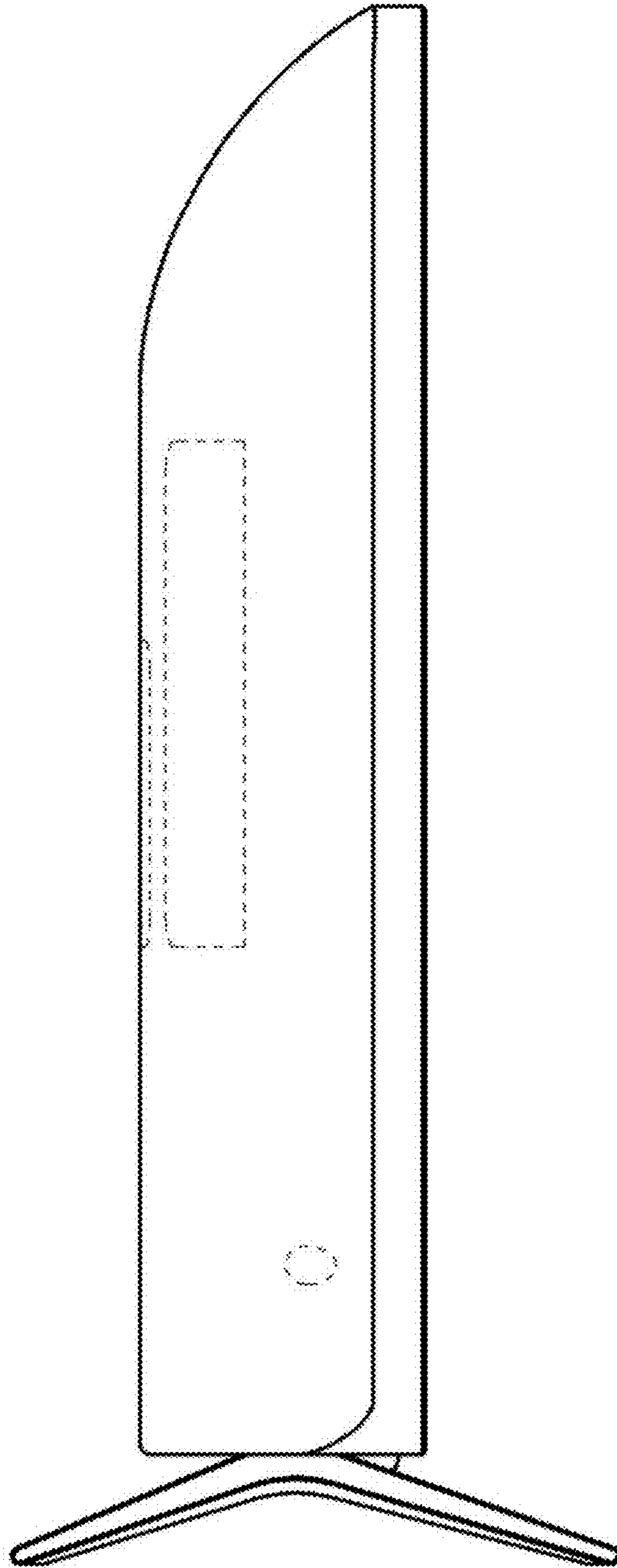
1.2



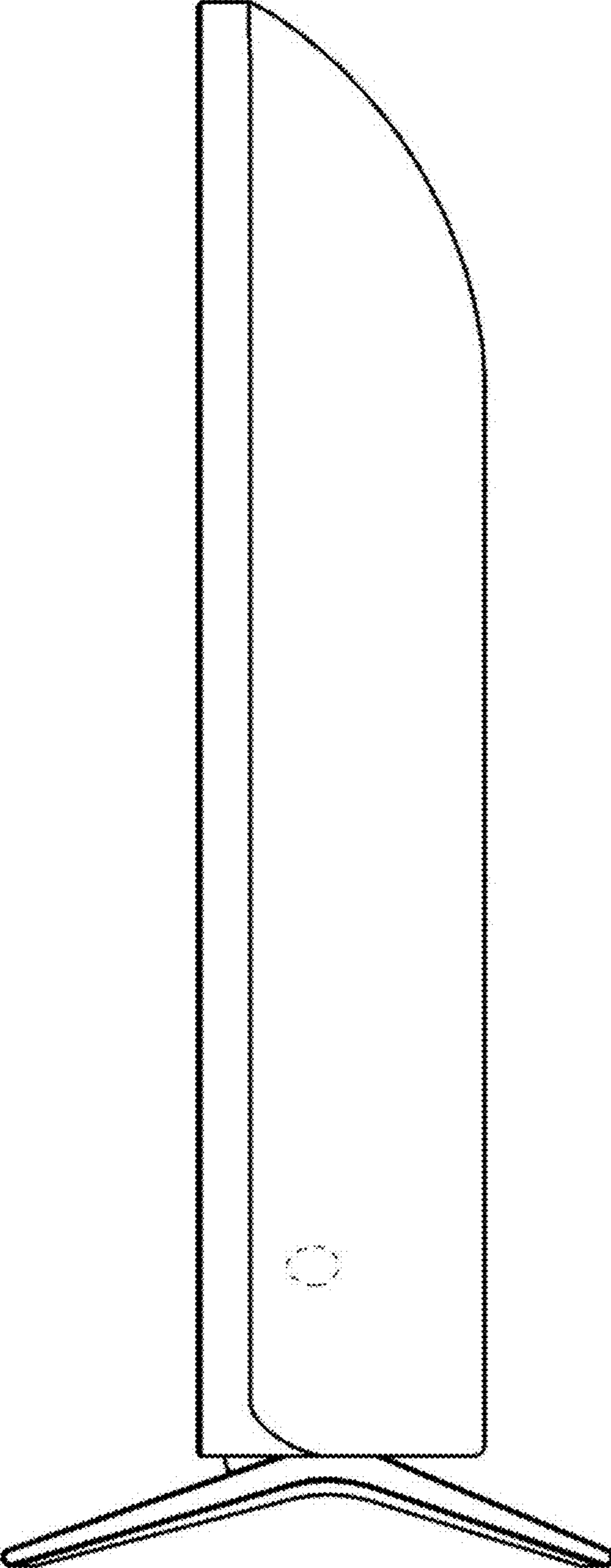
1.3



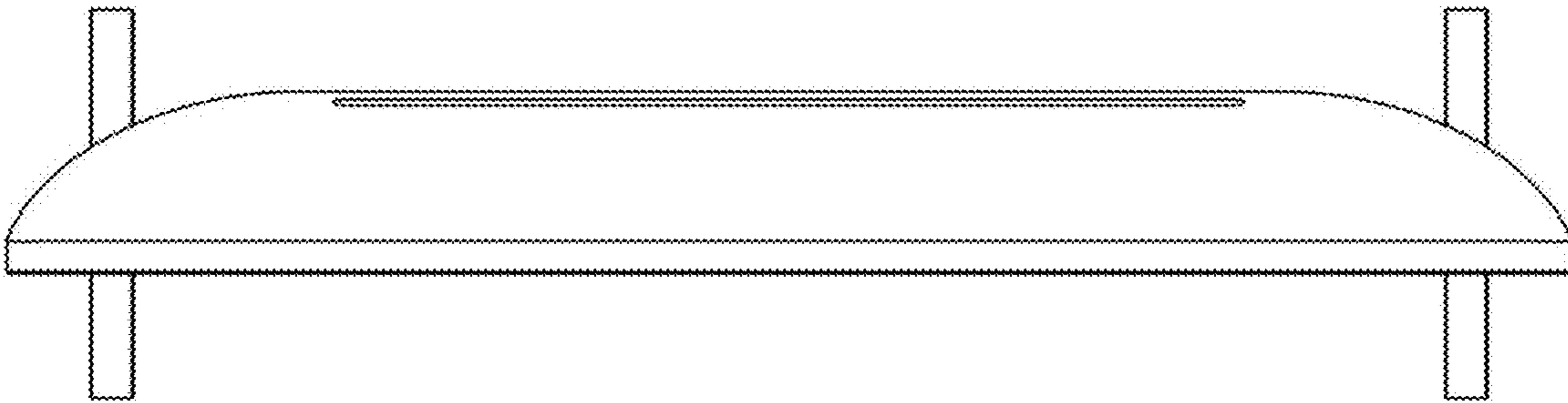
1.4



1.5



1.6



1.7

