



US00D848968S

(12) **United States Design Patent** (10) **Patent No.:** **US D848,968 S**
Kim et al. (45) **Date of Patent:** **** *May 21, 2019**

(54) **TELEVISION**

(71) Applicant: **LG ELECTRONICS INC.**, Seoul (KR)

(72) Inventors: **Yooseok Kim**, Seoul (KR); **Sunha Park**, Seoul (KR); **Jeongrok Lee**, Seoul (KR); **Byungmu Huh**, Seoul (KR)

(73) Assignee: **LG Electronics Inc.**, Seoul (KR)

(*) Notice: This patent is subject to a terminal disclaimer.

(**) Term: **15 Years**

(21) Appl. No.: **35/504,125**

(22) Filed: **Jun. 7, 2017**

(80) **Hague Agreement Data**

Int. Filing Date: **Jun. 7, 2017**
Int. Reg. No.: **DM/096449**
Int. Reg. Date: **Jun. 7, 2017**
Int. Reg. Pub. Date: **Dec. 8, 2017**

(30) **Foreign Application Priority Data**

Dec. 9, 2016 (KR) 30-2016-0059918

(51) **LOC (11) Cl.** **14-03**

(52) **U.S. Cl.**
USPC **D14/126**

(58) **Field of Classification Search**
USPC D14/125, 126, 127-137, 239, 314-316, D14/322, 326, 334-336, 339, 340, 341, D14/371, 373-374, 448, 450, 138 G, 248; D6/300, 310, 314, 320, 332, 553; D21/329, 332, 515, 324
CPC G06F 1/16; G06F 1/1601; G06F 1/1637; H04N 5/64; H05K 5/0204; H05K 5/0017; H05K 5/0217

See application file for complete search history.

(56) **References Cited**

U.S. PATENT DOCUMENTS

D642,149	S	*	7/2011	Inoue	D14/126
D643,000	S	*	8/2011	Ryu	D14/126
D643,388	S	*	8/2011	Takami	D14/126
D692,403	S	*	10/2013	Takami	D14/126
D692,404	S	*	10/2013	Zuege	D14/126
D698,351	S	*	1/2014	Jasinski	D14/336
D709,045	S	*	7/2014	Itou	D14/126
D729,755	S	*	5/2015	McManigal	D14/126
D732,020	S	*	6/2015	Seoc	D14/341
D737,270	S	*	8/2015	Young	D14/341
D738,338	S	*	9/2015	Lee	D14/126
D738,875	S	*	9/2015	Seoc	D14/341
D740,245	S	*	10/2015	Kim	D14/126
D741,829	S	*	10/2015	McManigal	D14/126
D782,991	S	*	4/2017	Kim	D14/126
D785,581	S	*	5/2017	McManigal	D14/126
D786,245	S	*	5/2017	Skinner	D14/374

(Continued)

Primary Examiner — Barbara Fox
Assistant Examiner — Dana K Weiland
(74) *Attorney, Agent, or Firm* — Birch, Stewart, Kolasch & Birch, LLP

(57) **CLAIM**

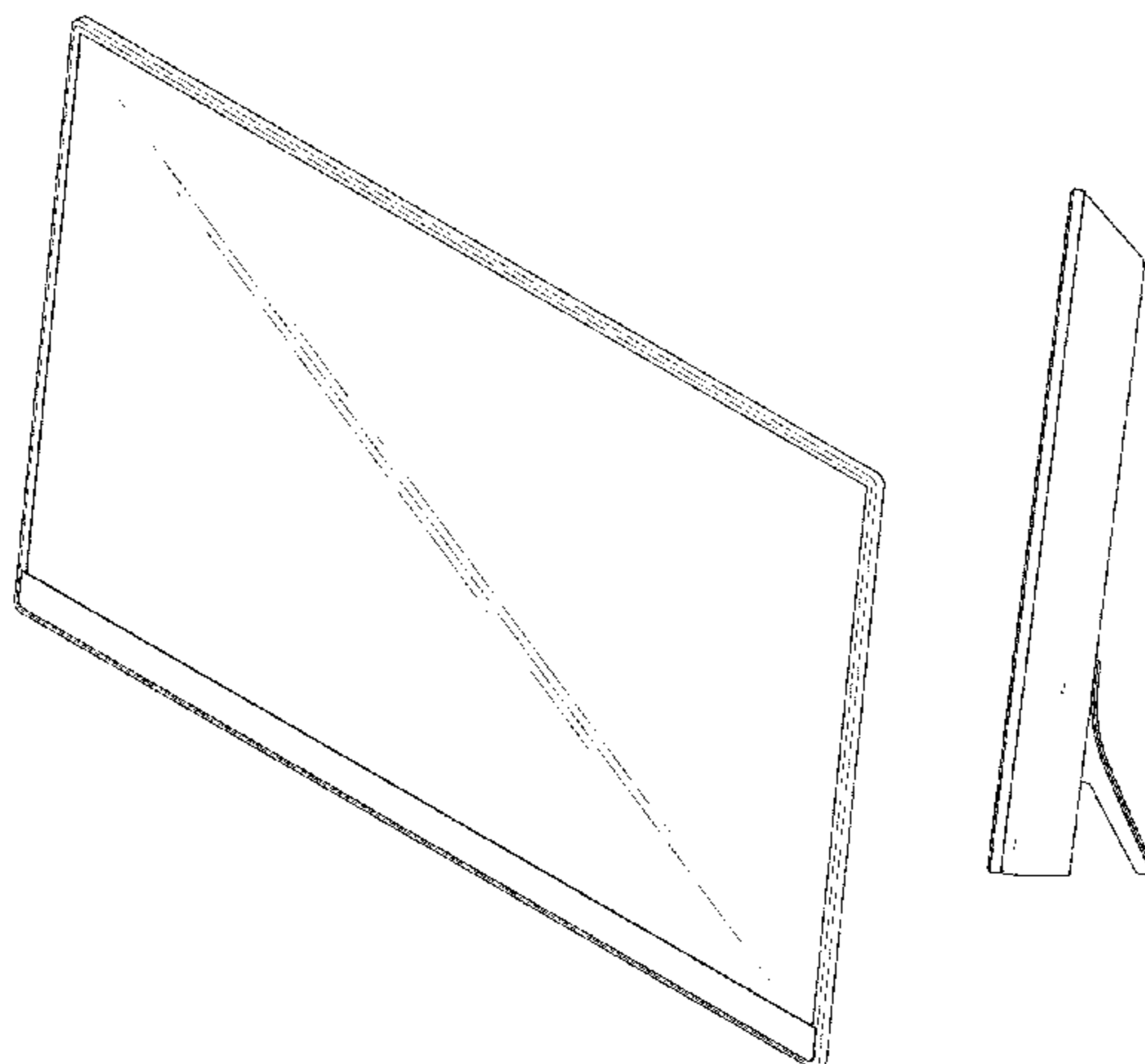
The ornamental design for a television, as shown and described.

DESCRIPTION

- 1. Television
- 1.1 : Perspective
- 1.2 : Front
- 1.3 : Back
- 1.4 : Left
- 1.5 : Right
- 1.6 : Top
- 1.7 : Bottom

The broken lines shown in the drawings depict portions of the television that form no part of the claimed design.

1 Claim, 7 Drawing Sheets



(56)

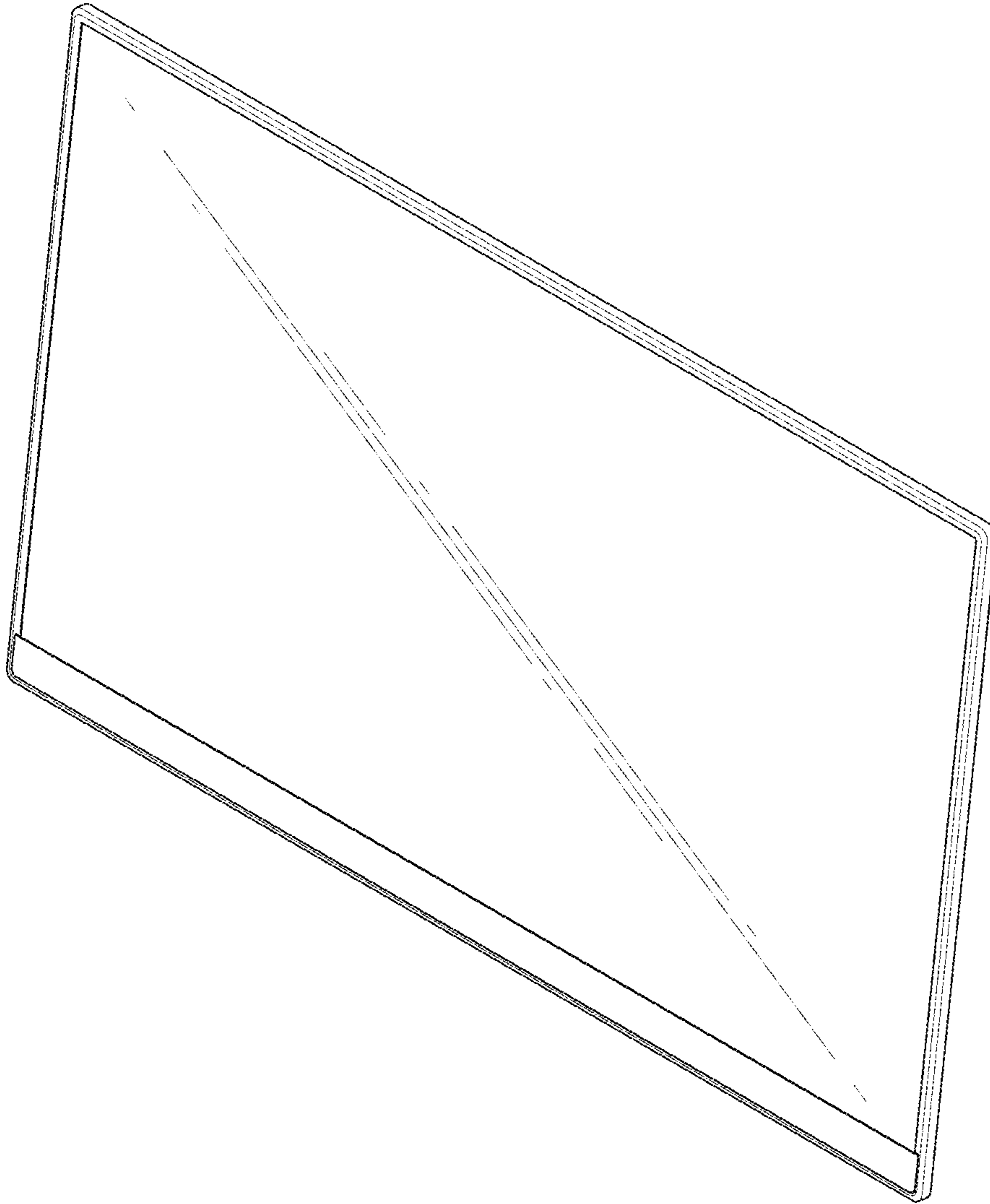
References Cited

U.S. PATENT DOCUMENTS

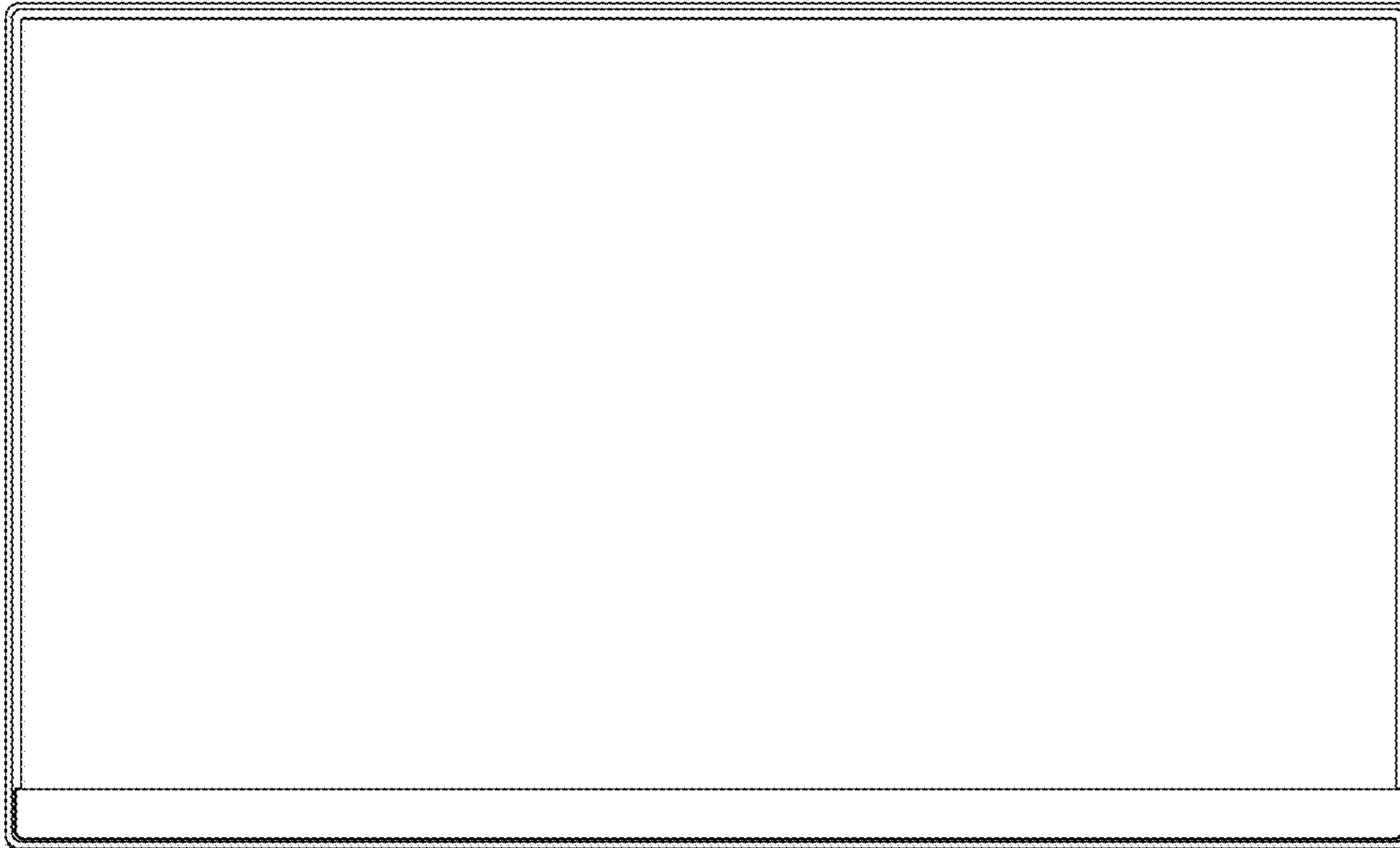
D786,813 S *	5/2017	McManigal	D14/126
D799,440 S *	10/2017	Kim	D14/126
D806,069 S *	12/2017	Peng	D14/336
D806,667 S *	1/2018	Lee	D14/126
D810,744 S *	2/2018	Wang	D14/374
D817,329 S *	5/2018	Chu	D14/374

* cited by examiner

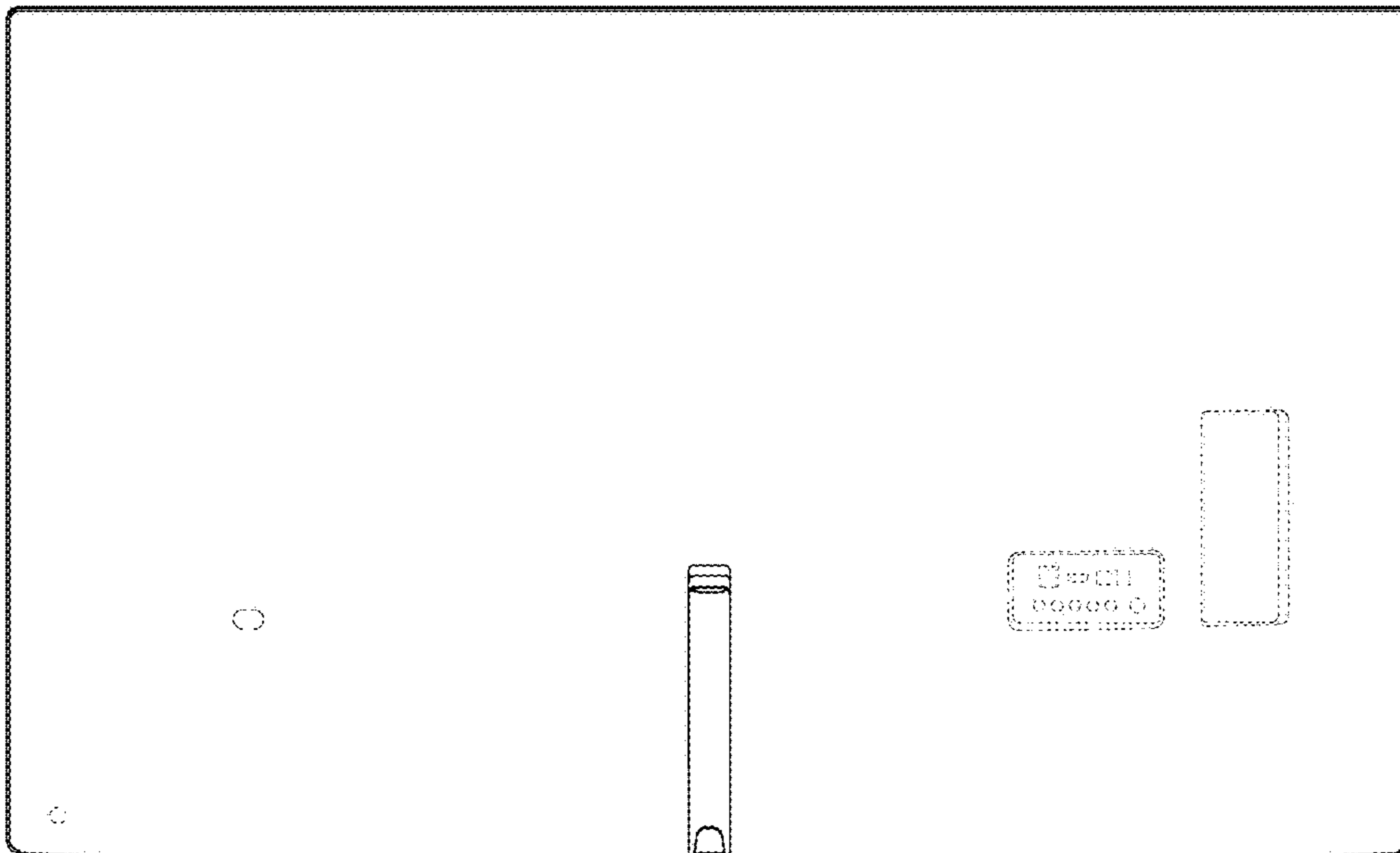
1.1

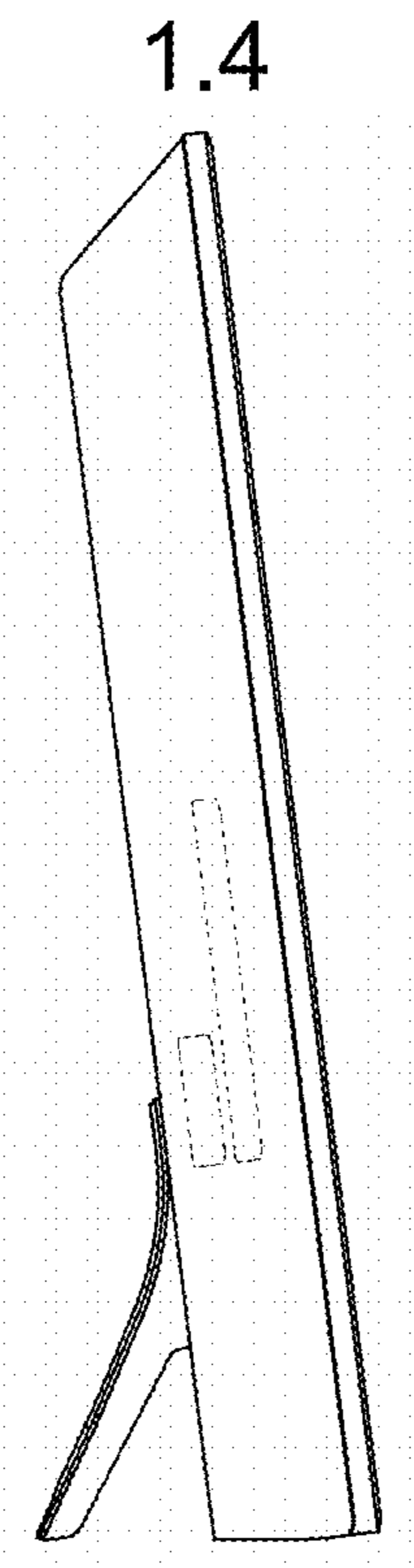


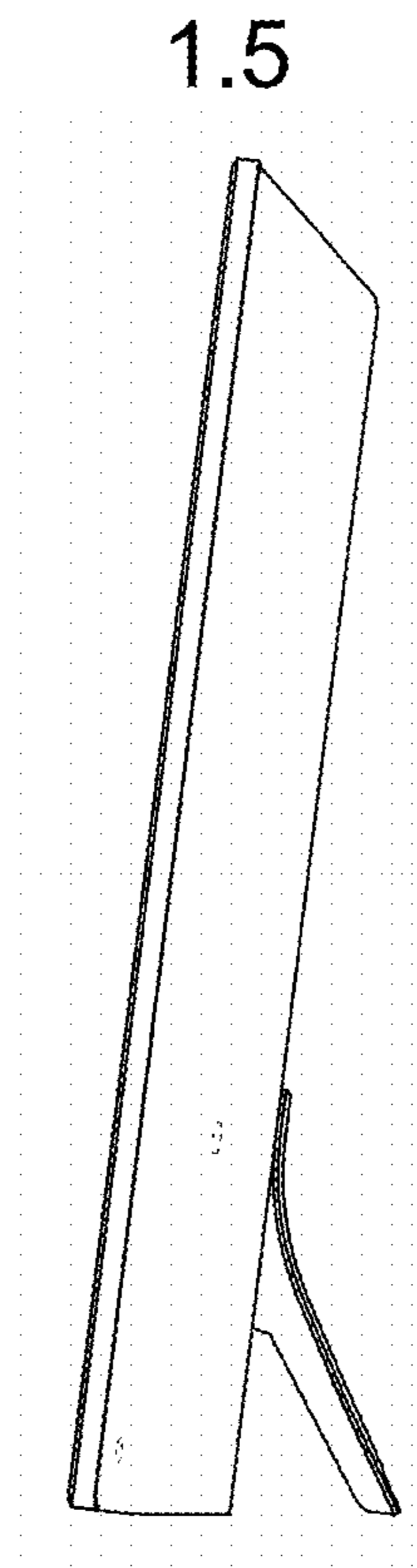
1.2

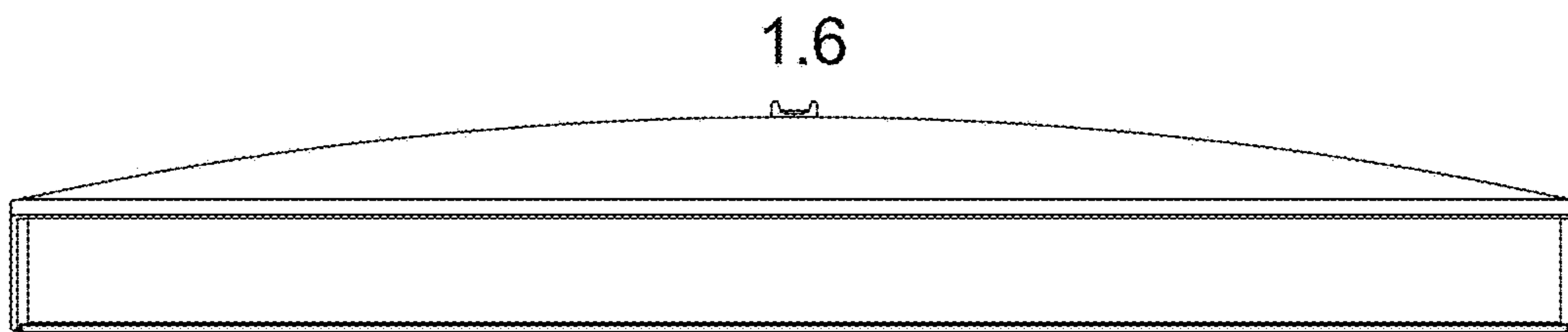


1.3









1.7

