



US00D848967S

(12) **United States Design Patent** (10) **Patent No.:** **US D848,967 S**  
**Kim et al.** (45) **Date of Patent:** **\*\* \*May 21, 2019**

(54) **TELEVISION**

(71) Applicant: **LG ELECTRONICS INC.**, Seoul (KR)

(72) Inventors: **Yooseok Kim**, Seoul (KR); **Sunha Park**, Seoul (KR); **Jeongrok Lee**, Seoul (KR); **Byungmu Huh**, Seoul (KR)

(73) Assignee: **LG ELECTRONICS INC.**, Seoul (KR)

(\*) Notice: This patent is subject to a terminal disclaimer.

(\*\*) Term: **15 Years**

(21) Appl. No.: **35/504,106**

(22) Filed: **Jun. 7, 2017**

(80) **Hague Agreement Data**

Int. Filing Date: **Jun. 7, 2017**

Int. Reg. No.: **DM/096444**

Int. Reg. Date: **Jun. 7, 2017**

Int. Reg. Pub. Date: **Dec. 8, 2017**

(30) **Foreign Application Priority Data**

Dec. 9, 2016 (KR) ..... 30-2016-0059927

(51) **LOC (11) Cl.** ..... **14-03**

(52) **U.S. Cl.**  
USPC ..... **D14/126**

(58) **Field of Classification Search**

USPC ..... D14/125, 126, 127-137, 239, 314-316, D14/322, 326, 334-336, 339, 340, 341, D14/371, 373-374, 448, 450, 138 G, 248; D6/300, 310, 314, 320, 332, 553; D21/329, 332, 515, 324  
CPC ..... G06F 1/16; G06F 1/1601; G06F 1/1637; H04N 5/64; H05K 5/0204; H05K 5/0017; H05K 5/0217

See application file for complete search history.

(56) **References Cited**

U.S. PATENT DOCUMENTS

D729,755 S *	5/2015	McManigal	.....	D14/126
D741,829 S *	10/2015	McManigal	.....	D14/126
D748,596 S *	2/2016	McManigal	.....	D14/126
D782,991 S *	4/2017	Kim	.....	D14/126
D785,581 S *	5/2017	McManigal	.....	D14/126
D786,813 S *	5/2017	McManigal	.....	D14/126
D796,464 S *	9/2017	Kim	.....	D14/126
D797,084 S *	9/2017	Lee	.....	D14/126
D799,440 S *	10/2017	Kim	.....	D14/126
D805,490 S *	12/2017	Lim	.....	D14/126
D806,666 S *	1/2018	Kim	.....	D14/126
D806,667 S *	1/2018	Lee	.....	D14/126
D818,979 S *	5/2018	Won	.....	D14/126
D820,228 S *	6/2018	Kim	.....	D14/126
D821,370 S *	6/2018	Kim	.....	D14/239
D826,791 S *	8/2018	Kim	.....	D12/126

\* cited by examiner

*Primary Examiner* — Barbara Fox

*Assistant Examiner* — Dana K Weiland

(74) *Attorney, Agent, or Firm* — Birch, Stewart, Kolasch & Birch, LLP

(57) **CLAIM**

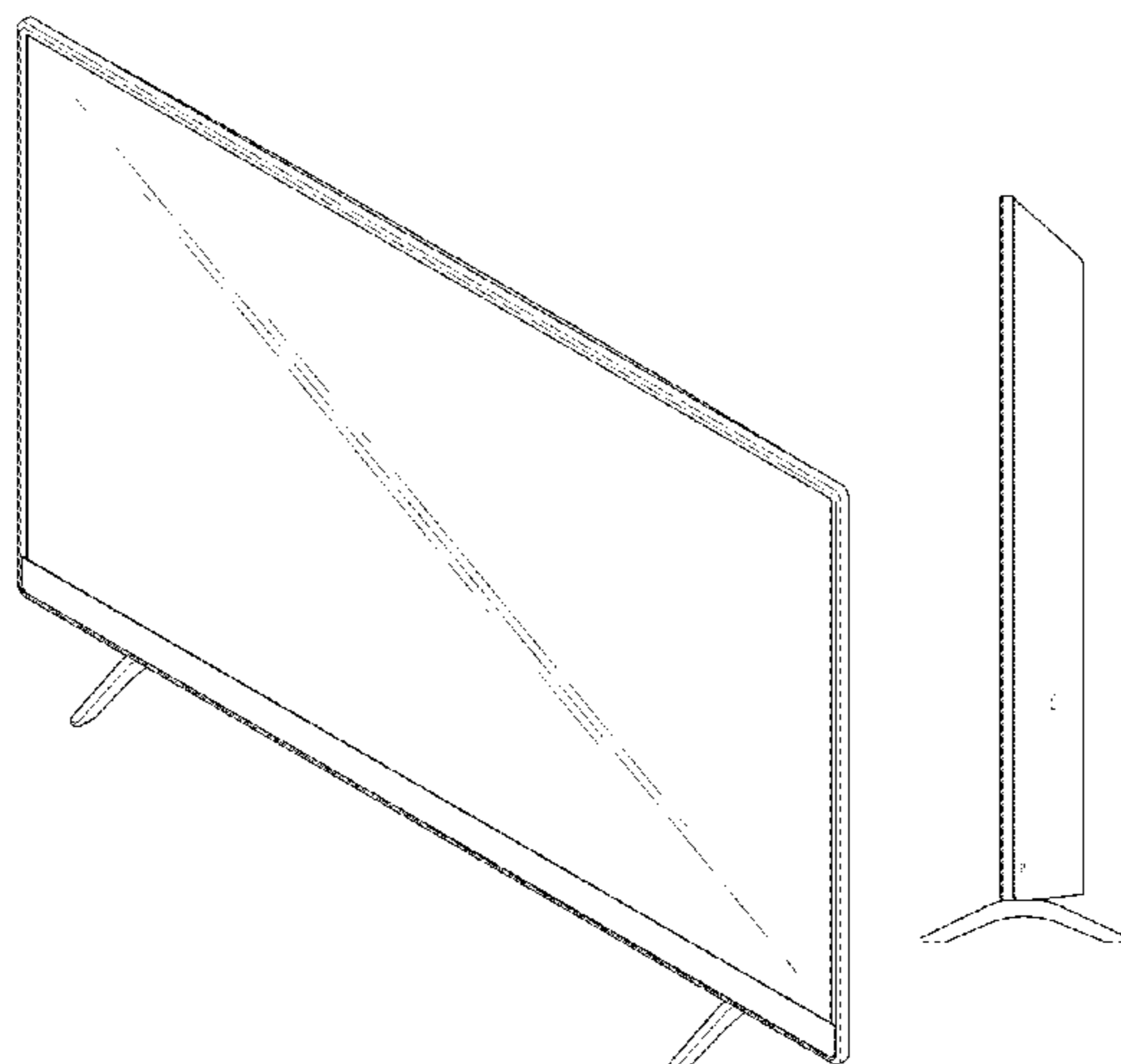
The ornamental design for a television, as shown and described.

**DESCRIPTION**

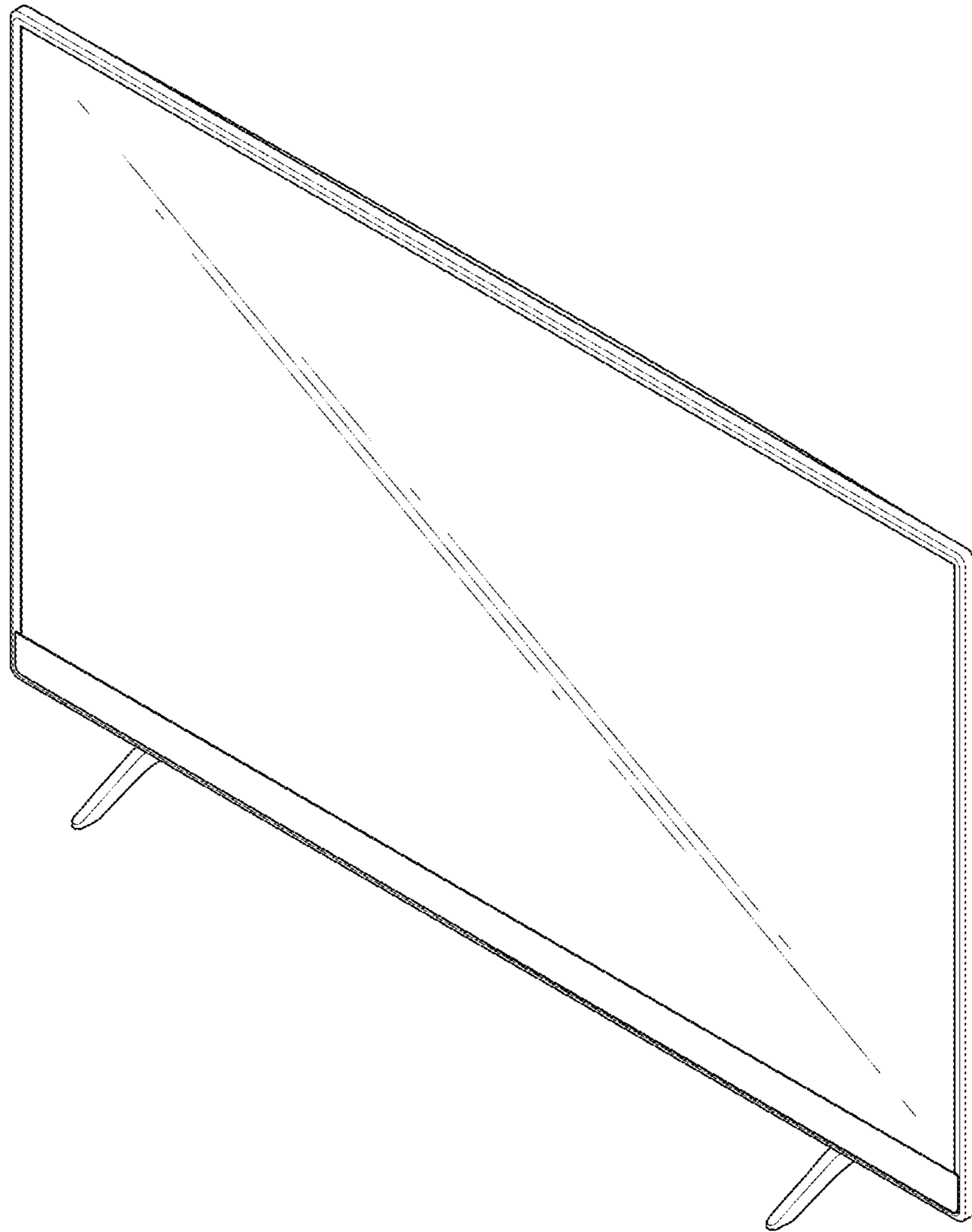
- 1. Television
- 1.1 : Perspective
- 1.2 : Front
- 1.3 : Back
- 1.4 : Left
- 1.5 : Right
- 1.6 : Top
- 1.7 : Bottom

The broken lines shown in the drawings depict portions of the television that form no part of the claimed design.

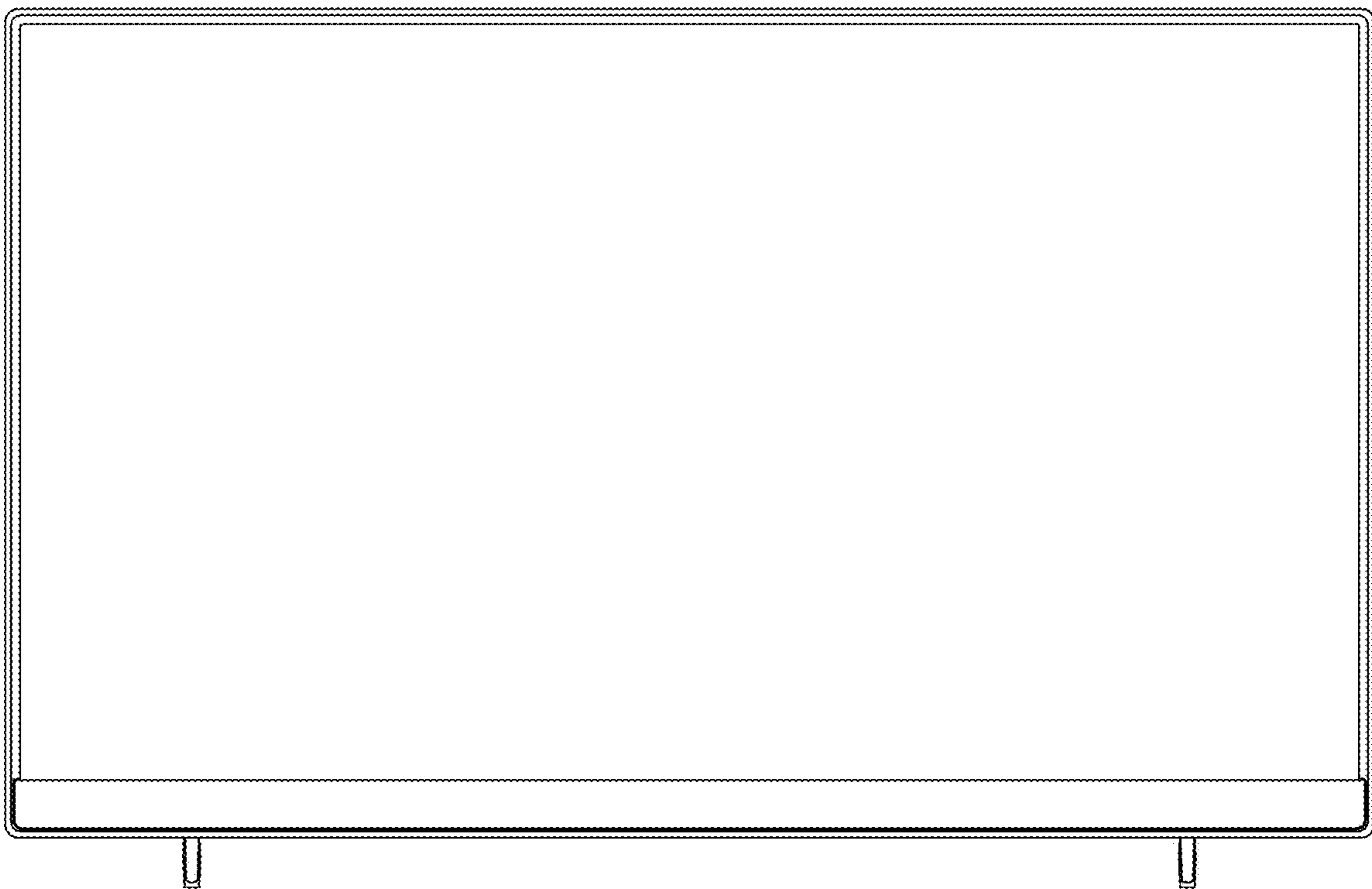
**1 Claim, 7 Drawing Sheets**



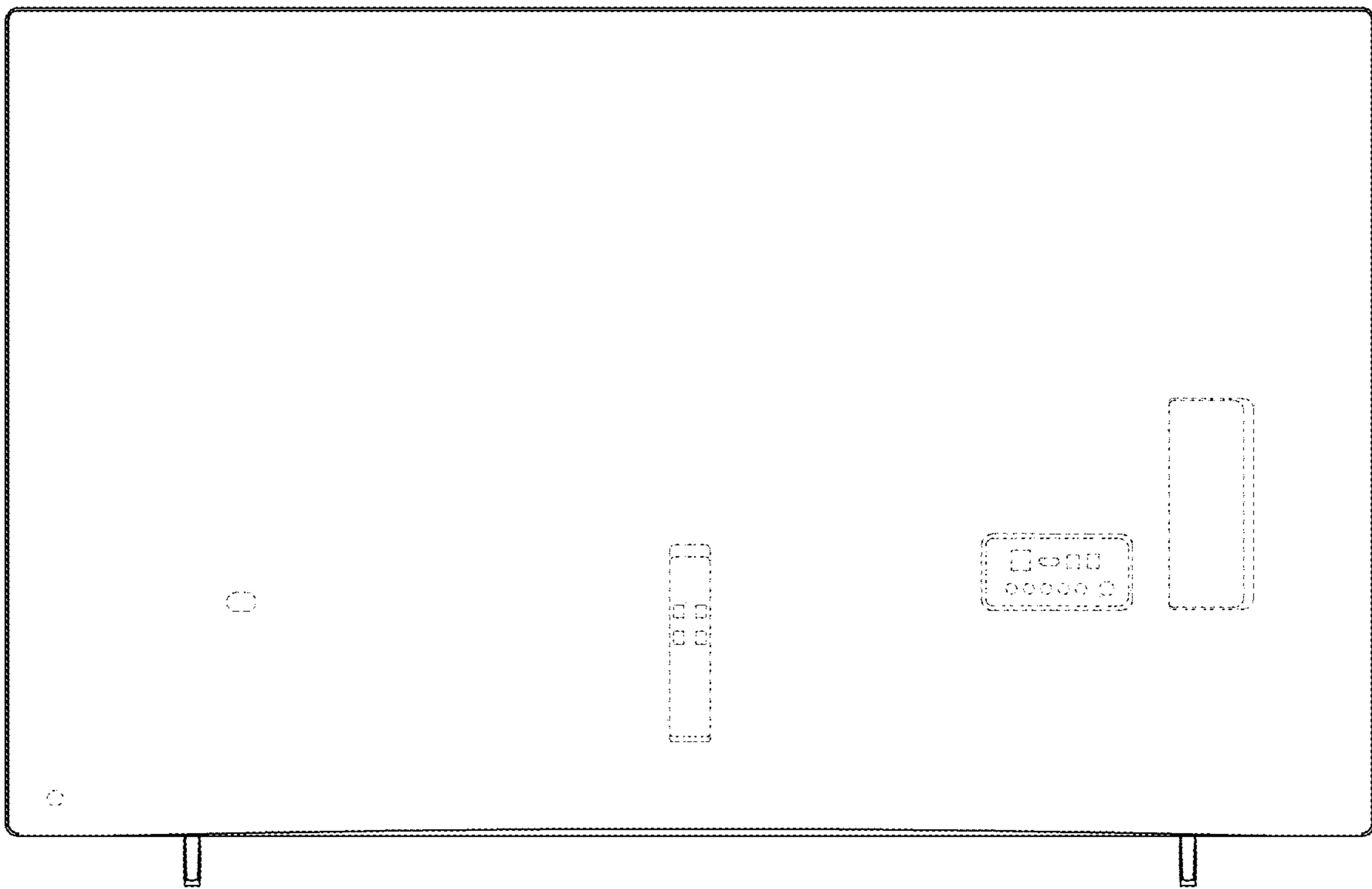
1.1

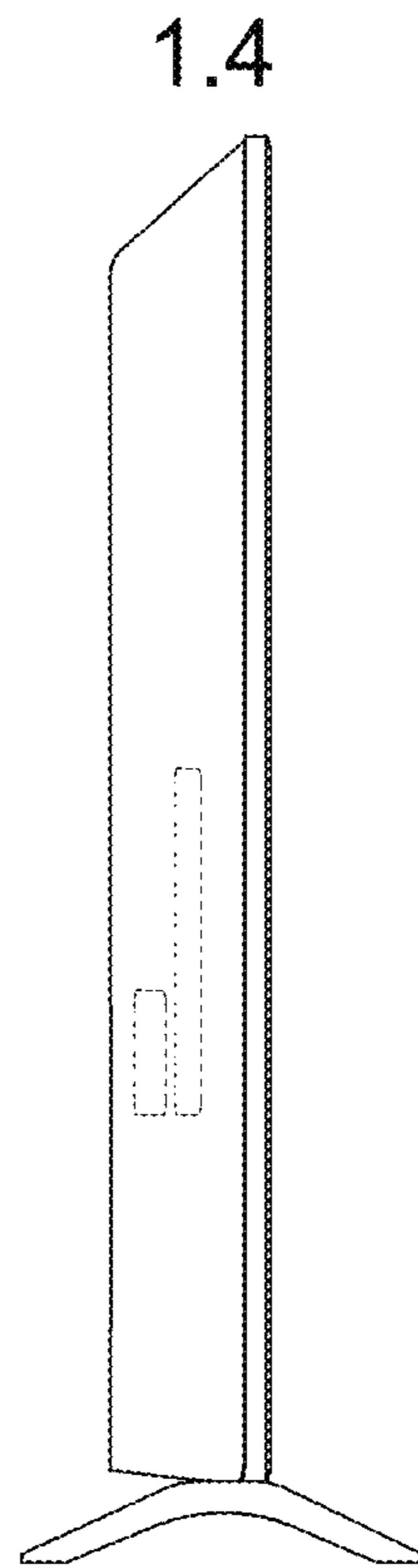


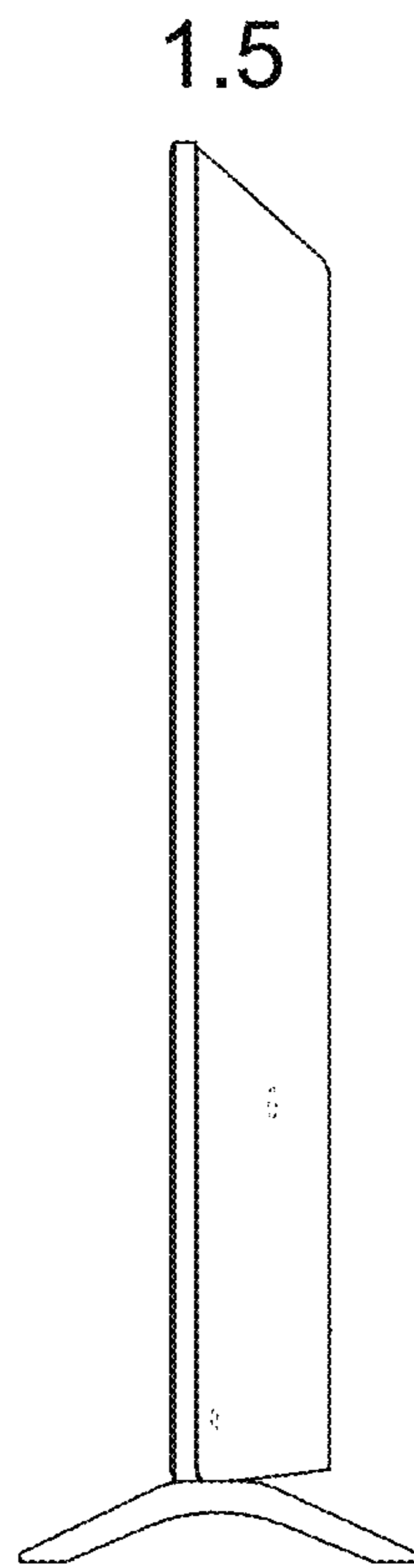
1.2

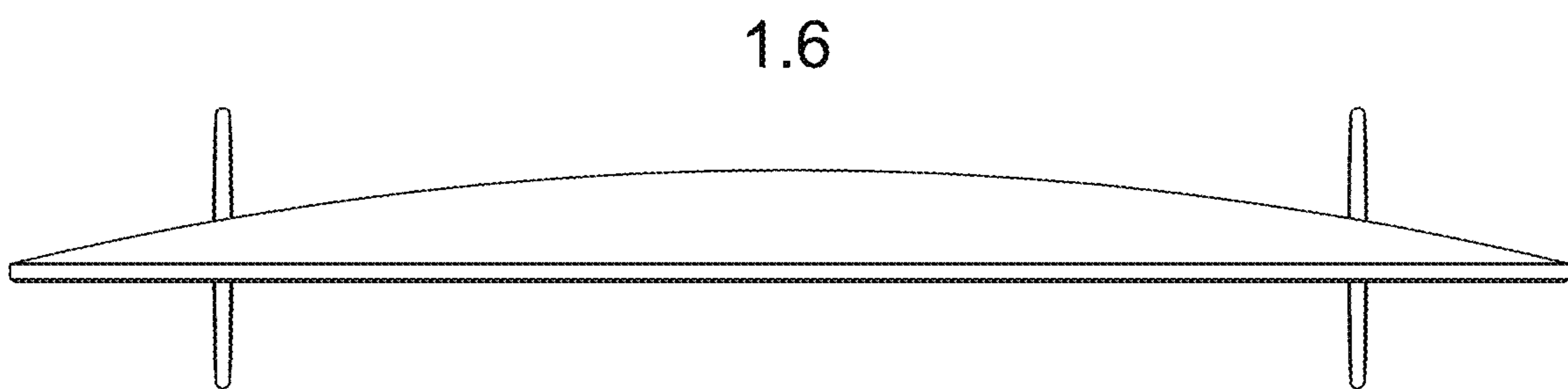


1.3









1.7

