

US00D848964S

(12) **United States Design Patent** (10) **Patent No.:** **US D848,964 S**
Won et al. (45) **Date of Patent:** **** May 21, 2019**

(54) **TELEVISION**

(71) Applicant: **LG ELECTRONICS INC.**, Seoul (KR)

(72) Inventors: **Hyojin Won**, Seoul (KR); **Hyeyoung Hong**, Seoul (KR); **Yongho Lee**, Seoul (KR); **Youngkyoung Kim**, Seoul (KR)

(73) Assignee: **LG ELECTRONICS INC.**, Seoul (KR)

(**) Term: **15 Years**

(21) Appl. No.: **35/504,040**

(22) Filed: **May 25, 2017**

(80) **Hague Agreement Data**

Int. Filing Date: **May 25, 2017**
Int. Reg. No.: **DM/096323**
Int. Reg. Date: **May 25, 2017**
Int. Reg. Pub. Date: **Dec. 1, 2017**

(30) **Foreign Application Priority Data**

Nov. 25, 2016 (KR) 30-2016-0056920

(51) **LOC (11) Cl.** **14-03**

(52) **U.S. Cl.**
USPC **D14/126**

(58) **Field of Classification Search**

USPC D14/125-134, 136, 159, 239, 336, 342,
D14/371, 374-377, 440, 448, 450;
D21/329, 515, 577, 622
CPC ... G06F 1/1601; G06F 1/1643; H05K 5/0004;
H05K 5/0017; H05K 5/02; H05K 5/0217
See application file for complete search history.

(56) **References Cited**

U.S. PATENT DOCUMENTS

D604,297 S * 11/2009 Andre D14/341
7,697,281 B2 * 4/2010 Dabov G06F 1/1626
361/679.55

D710,815 S * 8/2014 Kim D14/138 G
D719,124 S * 12/2014 Kim D14/138 AD
D738,871 S * 9/2015 Ryu D14/138 C
D739,367 S * 9/2015 Choi D14/138 C
9,270,808 B2 * 2/2016 Chan H04M 1/0254
D767,524 S * 9/2016 Geng D14/138 G
D771,619 S * 11/2016 Akana D14/341
D772,852 S * 11/2016 Choe D14/138 C
D784,315 S * 4/2017 Ryu D14/248
D784,324 S * 4/2017 Akana D14/341
D786,815 S * 5/2017 Park D14/138 G
D791,098 S * 7/2017 Park D14/138 G
D792,864 S * 7/2017 Kim D14/138 C
D797,722 S * 9/2017 Lee D14/341
D798,258 S * 9/2017 Park D14/138 AB
D800,710 S * 10/2017 Ryu D14/248
D815,633 S * 4/2018 Akana D14/341

* cited by examiner

Primary Examiner — Karen E Kearney
Assistant Examiner — Bao-Yen T Nguyen
(74) *Attorney, Agent, or Firm* — Birch, Stewart, Kolasch & Birch, LLP

(57) **CLAIM**

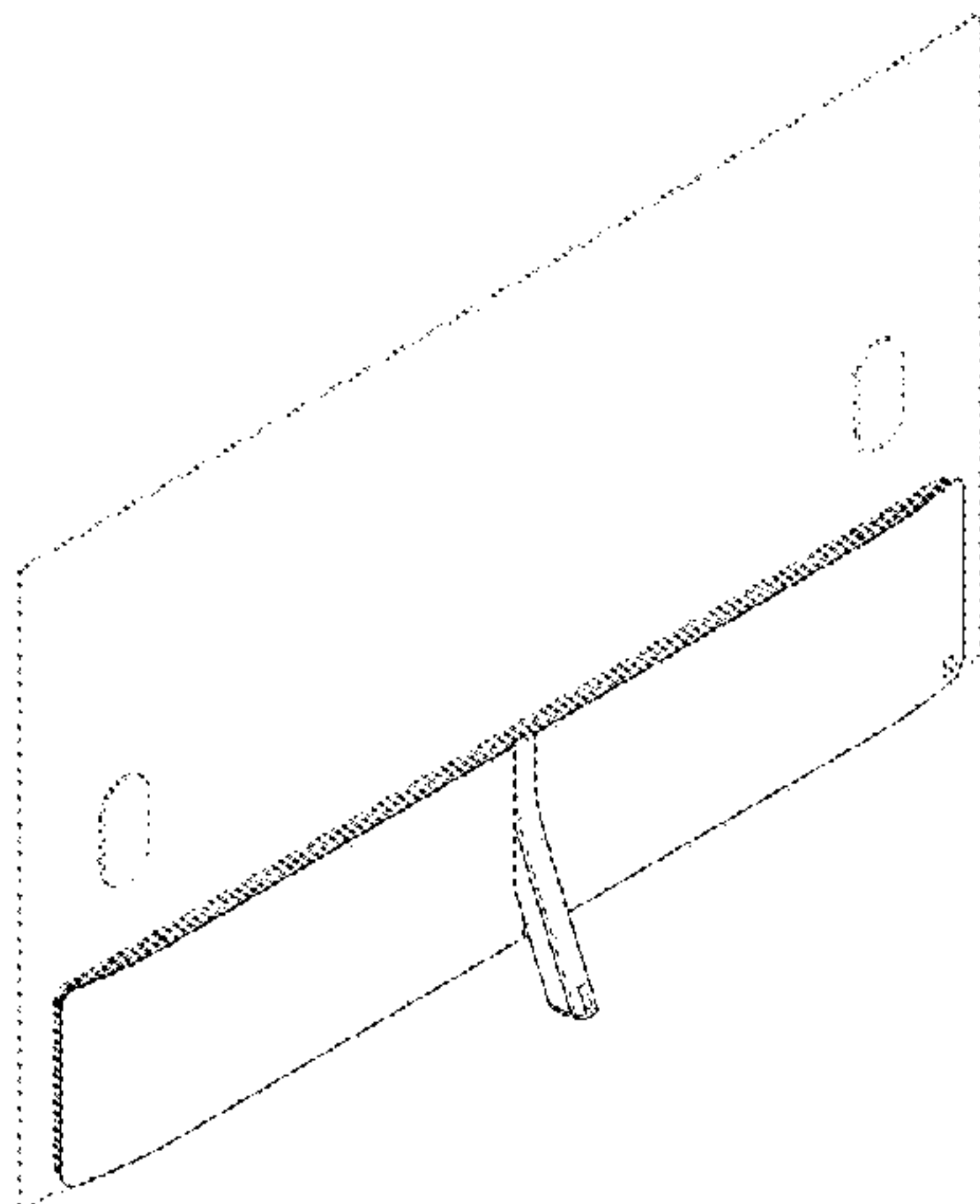
The ornamental design for a television, as shown and described.

DESCRIPTION

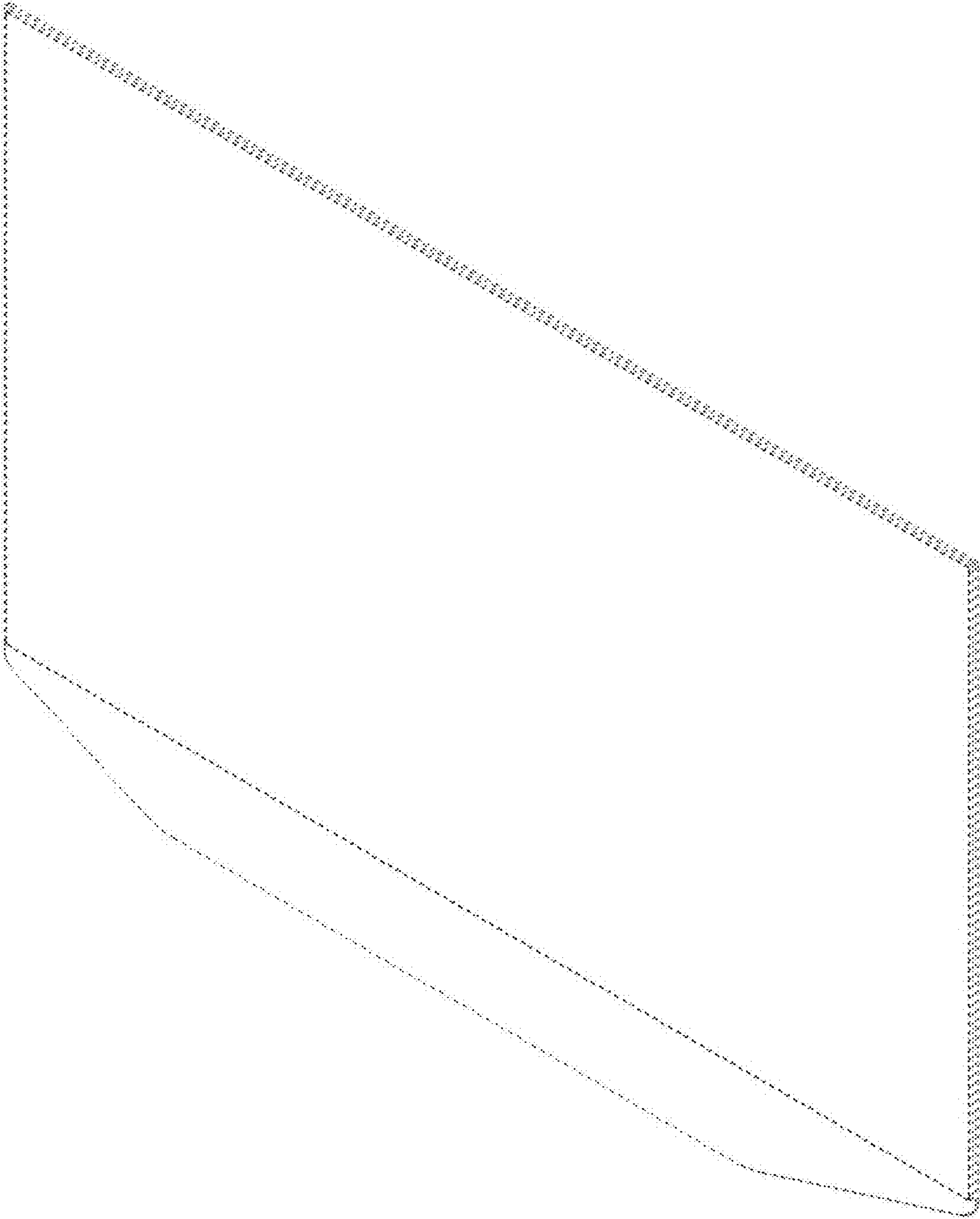
- 1. Television
- 1.1 : Perspective
- 1.2 : Rear perspective
- 1.3 : Front
- 1.4 : Back
- 1.5 : Left
- 1.6 : Right
- 1.7 : Top
- 1.8 : Bottom

The broken lines illustrate portions of the television and form no part of the claimed design.

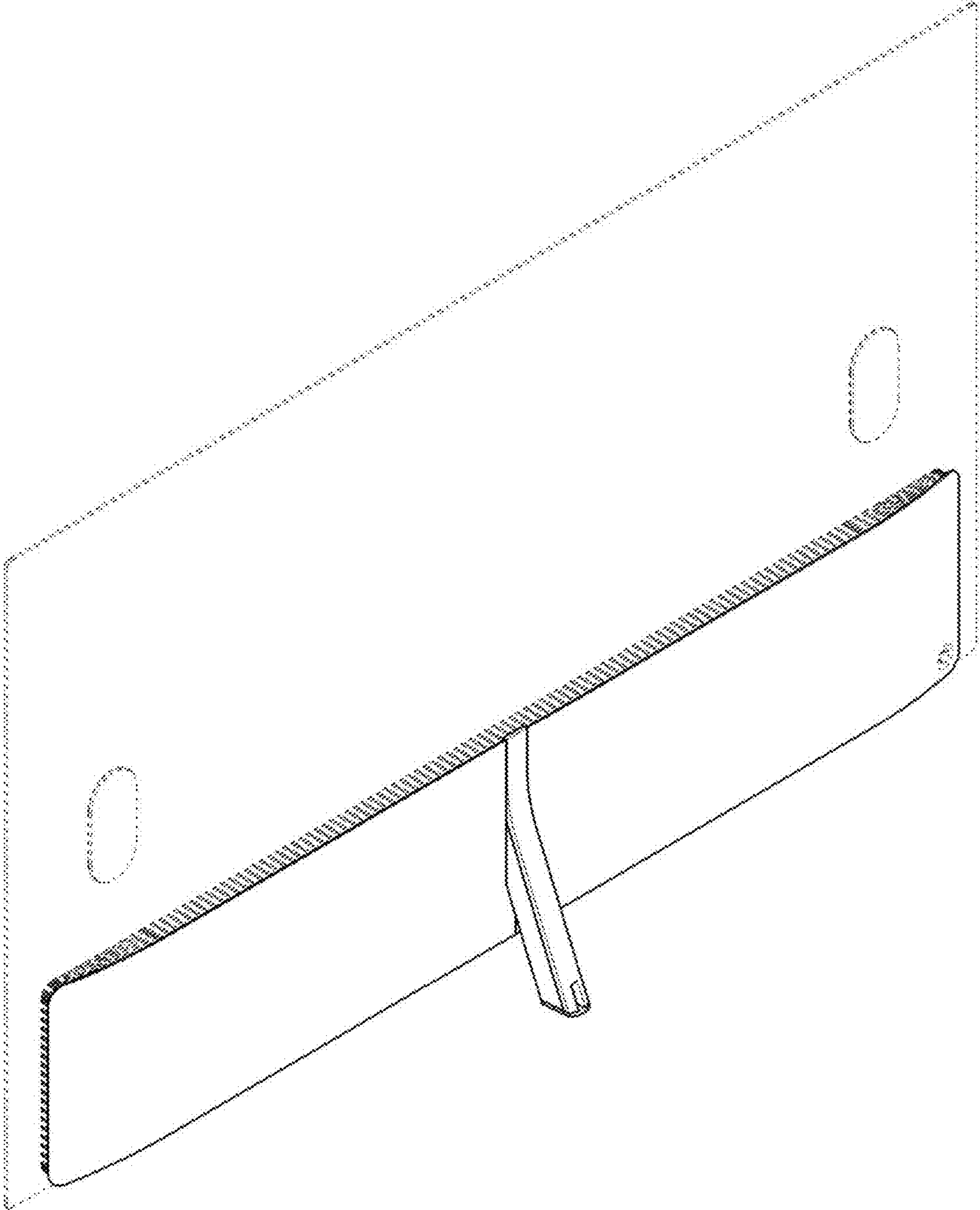
1 Claim, 8 Drawing Sheets



1.1



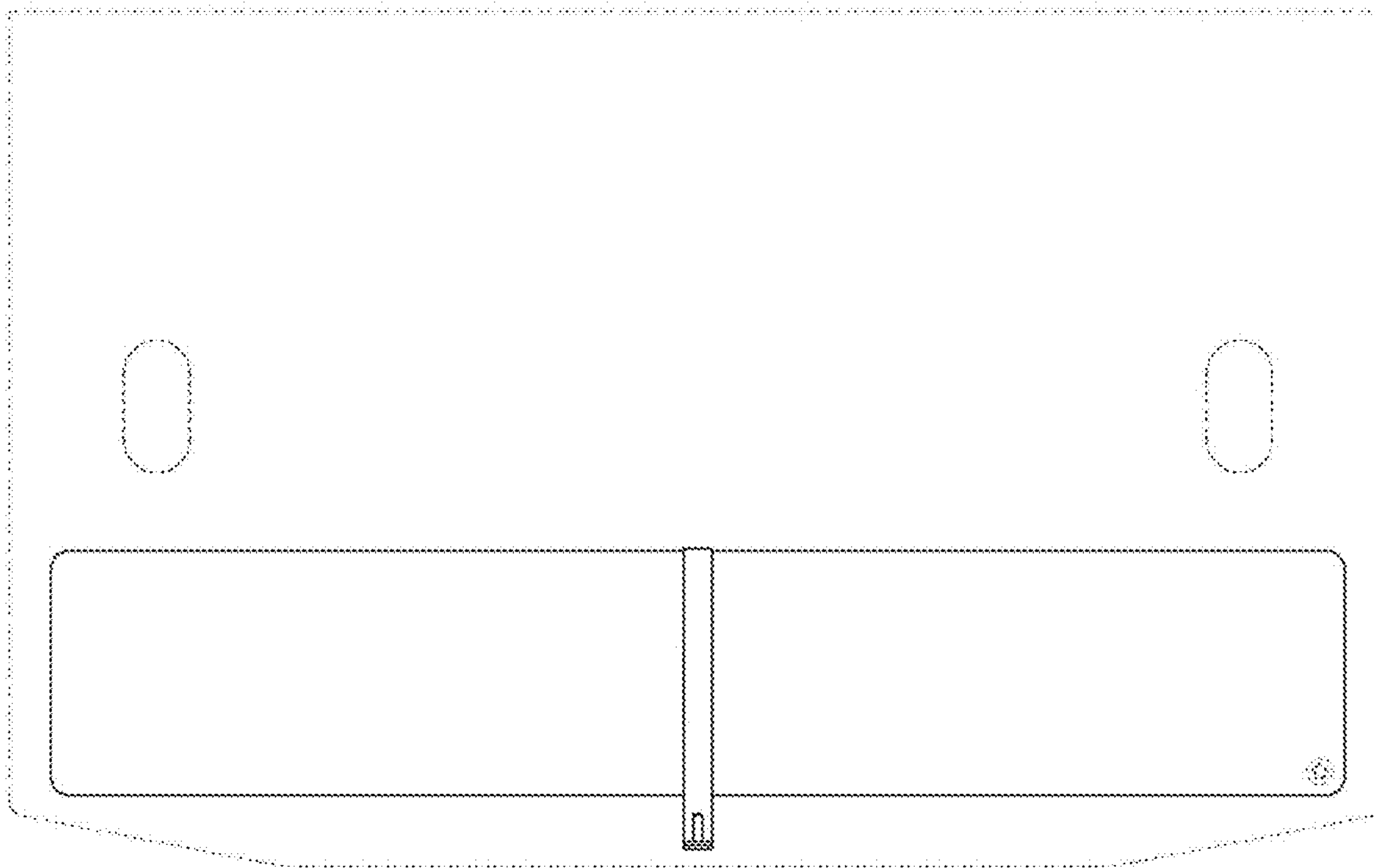
1.2



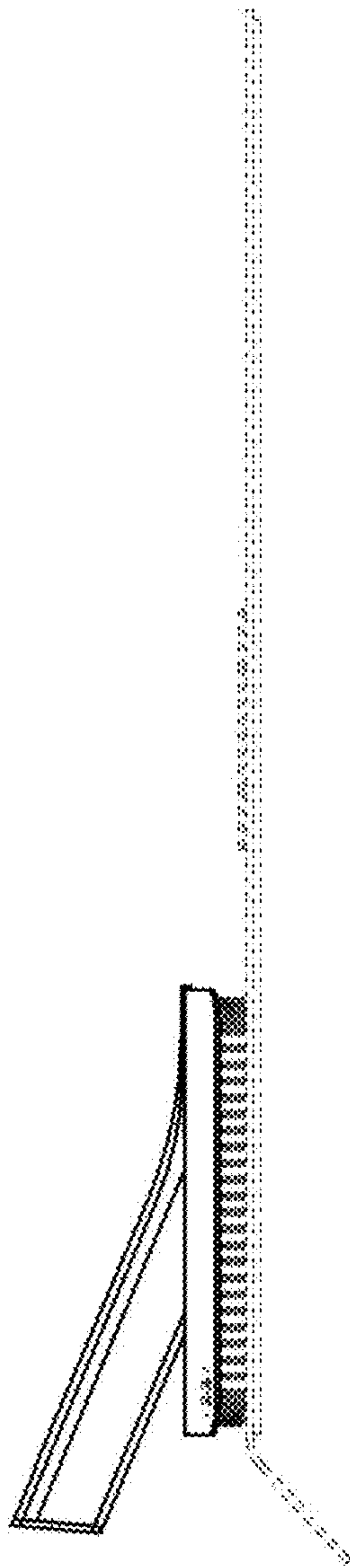
1.3



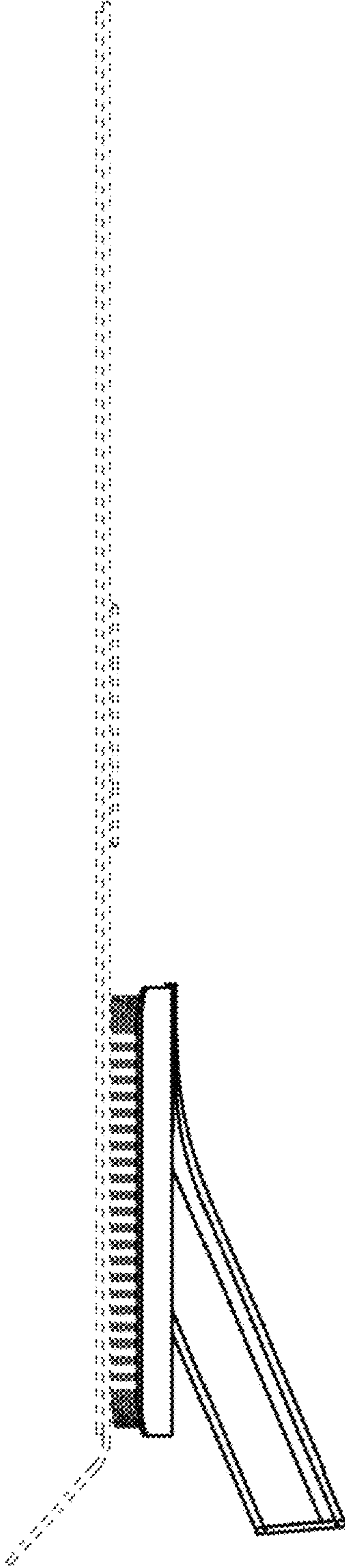
1.4



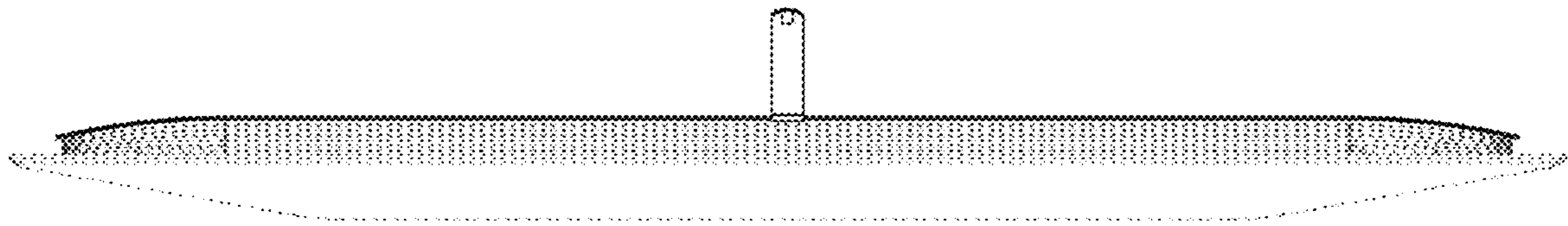
1.5



1.6



1.7



1.8

