



US00D848960S

(12) **United States Design Patent**
Fan et al.

(10) **Patent No.:** **US D848,960 S**
(45) **Date of Patent:** **** May 21, 2019**

(54) **WATER COOLING RADIATOR**
(71) Applicant: **AURAS Technology Co., Ltd.**, New Taipei (TW)
(72) Inventors: **Mu-Shu Fan**, New Taipei (TW);
Che-Chia Chang, New Taipei (TW);
Yi-Wun Chen, New Taipei (TW)
(73) Assignee: **AURAS TECHNOLOGY CO., LTD.**, New Taipei (TW)
(**) Term: **15 Years**
(21) Appl. No.: **29/634,391**

(22) Filed: **Jan. 22, 2018**
(30) **Foreign Application Priority Data**
Nov. 10, 2017 (TW) 106306602
(51) **LOC (11) Cl.** **13-03**
(52) **U.S. Cl.**
USPC **D13/179**
(58) **Field of Classification Search**
USPC D13/179, 182; D15/199; D26/138, 141,
D26/152, 142, 63; D14/435, 436, 447;
D23/330
CPC ... H01L 23/473; H01L 23/4735; H01L 23/46;
H01L 23/467; H01L 23/4006; H01L
23/427; H01L 23/3672; F28D 15/00;
F28D 15/02; F28D 15/0275; F28D 3/02;
G06F 1/20; G06F 2200/201; F28F 1/025;
F28F 1/325; H05K 7/20263; H05K
7/20272; H05K 7/20281
See application file for complete search history.

(56) **References Cited**
U.S. PATENT DOCUMENTS
D235,067 S * 5/1975 Rasmussen D23/330
D571,314 S * 6/2008 Horng D13/179

D574,790 S * 8/2008 Song D13/179
D694,199 S * 11/2013 Lin D13/179
D722,577 S * 2/2015 Zimmer D13/179
D777,123 S * 1/2017 Yensen D13/182
D777,124 S * 1/2017 Hasegawa D13/182
D829,673 S * 10/2018 Mira D13/179
2007/0246205 A1 * 10/2007 Lee F28F 3/048
165/170
2008/0006393 A1 * 1/2008 Grimm H05K 7/20172
165/84
2010/0128431 A1 * 5/2010 Eriksen G06F 1/20
361/679.47
2012/0103575 A1 * 5/2012 Tang H01L 23/473
165/104.31
2013/0146254 A1 * 6/2013 Jeon H05K 7/20927
165/104.11

(Continued)

OTHER PUBLICATIONS

CoolIT, "Closed-Loop DCLC", Cached version dated Nov. 10, 2017. (<https://www.coolitsystems.com/closed-loop-dclc/>) (Year: 2017).*
(Continued)

Primary Examiner — Jennifer Rivard
Assistant Examiner — April Rivas
(74) *Attorney, Agent, or Firm* — WPAT, PC

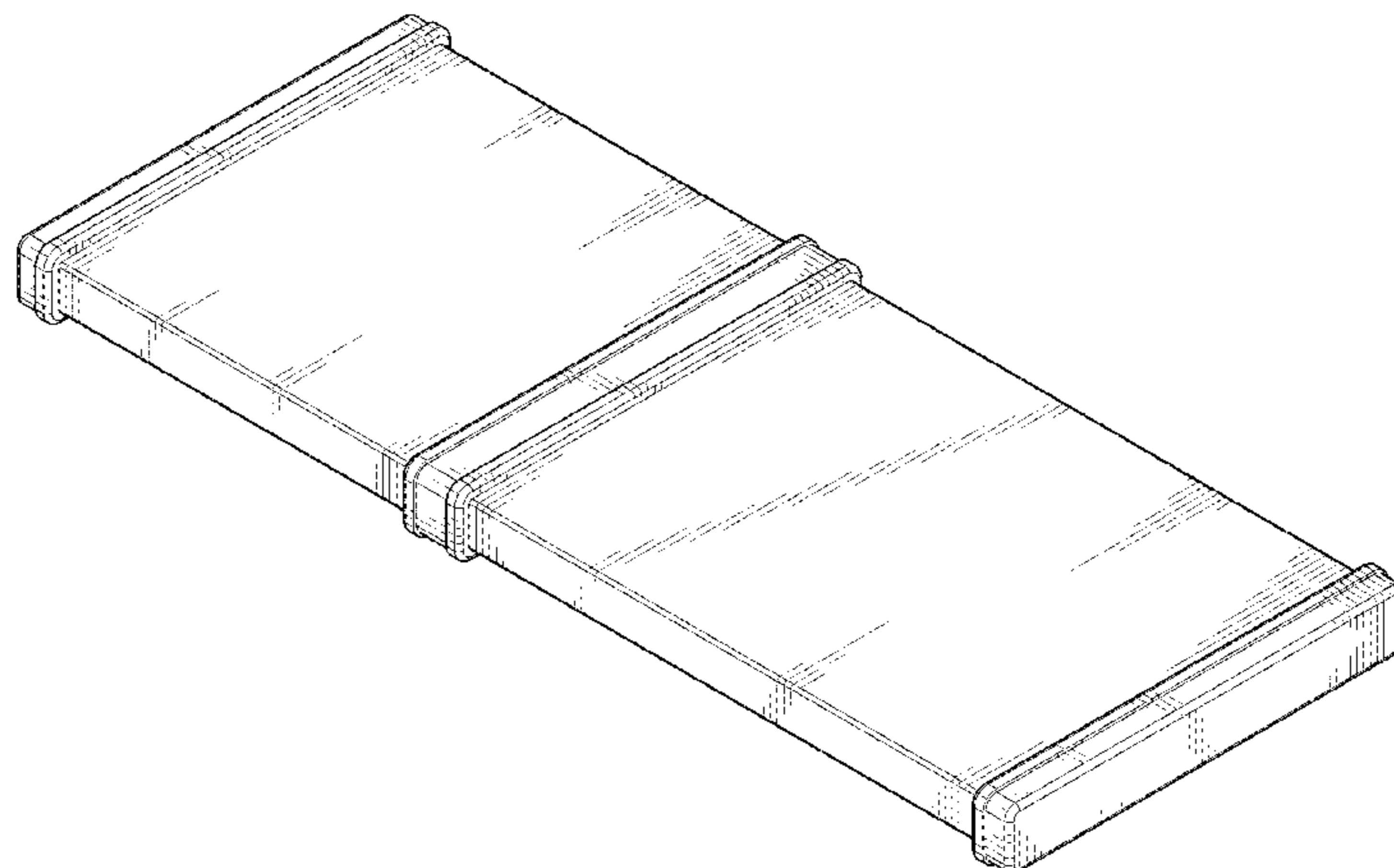
(57) **CLAIM**

The ornamental design for a water cooling radiator, as shown and described in the drawings.

DESCRIPTION

FIG. 1 is a perspective view of the water cooling radiator showing my new design.
FIG. 2 is a front view thereof;
FIG. 3 is a back view thereof;
FIG. 4 is a left view thereof;
FIG. 5 is a right view thereof;
FIG. 6 is a top view thereof; and,
FIG. 7 is a bottom view thereof.

1 Claim, 5 Drawing Sheets



(56)

References Cited

U.S. PATENT DOCUMENTS

2014/0008039 A1* 1/2014 Liu F28D 15/00
165/104.13
2016/0234967 A1* 8/2016 Choi H05K 7/20918
2016/0366788 A1* 12/2016 Liao H05K 7/20272
2017/0030493 A1* 2/2017 Han H01L 23/473
2017/0186667 A1* 6/2017 Choudhury H01L 23/473
2017/0257979 A1* 9/2017 Wu H05K 7/20263
2017/0367217 A1* 12/2017 Xiao H05K 7/20272
2018/0092246 A1* 3/2018 Chiu F28F 1/24
2018/0114738 A1* 4/2018 Mitsui H01L 23/467
2018/0269131 A1* 9/2018 Na H01L 23/4006

OTHER PUBLICATIONS

Amazon, "NZXT Kraken X61 280mm All-in-One CPU Liquid Cooling System", First on sale Jun. 16, 2014. (<https://www.amazon.com/Kraken-Liquid-Cooling-System-RL-KRX61-01/dp/B00L0YLJG>) (Year: 2014).*

Amazon, "EKWB EK-CoolStream SE 280 Radiator, Slim Dual, Black", First on sale Oct. 13, 2017. (<https://www.amazon.com/EKWB-EK-CoolStream-Radiator-Slim-Black/dp/B076FFMR7Y/>) (Year: 2017).*

* cited by examiner

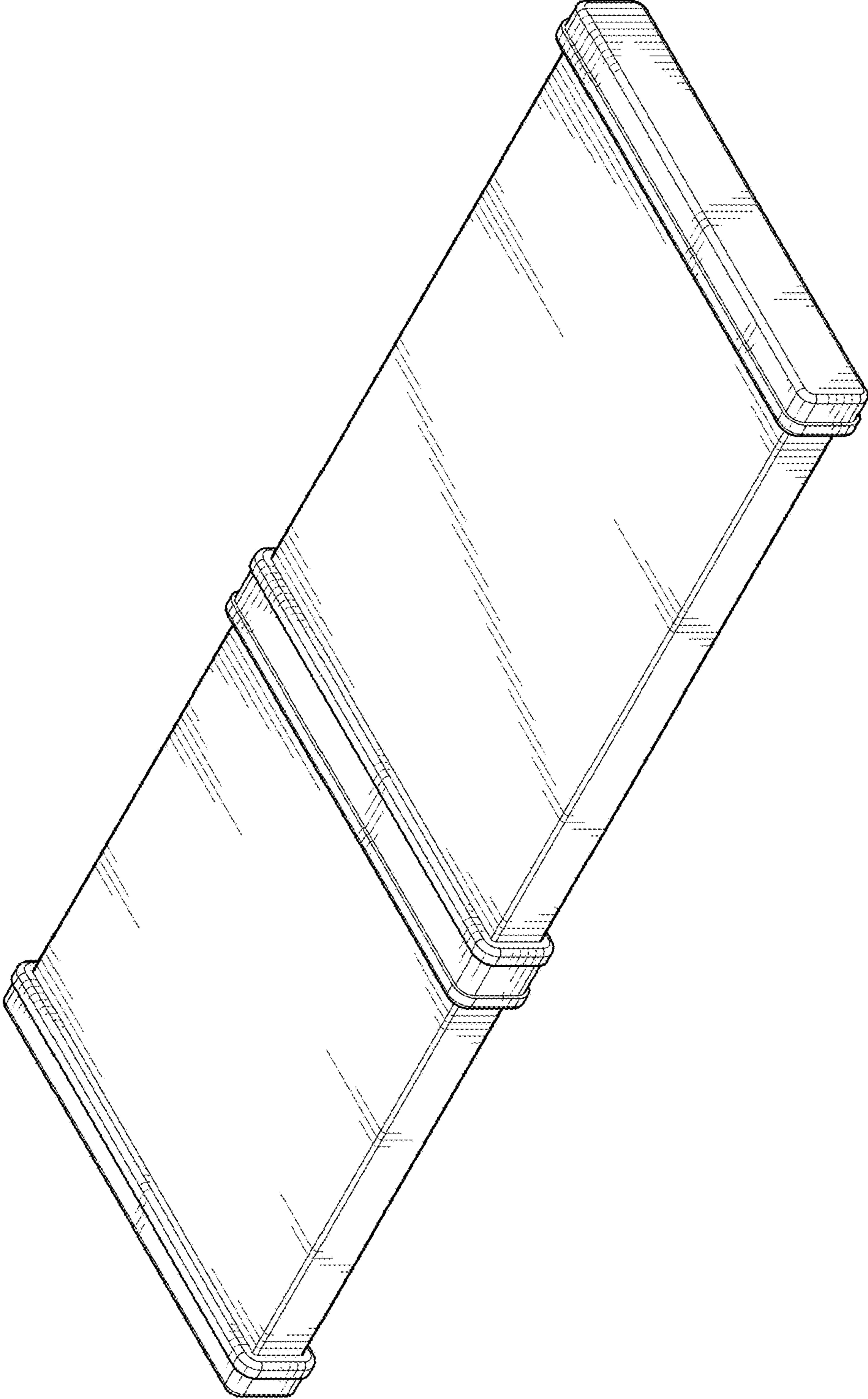


FIG. 1

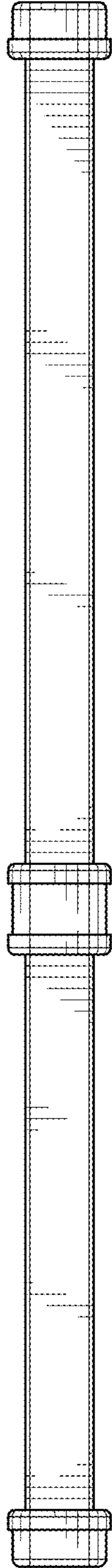


FIG. 2

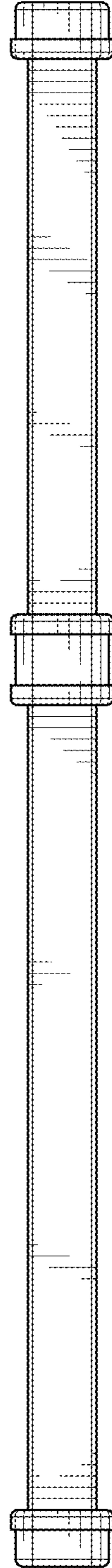


FIG. 3

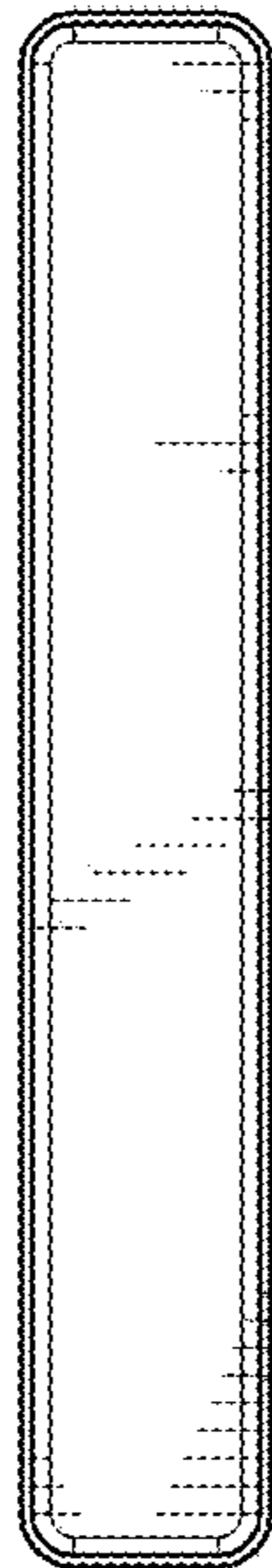


FIG. 4

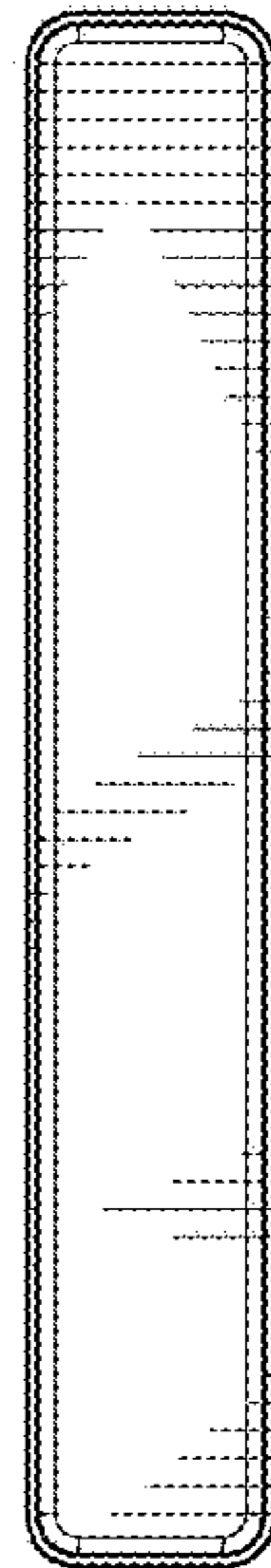


FIG. 5

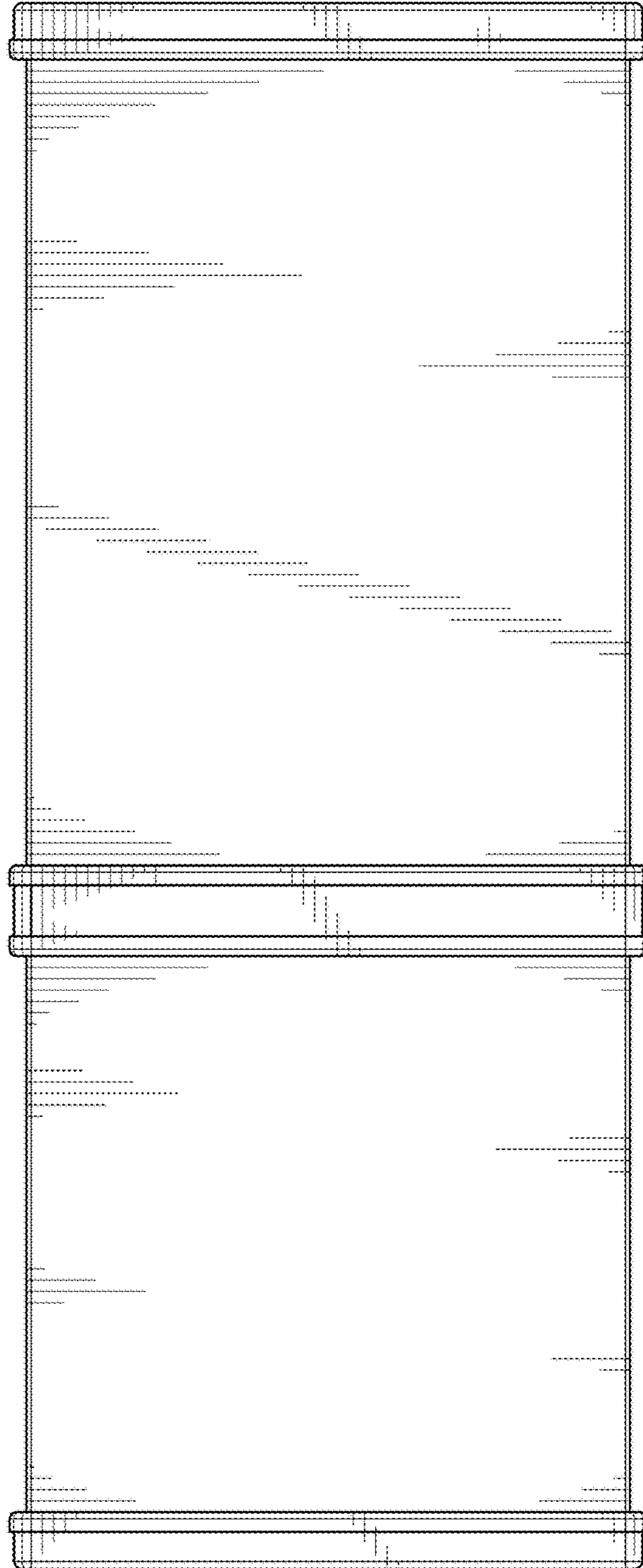


FIG. 6

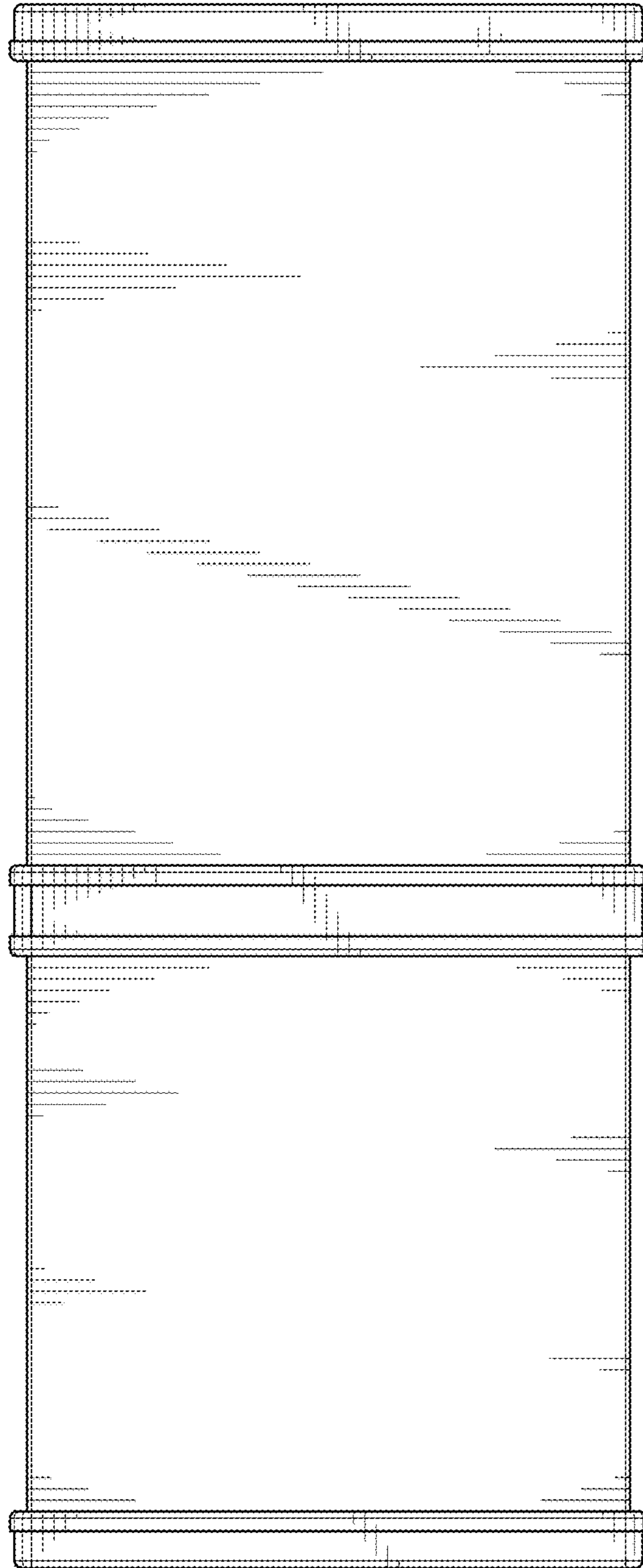


FIG. 7