



US00D848957S

(12) **United States Design Patent**  
**Chen**

(10) **Patent No.:** **US D848,957 S**

(45) **Date of Patent:** **\*\* May 21, 2019**

(54) **CONTROLLER**

(71) Applicant: **TIMOTION TECHNOLOGY CO., LTD.**, New Taipei (TW)

(72) Inventor: **Yi-Chun Chen**, New Taipei (TW)

(73) Assignee: **TIMOTION TECHNOLOGY CO., LTD.**, New Taipei (TW)

(\*\*) Term: **15 Years**

(21) Appl. No.: **29/643,256**

(22) Filed: **Apr. 5, 2018**

(30) **Foreign Application Priority Data**

Mar. 13, 2018 (CN) ..... 2018 3 0092766

(51) **LOC (11) Cl.** ..... **13-03**

(52) **U.S. Cl.**  
USPC ..... **D13/164**

(58) **Field of Classification Search**  
USPC ..... D13/139.4, 158, 162, 164; D14/305  
CPC .. H01H 3/00; H01H 3/02; H01H 3/04; H01H 3/06; H01H 9/02; H01H 13/02; H01H 13/04; H01H 13/10; H01H 13/86; H01H 21/22; H01H 21/24; A47C 1/0345; A47C 1/035; A47B 21/02; A47B 9/00; A61G 13/02; A61G 7/018; G05B 15/02  
See application file for complete search history.

(56) **References Cited**

**U.S. PATENT DOCUMENTS**

4,440,096 A \* 4/1984 Rice ..... A47B 9/04  
108/147  
6,595,144 B1 \* 7/2003 Doyle ..... A47B 9/00  
108/147

8,312,578 B2 \* 11/2012 L'Hegarar ..... A61G 13/02  
180/65.1  
D678,217 S \* 3/2013 Helm ..... D13/162  
D678,847 S \* 3/2013 Helm ..... D13/162  
D689,825 S \* 9/2013 Wenji ..... D13/162  
D740,763 S \* 10/2015 Wenji ..... D13/162  
D820,221 S \* 6/2018 Yang ..... D13/164  
10,028,576 B1 \* 7/2018 Yao ..... A47B 21/02  
D825,493 S \* 8/2018 Chen ..... D13/164  
D833,981 S \* 11/2018 Seal ..... D13/162  
2008/0245279 A1 \* 10/2008 Pan ..... A47B 9/00  
108/144.11  
2013/0199419 A1 \* 8/2013 Hjelm ..... A47B 9/00  
108/20  
2015/0246404 A1 \* 9/2015 Teraoka ..... B23K 3/08  
219/129  
2016/0309889 A1 \* 10/2016 Lin ..... A47B 9/00

\* cited by examiner

*Primary Examiner* — Selina Sikder

(74) *Attorney, Agent, or Firm* — Chuh-Ming Shih; HDLS IPR Services

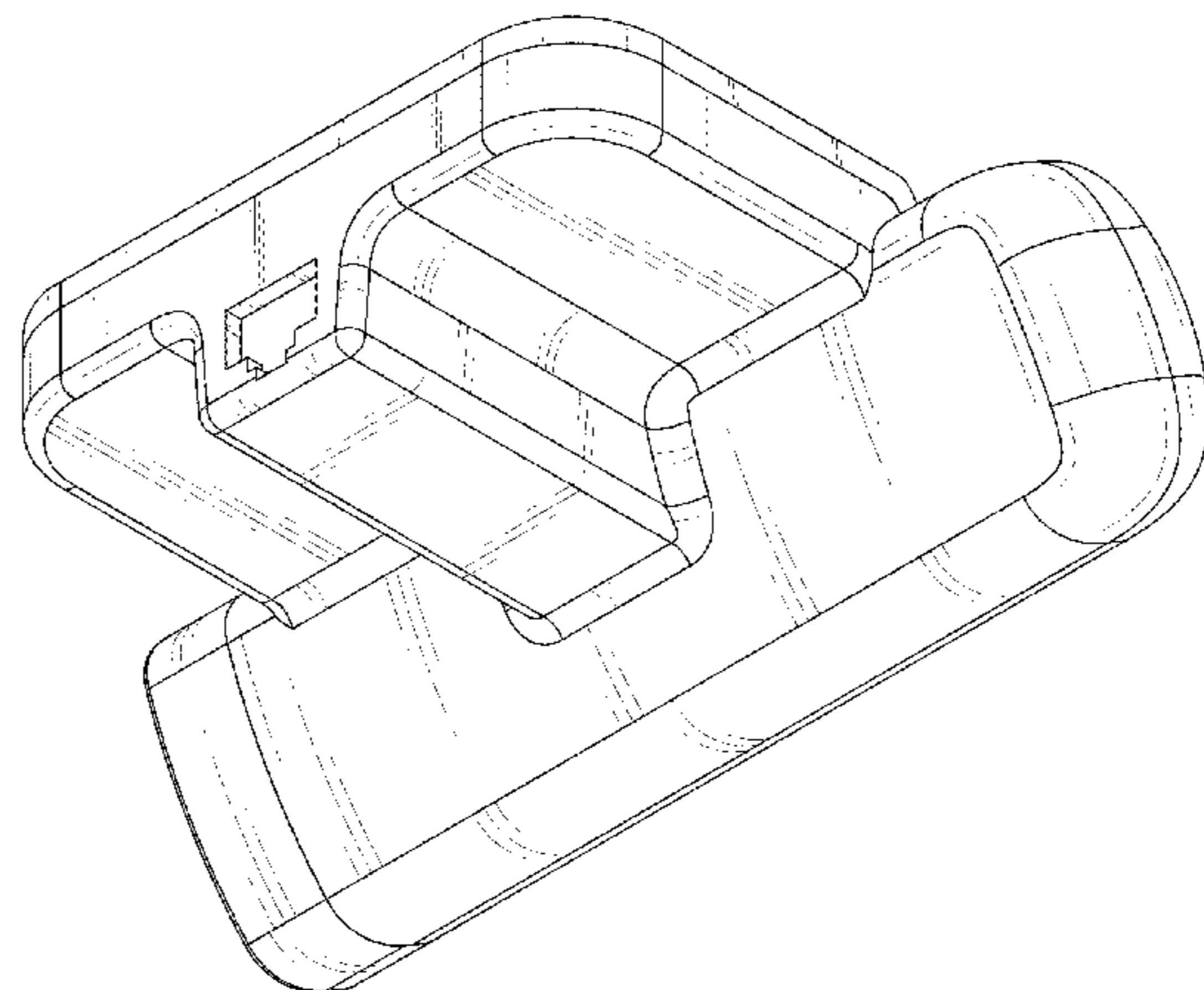
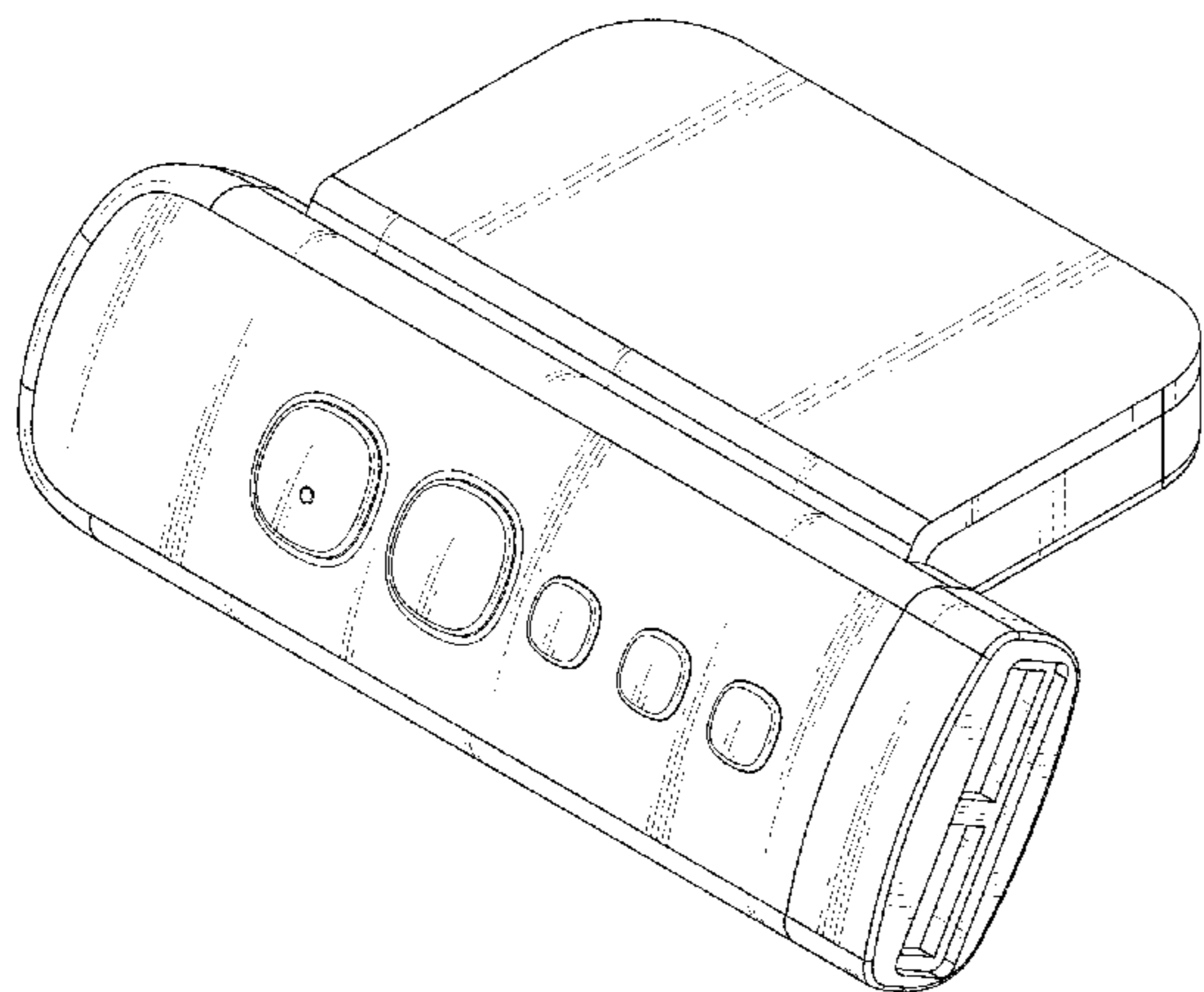
(57) **CLAIM**

The ornamental design for a controller, as shown and described.

**DESCRIPTION**

FIG. 1 is a perspective view of a controller showing my new design;  
FIG. 2 is a front view thereof;  
FIG. 3 is a rear view thereof;  
FIG. 4 is a left side view thereof;  
FIG. 5 is a right side view thereof;  
FIG. 6 is a top view thereof;  
FIG. 7 is a bottom view thereof; and,  
FIG. 8 is second perspective view showing the controller.

**1 Claim, 8 Drawing Sheets**



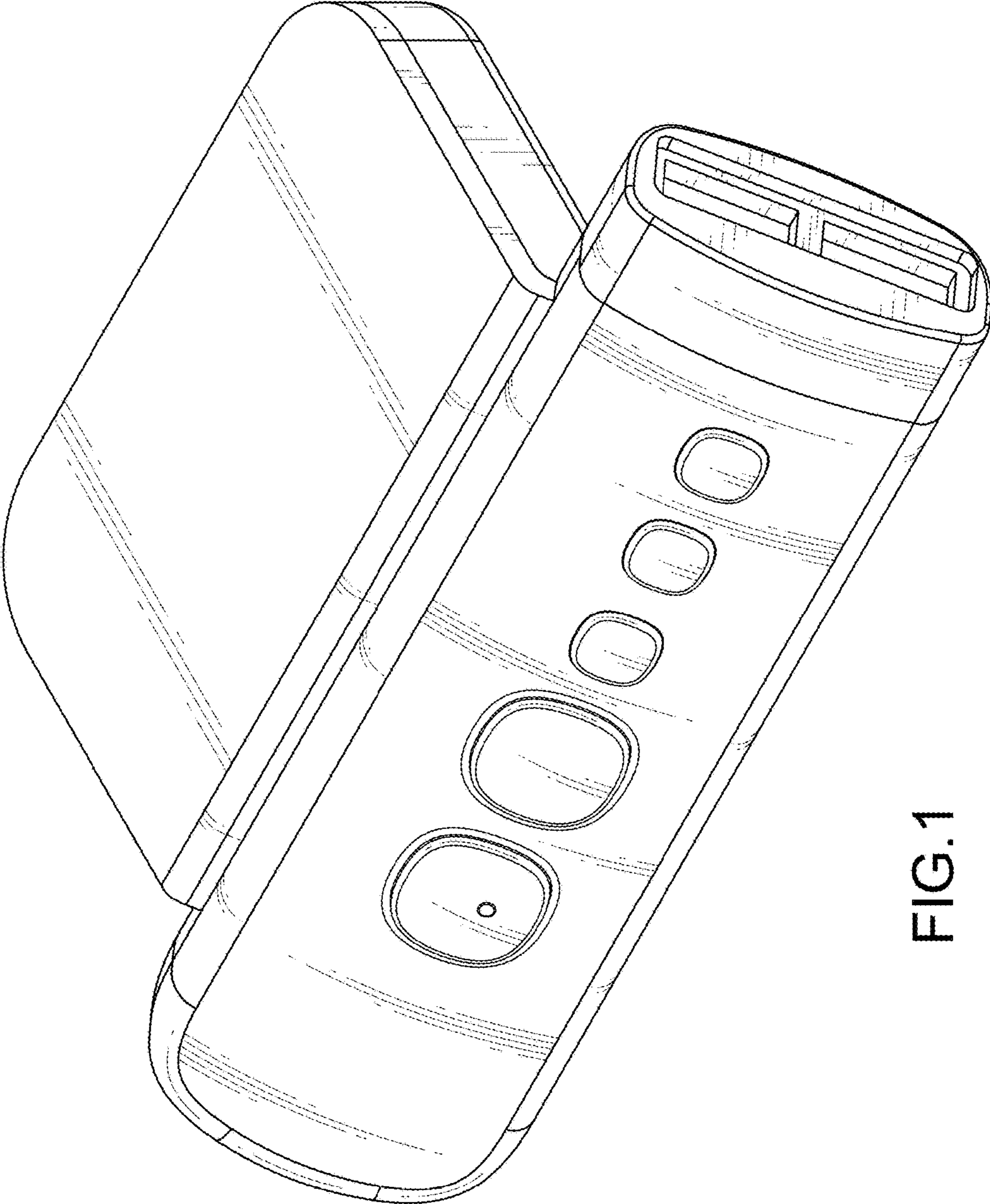


FIG.1

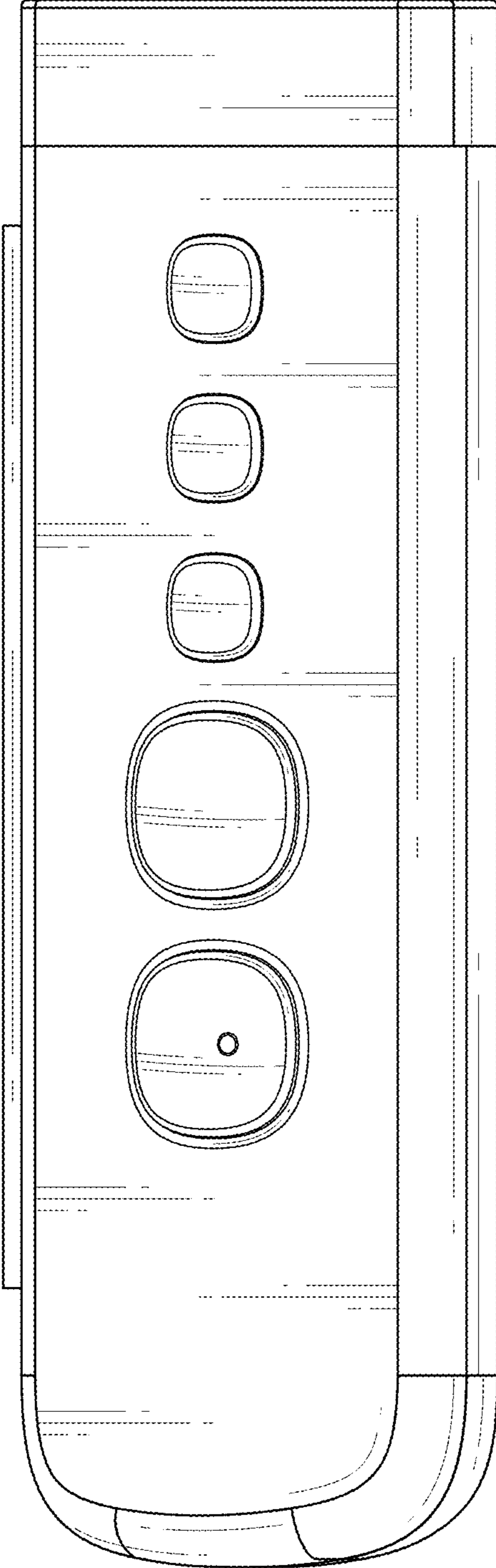


FIG.2

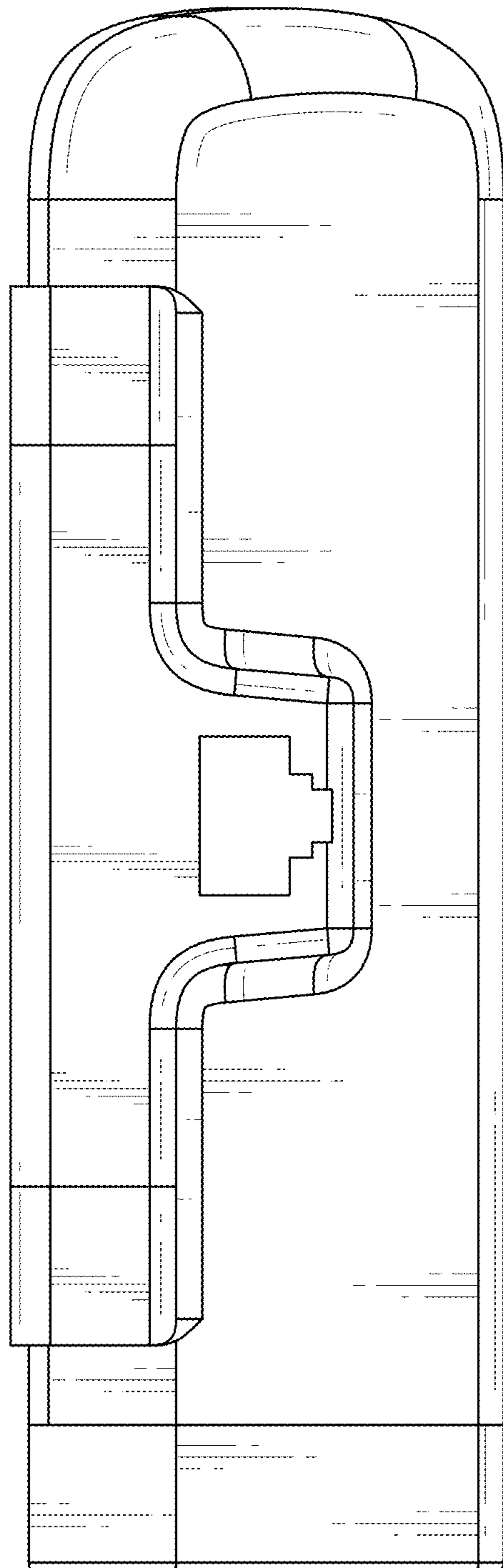


FIG.3

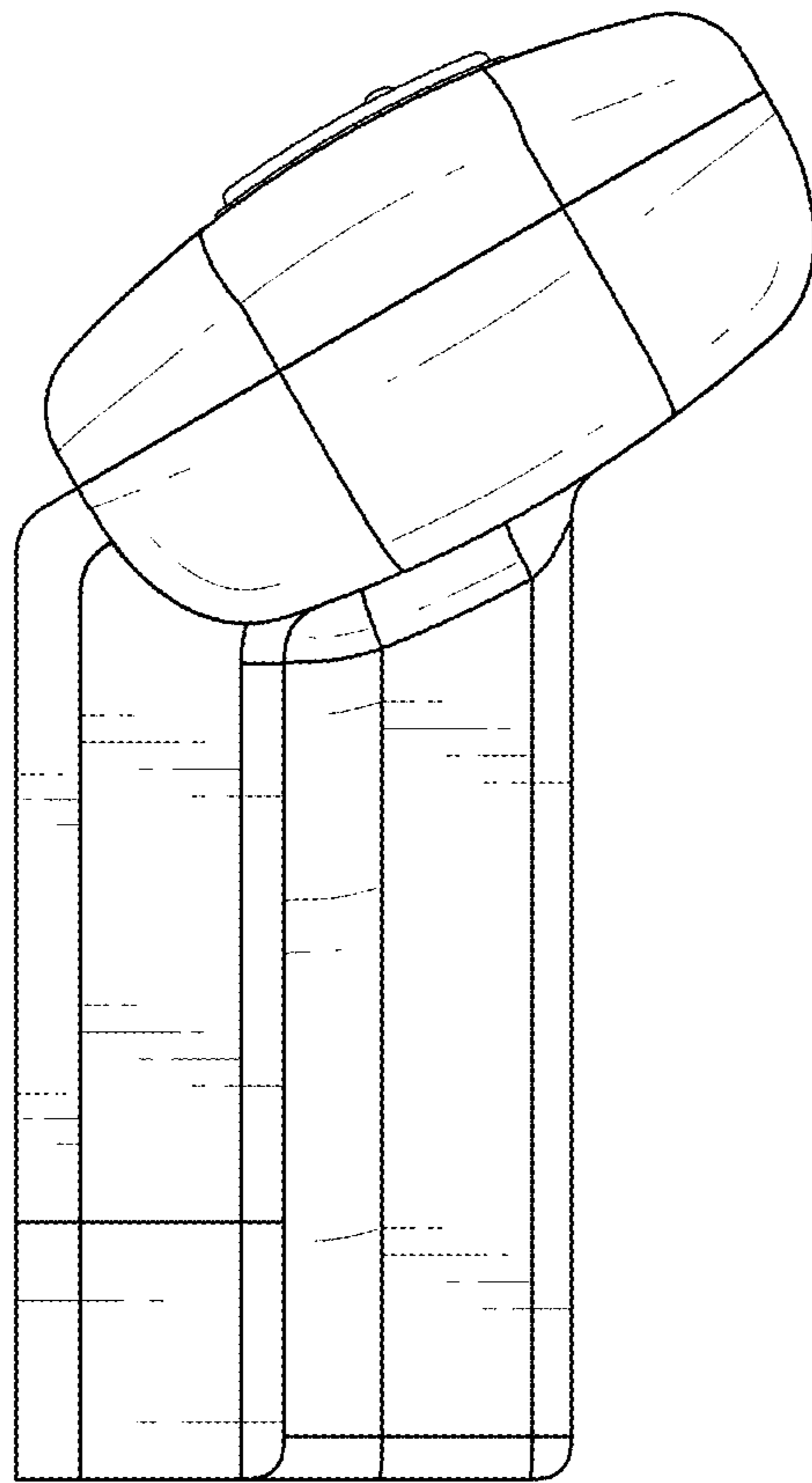


FIG.4



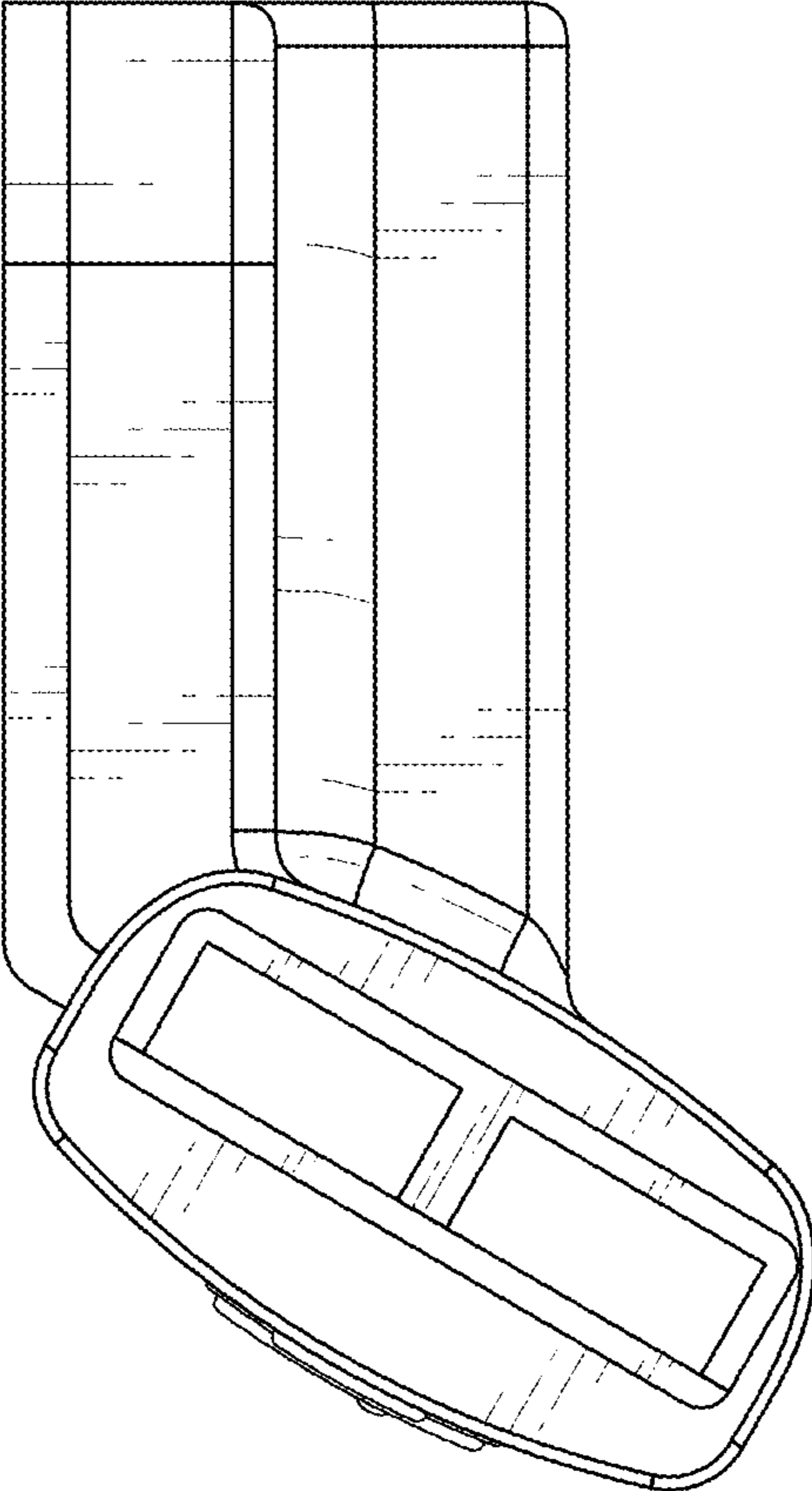


FIG.5

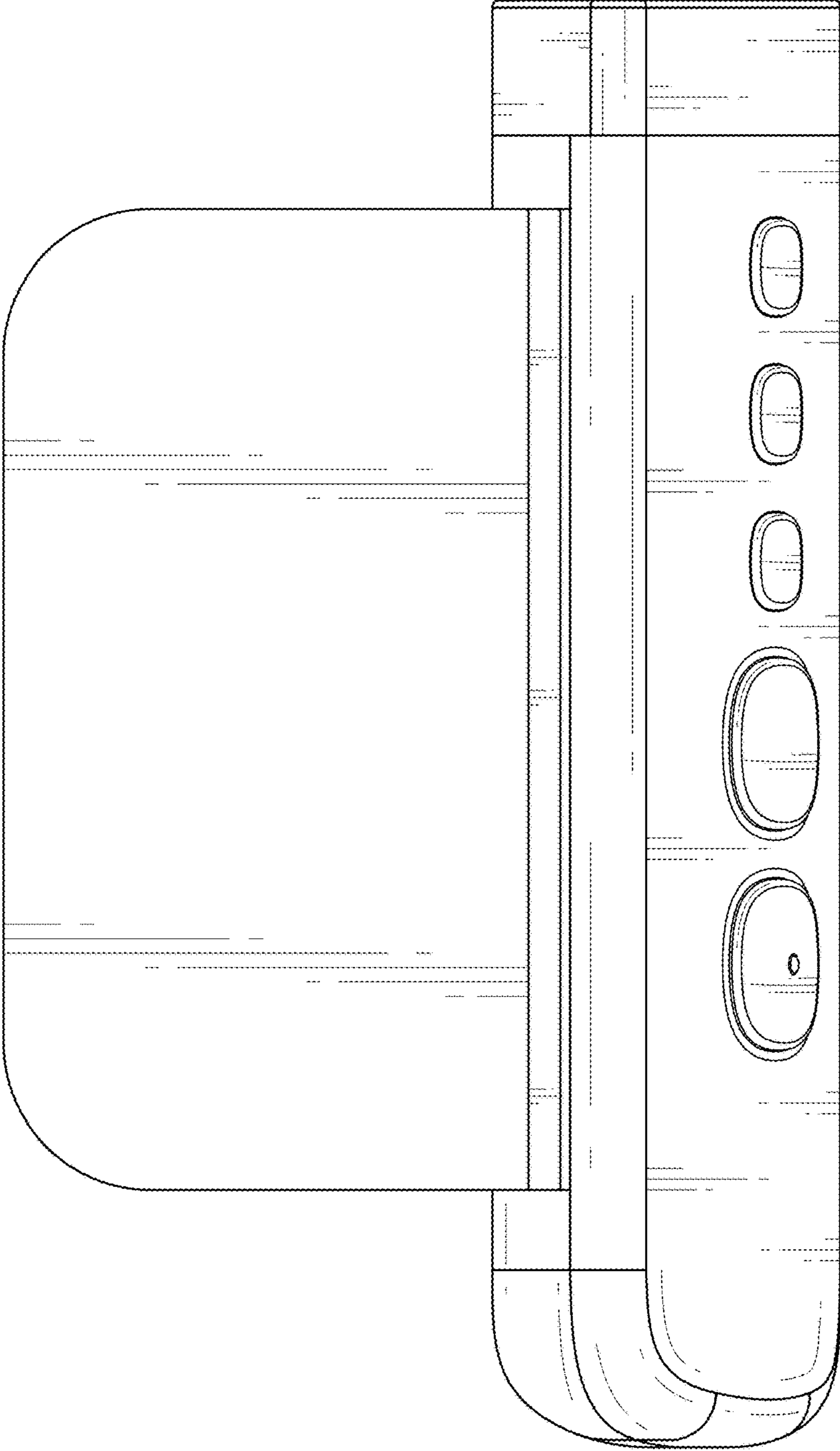


FIG.6

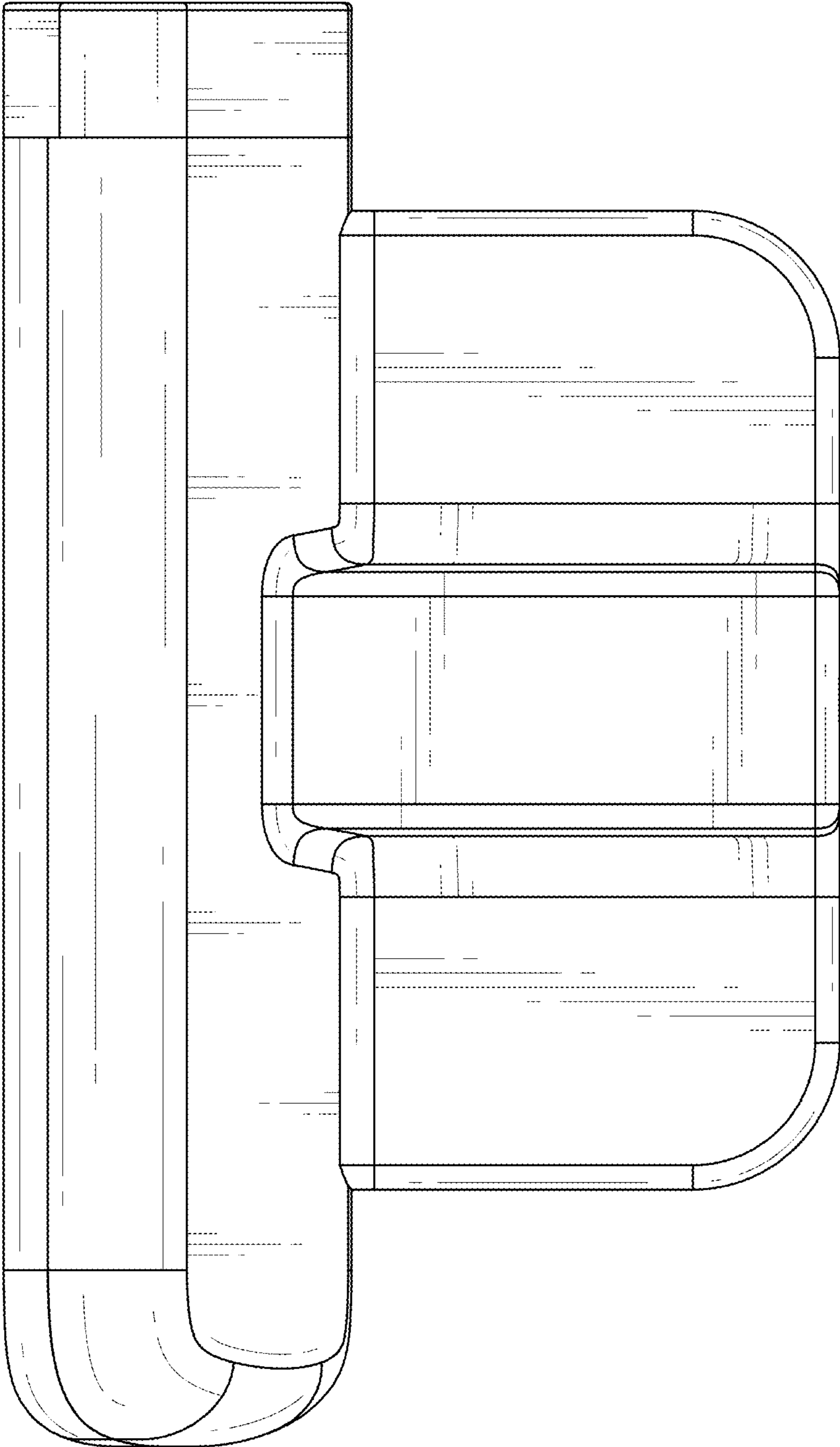


FIG.7



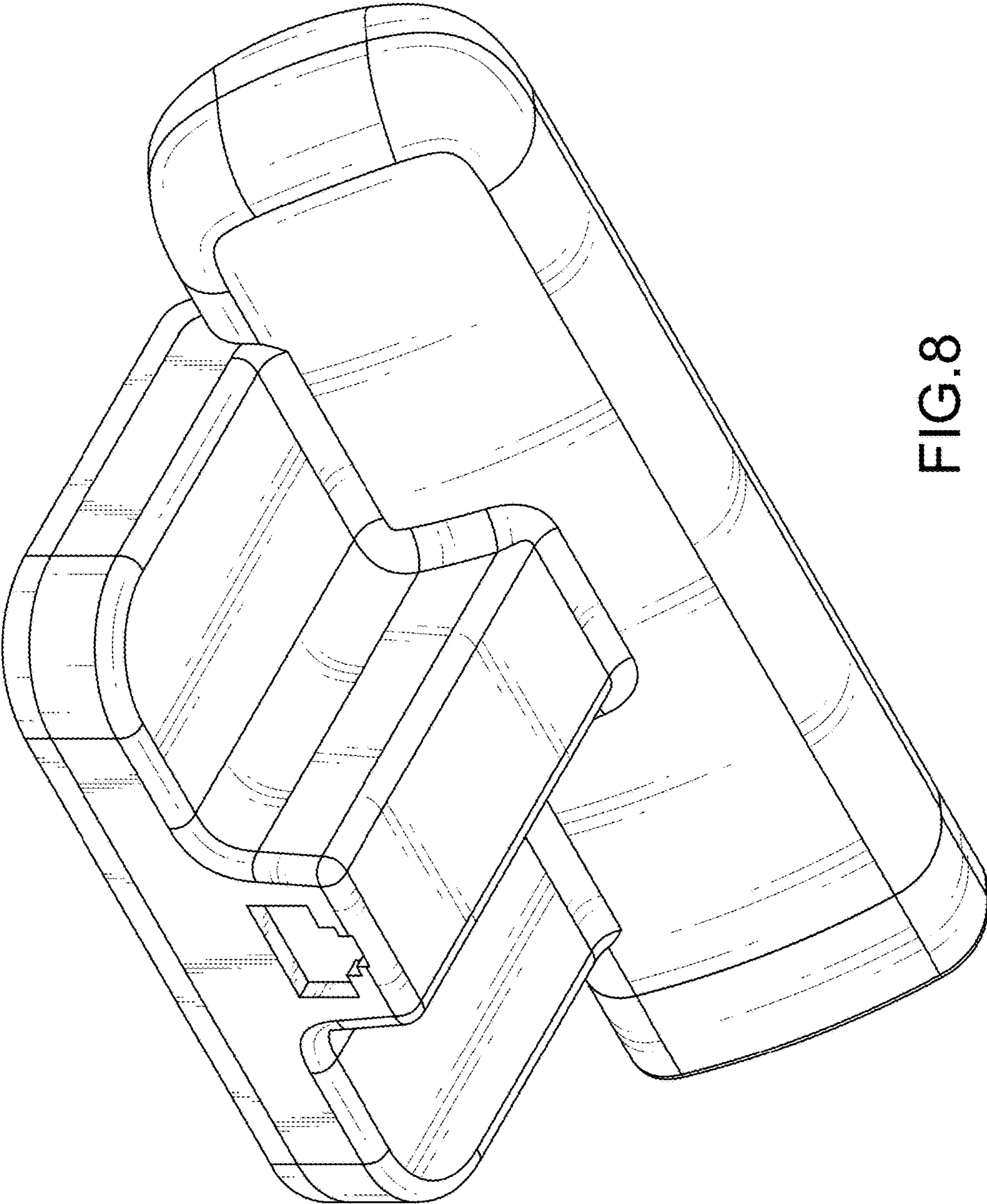


FIG. 8