



US00D848955S

(12) **United States Design Patent** (10) **Patent No.:** **US D848,955 S**  
**Perlaguri et al.** (45) **Date of Patent:** **\*\* May 21, 2019**

(54) **BUSBAR**

- (71) Applicant: **General Electric Company**, Schenectady, NY (US)
- (72) Inventors: **Shreenath Shekar Perlaguri**, Bangalore (IN); **Sarit Ratadiya**, Bangalore (IN); **Jacob Alan Hubbell**, Erie, PA (US); **Mark Allen Murphy**, Erie, PA (US); **Jain Raj Vettuvazhy Puthenpurayil**, Bangalore (IN)
- (73) Assignee: **GE Global Sourcing LLC**, Norwalk, CT (US)
- (\*\*) Term: **15 Years**
- (21) Appl. No.: **29/668,068**
- (22) Filed: **Oct. 26, 2018**

**Related U.S. Application Data**

- (62) Division of application No. 29/625,991, filed on Nov. 14, 2017, now Pat. No. Des. 834,530, which is a division of application No. 29/586,335, filed on Dec. 2, 2016, now Pat. No. Des. 806,039, which is a division of application No. 29/565,997, filed on May 26, 2016, now Pat. No. Des. 784,265, which is a division of application No. 29/524,303, filed on Apr. 20, 2015, now Pat. No. Des. 760,658.
- (51) **LOC (11) Cl.** ..... **13-03**
- (52) **U.S. Cl.**  
USPC ..... **D13/154; D13/147**
- (58) **Field of Classification Search**  
USPC ..... D13/123, 133, 146, 147, 154, 184, 199  
CPC ... H02B 1/20; H02B 1/21; H02B 1/22; H02G 5/00; H02G 5/007; H02G 5/04; H02G 5/06; H02P 27/06; H02M 7/00; H02M 7/44; B60R 16/02; B60R 16/03  
See application file for complete search history.

(56) **References Cited**

**U.S. PATENT DOCUMENTS**

D742,328 S	11/2015	Murphy et al.	
D743,896 S	11/2015	Murphy et al.	
D743,899 S	11/2015	Murphy et al.	
D743,900 S	11/2015	Murphy et al.	
D757,657 S	5/2016	Murphy et al.	
D760,658 S	7/2016	Perlaguri et al.	
D760,660 S	7/2016	Murphy et al.	
D760,663 S	7/2016	Krivosnak et al.	
D784,265 S	4/2017	Perlaguri et al.	
D806,039 S	12/2017	Perlaguri et al.	
D834,530 S *	11/2018	Perlaguri .....	D13/154
2011/0151315 A1	6/2011	Masson et al.	
2011/0235276 A1	9/2011	Hentschel et al.	
2012/0208410 A1	8/2012	Ikeda et al.	
2017/0179866 A1	6/2017	Murphy et al.	

\* cited by examiner

*Primary Examiner* — Daniel D Bui

(74) *Attorney, Agent, or Firm* — McCoy Russell LLP

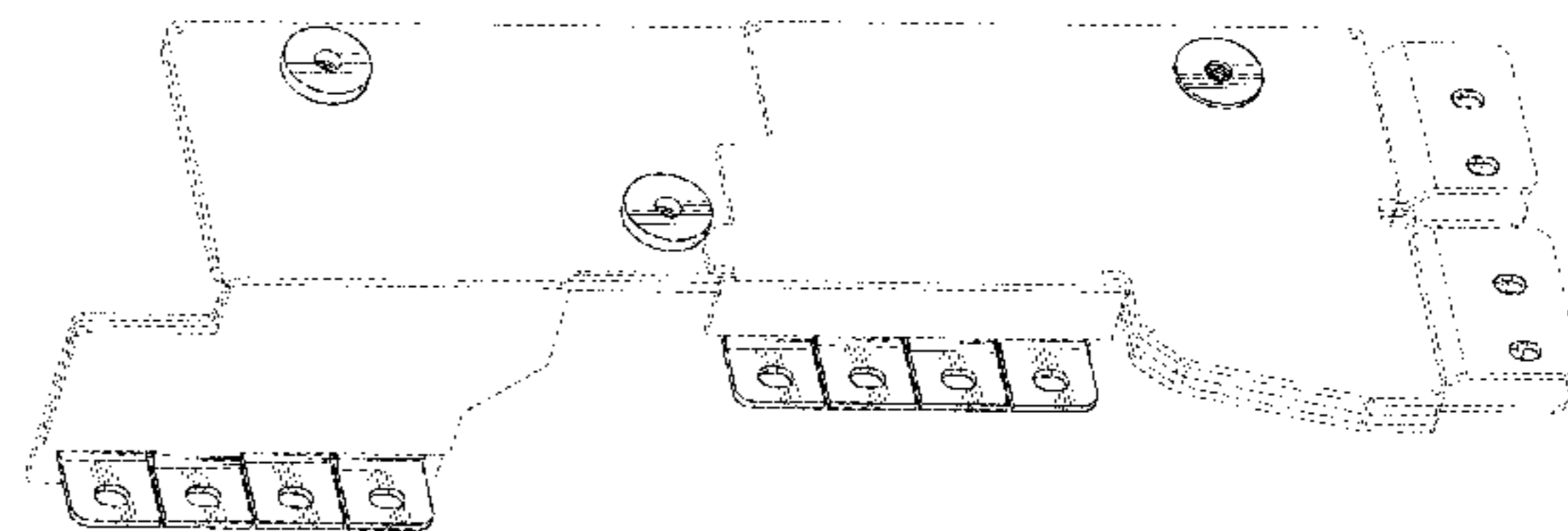
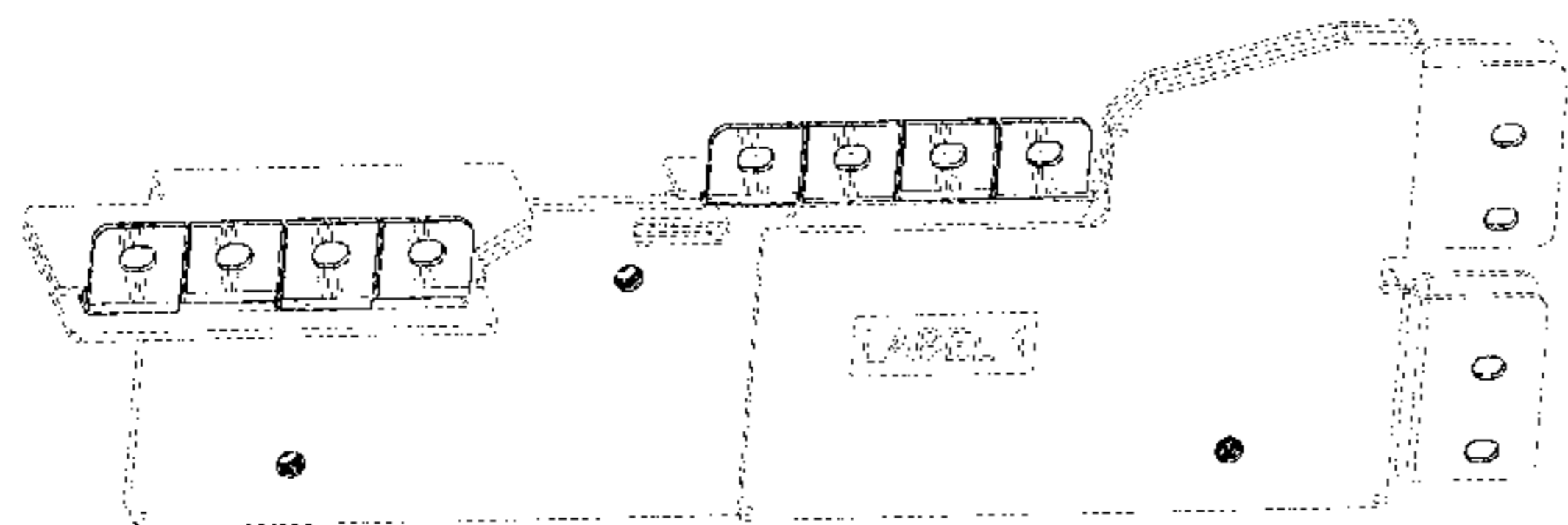
(57) **CLAIM**

The ornamental design for a busbar, as shown and described.

**DESCRIPTION**

FIG. 1 is a front perspective view of a busbar showing our new design;  
 FIG. 2 is a front view thereof;  
 FIG. 3 is a rear view thereof;  
 FIG. 4 is a first end view thereof;  
 FIG. 5 is a second end view thereof;  
 FIG. 6 is a first side view thereof;  
 FIG. 7 is a second side view thereof; and,  
 FIG. 8 is a rear perspective view thereof.  
 The broken line portion of the drawings is included to show unclaimed subject matter only and forms no part of the claimed design.

**1 Claim, 6 Drawing Sheets**



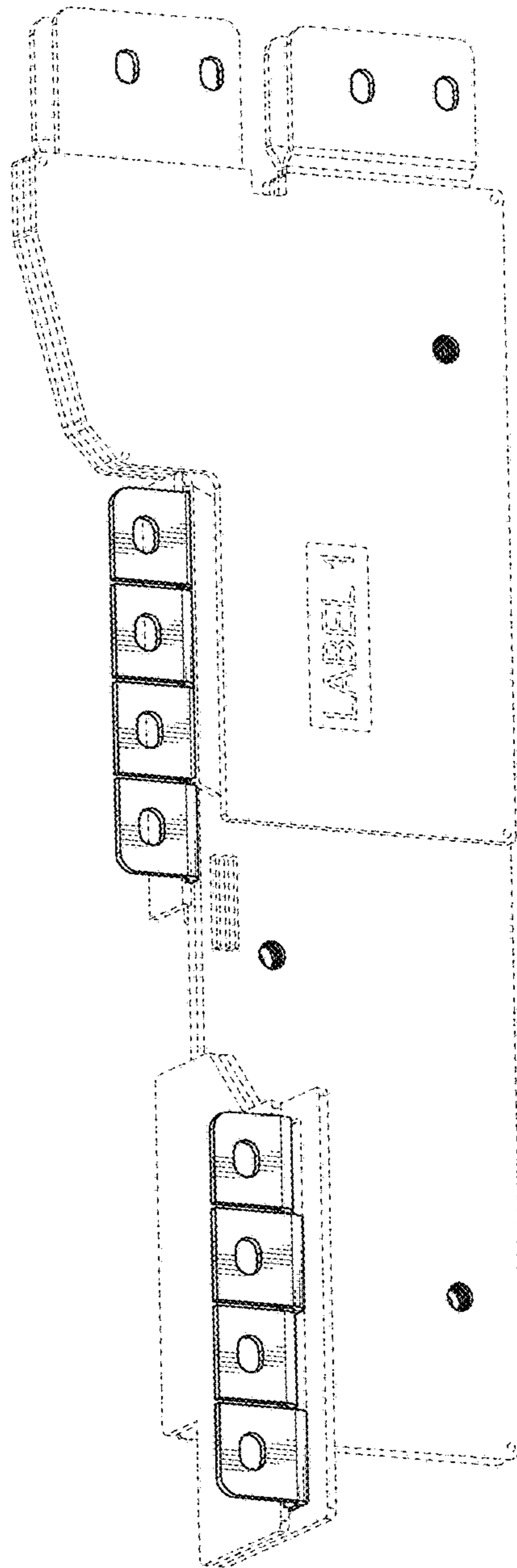


FIG. 1

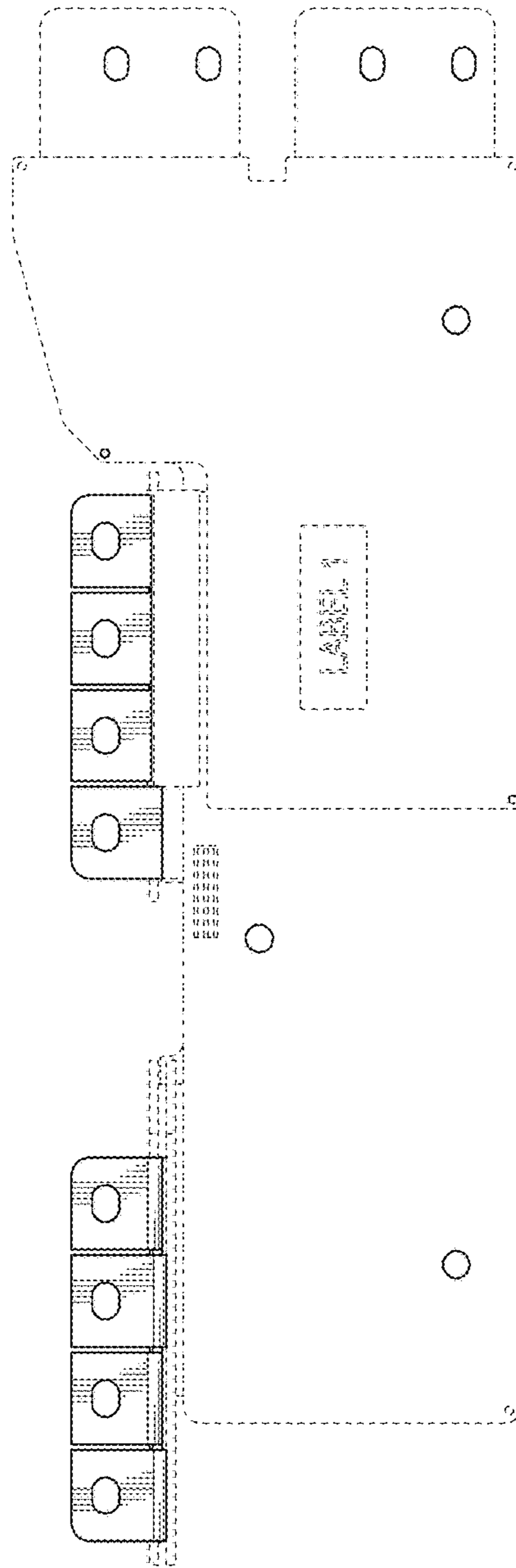


FIG. 2

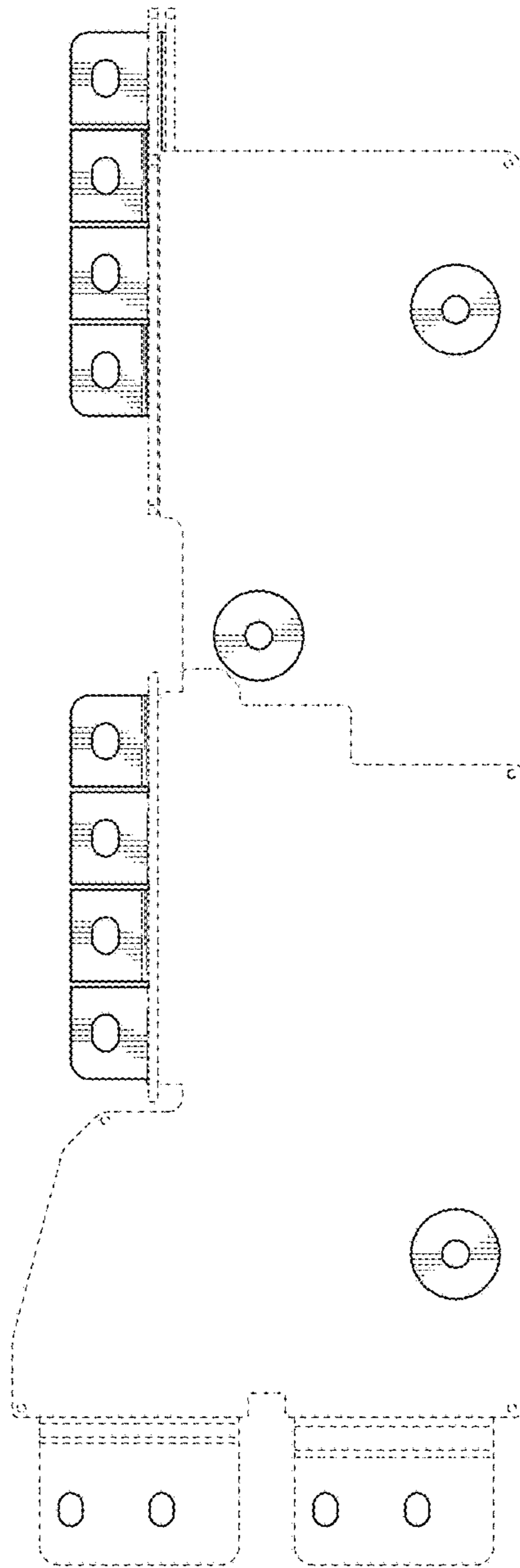


FIG. 3

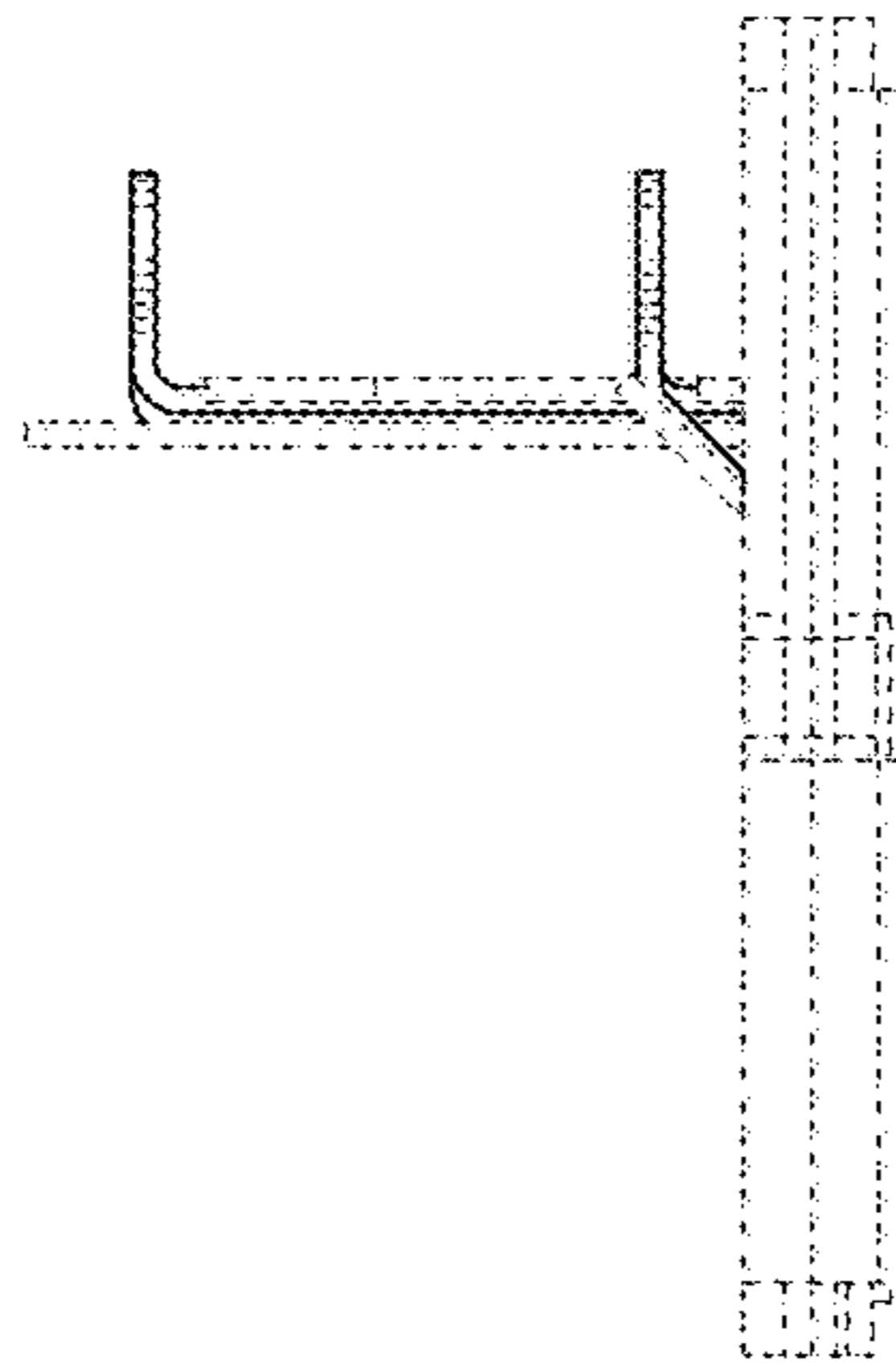


FIG. 4

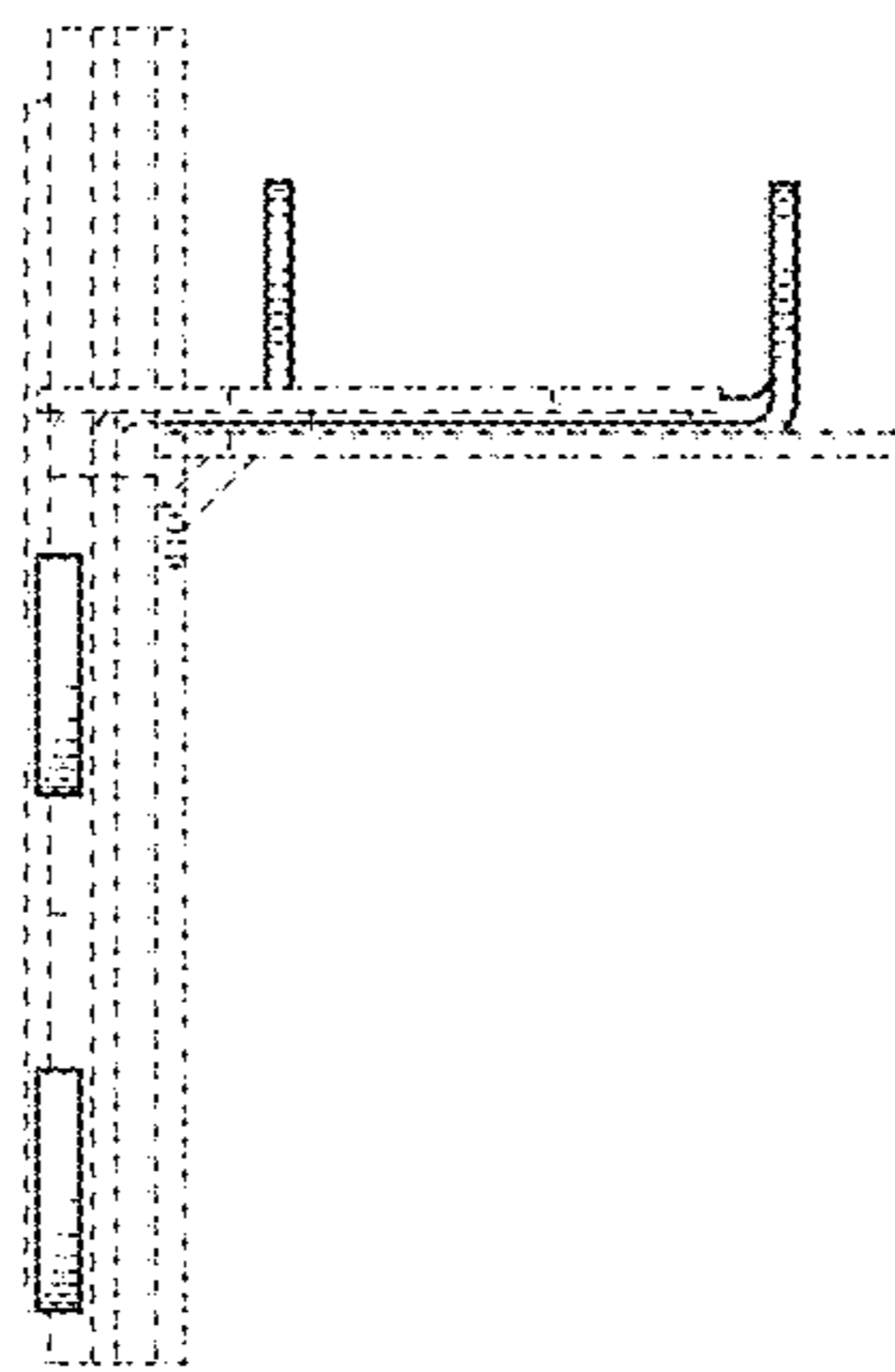


FIG. 5

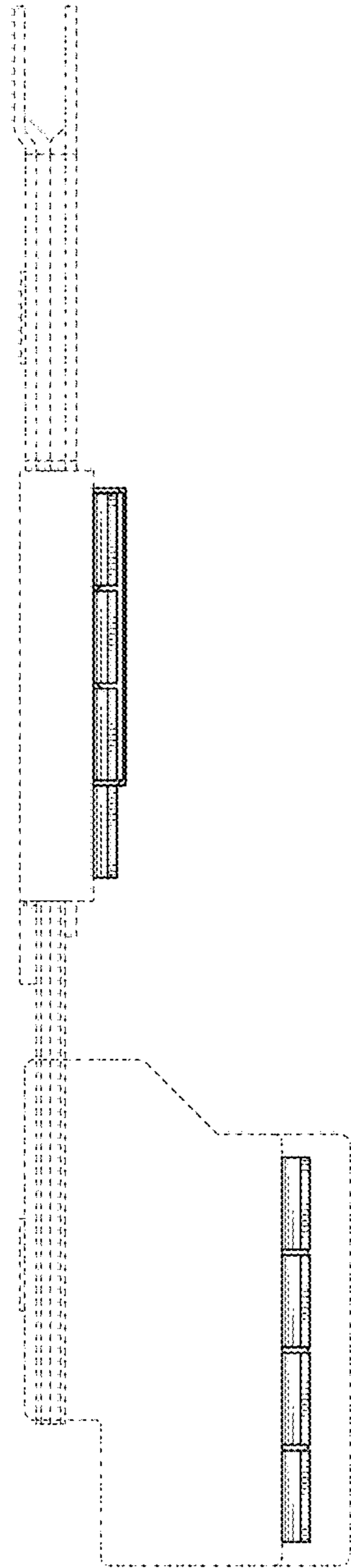


FIG. 6

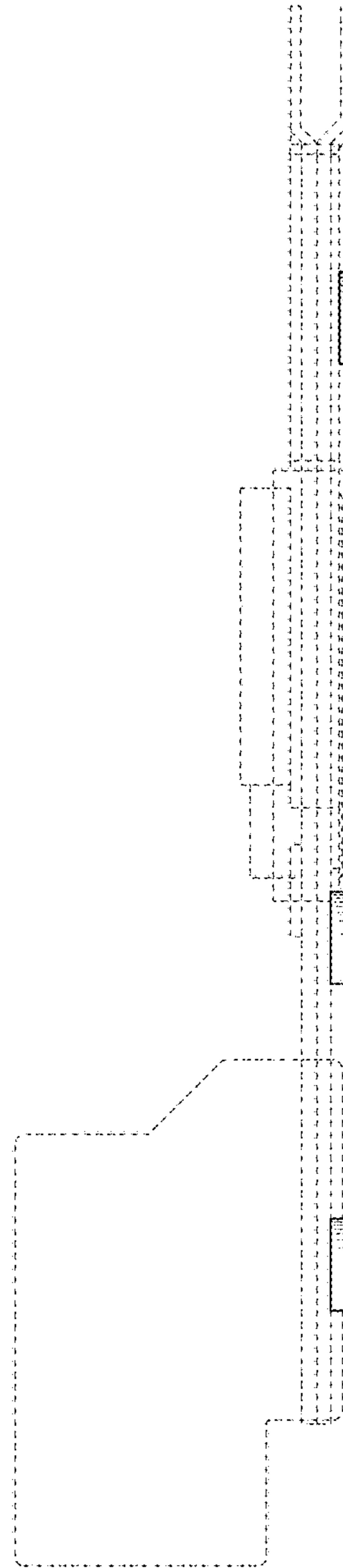


FIG. 7

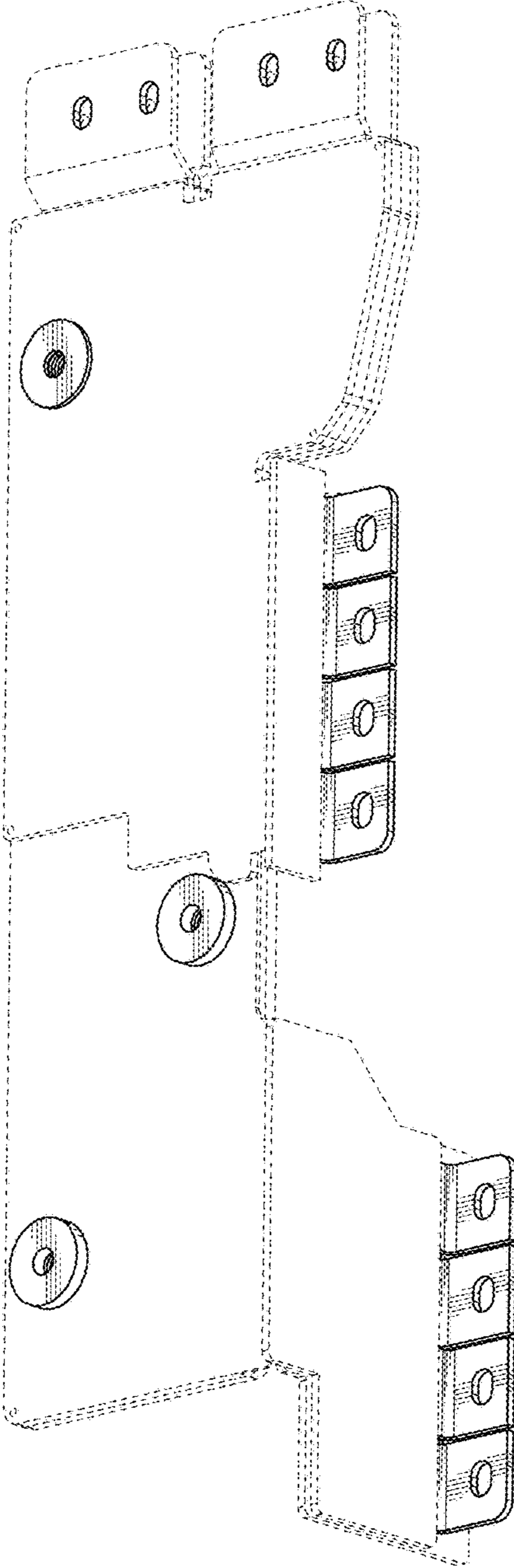


FIG. 8