



US00D848952S

(12) **United States Design Patent**  
**Gregori**

(10) **Patent No.:** **US D848,952 S**

(45) **Date of Patent:** **\*\* May 21, 2019**

(54) **CONNECTOR ASSEMBLY**

(71) Applicant: **Molex, LLC**, Lisle, IL (US)

(72) Inventor: **Timothy R. Gregori**, New Lenox, IL (US)

(73) Assignee: **Molex, LLC**, Lisle, IL (US)

(\*\*) Term: **15 Years**

(21) Appl. No.: **29/638,781**

(22) Filed: **Feb. 28, 2018**

(51) **LOC (11) Cl.** ..... **13-03**

(52) **U.S. Cl.**  
USPC ..... **D13/147**

(58) **Field of Classification Search**  
USPC ..... D13/133, 146, 147, 154, 184, 199  
CPC ..... H01R 13/213; H01R 13/518; H01R 13/5208; H01R 13/5812; H01R 13/5816; H01R 13/582; H01R 13/59; H01R 13/659; H01R 24/86  
See application file for complete search history.

(56) **References Cited**

**U.S. PATENT DOCUMENTS**

D318,718 S \* 7/1991 Blatt ..... D13/133  
D324,027 S \* 2/1992 Sueyoshi ..... D13/133

D440,938 S \* 4/2001 Goto ..... D13/133  
RE42,230 E \* 3/2011 Norin ..... D13/133  
D726,114 S \* 4/2015 Nook ..... D13/133  
9,847,597 B2 \* 12/2017 Uttarkar ..... H01R 13/6272  
D835,044 S \* 12/2018 Ramanna ..... D13/146

\* cited by examiner

*Primary Examiner* — Daniel D Bui

(74) *Attorney, Agent, or Firm* — Banner & Witcoff, Ltd.

(57) **CLAIM**

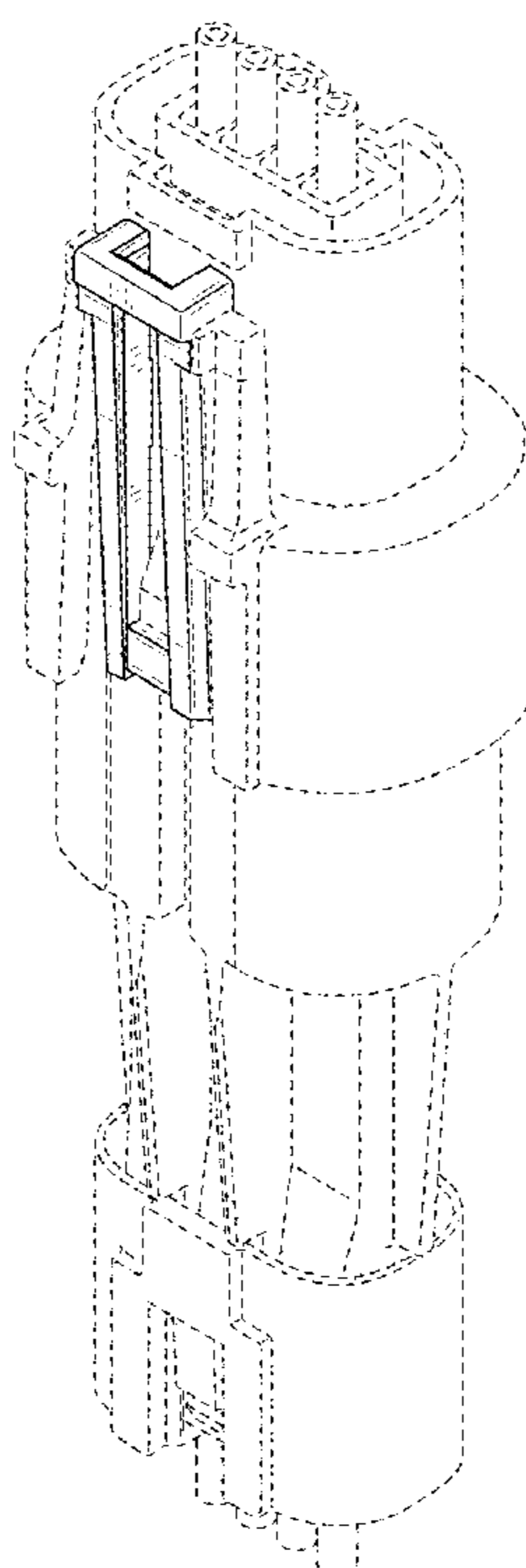
The ornamental design for a connector assembly, as shown and described.

**DESCRIPTION**

FIG. 1 is a front perspective view of a connector assembly showing my new design;  
FIG. 2 is a top plan view thereof;  
FIG. 3 is a bottom plan view thereof;  
FIG. 4 is a right-side elevation view thereof;  
FIG. 5 is a left-side elevation view thereof;  
FIG. 6 is a front elevation view thereof; and,  
FIG. 7 is a rear elevation view thereof.

The broken line in the drawing views represents unclaimed portions of the connector assembly and forms no part of the claimed design.

**1 Claim, 6 Drawing Sheets**



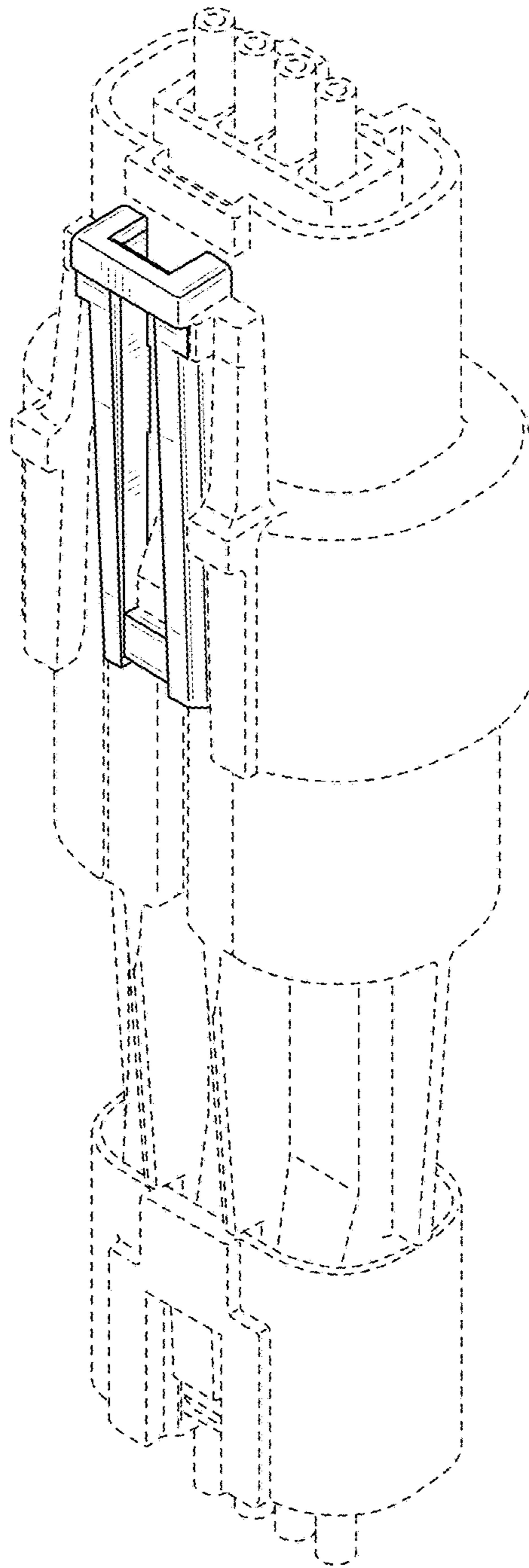


FIG. 1

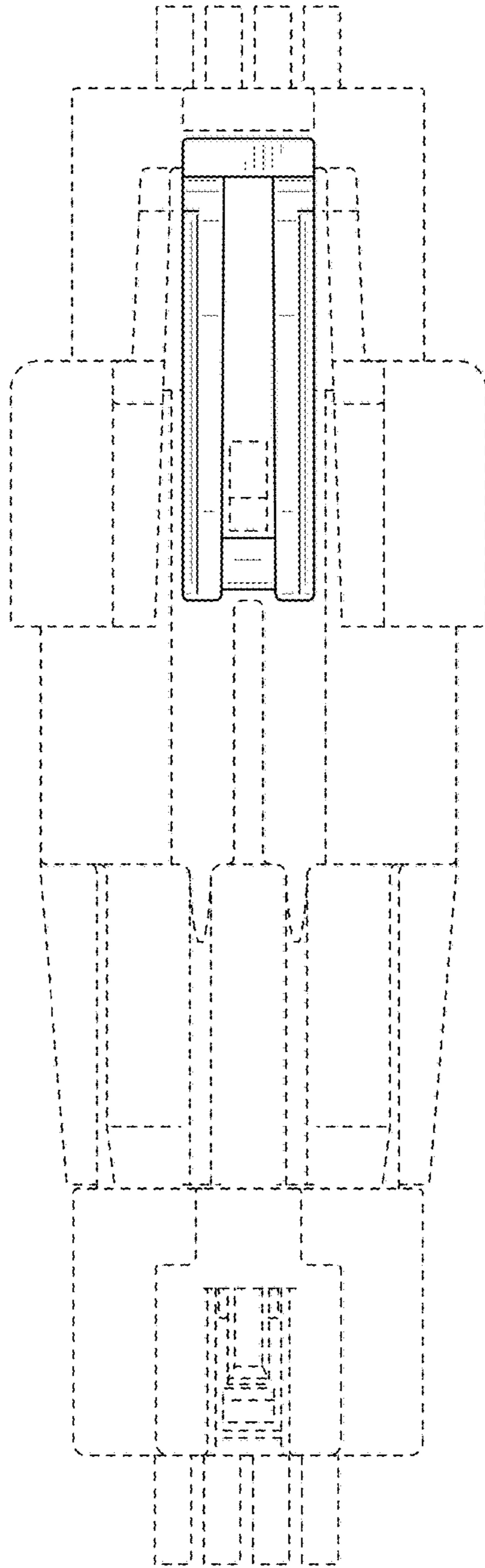


FIG. 2

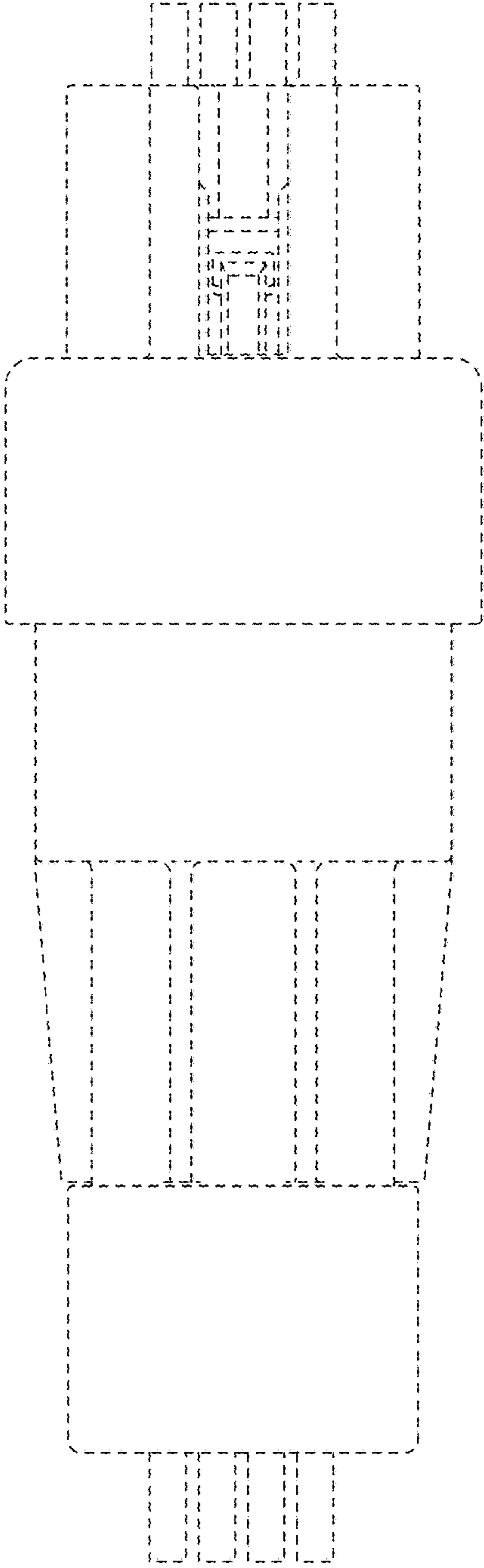


FIG. 3

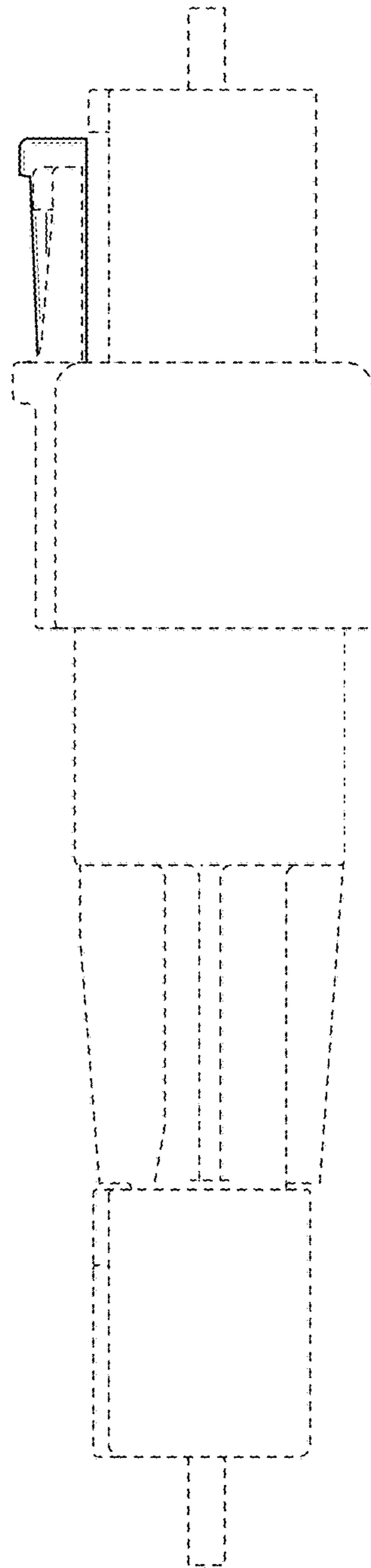


FIG. 4

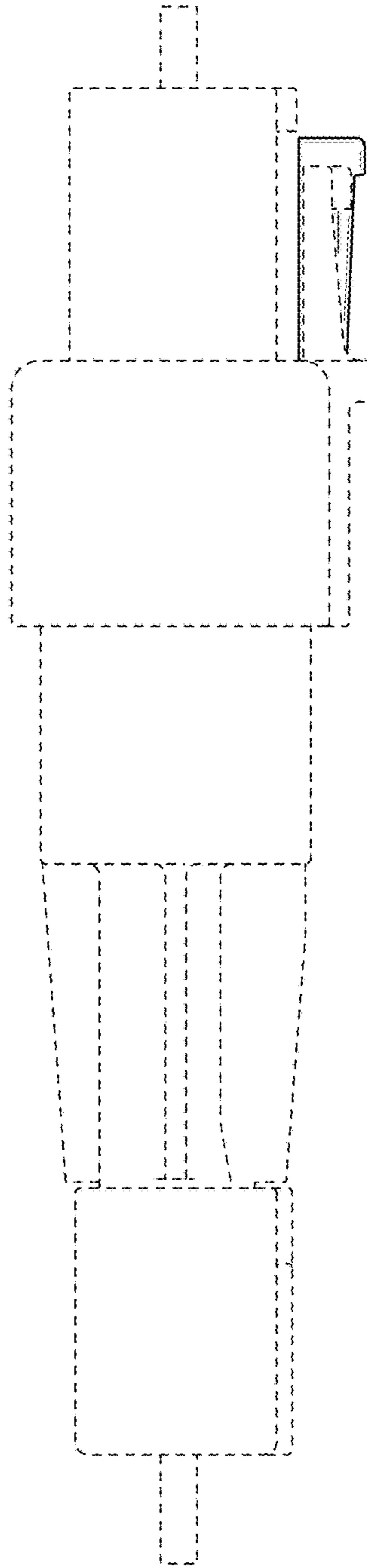


FIG. 5

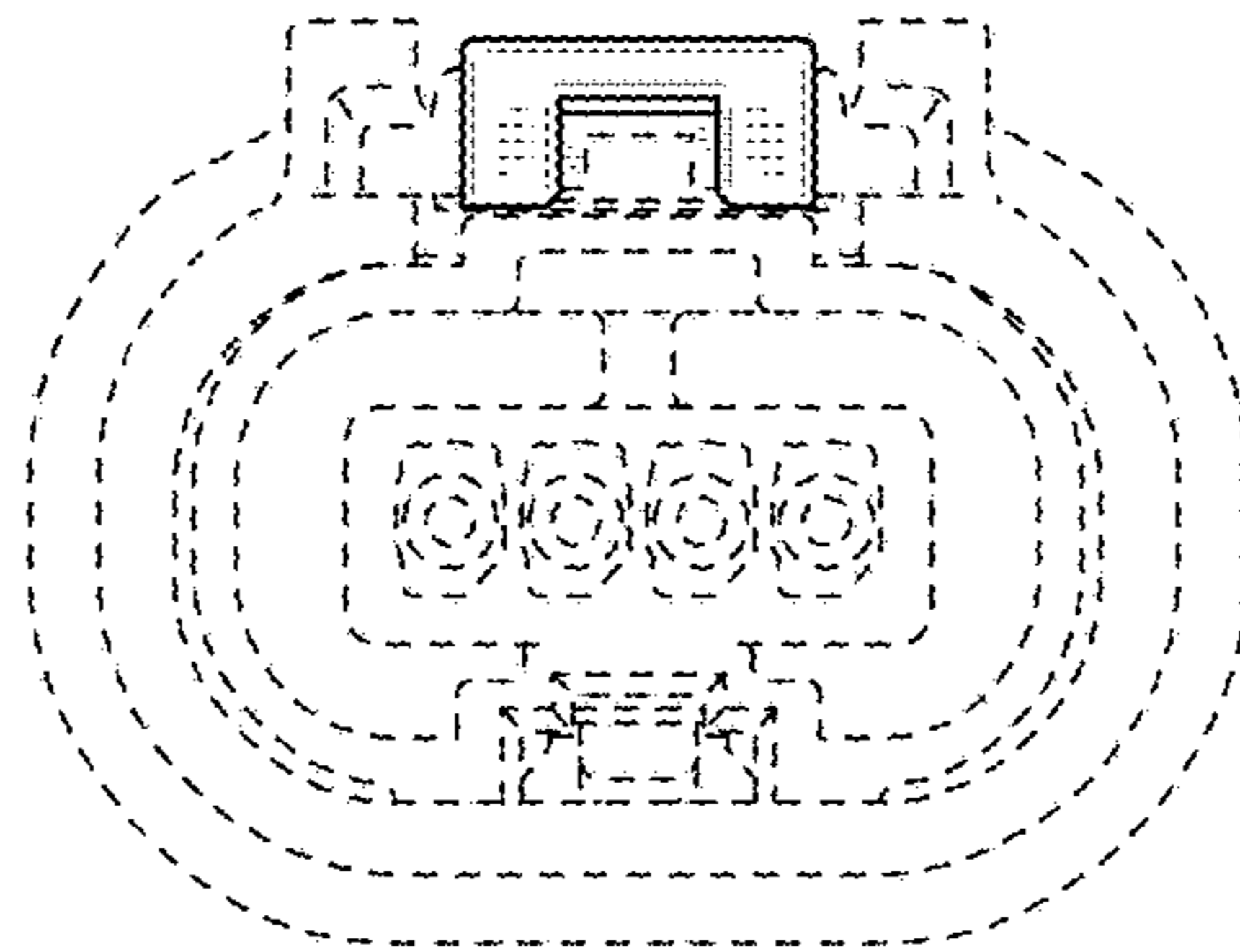


FIG. 6

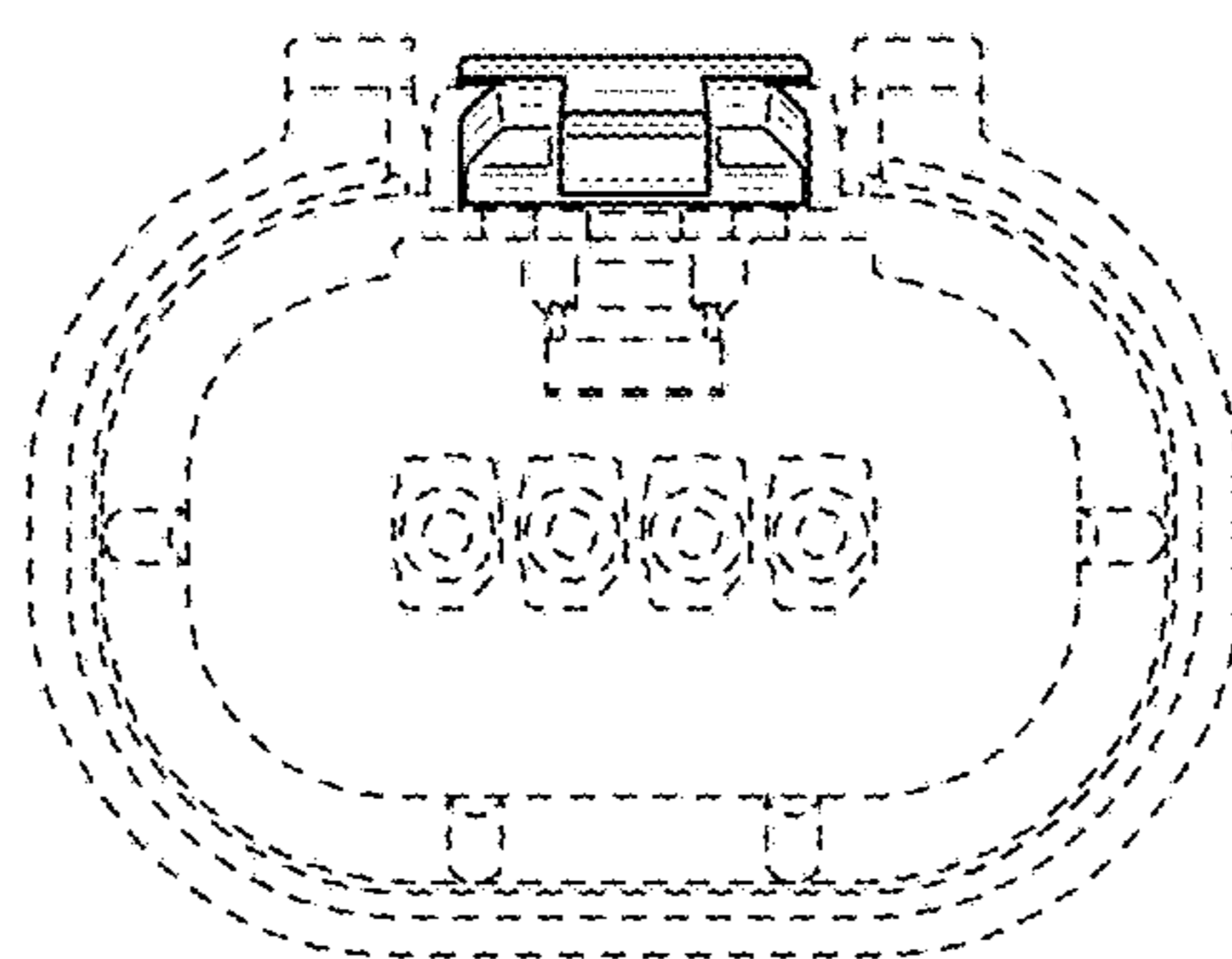


FIG. 7