

US00D848951S

(12) **United States Design Patent** (10) **Patent No.:** **US D848,951 S**
Kimura et al. (45) **Date of Patent:** **** May 21, 2019**

(54) **ELECTRICAL CONNECTOR**
 (71) Applicant: **Japan Aviation Electronics Industry, Limited, Tokyo (JP)**
 (72) Inventors: **Masaki Kimura, Tokyo (JP); Hiroyasu Koizumi, Tokyo (JP)**
 (73) Assignee: **JAPAN AVIATION ELECTRONICS INDUSTRY, LIMITED, Tokyo (JP)**
 (**) Term: **15 Years**
 (21) Appl. No.: **29/573,023**
 (22) Filed: **Aug. 2, 2016**
 (30) **Foreign Application Priority Data**

D413,373 S * 8/1999 Watanabe D23/233
 D420,101 S * 2/2000 Hiramatsu D23/233
 D427,285 S * 6/2000 Watanabe D23/233
 D518,147 S * 3/2006 Fukushima D23/233
 D526,385 S * 8/2006 Johnson D23/233
 D539,751 S * 4/2007 Kiely D13/152
 D556,860 S * 12/2007 Yokohari D23/233
 D600,783 S * 9/2009 Narita D23/233
 D603,937 S * 11/2009 Tejamo D23/233
 D604,396 S * 11/2009 Schmidt D23/233
 D608,416 S * 1/2010 Schmidt D23/233
 D638,730 S * 5/2011 Ishibashi D10/85
 D667,532 S * 9/2012 Asaba D10/85
 D681,163 S * 4/2013 Asaba D10/85
 D690,392 S * 9/2013 Miyazoe D23/233
 D701,292 S * 3/2014 Kaneko D23/233
 D743,910 S * 11/2015 Murphy D13/147
 D750,745 S * 3/2016 Sato D23/233
 D758,317 S * 6/2016 Plassiard D13/154
 D804,438 S * 12/2017 Makis D13/184

(Continued)

Feb. 10, 2016 (JP) 2016-002839

(51) **LOC (11) Cl.** **13-03**

(52) **U.S. Cl.**
USPC **D13/147**

(58) **Field of Classification Search**
 USPC D13/120, 133, 146, 147, 154, 184, 199
 CPC H01R 4/02; H01R 24/60; H01R 24/64;
 H01R 13/17; H01R 13/502; H01R
 13/648; H01R 13/6581; H01R 13/6583;
 H01R 13/6596; H01R 12/52; H01R
 12/71; H01R 12/79; H01R 13/24; H01R
 43/02; H01R 43/16
 See application file for complete search history.

(56) **References Cited**

U.S. PATENT DOCUMENTS

4,611,873 A * 9/1986 Punako H01R 13/6588
 439/277
 D320,381 S * 10/1991 McGrane 439/798
 D342,937 S * 1/1994 Angel, Jr. D13/120
 D366,928 S * 2/1996 Itafuji D23/233

Primary Examiner — Daniel D Bui

(74) *Attorney, Agent, or Firm* — Manabu Kanesaka

(57) **CLAIM**

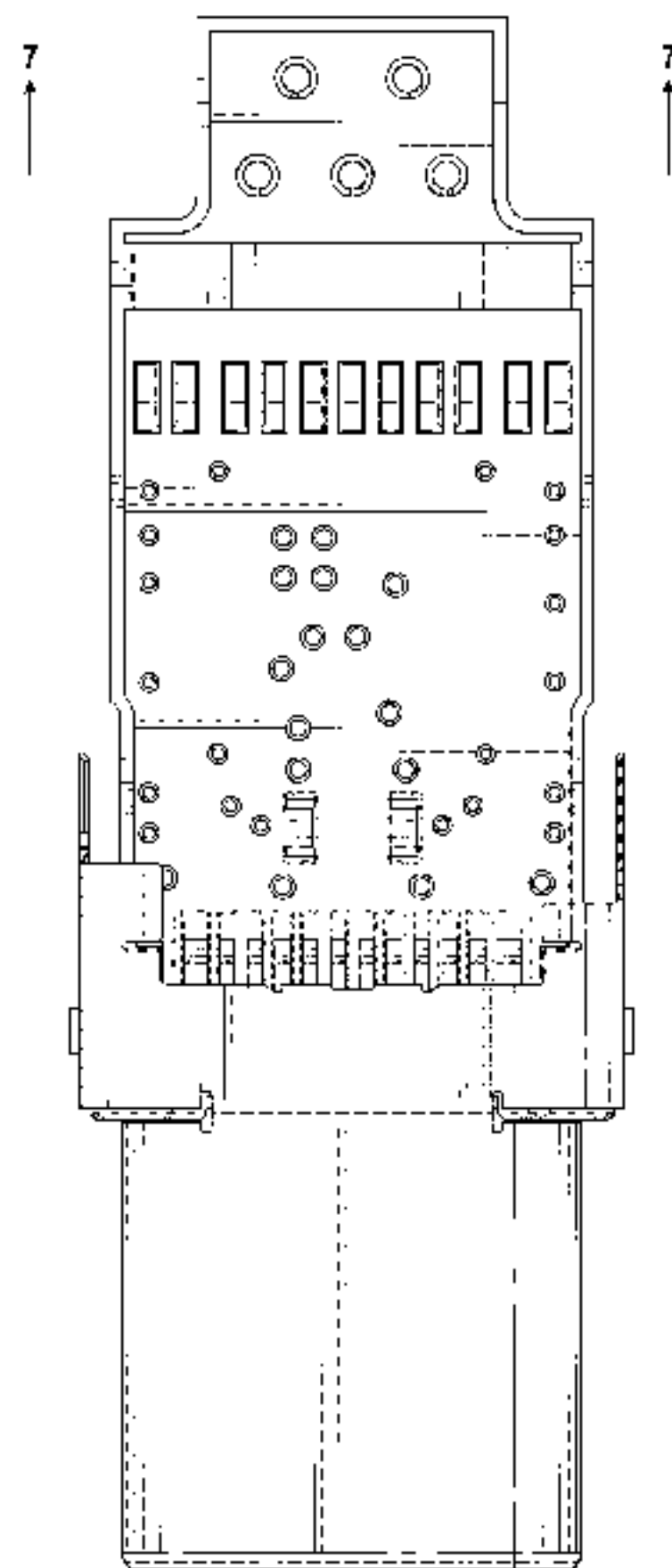
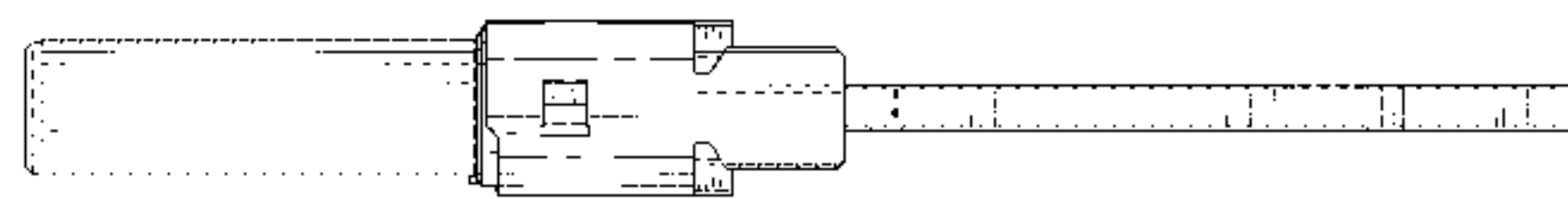
The ornamental design for an electrical connector, as shown and described.

DESCRIPTION

FIG. 1 is a front elevational view of an electrical connector showing our new design;
 FIG. 2 is a rear elevational view thereof;
 FIG. 3 is a right side elevational view thereof;
 FIG. 4 is a left side elevational view thereof;
 FIG. 5 is a top plan view thereof;
 FIG. 6 is a bottom plan view thereof; and,
 FIG. 7 is an enlarged sectional view thereof taken along line 7-7 in FIG. 5.

The broken line showing of the electrical connector is for the purpose of illustrating portions of the article and forms no part of the claimed design.

1 Claim, 5 Drawing Sheets



(56)

References Cited

U.S. PATENT DOCUMENTS

D808,341 S * 1/2018 Kimura D13/147
D808,342 S * 1/2018 Yamaguchi D13/147
D810,873 S * 2/2018 Yoshida D23/233
D822,613 S * 7/2018 Kimura D13/154
2006/0105629 A1 * 5/2006 Hayashi H01R 13/5219
439/587
2008/0209716 A1 * 9/2008 Yagi H01R 43/048
29/753
2009/0170365 A1 * 7/2009 Wang H01R 13/4223
439/367
2009/0253279 A1 * 10/2009 Howell H01R 13/33
439/82
2011/0151689 A1 * 6/2011 Lin G01R 1/0408
439/66
2011/0195615 A1 * 8/2011 Falchetti H01R 11/283
439/806
2016/0344118 A1 * 11/2016 Hsieh H01R 43/16

* cited by examiner

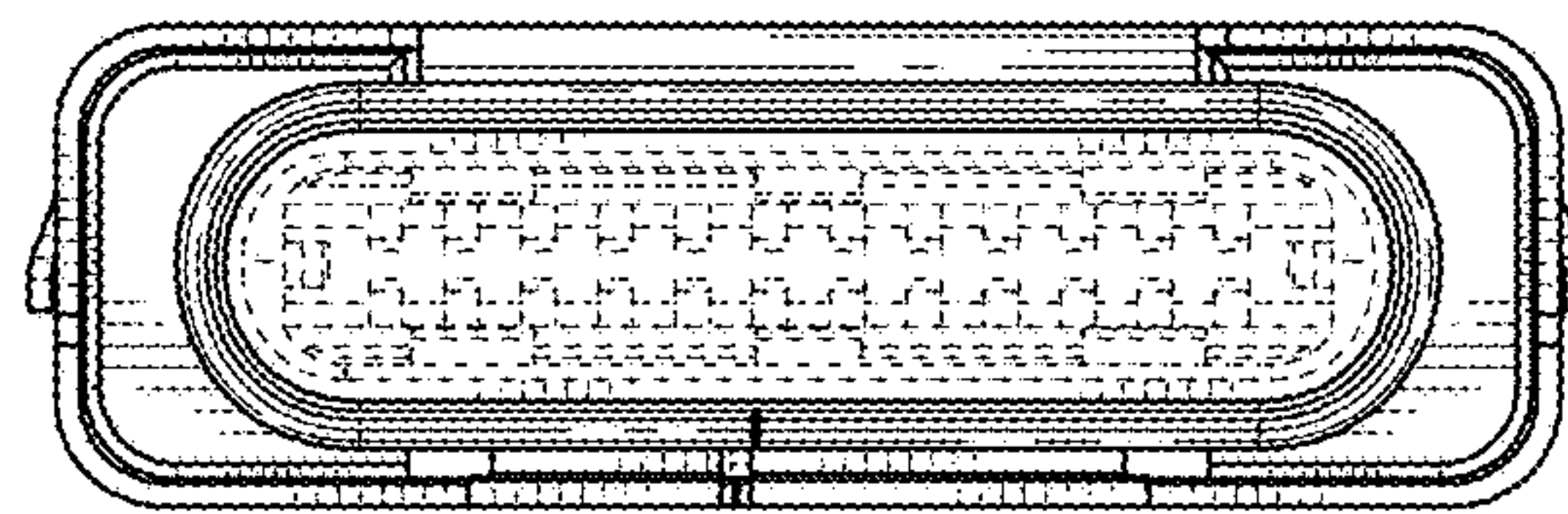


FIG. 1

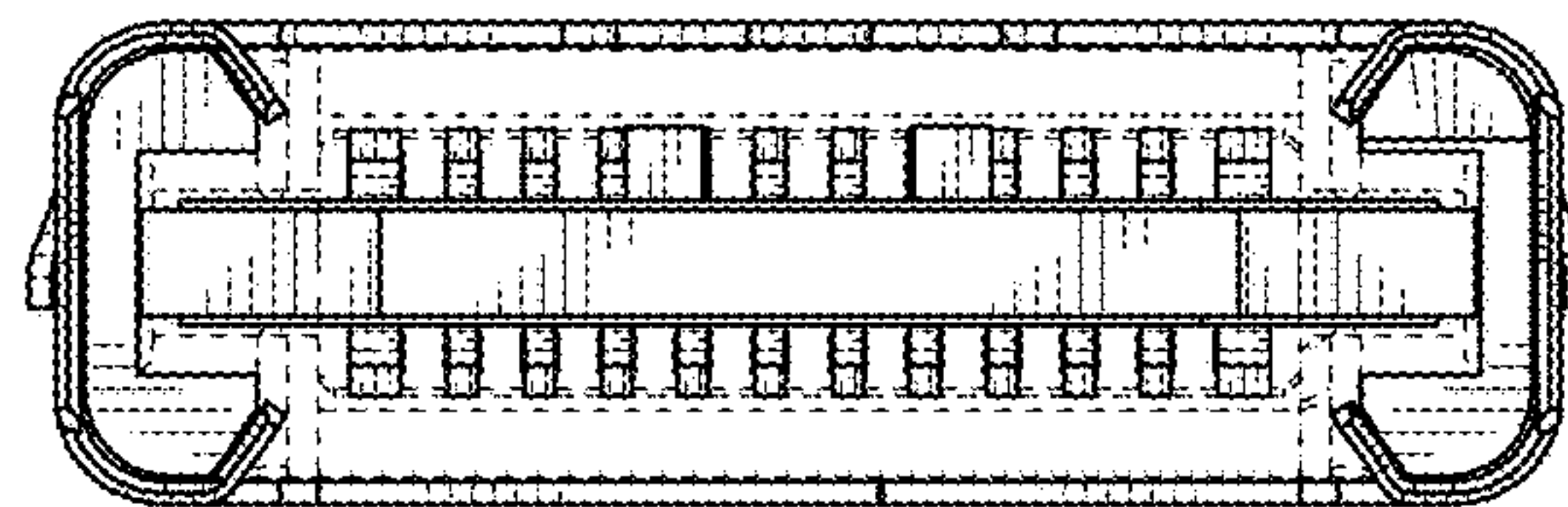


FIG. 2

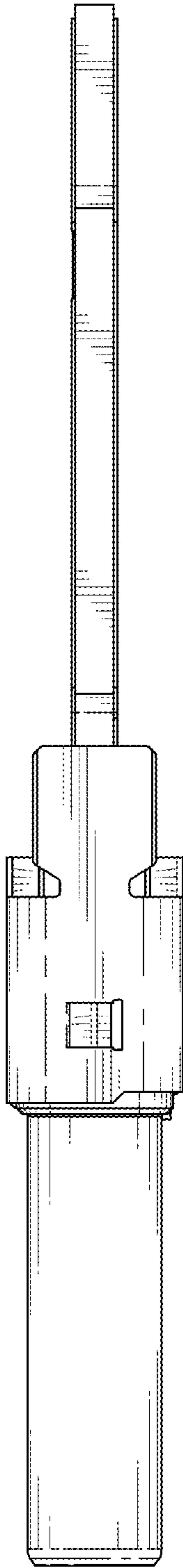


FIG. 3

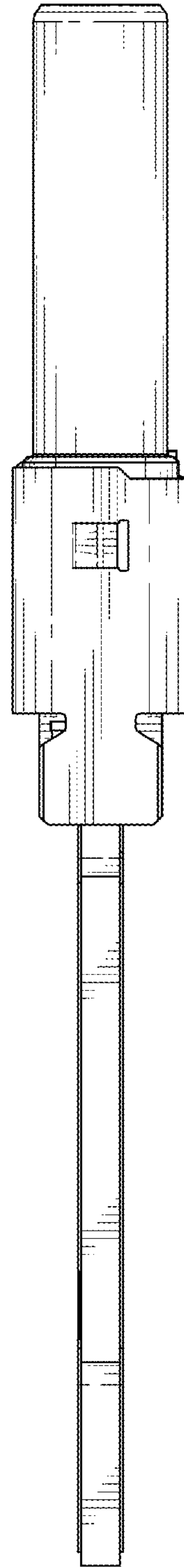


FIG. 4

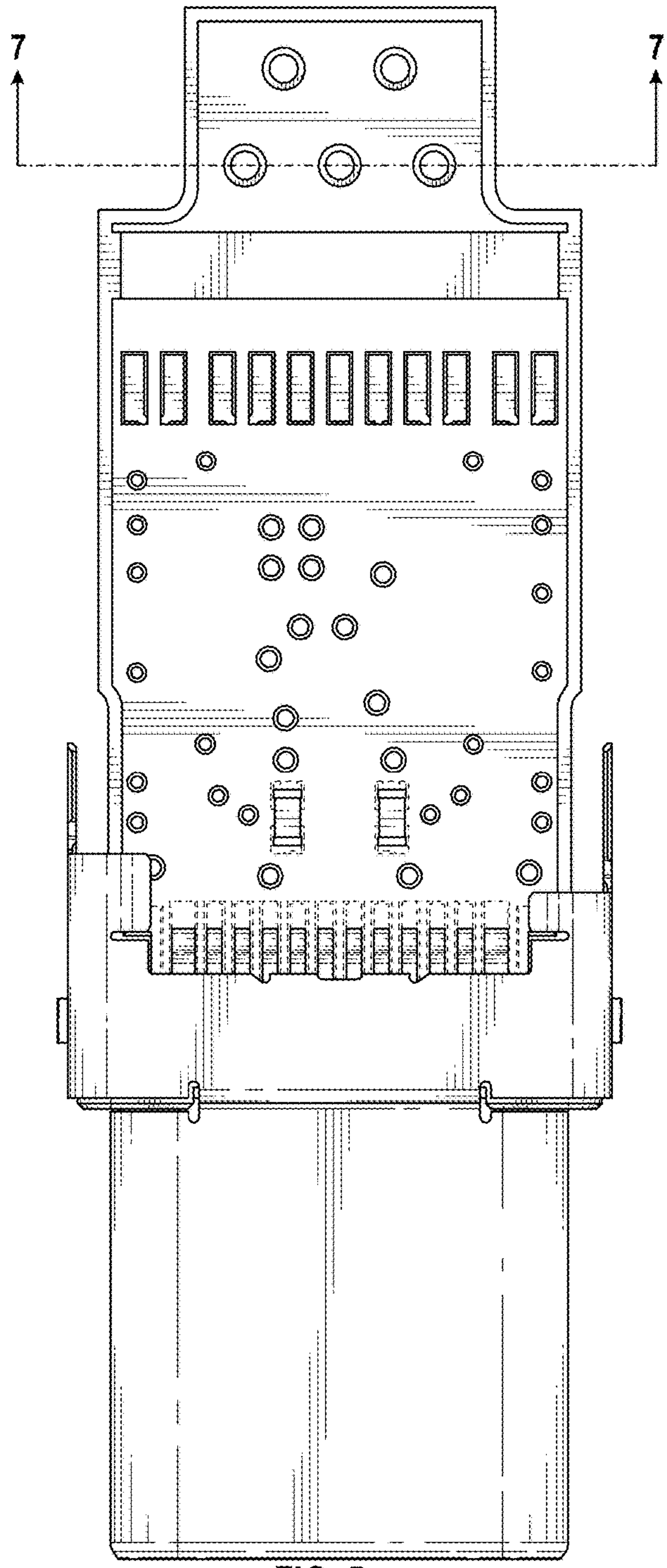


FIG. 5

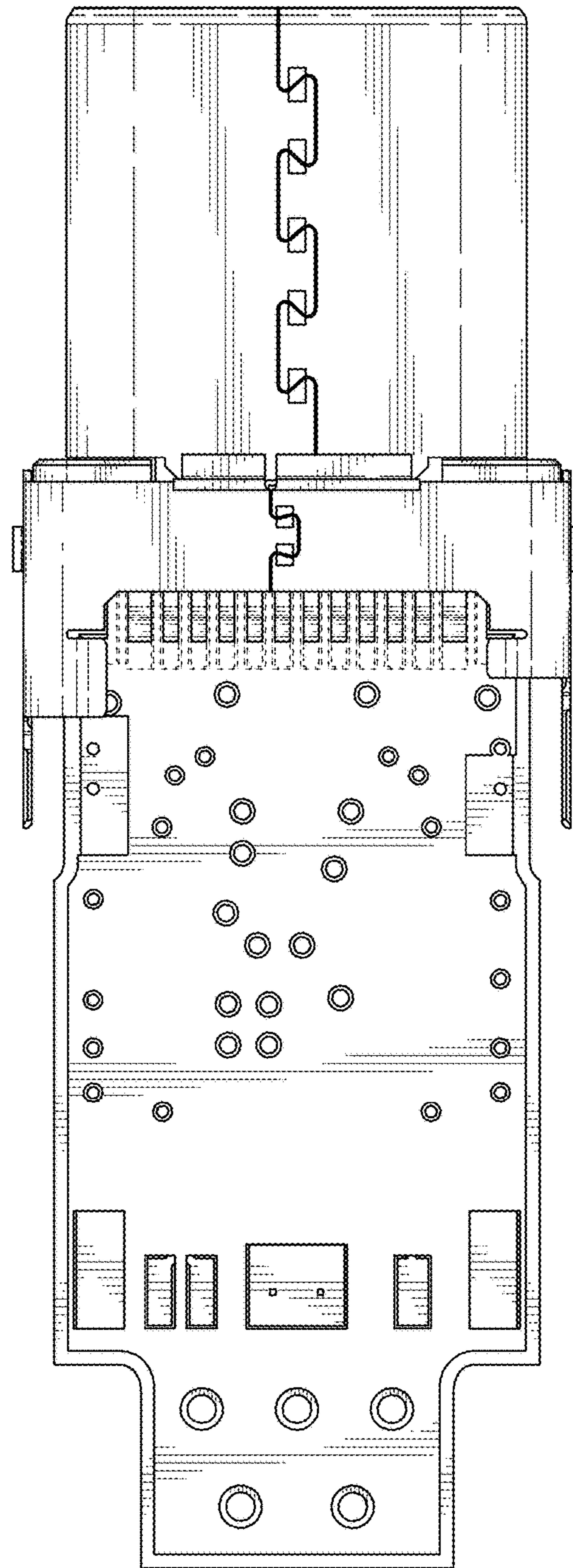


FIG. 6

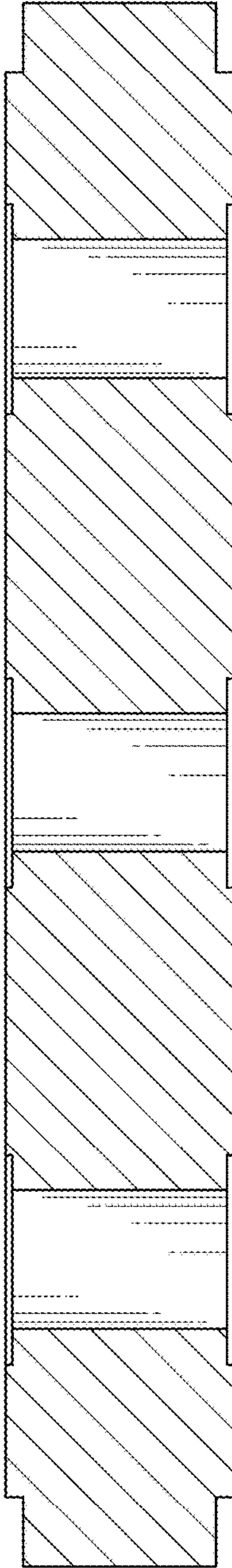


FIG. 7

UNITED STATES PATENT AND TRADEMARK OFFICE
CERTIFICATE OF CORRECTION

PATENT NO. : D848,951 S
APPLICATION NO. : 29/573023
DATED : May 21, 2019
INVENTOR(S) : Masaki Kimura and Hiroyasu Koizumi

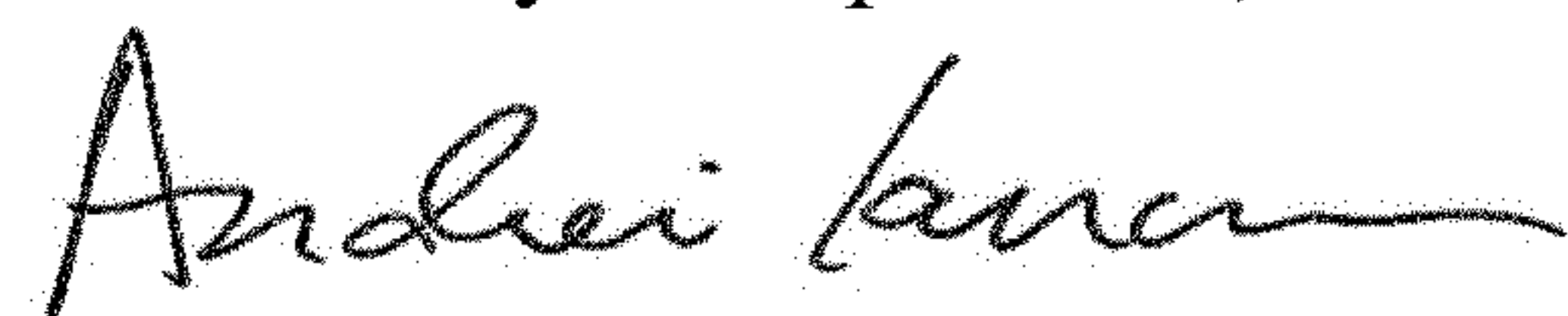
Page 1 of 1

It is certified that error appears in the above-identified patent and that said Letters Patent is hereby corrected as shown below:

On the Title Page

Please insert -- (*) Notice: This patent is subject to a terminal disclaimer. -- after “(73) Assignee:
JAPAN AVIATION ELECTRONICS INDUSTRY, LIMITED, Tokyo (JP)”.

Signed and Sealed this
Third Day of September, 2019



Andrei Iancu
Director of the United States Patent and Trademark Office