



US00D848948S

(12) **United States Design Patent**
Wei

(10) **Patent No.:** **US D848,948 S**

(45) **Date of Patent:** **** May 21, 2019**

(54) **SOCKET**

(71) Applicant: **Chengdu Meross Technology Co., Ltd.**, Chengdu (CN)

(72) Inventor: **Tian Wei**, Chengdu (CN)

(73) Assignee: **Chengdu Meross Technology Co., Ltd.**, Chengdu (CN)

(**) Term: **15 Years**

(21) Appl. No.: **29/633,515**

(22) Filed: **Jan. 15, 2018**

(51) **LOC (11) Cl.** **13-03**

(52) **U.S. Cl.**
USPC **D13/137.2**

(58) **Field of Classification Search**
USPC D13/108, 110, 123, 133, 137.1–137.4,
D13/138.1–138.2, 139.1–139.8, 152, 154,
D13/119–121, 124, 147; D14/433,
D14/240–242

CPC .. H01R 25/00; H01R 25/006; H01R 13/6675;
H01R 13/10; H01R 13/44; H01R 13/66;
H01R 13/652; H01R 31/065; H01R
31/00; H01R 11/00; H01R 9/00; H01H
2207/00; H01H 2207/022

See application file for complete search history.

(56) **References Cited**

U.S. PATENT DOCUMENTS

D467,873 S * 12/2002 Yu D13/137.2
D651,974 S * 1/2012 Benedetti D13/137.2
D666,968 S * 9/2012 Huang D13/110
D820,212 S * 6/2018 Stern D13/137.2

D825,458 S * 8/2018 Nauroy D13/108
D832,215 S * 10/2018 Xu D13/137.2
D835,042 S * 12/2018 Qiu D13/137.2
D835,043 S * 12/2018 Liao D13/137.3

OTHER PUBLICATIONS

Amazon.com: Meross WiFi Smart Plug Mini. Published Feb. 4, 2018. Retrieved from the internet at <<https://www.amazon.com/Meross-Google-Control-Occupies-Complied/dp/B079KYHLDZ/>>, Jan. 30, 2019. 1 page. (Year: 2018).*

* cited by examiner

Primary Examiner — Rosemary K Tarcza

Assistant Examiner — Christy M Nemeth

(74) *Attorney, Agent, or Firm* — JCIPRNET

(57) **CLAIM**

The ornamental design for a socket, as shown and described.

DESCRIPTION

FIG. 1 is a perspective view of a socket showing my new design;

FIG. 2 is another perspective view thereof;

FIG. 3 is a front view thereof;

FIG. 4 is a rear view thereof;

FIG. 5 is a left side view thereof;

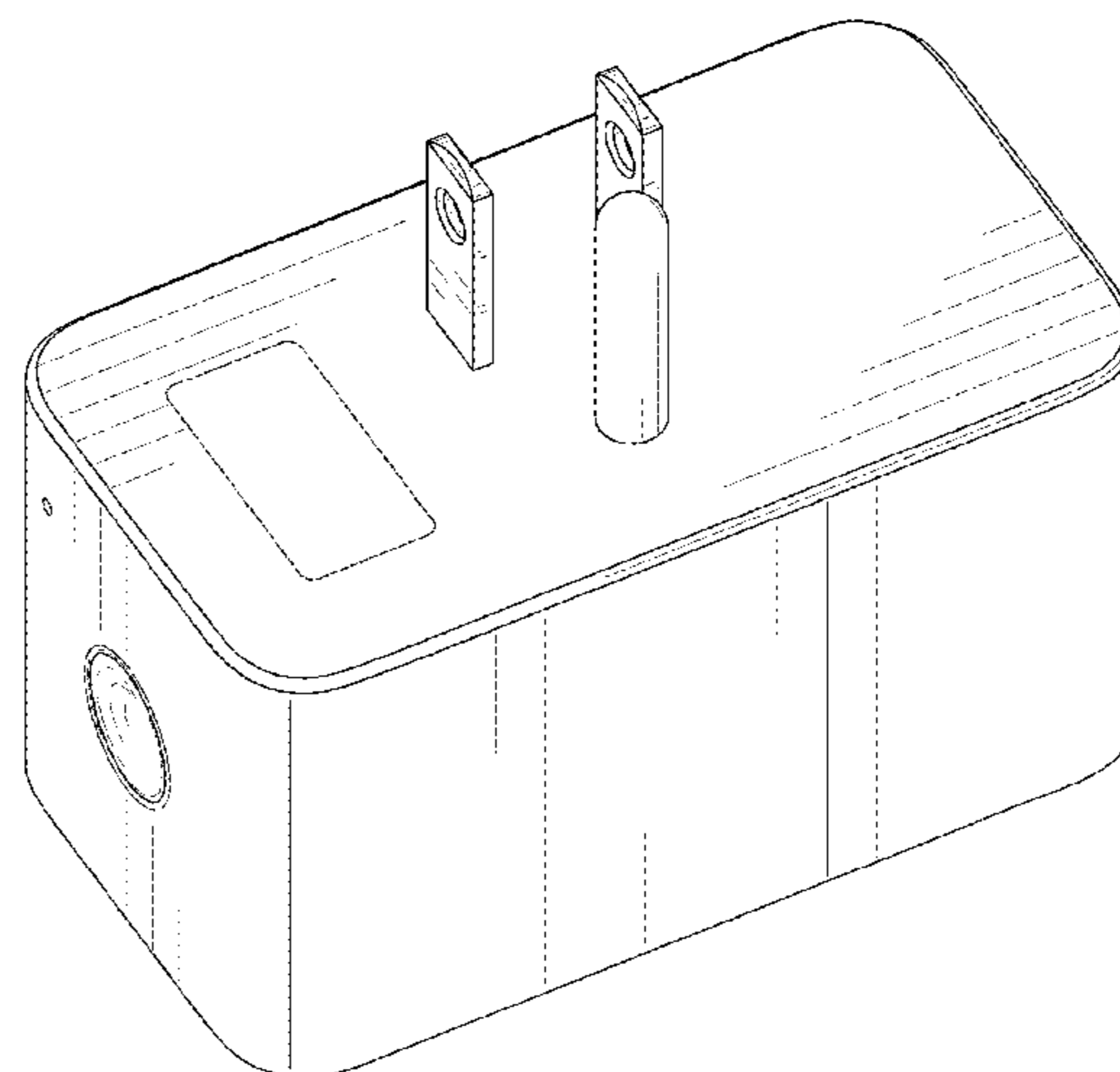
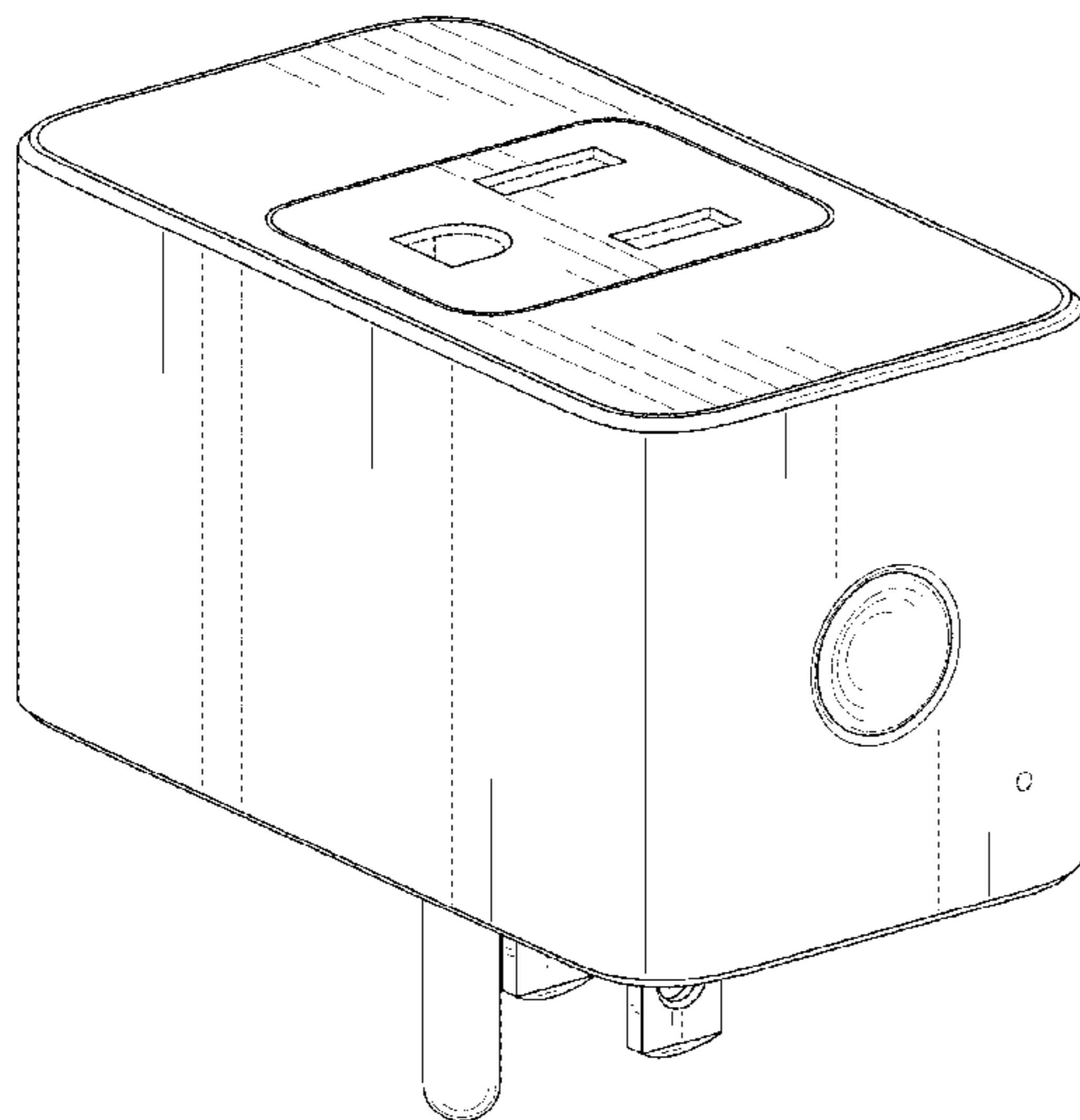
FIG. 6 is a right side view thereof;

FIG. 7 is a top view thereof; and,

FIG. 8 is a bottom view thereof.

The broken lines in the drawings are for the purpose of illustrating portions of the socket adapter that form no part of the claimed design.

1 Claim, 6 Drawing Sheets



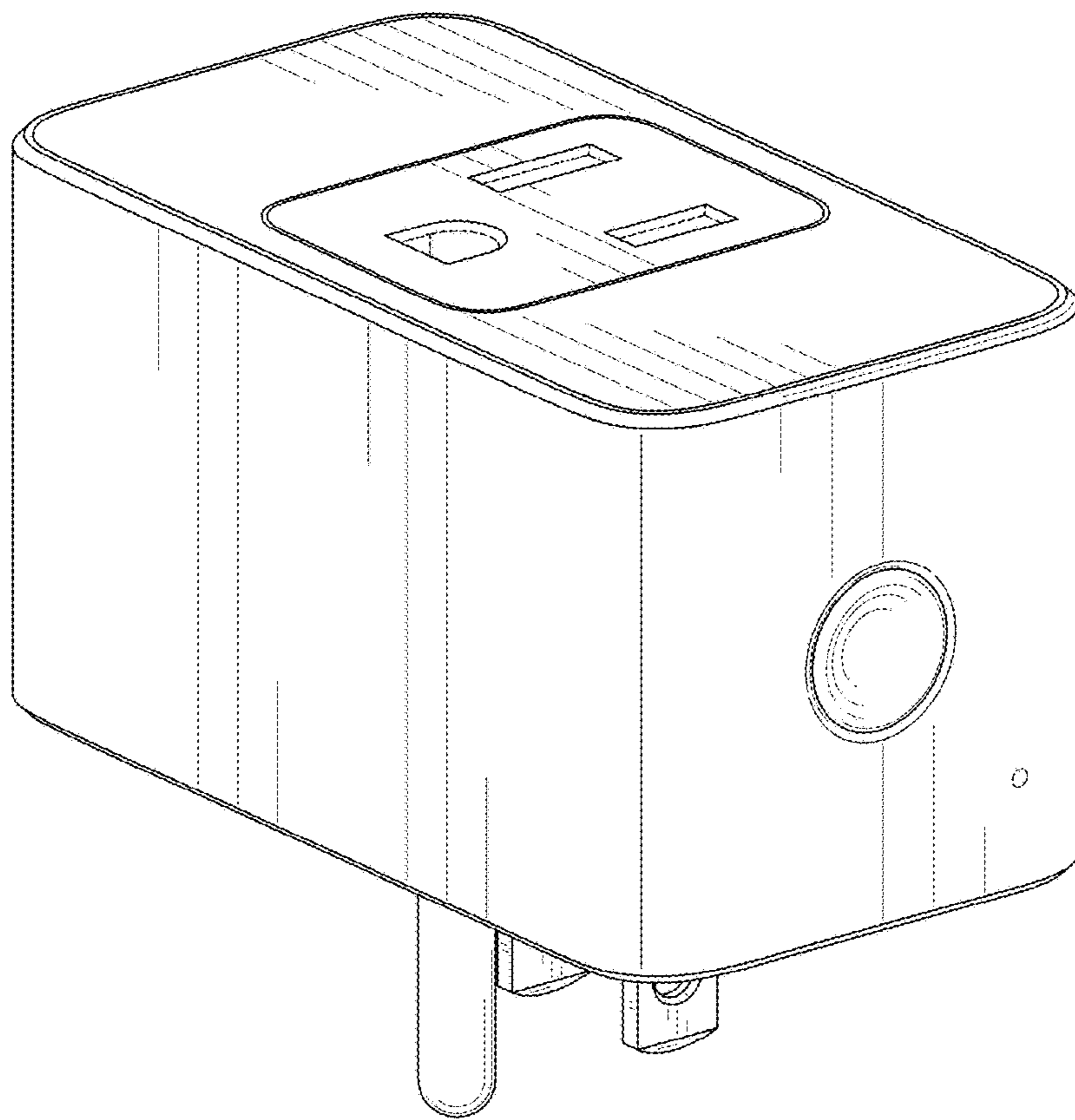


FIG. 1

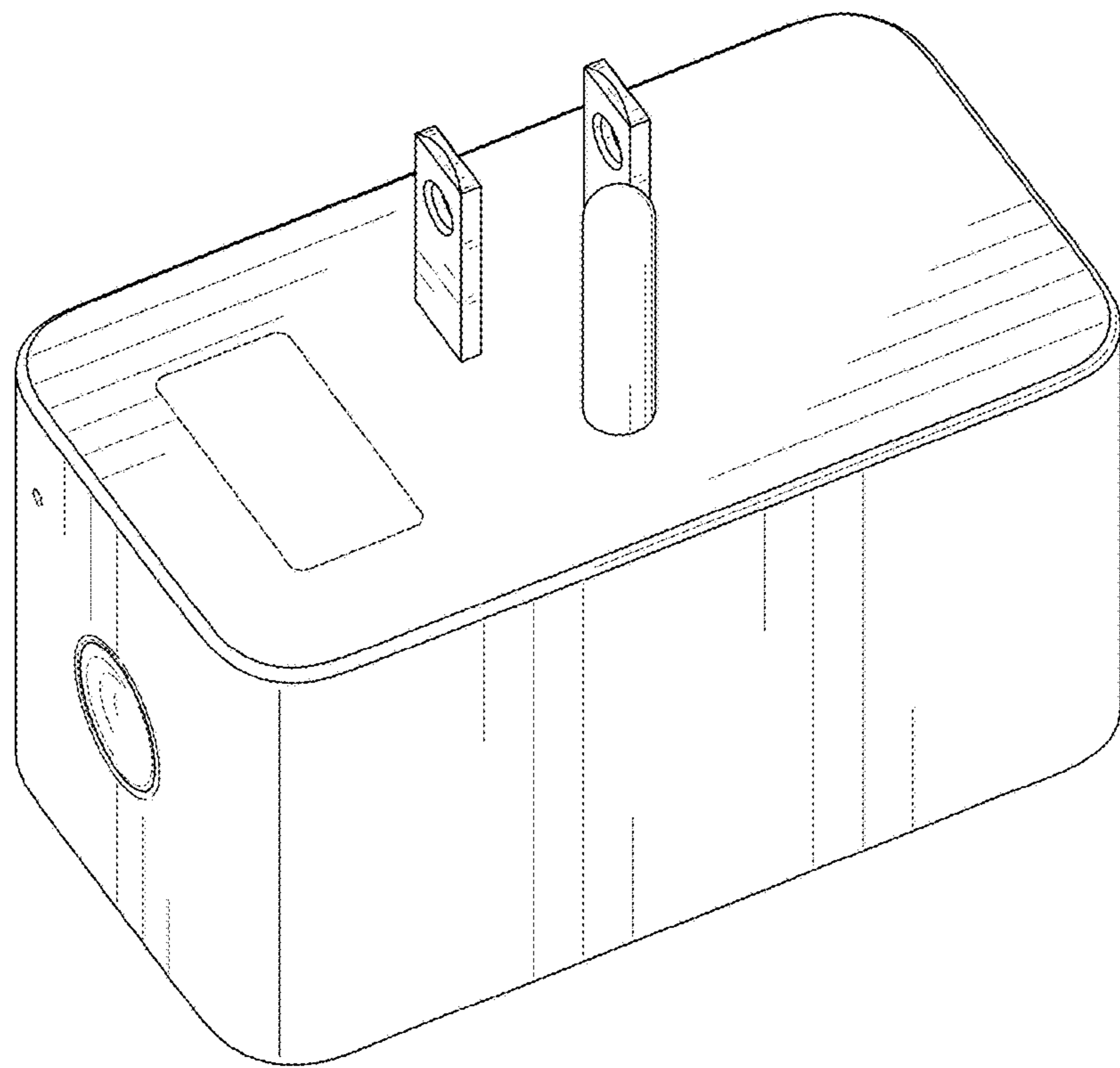


FIG. 2

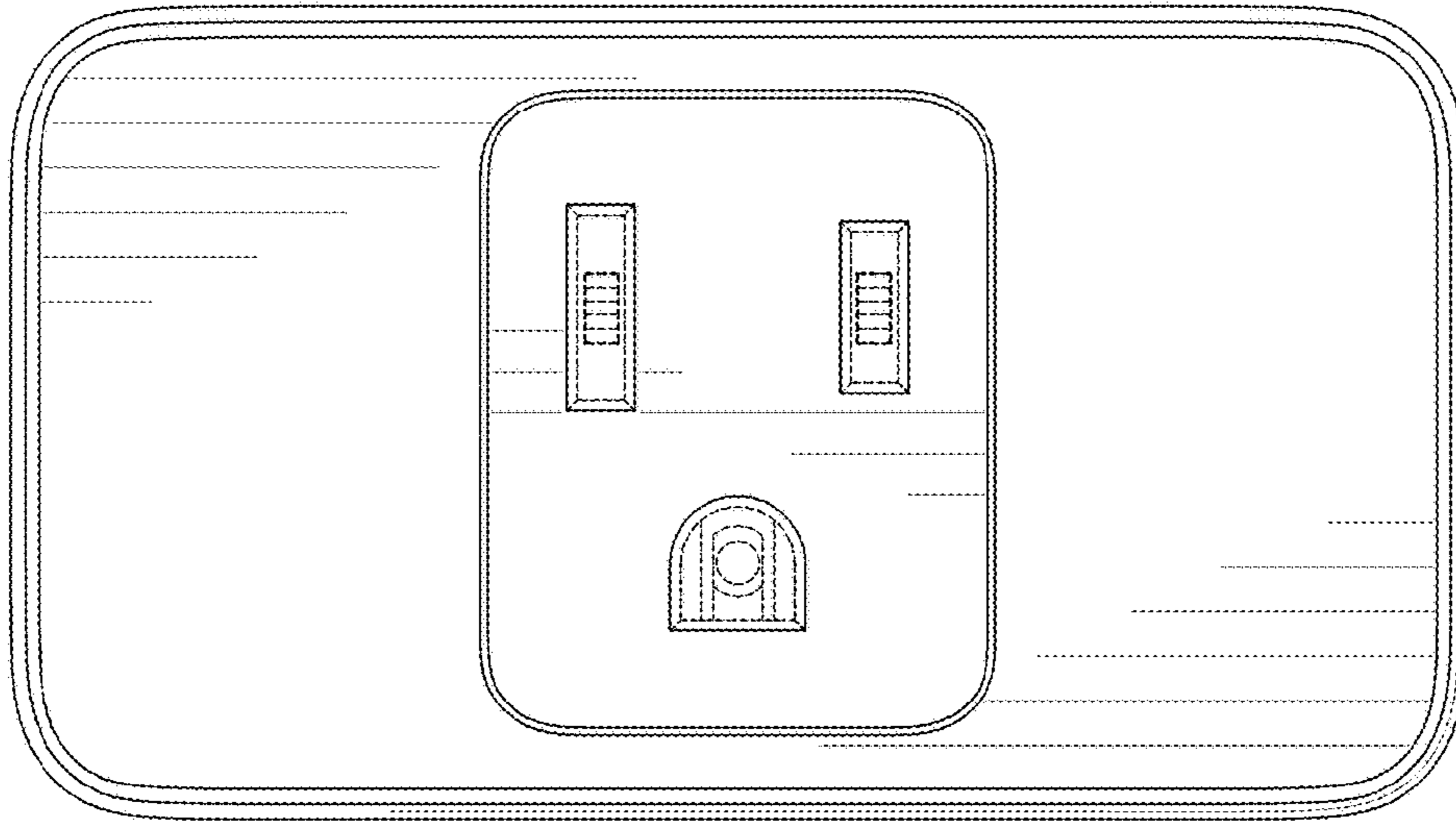


FIG. 3

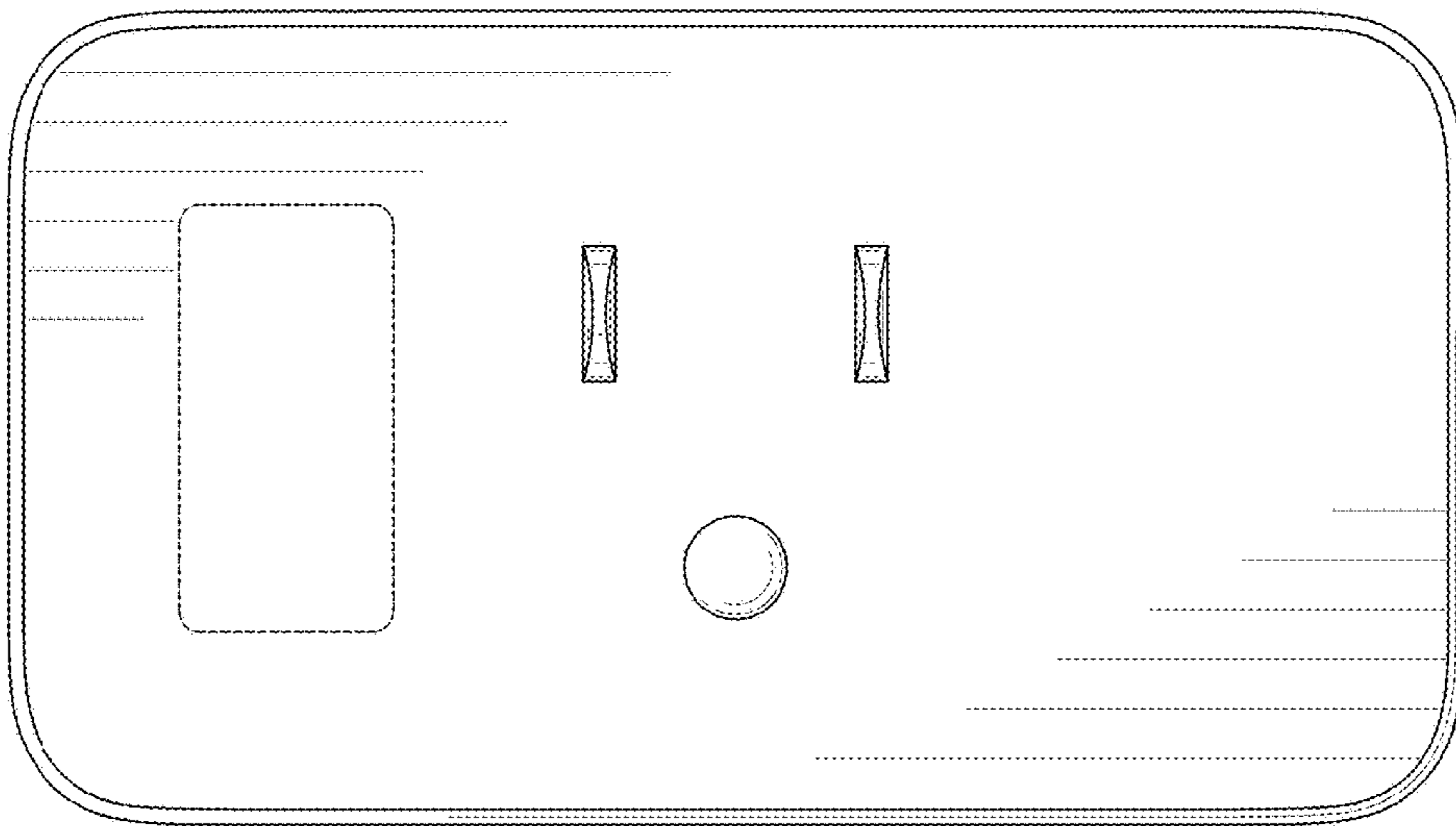


FIG. 4

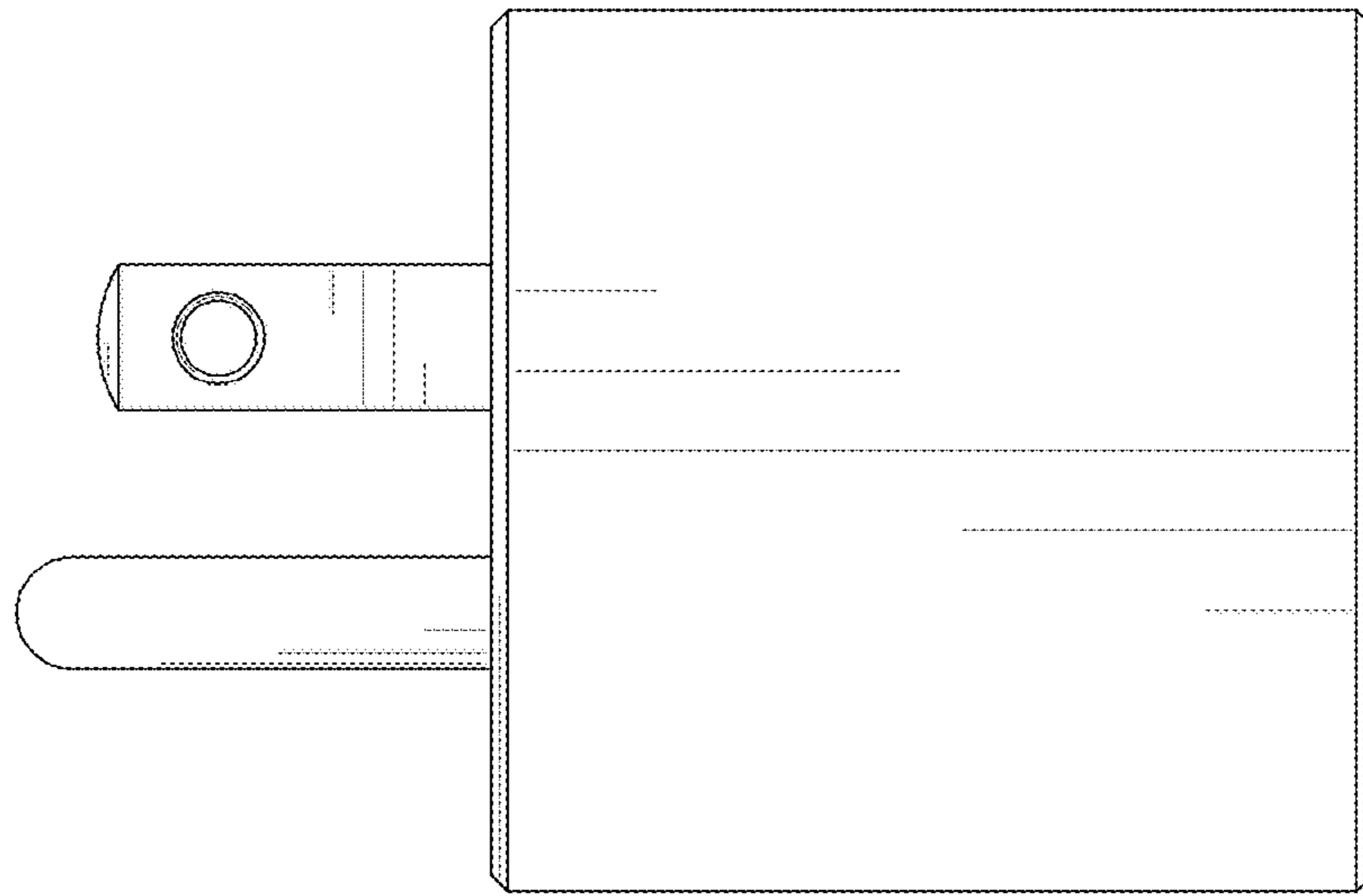


FIG. 5

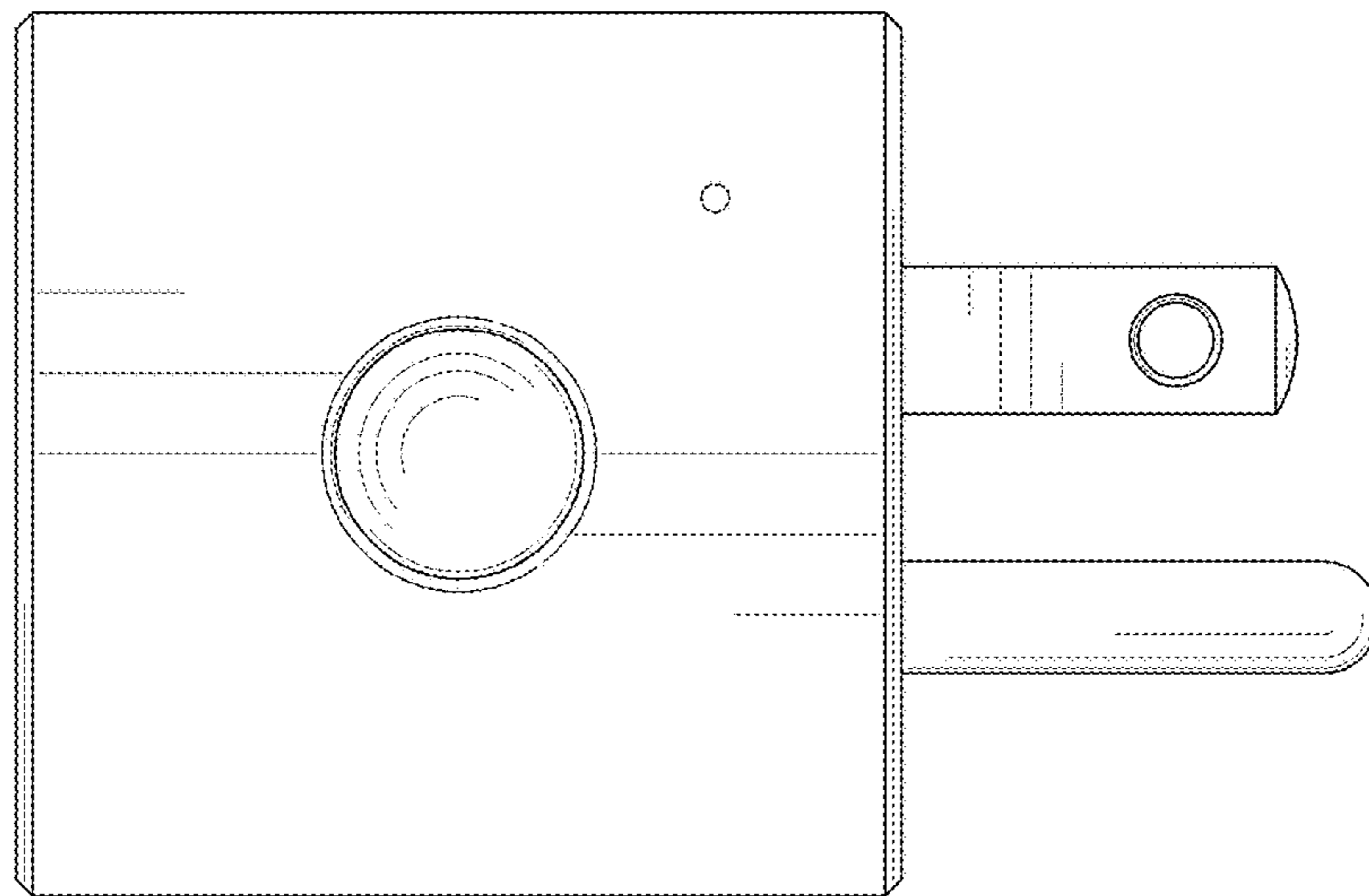


FIG. 6

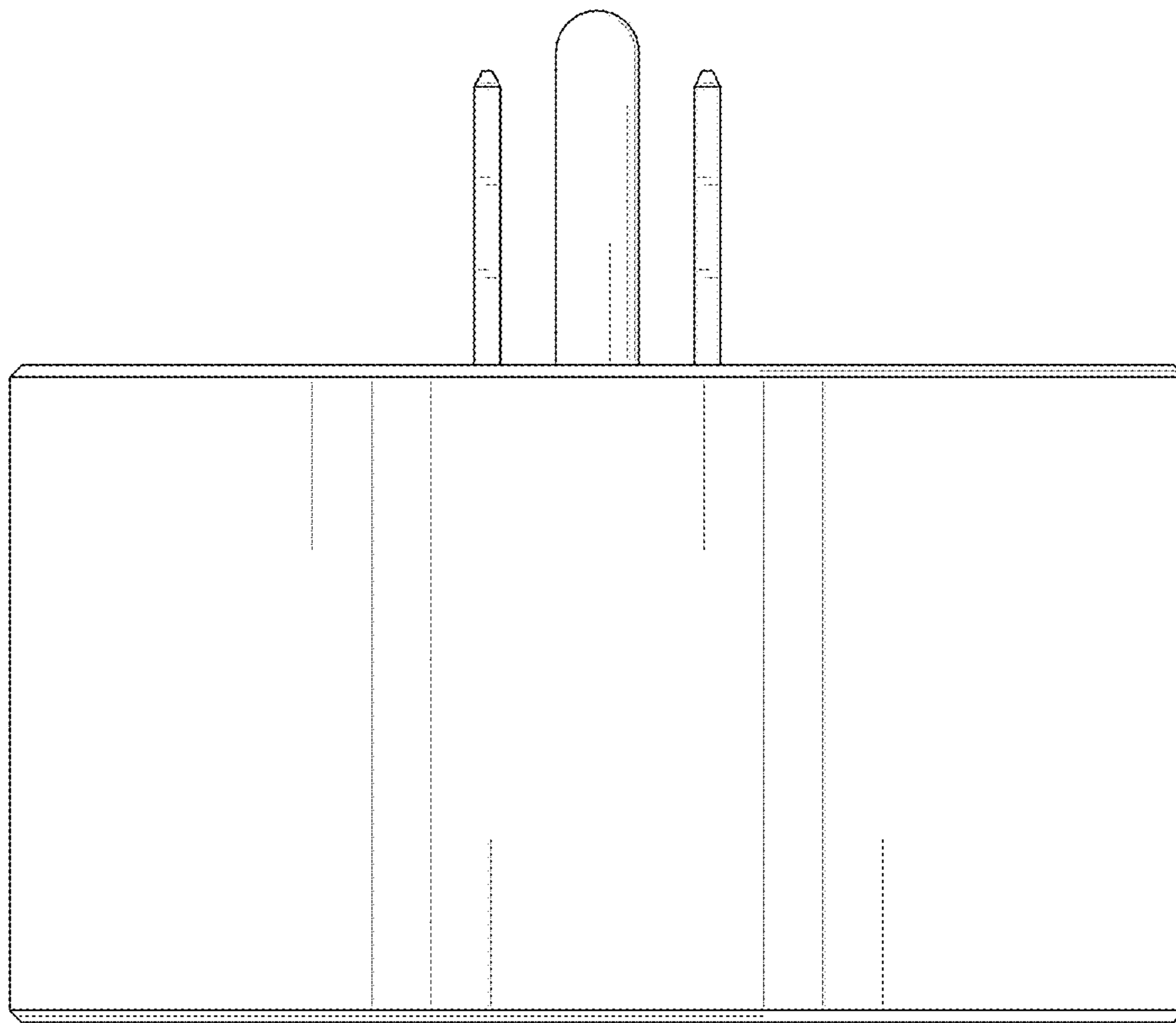


FIG. 7

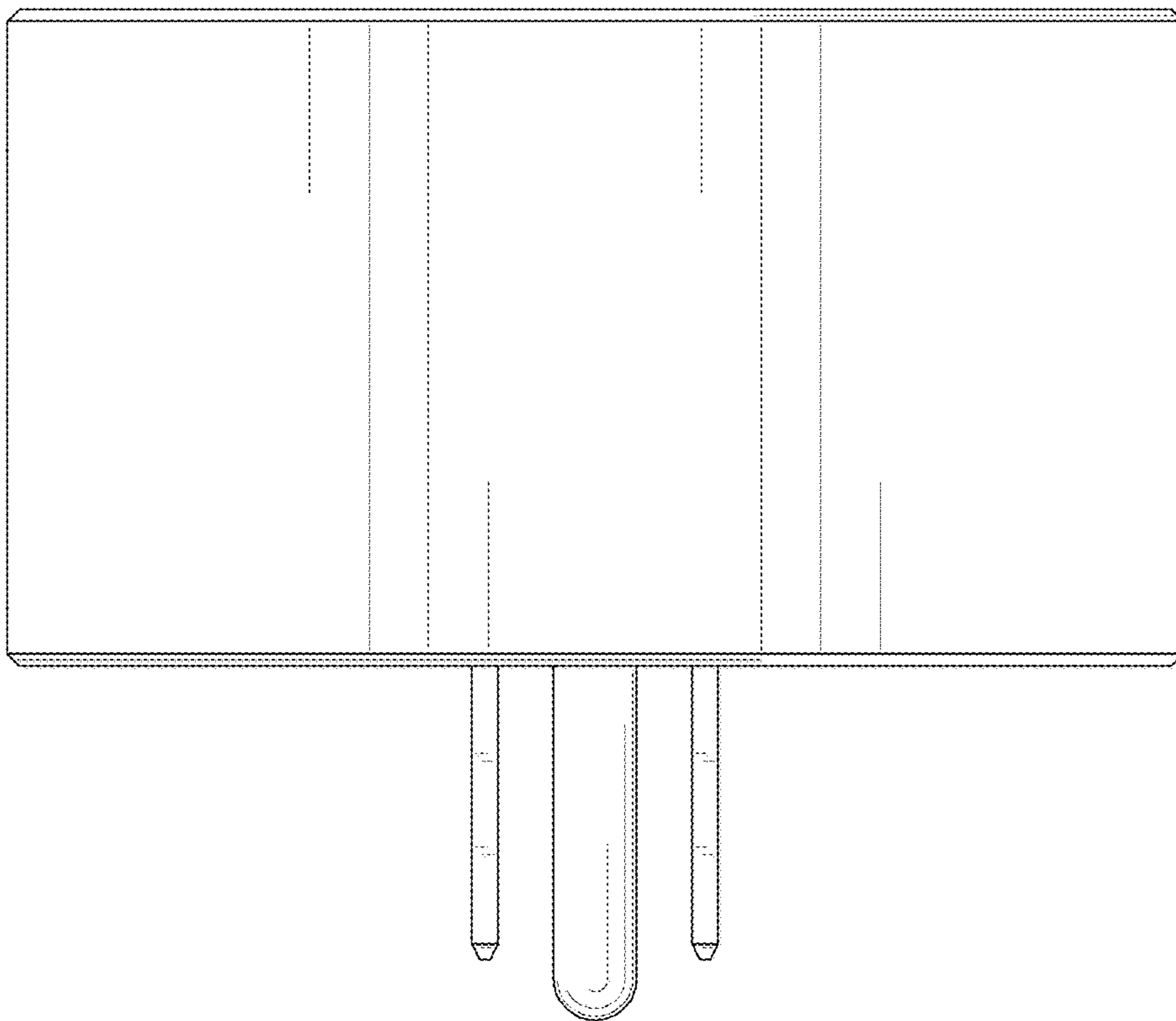


FIG. 8