



US00D848945S

(12) **United States Design Patent**
Lin

(10) **Patent No.:** **US D848,945 S**

(45) **Date of Patent:** **** May 21, 2019**

(54) **PROTECTING HOUSING FOR POWER SUPPLY OUTPUT**

(71) Applicant: **CHYNG HONG ELECTRONIC CO., LTD.**, Taichung (TW)

(72) Inventor: **Mu-Chun Lin**, Taichung (TW)

(73) Assignee: **CHYNG HONG ELECTRONIC CO., LTD.**, Taichung (TW)

(**) Term: **15 Years**

(21) Appl. No.: **29/625,756**

(22) Filed: **Nov. 13, 2017**

(51) **LOC (11) Cl.** **13-02**

(52) **U.S. Cl.**
USPC **D13/110**

(58) **Field of Classification Search**
USPC D13/101, 103, 104, 108, 110, 118, 119,
D13/152, 162, 162.1, 177, 184, 199;
D10/40; D15/5, 199
CPC A01G 25/16; A01G 25/165; A01G 25/167;
H02B 1/26; G05B 19/042; G05B
19/0426; G05B 2219/2625; G05B
2219/23043; G05B 2219/23051; G05B
2219/23297; G05B 2219/23406; G05B
2219/25085; H02M 7/00; H02M 7/003;
H02M 7/043

See application file for complete search history.

(56) **References Cited**

U.S. PATENT DOCUMENTS

D411,201 S *	6/1999	Munoz	D13/184
D430,108 S *	8/2000	Lee	D13/119
D606,033 S *	12/2009	Sonntag	D13/184
D657,310 S *	4/2012	Fahrendorff	D13/110

* cited by examiner

Primary Examiner — Derrick E Holland

(74) *Attorney, Agent, or Firm* — Ming Chow; Sinorica, LLC

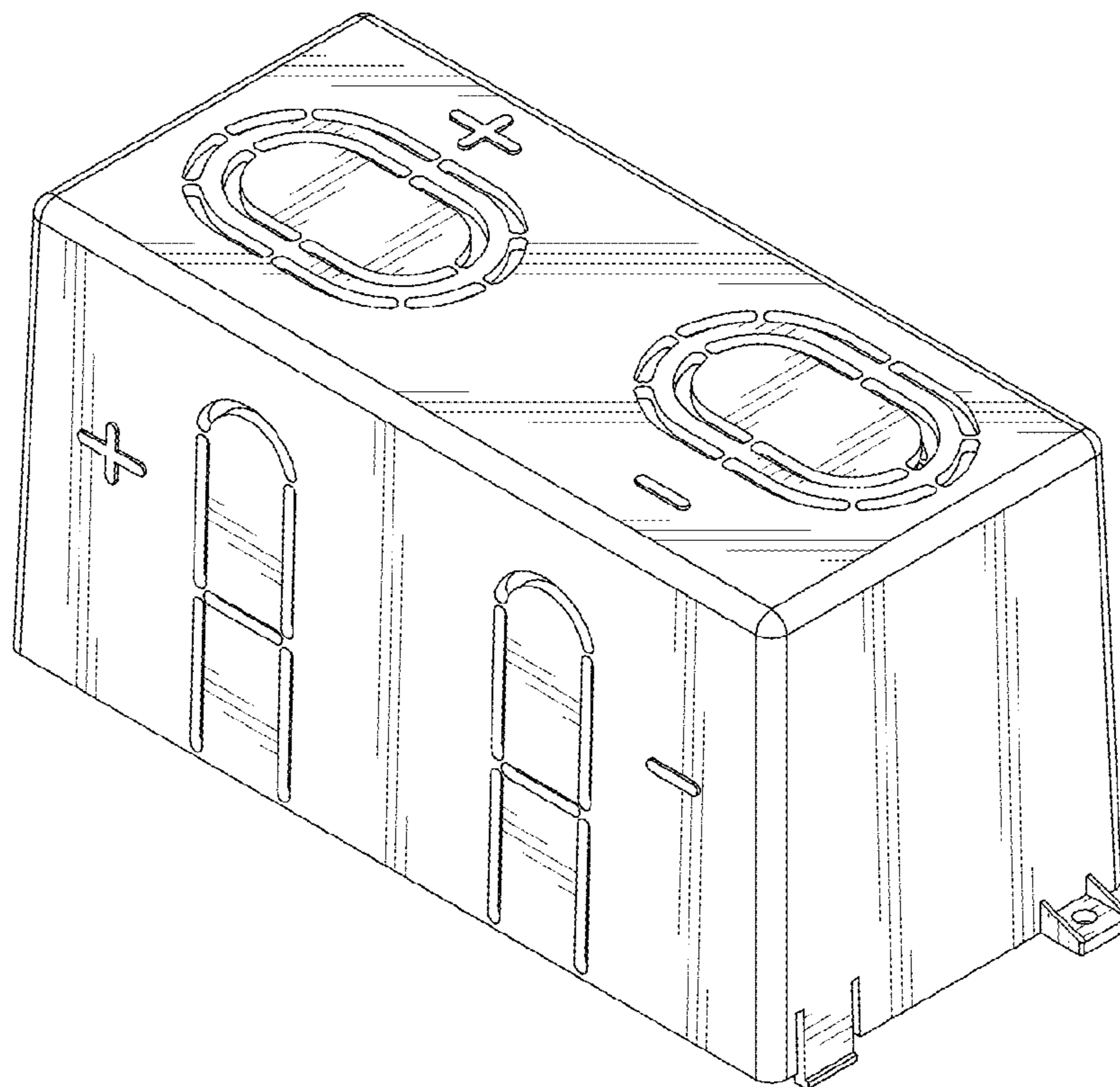
(57) **CLAIM**

I claim the ornamental design for a protecting housing for power supply output, as shown and described.

DESCRIPTION

FIG. 1 is a front perspective view of a protecting housing for power supply output showing my new design; FIG. 2 is a front elevational view thereof; FIG. 3 is a rear elevational view thereof; FIG. 4 is a left side elevational view thereof; FIG. 5 is a right side elevational view thereof; FIG. 6 is a top plan view thereof; and, FIG. 7 is a bottom plan view thereof.

1 Claim, 4 Drawing Sheets



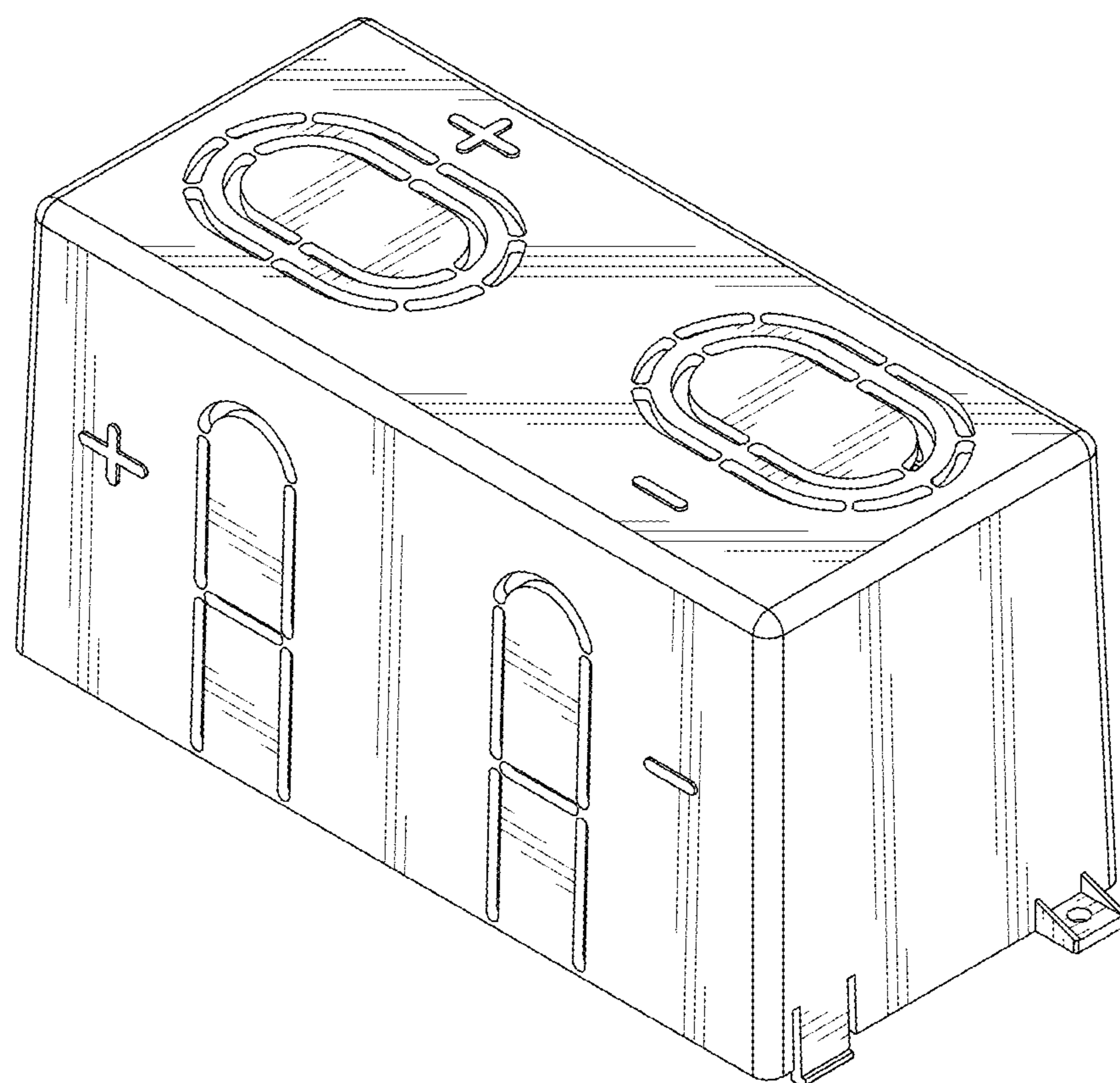


FIG. 1

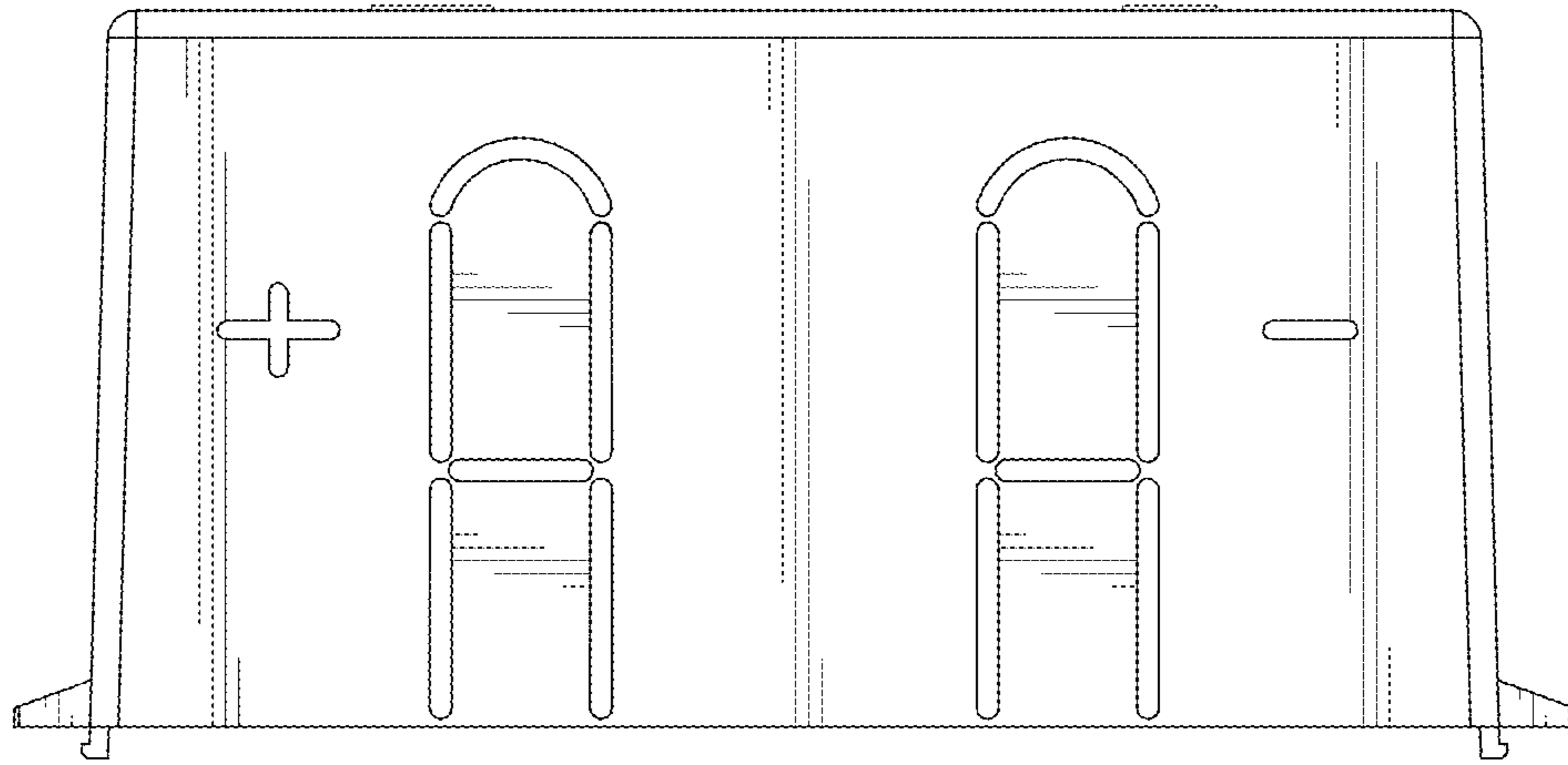


FIG. 2

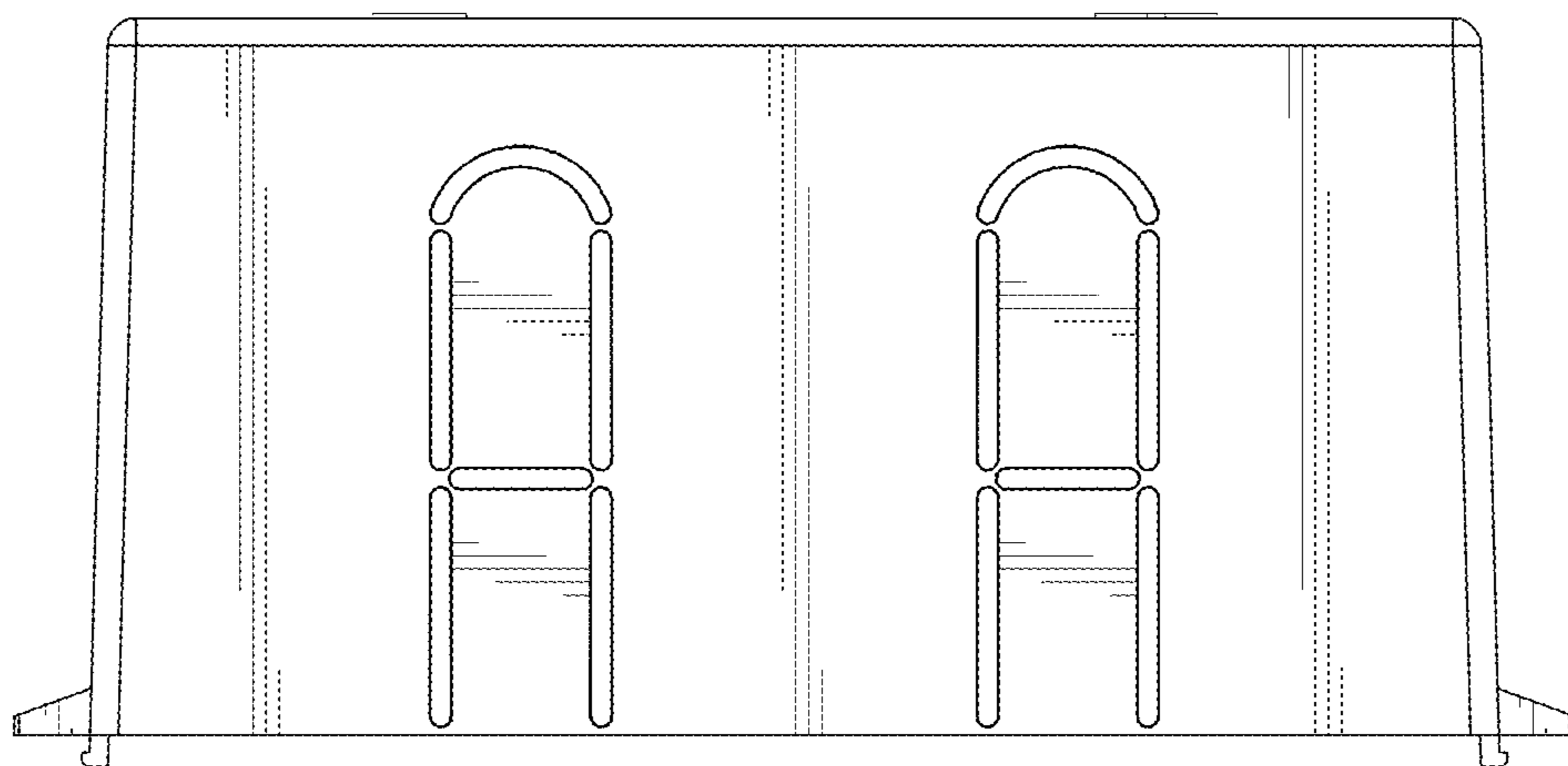


FIG. 3

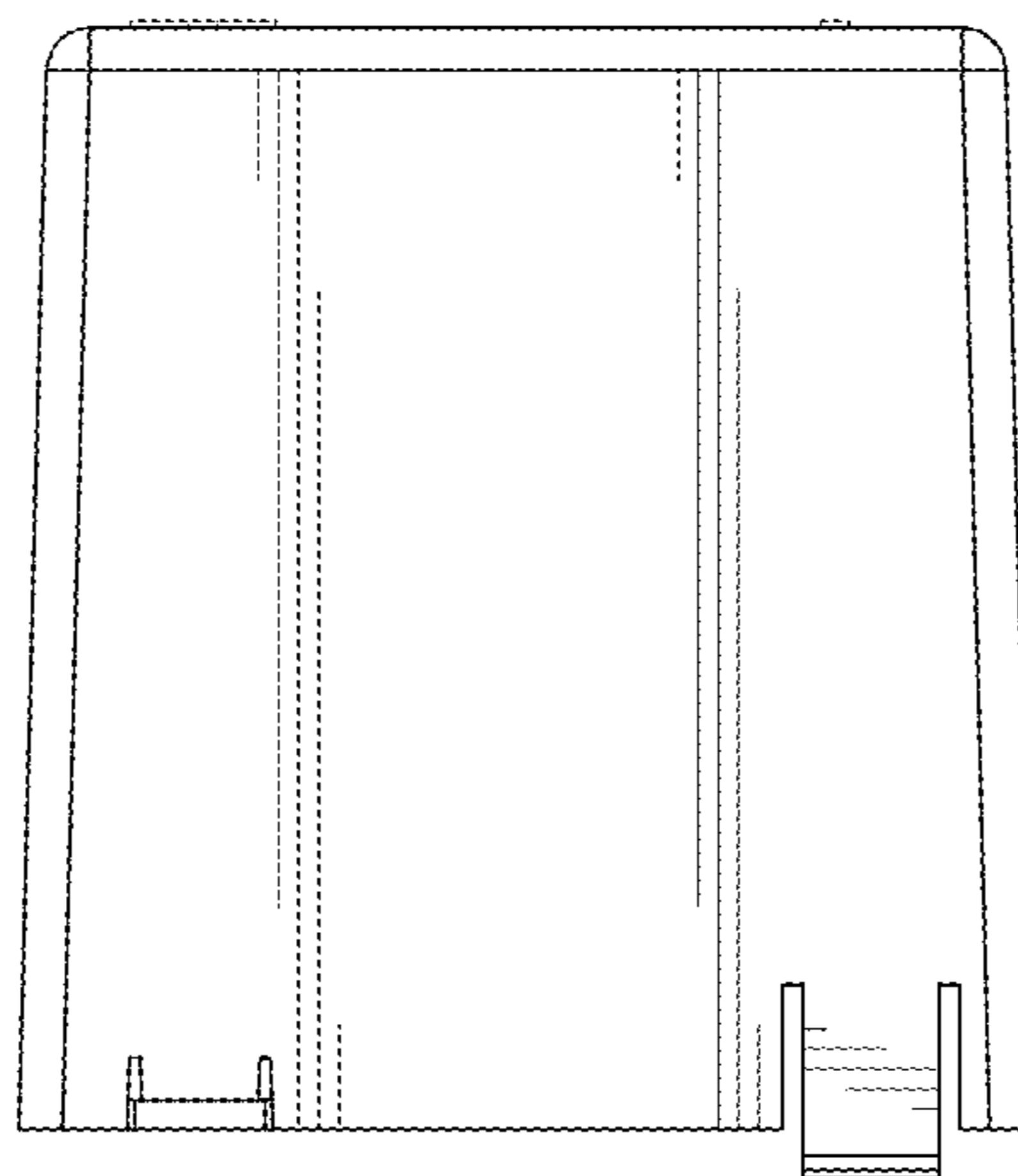


FIG. 4

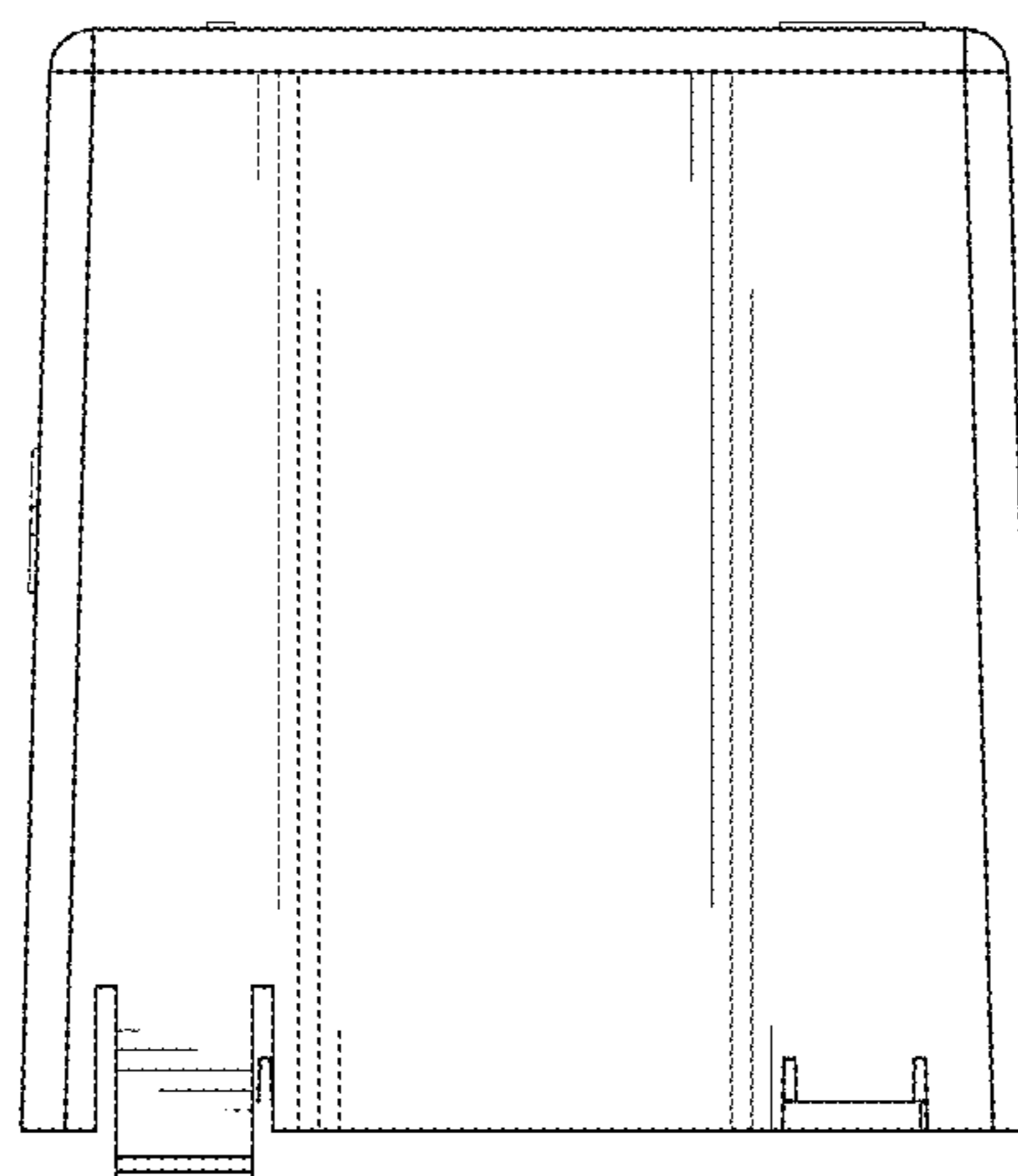


FIG. 5

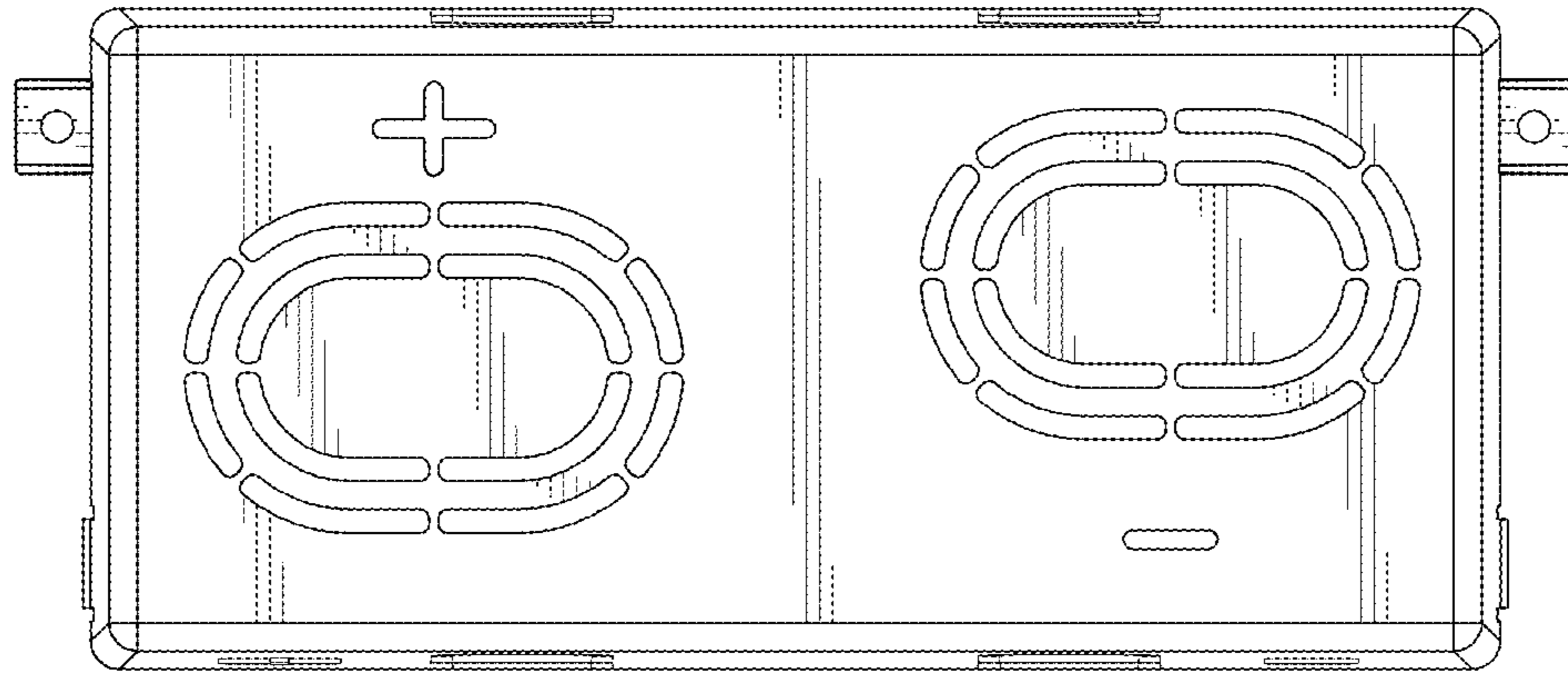


FIG. 6

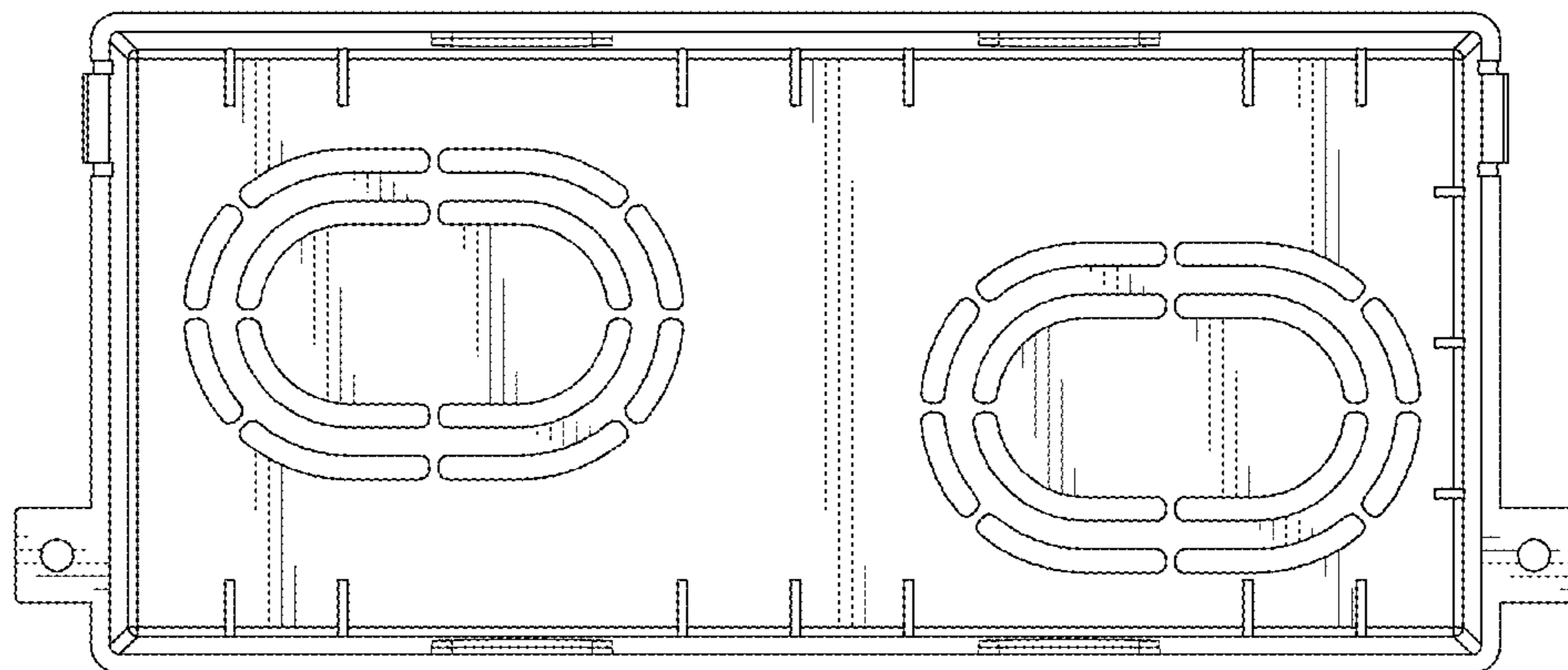


FIG. 7