



US00D848944S

(12) **United States Design Patent** (10) **Patent No.:** **US D848,944 S**
Su (45) **Date of Patent:** **** May 21, 2019**

(54) **UNICORN WIRELESS CHARGING MAT**
(71) Applicant: **Covves LLC**, Wilmington, CA (US)
(72) Inventor: **Benson Su**, Torrance, CA (US)
(73) Assignee: **Covves, LLC**, Torrance, CA (US)
(**) Term: **15 Years**

D694,707 S * 12/2013 Zeng D13/108
D701,964 S * 4/2014 Yoneta D24/187
D705,375 S * 5/2014 Rubey D21/803
D736,706 S * 8/2015 Huang D13/108
D777,331 S * 1/2017 Jayalath D14/344
D783,370 S * 4/2017 Su D21/808
D787,617 S * 5/2017 Krepack
D799,627 S * 10/2017 de Grasse D21/808
D826,151 S * 8/2018 Akana D13/108

(21) Appl. No.: **29/623,341**
(22) Filed: **Oct. 24, 2017**
(51) **LOC (11) Cl.** **13-02**
(52) **U.S. Cl.**
USPC **D13/108**
(58) **Field of Classification Search**
USPC D13/102–110, 118–119, 184, 199;
D14/356, 432, 447, 598; D21/803, 808,
D21/809; D6/598
CPC Y02E 60/10; Y02E 60/12; Y02E 60/122;
Y02E 60/124; Y02E 60/50; H01M 2/02;
H01M 2/022; H01M 2/0202; H01M
2/0207; H01M 2/0212; H01M 2/1061;
H01M 2/1022; H01M 2/1055; H01M
2/1066; H01M 2/105; H01M 2/20; H01M
2/202; H01M 2/204; H01M 2/206; H01M
10/44; H01M 10/46; H01M 10/465;
H01M 10/482; H01M 2200/30; H01M
2250/30; H01M 2250/40; H02J 7/00;
H02J 7/0003; H02J 7/0011; H02J 7/0013;
H02J 7/0054; H02J 7/0055; H02J 7/0057;
H02J 2007/0062
See application file for complete search history.

(56) **References Cited**
U.S. PATENT DOCUMENTS
D293,011 S * 12/1987 Wolfe D12/316
D301,910 S * 6/1989 Wolfe D21/808
D302,718 S * 8/1989 Wolfe D21/808
D302,996 S * 8/1989 Wolfe D21/808
D611,408 S * 3/2010 Ferber D13/108

OTHER PUBLICATIONS

TiKeDa Lightweight Mini Unicorn Power Bank Portable Charger, TiKeDa, reviewed on Aug. 8, 2017, retrieved on Dec. 16, 2018, retrieved from the Internet URL: https://www.amazon.com/Lightweight-Powerbank-External-Portable-Compatible/dp/B06ZZG6K2J/ref=sr_1_2?ie=UTF8&qid=1544984774&sr=8-2&keywords=unicorn+wireless+charger.
<http://www.mimosainc.com>, Narwhal Whale Pool Float; downloaded from web Jul. 12, 2017.

* cited by examiner

Primary Examiner — Jennifer Rivard
Assistant Examiner — Alison M Ofstun
(74) *Attorney, Agent, or Firm* — Sean Lynch; McArthur Law Firm

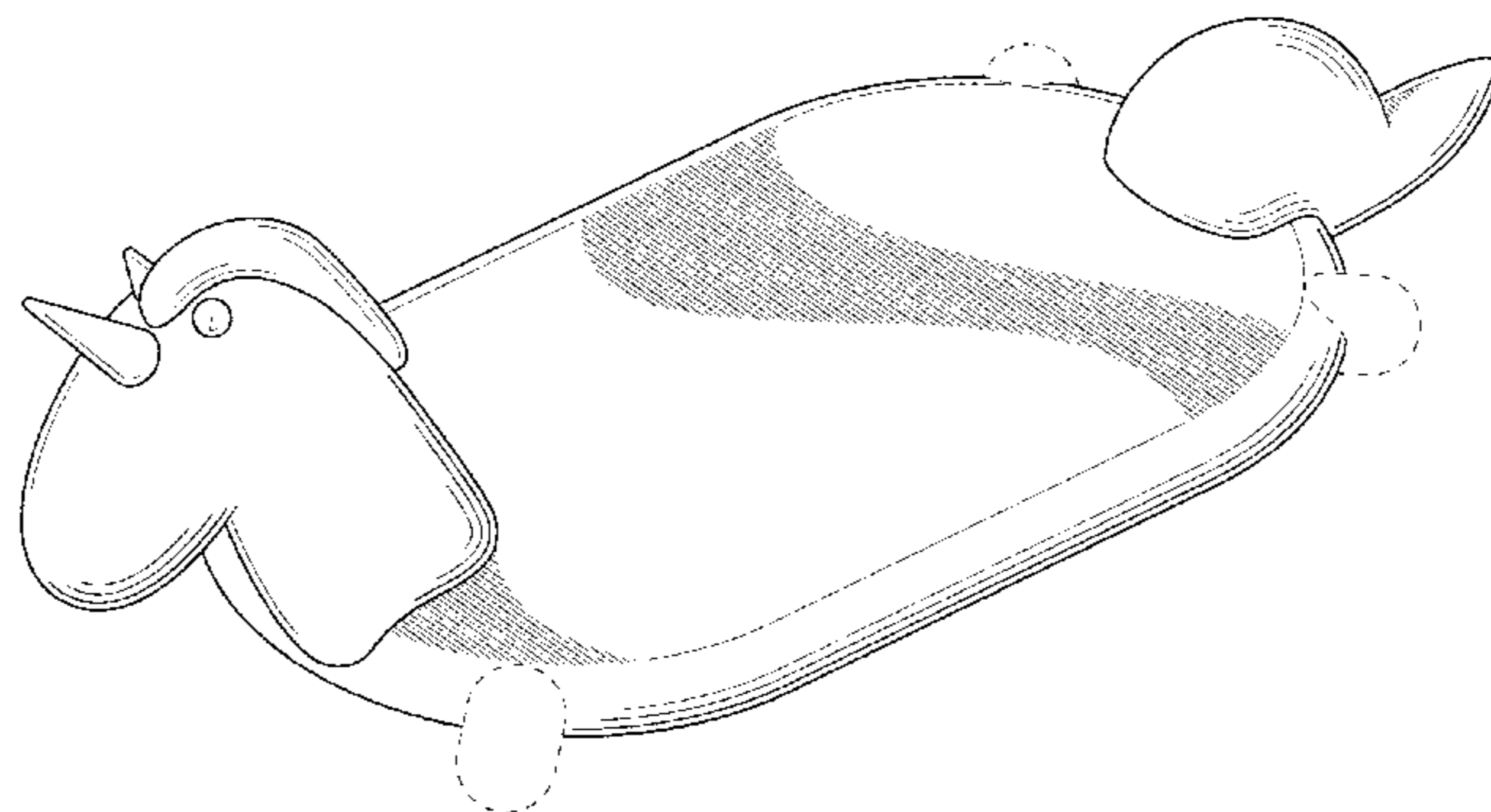
(57) **CLAIM**

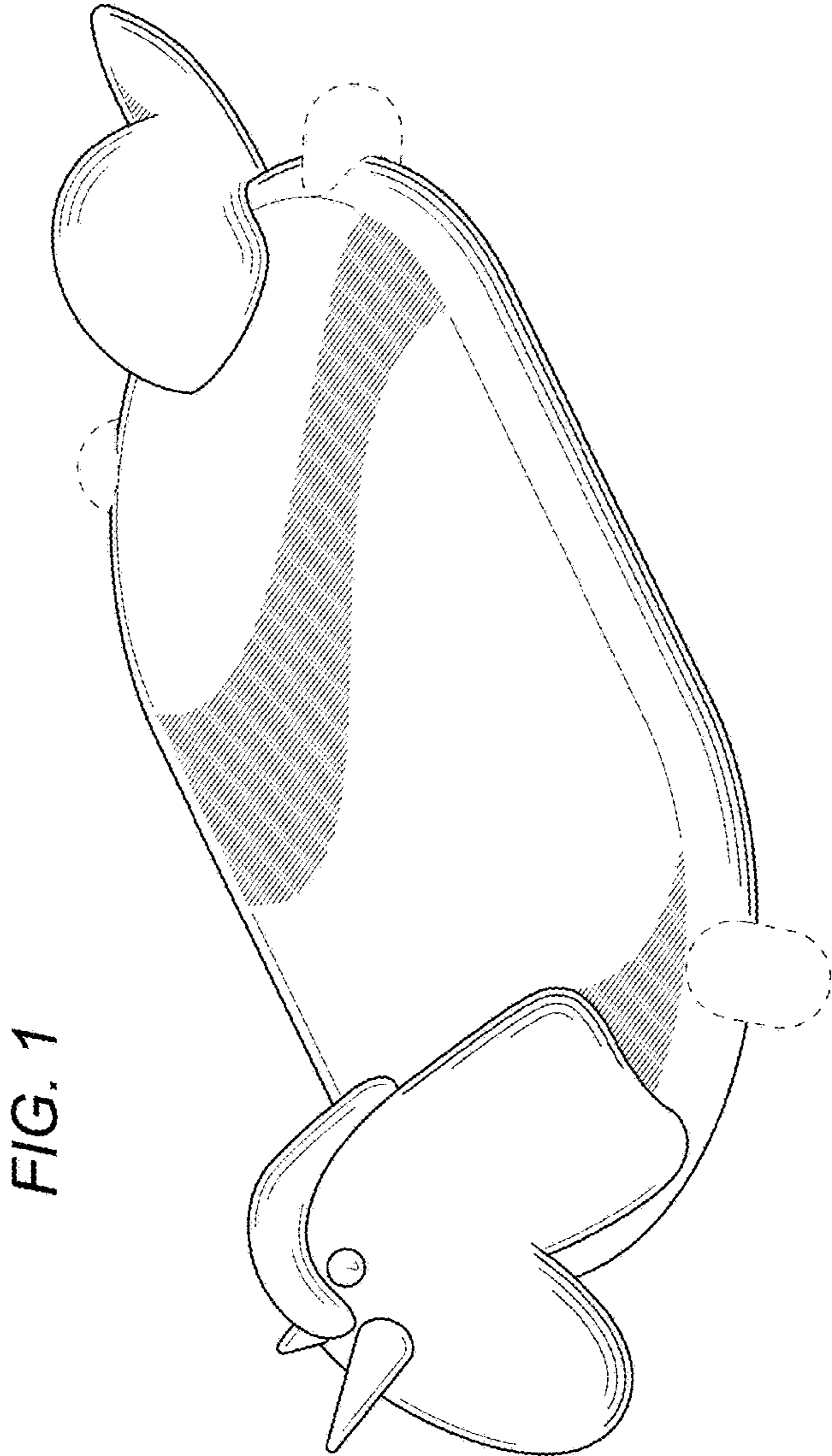
The ornamental design for a Unicorn wireless charging mat, as shown and described.

DESCRIPTION

FIG. 1 is a top, front, right-side perspective view of the Unicorn wireless charging mat.
FIG. 2 is a front view.
FIG. 3 is a rear view.
FIG. 4 is a right-side view.
FIG. 5 is a top plan view; and,
FIG. 6 is a bottom plan view.
In the drawings, the broken lines showing the feet form no part of the claimed design.

1 Claim, 3 Drawing Sheets





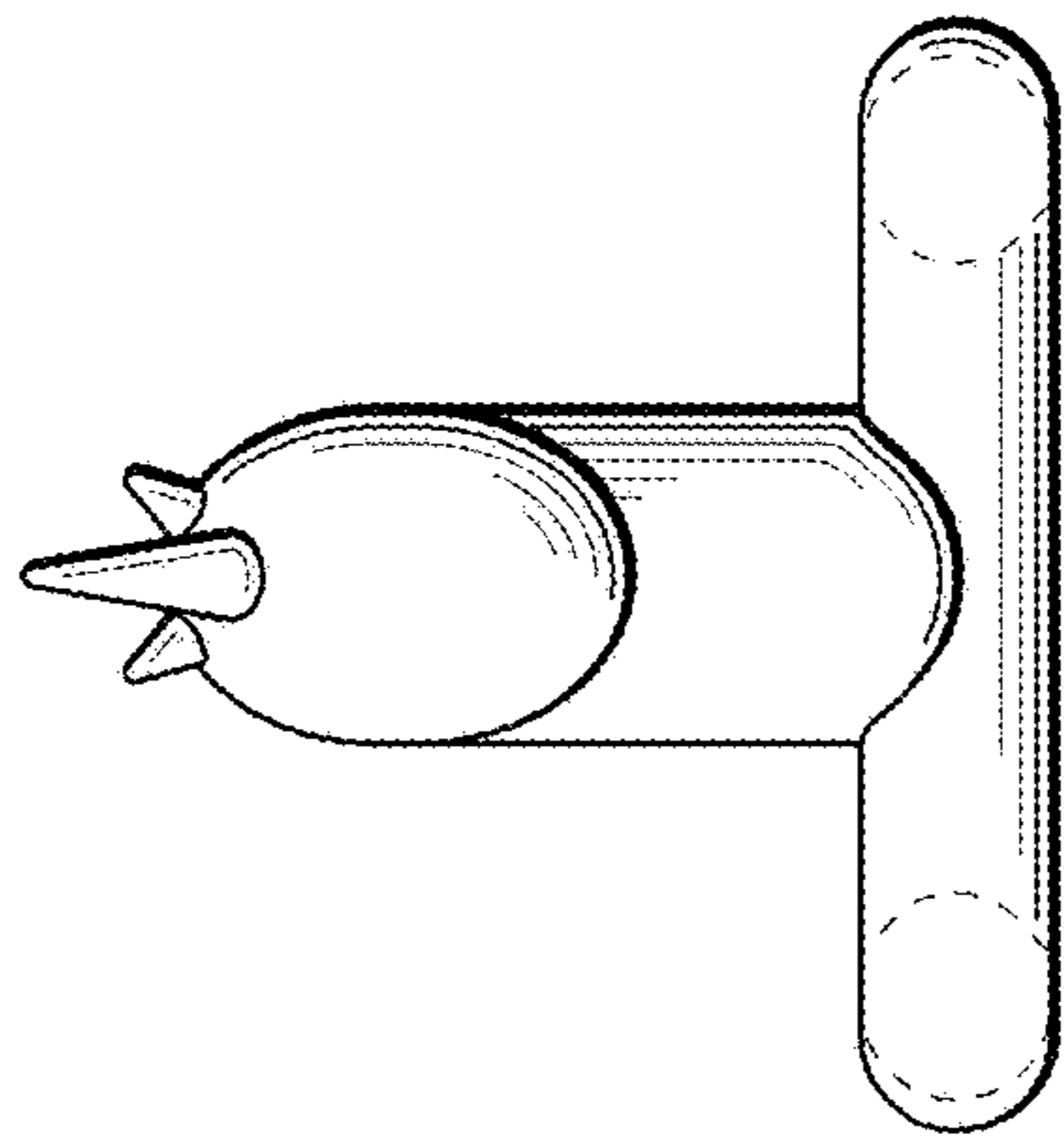


FIG. 2

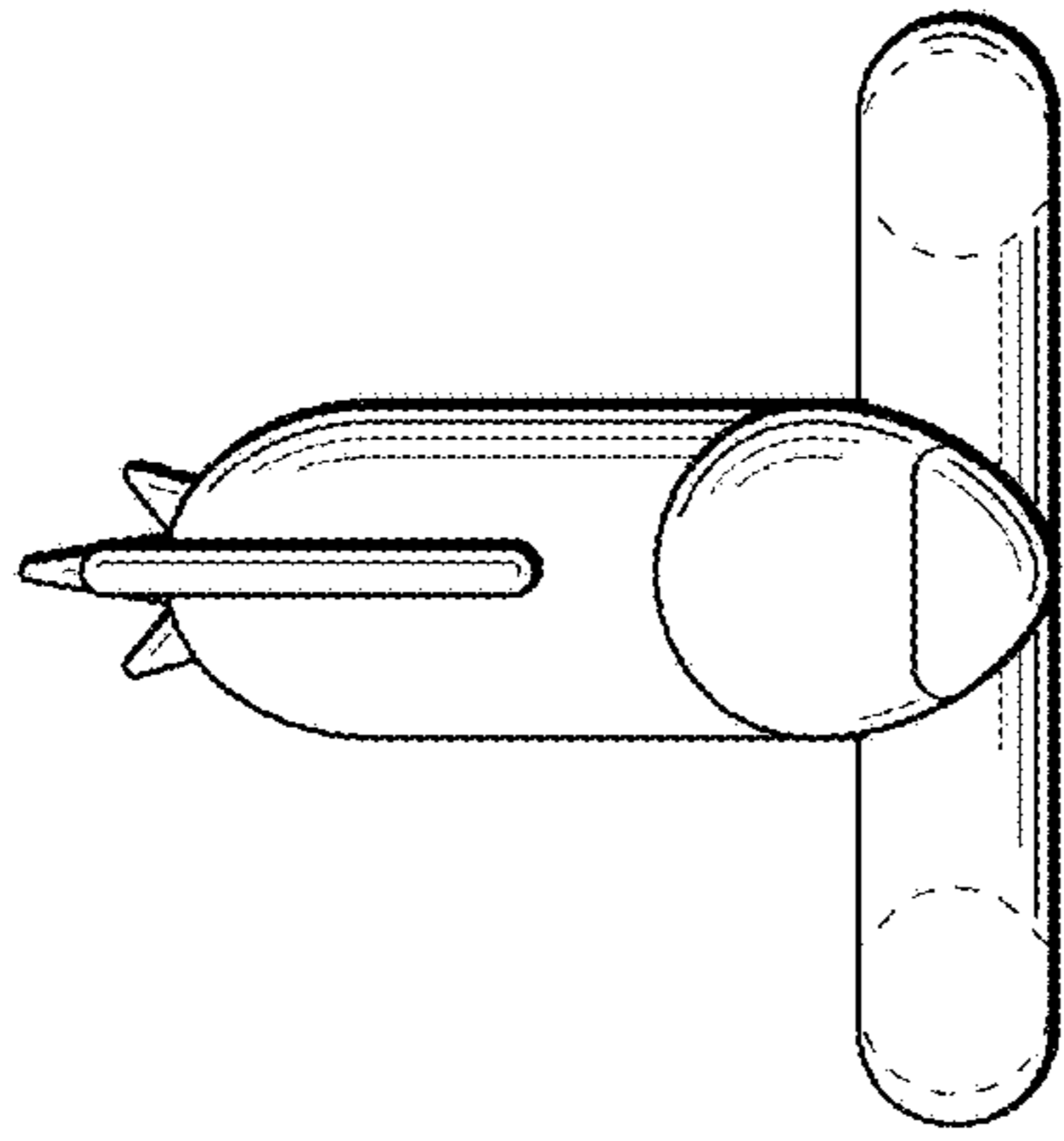


FIG. 3

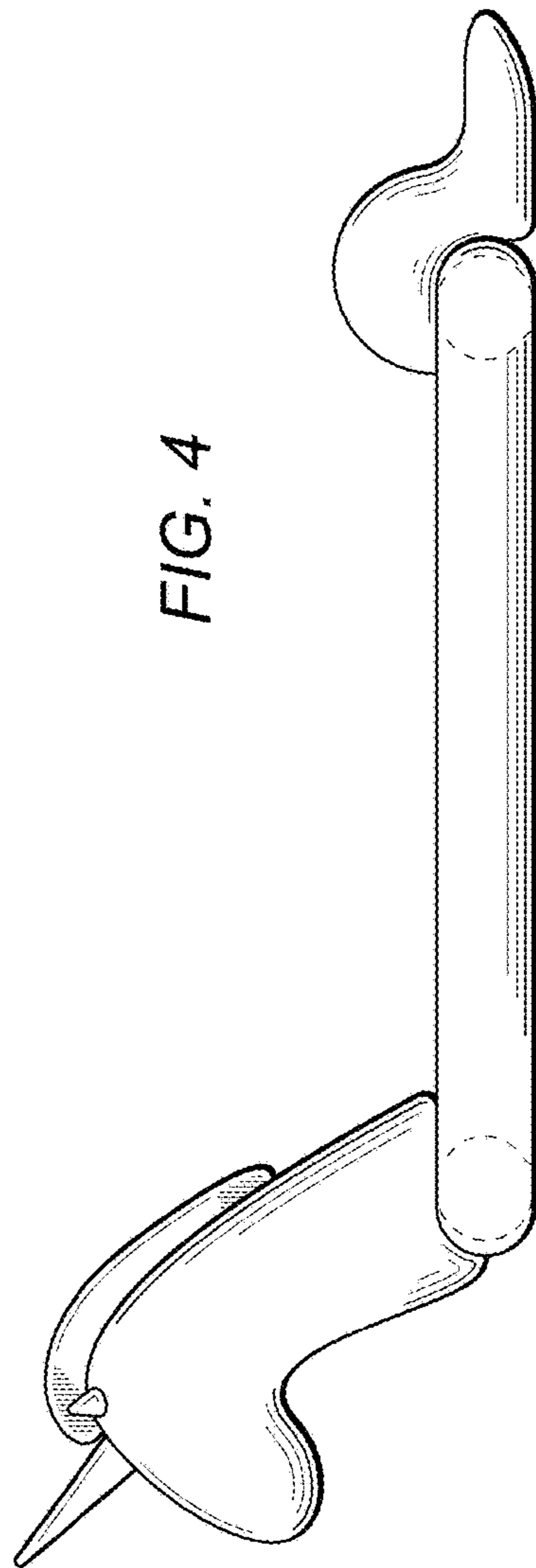


FIG. 4

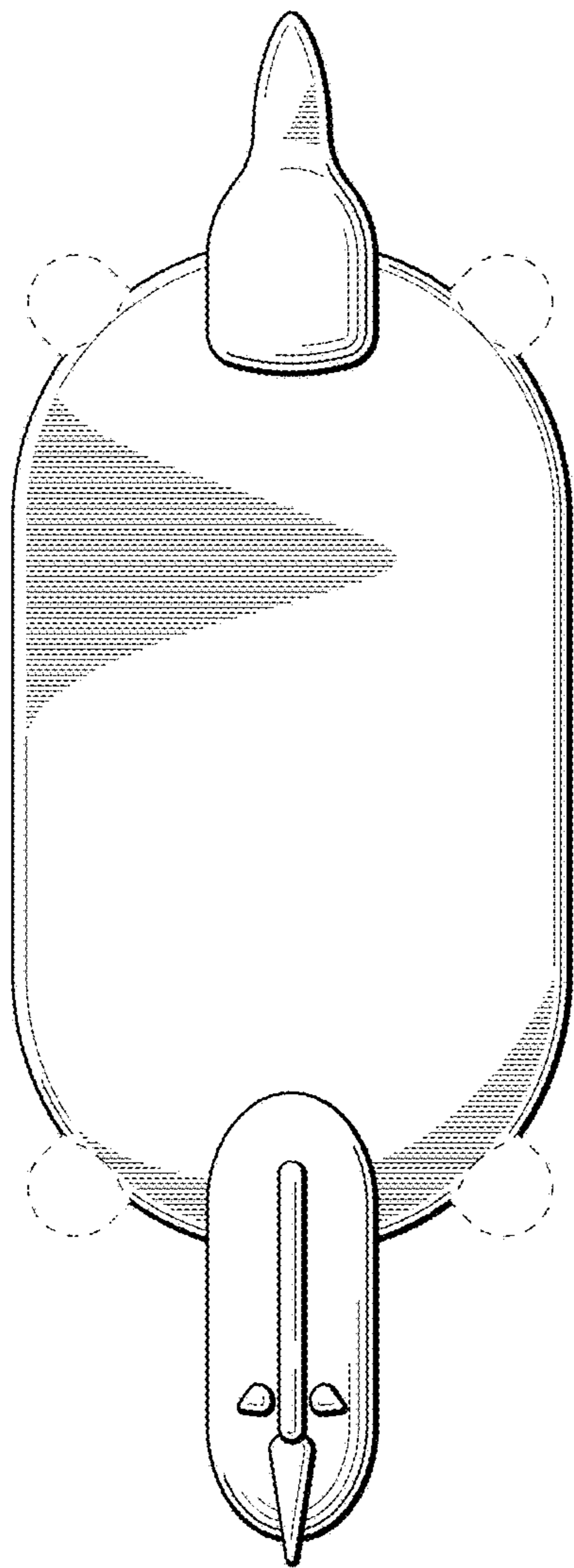


FIG. 5

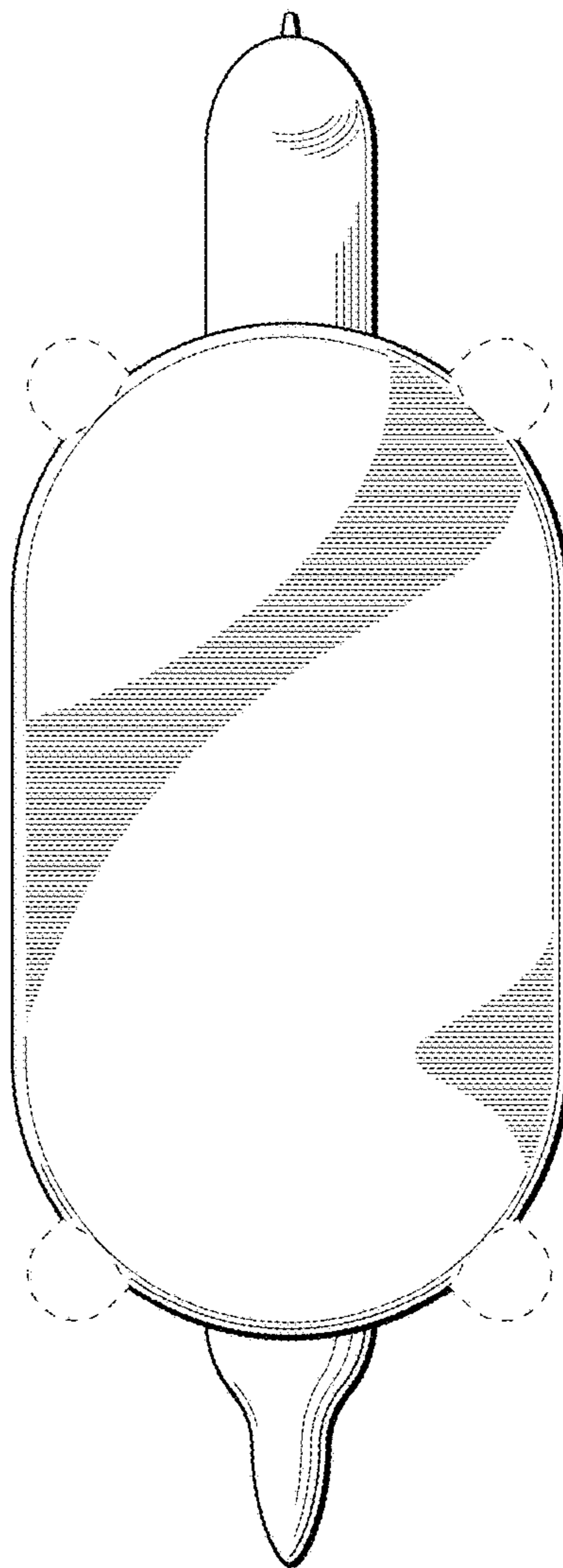


FIG. 6