



US00D848938S

(12) **United States Design Patent**
Fujioka

(10) **Patent No.:** **US D848,938 S**

(45) **Date of Patent:** **** May 21, 2019**

(54) **TIRE**

(71) Applicant: **Toyo Tire & Rubber Co., Ltd.**,
Itami-shi, Hyogo (JP)

(72) Inventor: **Tsuyoshi Fujioka**, Itami (JP)

(73) Assignee: **Toyo Tire & Rubber Co., Ltd.**,
Itami-shi, Hyogo (JP)

(**) Term: **15 Years**

(21) Appl. No.: **29/627,337**

(22) Filed: **Nov. 27, 2017**

(30) **Foreign Application Priority Data**

May 31, 2017 (JP) 2017-011620

(51) **LOC (11) Cl.** **12-15**

(52) **U.S. Cl.**
USPC **D12/600**

(58) **Field of Classification Search**
USPC D12/568-604
CPC Y10T 152/10027; B60C 1/0016; B60C
11/0306; B60C 11/0302; B60C 3/06;
B60C 9/17
See application file for complete search history.

(56) **References Cited**

U.S. PATENT DOCUMENTS

D308,188 S	*	5/1990	Hinrichsen	D12/594
D498,455 S		11/2004	Nonaka		
D637,149 S	*	5/2011	Yamaguchi	D12/579
D662,036 S	*	6/2012	Okii	D12/564
D667,368 S	*	9/2012	Bonko	D12/600
D713,783 S	*	9/2014	Buchinger-Barnstorf	...	D12/600

D735,120 S	*	7/2015	Oberlin	D12/594
D739,813 S	*	9/2015	Moore	D12/600
D746,767 S	*	1/2016	Koog	D12/600
D771,557 S	*	11/2016	Leocadio	D12/594
D776,607 S	*	1/2017	Conzett	D12/600
D780,681 S	*	3/2017	Krier	D12/600
D791,689 S	*	7/2017	Schuessler	D12/594

FOREIGN PATENT DOCUMENTS

JP 1527679 S 6/2015

* cited by examiner

Primary Examiner — Karen K Kearney

Assistant Examiner — John A Voytek

(74) *Attorney, Agent, or Firm* — Sterne, Kessler,
Goldstein & Fox P.L.L.C.

(57) **CLAIM**

The ornamental design for a tire, as shown and described.

DESCRIPTION

FIG. 1 is a front perspective view of a tire showing the claimed design;

FIG. 2 is a front view thereof;

FIG. 3 is a rear view thereof;

FIG. 4 is a top plan view thereof, the bottom plan view being the same;

FIG. 5 is a right side view thereof;

FIG. 6 is a left side view thereof;

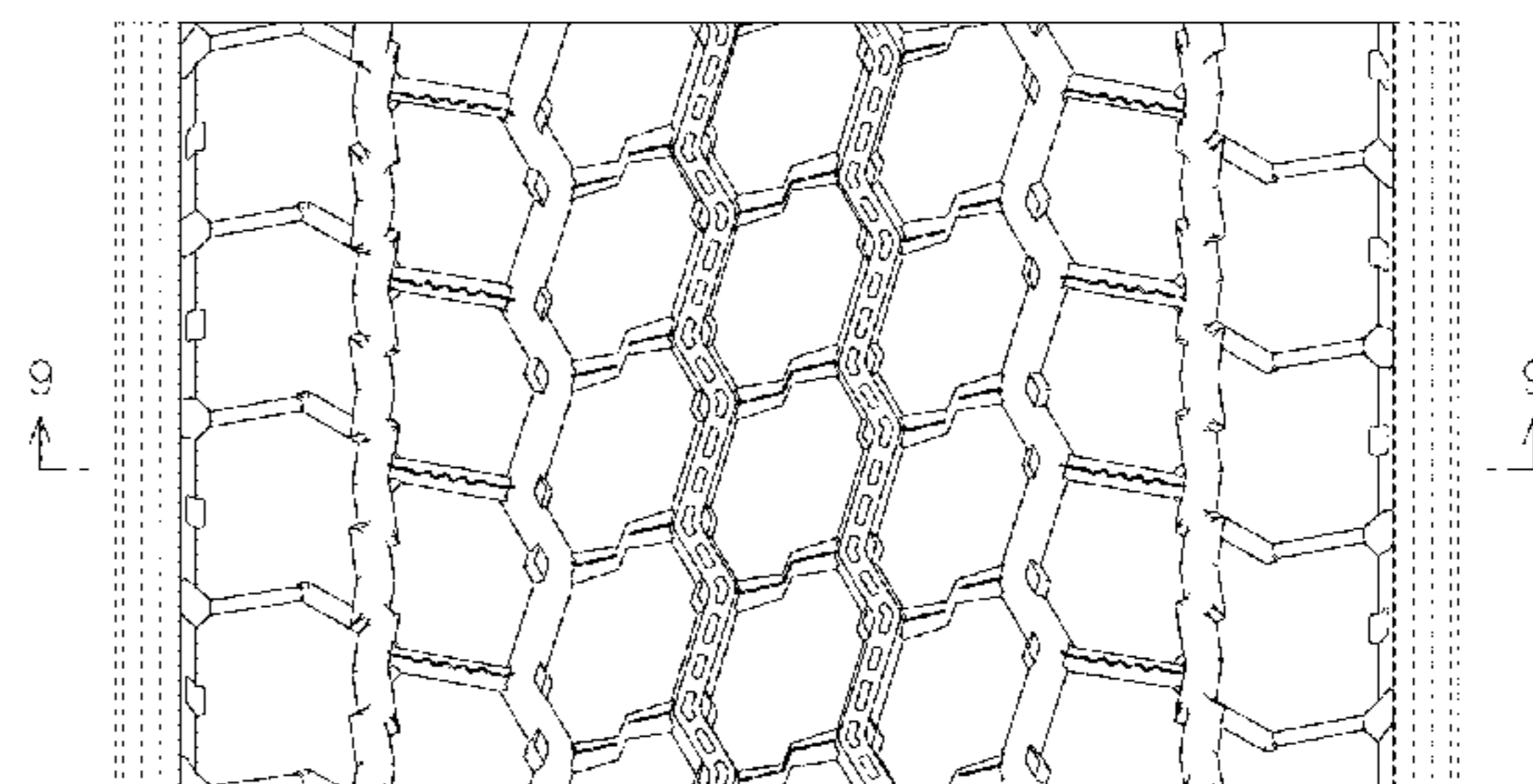
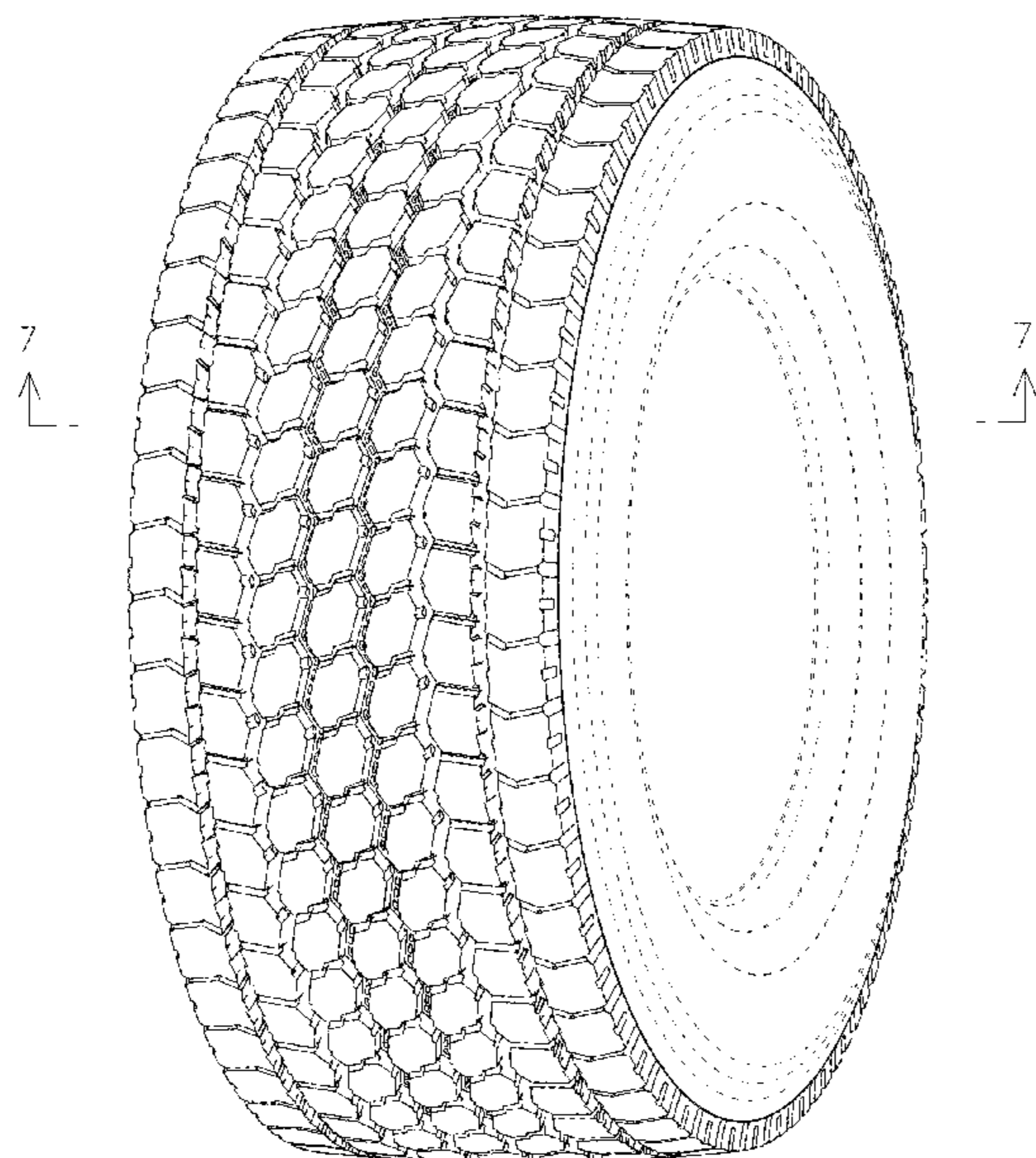
FIG. 7 is an enlarged view taken along line 7-7 in FIG. 1;

FIG. 8 is an enlarged view of the portion 8-8 in FIG. 2; and,

FIG. 9 is a cross-sectional view taken along line 9-9 in FIG. 8.

In the drawings, the broken lines show portions of the tire that form no part of the claimed design.

1 Claim, 9 Drawing Sheets



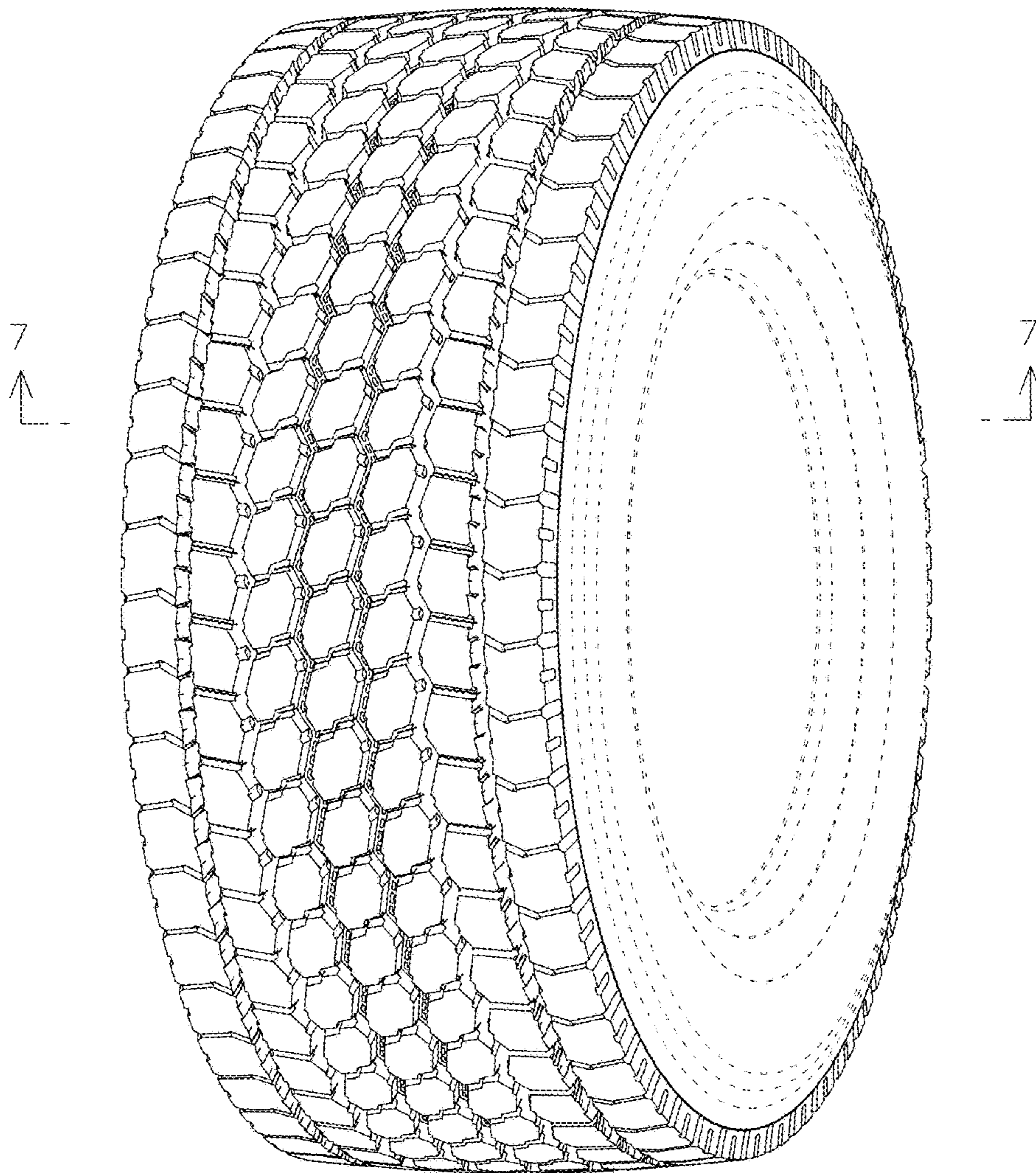


FIG. 1

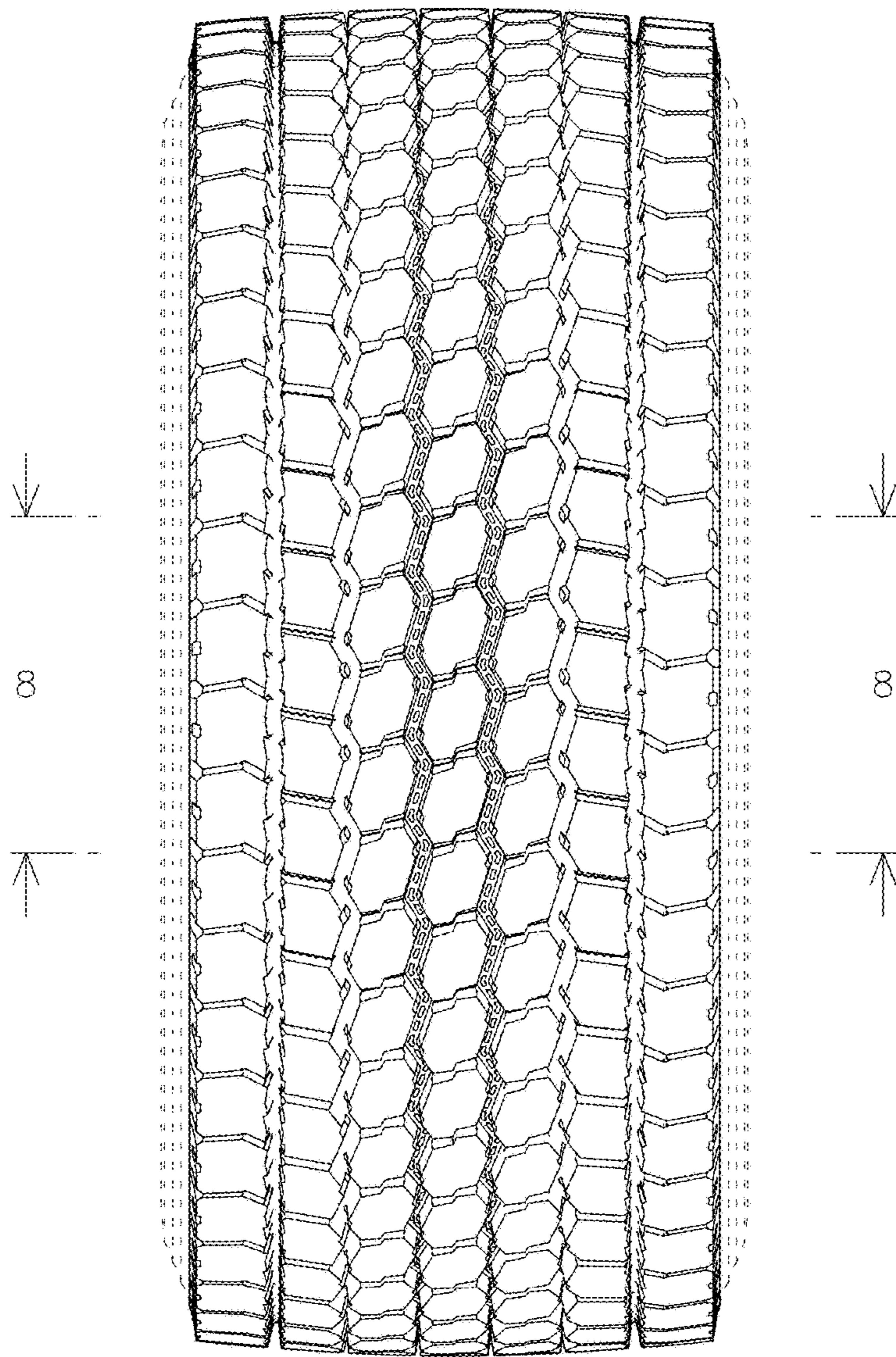


FIG. 2

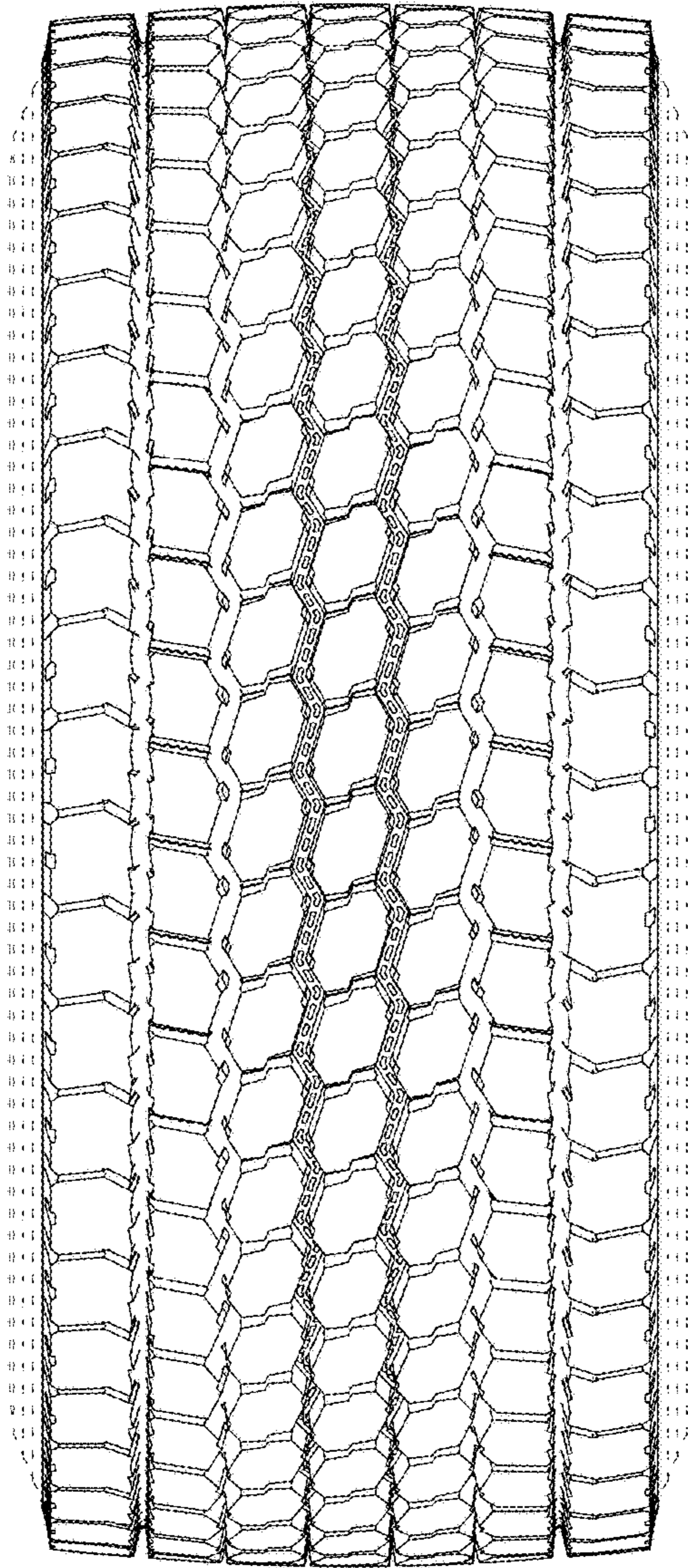


FIG. 3

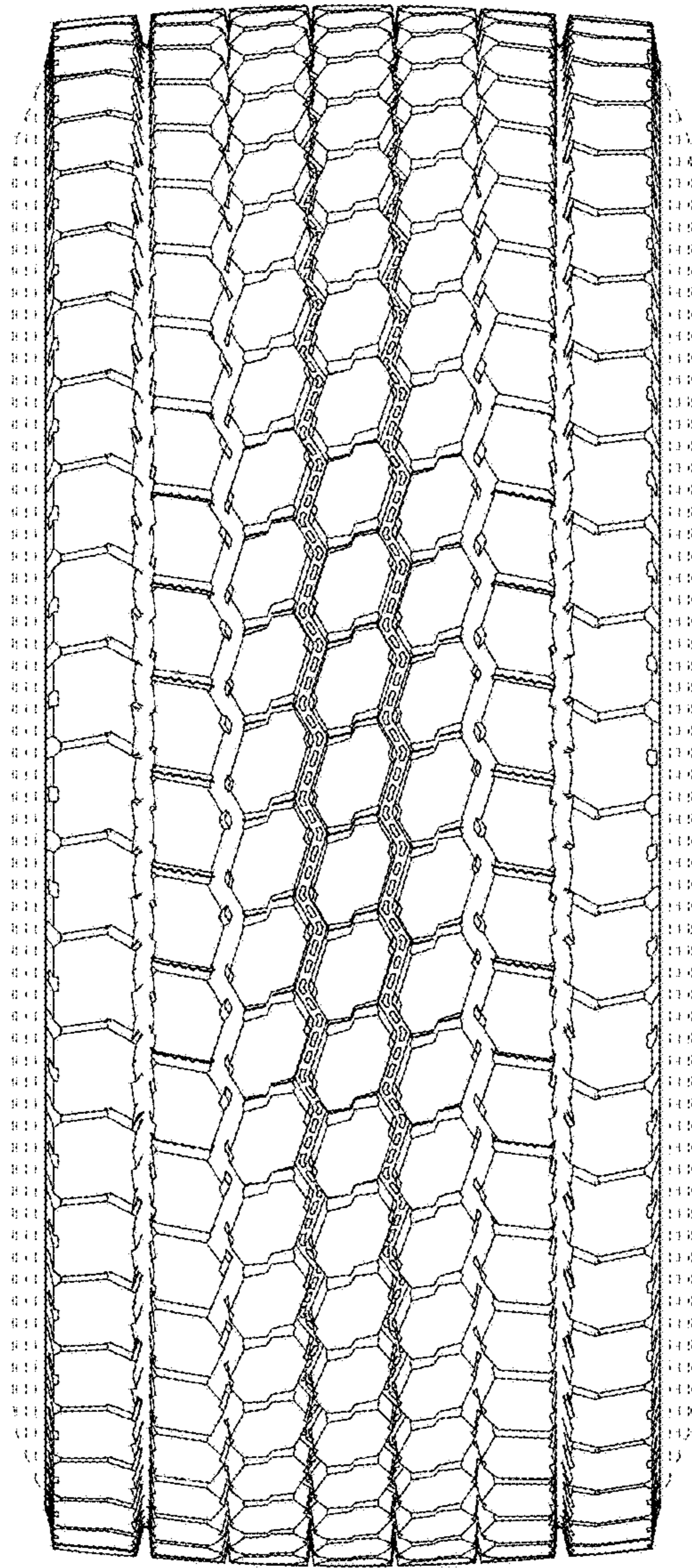


FIG. 4

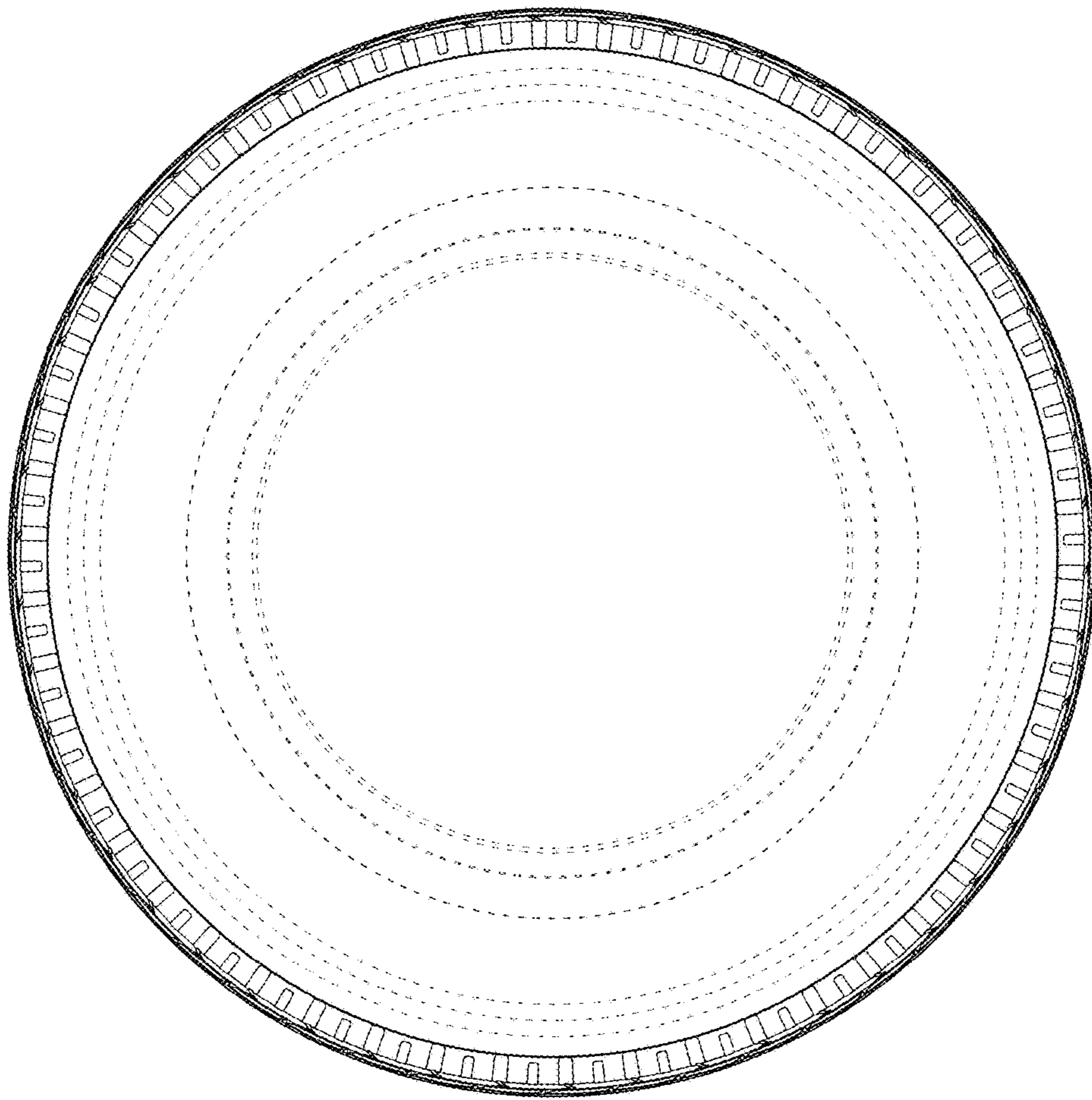


FIG. 5

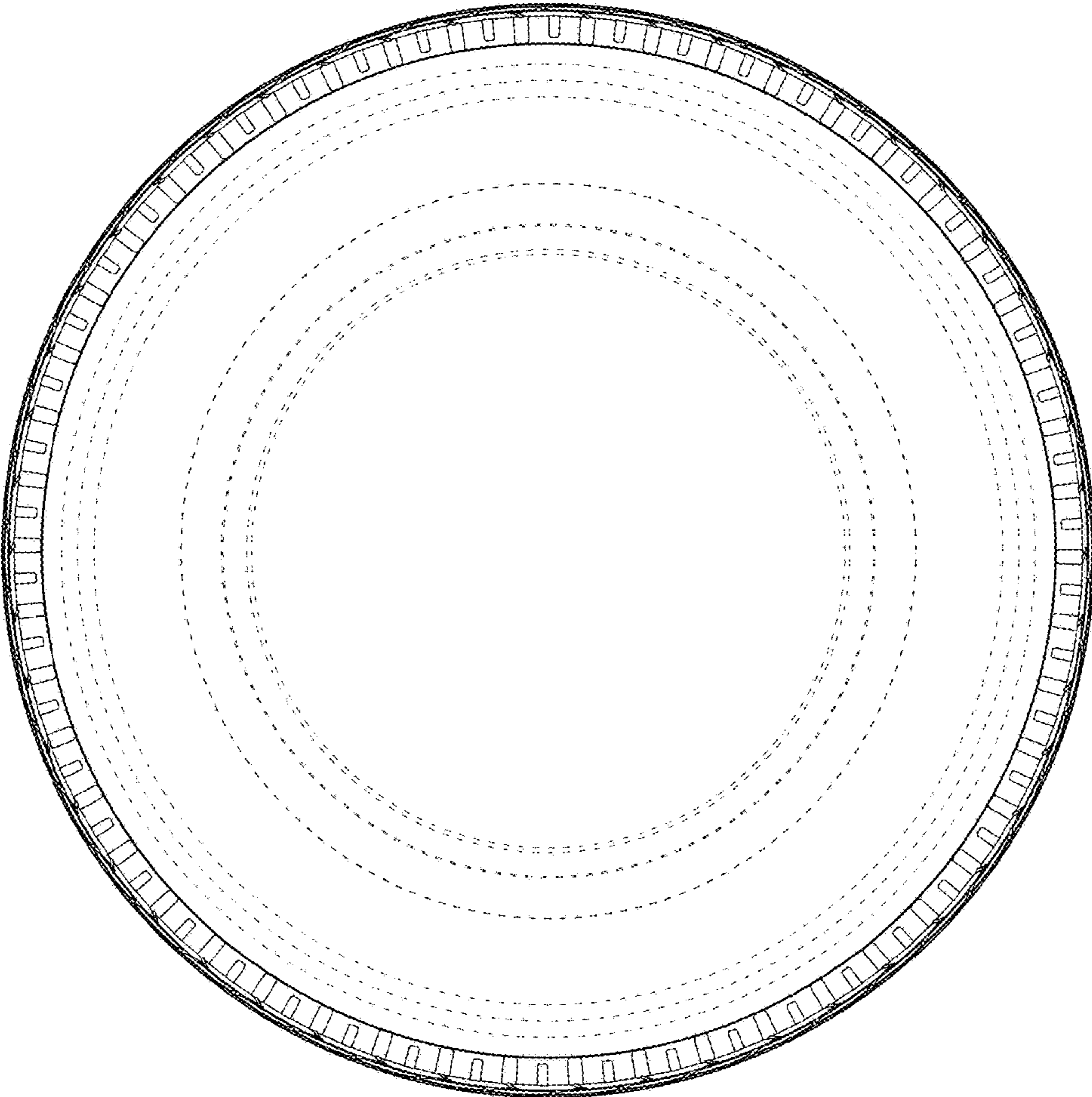


FIG. 6

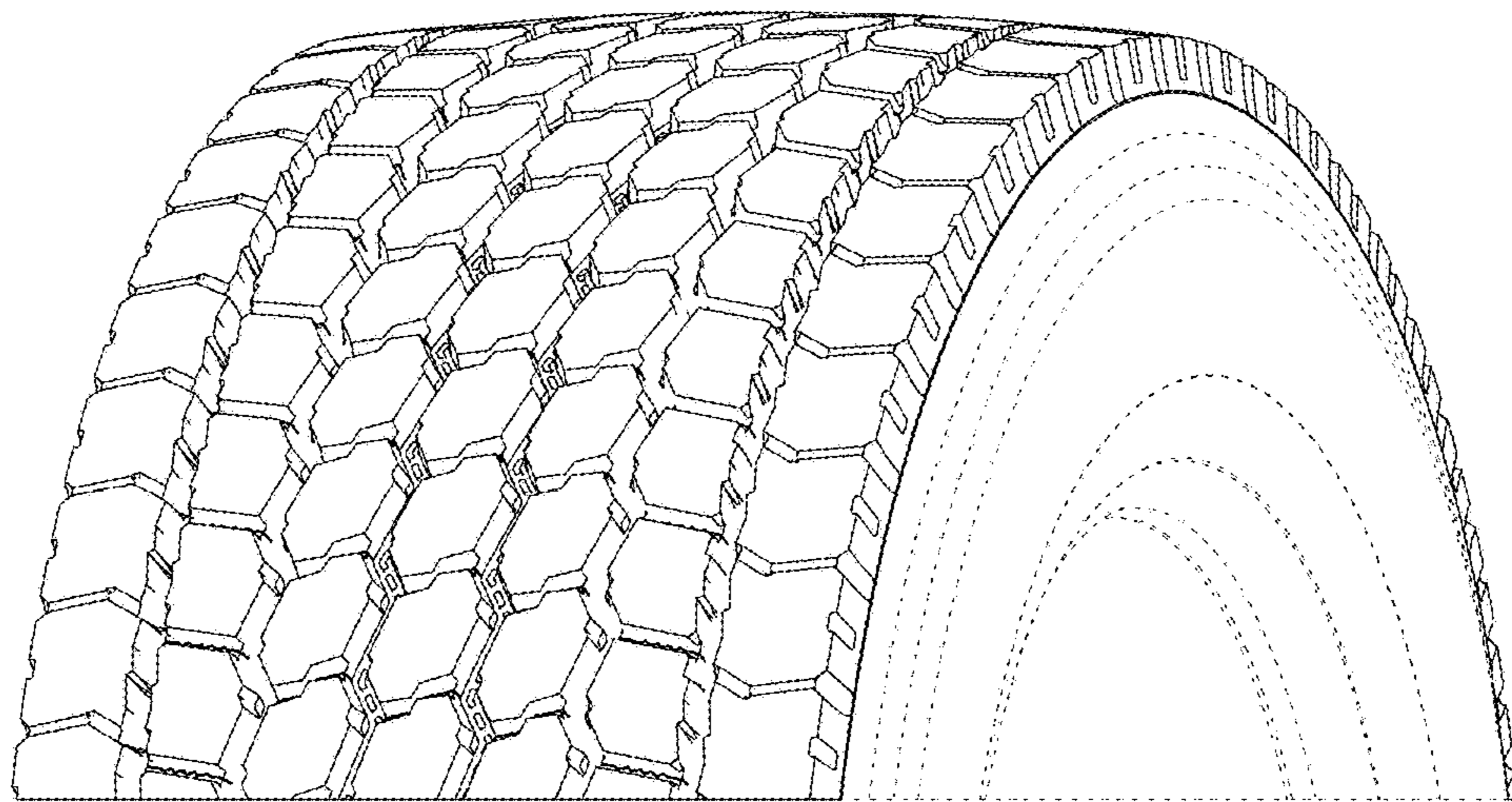


FIG. 7

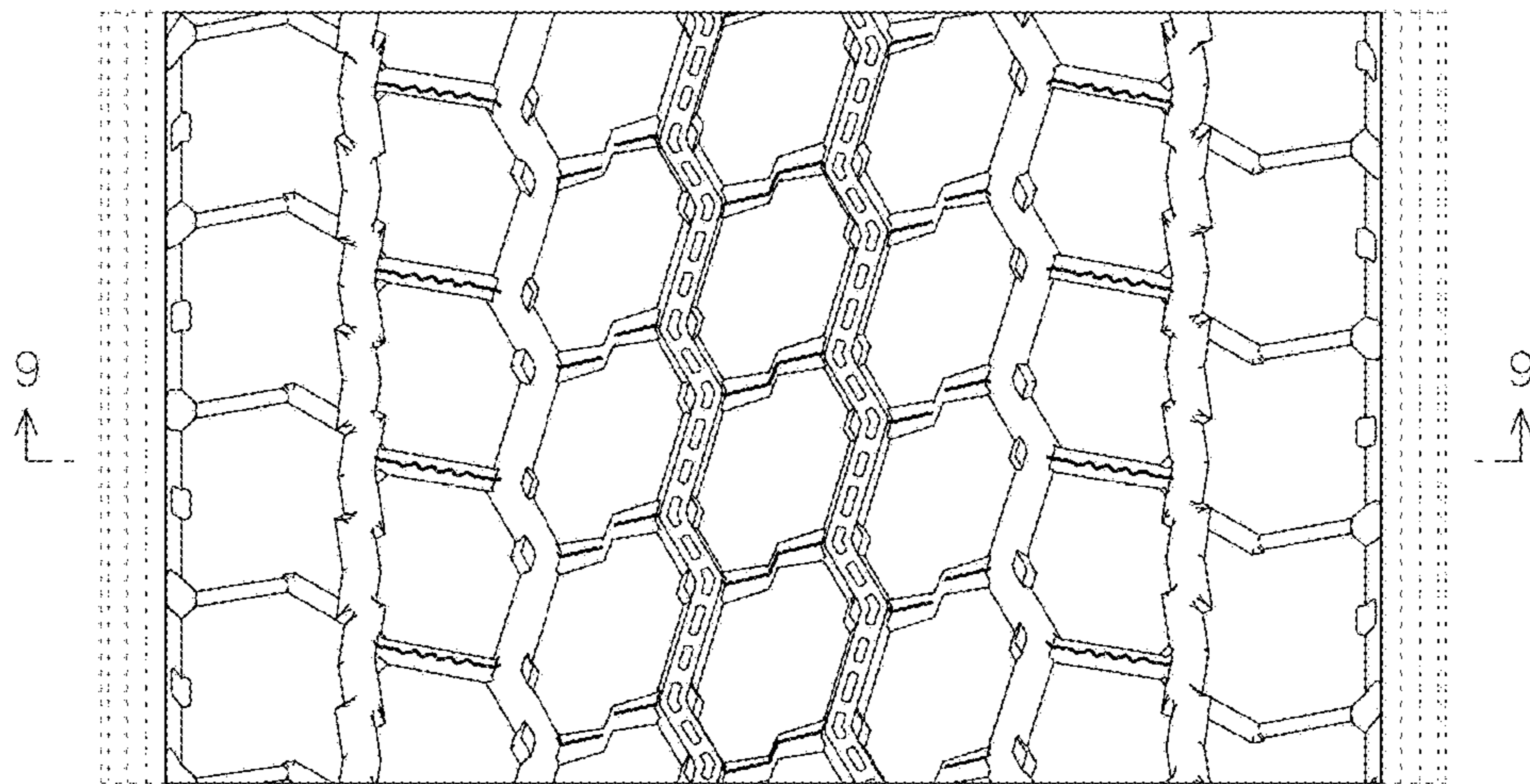


FIG. 8

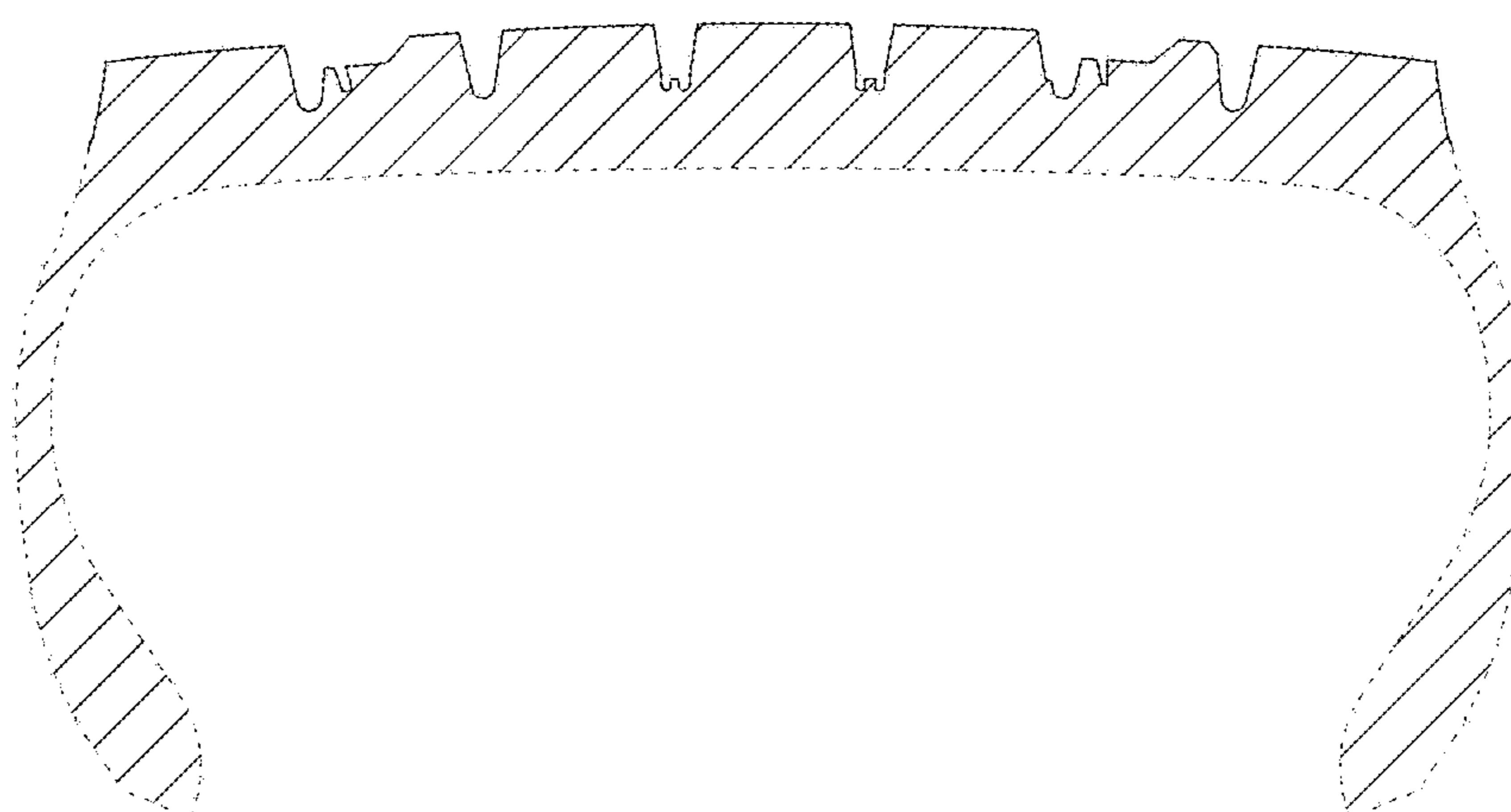


FIG. 9